



# VIDEO DISC PLAYER

## Model **VIP1000**

### INSTRUCTION MANUAL



THIS VIDEO DISC PLAYER IS A CED TYPE VIDEO DISC PLAYER. FOR PROPER OPERATION, ONLY THE CED TYPE DISC MUST BE USED.

# INSTALLATION OF YOUR VIDEO DISC PLAYER

1. Install your Video Disc Player within the reach of the Cable (Accessory No. 2, 2m or 6ft).  
Keep a space for operation at least 18"x18" x6", when you install your Player in a rack or the like.

To insure top performance, install only on a solid surface free from vibration.

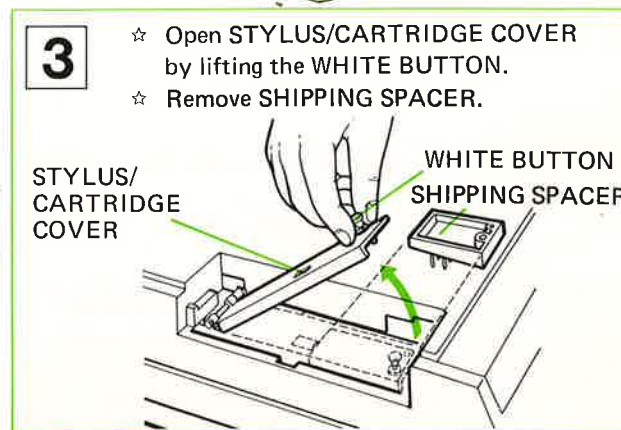
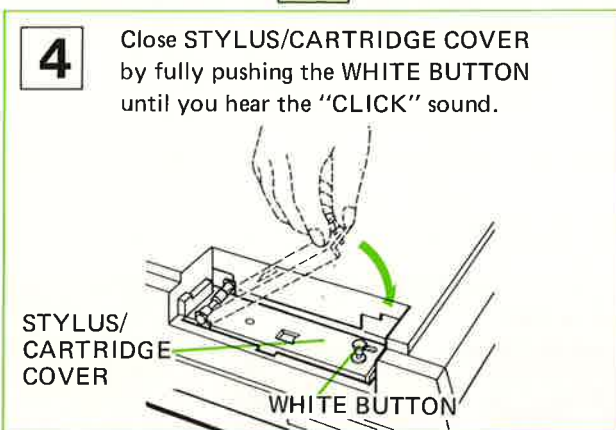
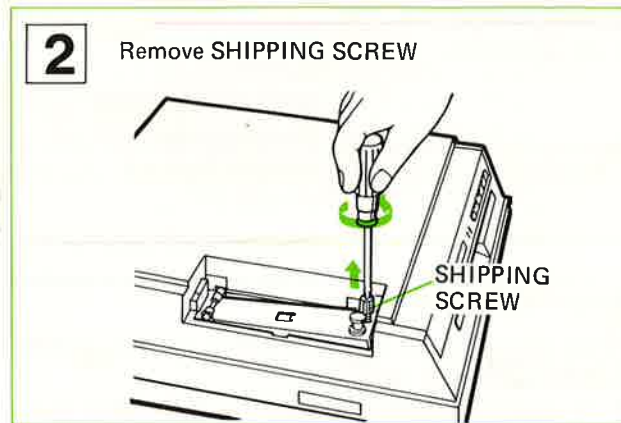
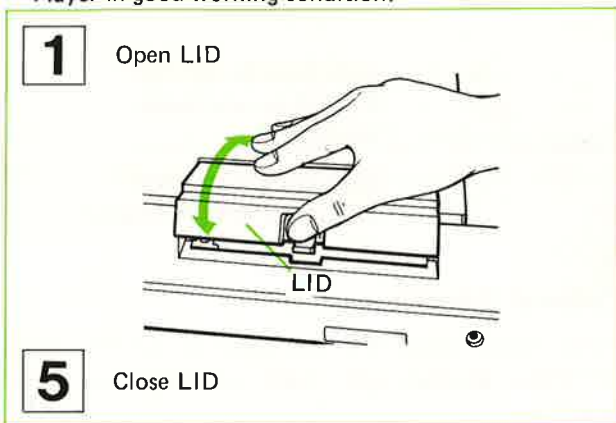
Avoid areas of high humidity, dust, greasy air, direct sunlight or other sources of heat (heaters, hot air vents, etc.).

Good air circulation will be helpful in keeping the Player in good working condition.

2. **THE SHIPPING SCREW AND SPACER MUST BE REMOVED BEFORE OPERATING THE PLAYER.** (See instructions in the pictures below.)  
The screw can be removed and reinstalled with a common screw-driver.

— **SAVE the SHIPPING SCREW and SPACER!** —  
Reinstall them if your Player is transported to another location later.

The SHIPPING SCREW and SPACER will prevent damage to your Player if it is dropped or jarred severely during moving.



**WHITE BUTTON** — If the WHITE BUTTON is accidentally pushed while the STYLUS/CARTRIDGE COVER is open, you can not close the COVER. In that case, please lift the BUTTON until you hear the "CLICK" sound, then follow above instructions in "Figure 4".

## POWER CONNECTION

Plug your Video Disc Player to the wall outlet supplying standard house power (120 volts, 60 Hz).

The plug on the power cord is polarized, with one blade wider than the other. Turn the plug over if it is difficult to insert.

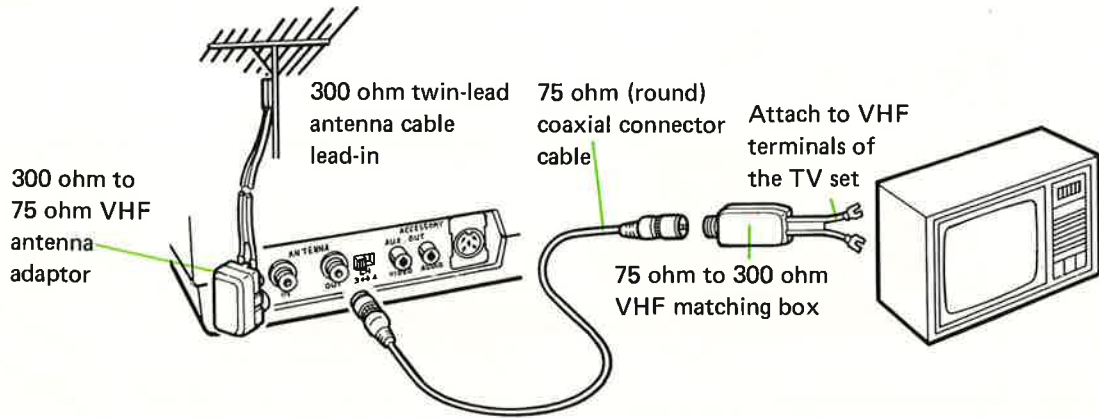
## CHANNEL SELECTION AND FINE TUNING YOUR TV

The Player transmits its signal in much the same manner as a TV station on either channel 3 or 4. It may be necessary to select the channel and fine tune TV so that you can enjoy the video discs successfully. To fine tune your TV, do the following steps after the antenna connection (on page 4 and 5).

1. Turn on TV and select channel 3 or 4, whichever is unused in your area. If both channel 3 and 4 are used, select the least viewed. Your Player will override any unwanted signal.
2. Set the channel 3/4 Selector located on Rear Panel of your Player to the same channel you selected on your TV.
3. Follow the operating instructions on pages 6 and 7, to play a Disc and check the picture. If the picture is satisfactory, your TV need not require fine tuning. If unsatisfactory, fine tune your TV, to get the clearest picture and sound.

## GUIDE 2

### VHF Antenna Connection (flat twin lead)



You will need the 300 ohm to 75 ohm VHF antenna adaptor (Accessory No. 3), the 75 ohm (round) connector cable (Accessory No. 2), and the 75 ohm to 300 ohm VHF matching box (Accessory No. 4), which are supplied with your Player.

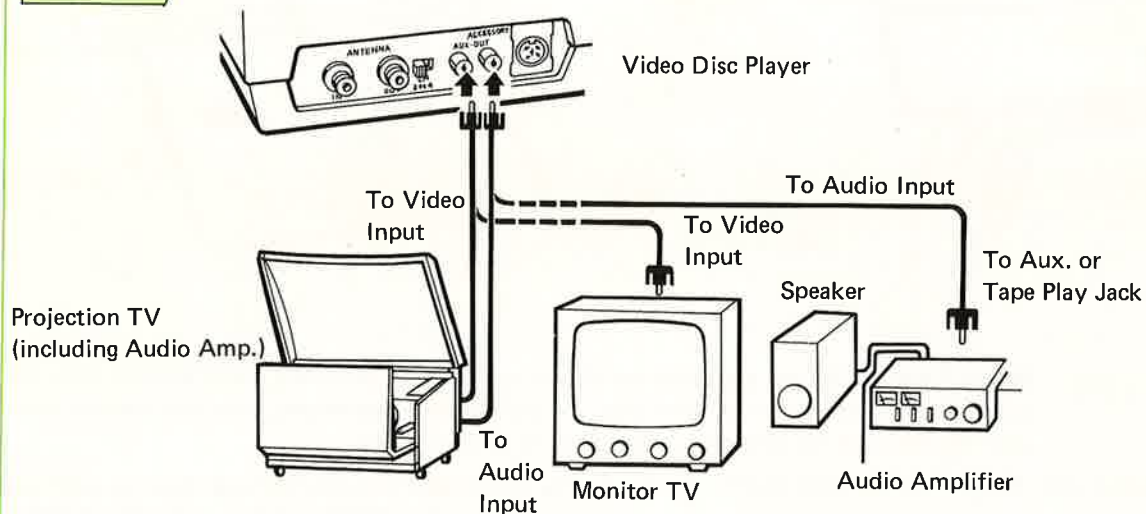
1. Disconnect the 300 ohm flat antenna twin-leads from your TV, and screw them onto the 300 ohm to 75 ohm VHF antenna adaptor.
2. Connect the other end of the adaptor to the

ANTENNA IN terminal (far left) on your Video Disc Player.

3. Connect one end of the 75 ohm (round) connector cable to the ANTENNA OUT terminal (second from left) on your Player. Connect the other end of the connector cable onto the 75 ohm to 300 ohm VHF matching box.
4. Screw the twin-lead from the matching box onto the VHF terminals on the back of your TV set.

## GUIDE 3

### Optional Cable Connection To Projection TV/Monitor TV with video input and amplifier



You will need a pin plug type 75 ohm (round) video cable and an audio cable. Neither of these cables is supplied with your Video Disc Player.

1. Connect the video cable to the AUX. OUT VIDEO terminal on your Player.
2. Connect the other end of the video cable to the video input terminal of your Projection/Monitor

TV.

3. Connect the audio cable to the AUX. OUT AUDIO terminal on your Player.
4. Connect the other end of the audio cable to the Aux/Line In terminal of your Audio Amplifier.
5. Select and change-over to the corresponding Input terminal of both/either TV and/or Amplifier.

## RETURN

Push to cancel any mode and return to standby mode.

## FORWARD SEARCH(2 MODES)

While pressing, fast forward playback can be performed to search for picture content.

☆NORMAL (▶▶): Fast forward playback at approximately 10 times regular playing speed.

☆FAST (▶▶▶): Fastest forward playback of Disc in approximately one minute per side.

**NOTE:** Perfect pictures cannot be expected during the use of SEARCH MODES. A certain amount of noise will be seen in the TV screen. It is advisable to release the search buttons at least once every 10 seconds. Otherwise the picture may be lost or the Player may return to the Standby mode. (Holding the button longer than 10 seconds will not damage the Player.) (This is not the fault of either Your Player or Disc)

## PAUSE /PLAY

Push to stop playing Disc.

Push again to resume playback.

## PAUSE INDICATOR

Flashes in pause mode.

## REVERSE SEARCH (2 MODES)

While pressing, fast reverse playback can be performed to search for picture content.

☆NORMAL (◀◀): Fast reverse playback at approximately 10 times regular playing speed.

☆FAST (◀◀◀): Fastest reverse playing of Disc in approximately one minute per side.

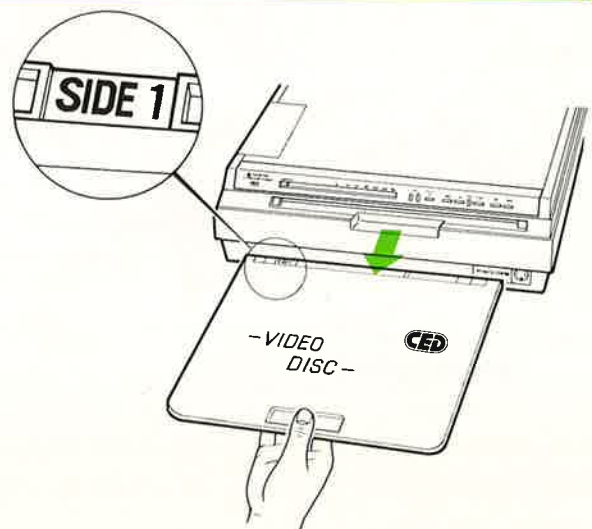
## REMOTE CONTROL SOCKET

To be connected with optionally available Remote Control Unit.

(MODEL No.CWV600)

## REMOVAL OF VIDEO DISC

1. During playback or in PAUSE MODE, push the RETURN Button. Picture will go off and the PLAY TIME INDICATOR will return to the STANDBY position. It will flash and the Video Disc is ready for removal.
2. Insert the empty Caddy into the DISC SLOT in exactly the same way as explained in Step 1 under OPERATION at the left. You will hear the "CLICK" sound and the Disc is housed in the Caddy.
3. Pull out the Disc with Caddy.



# ADDITIONAL INFORMATION

## 1. CED VIDEO DISC AND CADDY

- The CED (Capacitance Electronic Disc) Disc is housed in a hard plastic case called "Caddy", which protects the Disc from damage by scratches, finger prints or dust, and warping. So never remove the Disc from the Caddy. If the Disc is damaged, picture and sound will permanently be degraded when that Disc is played.
- If a malfunction occurs and the Disc cannot be removed from the Player, please take the Disc Caddy along with the Player when you take it for service.

### CAUTION:

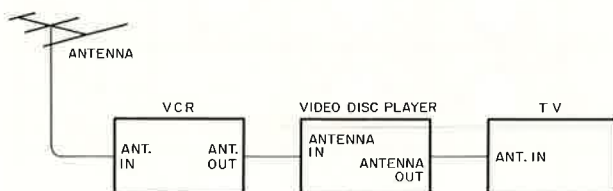
- To avoid losing the empty Caddy and to protect the Disc from possible damage or warping, be sure to remove the Disc from the Player when you finish enjoying playback of the Disc.
- To protect the Disc from the possible damage or warping, if the Disc is left inside Your Player for longer than a few minutes it is automatically shifted from **STANDBY MODE** to **PAUSE MODE**. Push **RETURN** button to remove the Disc.

## 2. POWER LINE FAILURE

- Power line failure for a short duration might cause momentary picture muting or the Player to return to the **STANDBY MODE**.
- ☆ If returning to the **STANDBY MODE** happens, push **PAUSE/PLAY** button to resume playback.

## 3. TO USE THIS PLAYER WITH YOUR VCR

- **VCR Connection**  
This connection does not permit copying Video Disc with the Video Recorder, but the VCR can record air signals while you view Disc play.



- **VCR Recording**  
To record your Disc on your Video Recorder for your own personal use, connect the **AUX. VIDEO OUTPUT** on the Player to the **VIDEO INPUT** on your VCR, and the **AUX. AUDIO OUTPUT** on the Player to the **AUDIO INPUT** on your VCR. Video Discs contain material protected by copyright laws, recording a Disc will infringe copyrights and may result in prosecution by the copyright holders or governmental agencies.

