



# VIDEO DISC PLAYER

**S**tereo  
SOUND

Model **VIP2000**

## OPERATING GUIDE



THIS VIDEO DISC PLAYER IS A  
CED TYPE VIDEO DISC PLAYER.  
FOR PROPER OPERATION, ONLY  
THE CED TYPE DISC MUST BE  
USED.

# INSTALLATION OF YOUR VIDEO DISC PLAYER

1. Install your Video Disc Player within the reach of the Cable (Accessory No. 2).  
Keep a space for operation at least 18"x18" x6", when you install your Player in a rack or the like.

To insure top performance, install only on a flat and solid surface free from vibration.

Avoid areas of high humidity, dust, greasy air, direct sunlight or other sources of heat (heaters, hot air vents, etc.).

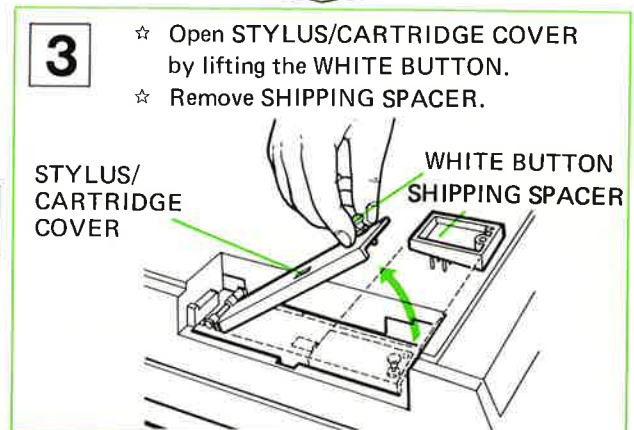
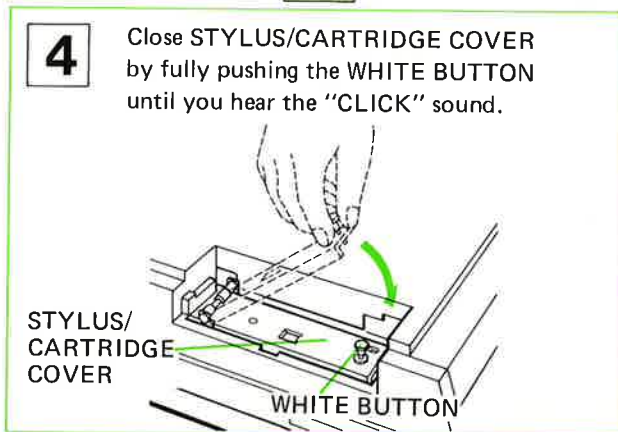
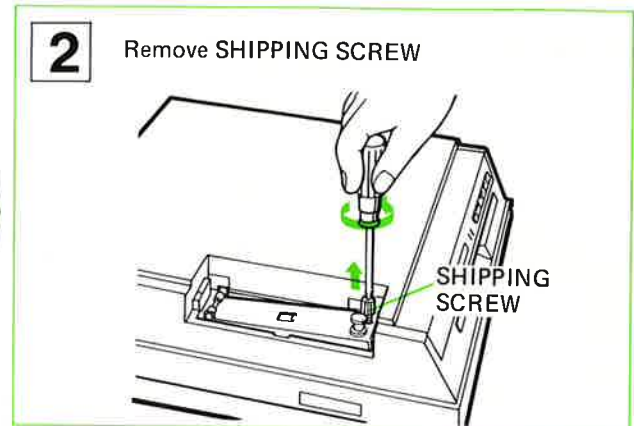
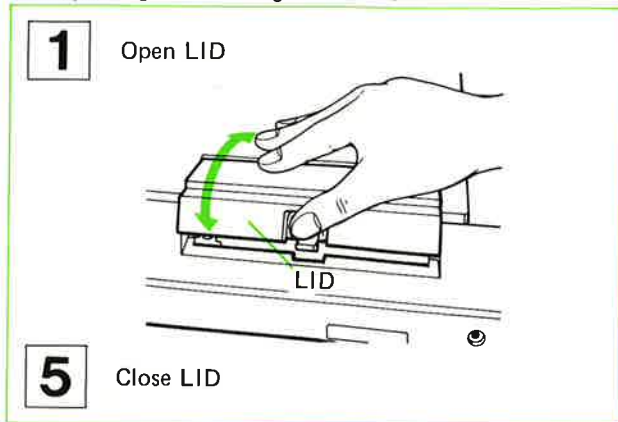
Good air circulation will be helpful in keeping the Player in good working condition.

2. THE SHIPPING SCREW AND SPACER MUST BE REMOVED BEFORE OPERATING THE PLAYER. (See instructions in the pictures below.)  
The screw can be removed and reinstalled with a common screw-driver.

—SAVE the SHIPPING SCREW and SPACER!—

Reinstall them if your Player is transported to another location later.

The SHIPPING SCREW and SPACER will prevent damage to your Player if it is dropped or jarred severely during moving.



**WHITE BUTTON**—If the WHITE BUTTON is accidentally pushed while the STYLUS/CARTRIDGE COVER is open, you can't close the COVER. In that case, please lift the BUTTON until you hear the "CLICK" sound, then follow above instruction of "figure 4".

## POWER CONNECTION

Plug your Video Disc Player to the wall outlet supplying standard house power (120 volts, 60 Hz).

The plug on the power cord is polarized, with one blade wider than the other. Turn the plug over if it is difficult to insert.

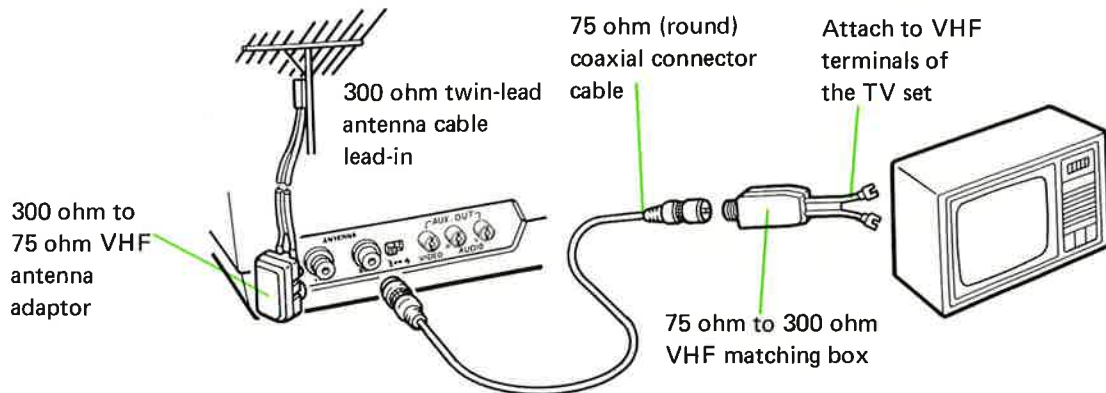
## CHANNEL SELECTION AND FINE TUNING YOUR TV

The Player transmits its signal in much the same manner as a TV station on either channel 3 or 4. It may be necessary to select the channel and fine tune TV so that you can enjoy the video discs successfully. To fine tune your TV, do the following steps after the antenna connection (on page 4 and 5).

1. Turn on TV and select channel 3 or 4, whichever is unused in your area. If both channel 3 and 4 are used, select the least viewed. Your Player will override any unwanted signal.
2. Set the channel 3/4 Selector located on Rear Panel of your Player to the same channel you selected on your TV.
3. Follow the operating instructions on pages 6 and 7, to play a Disc and check the picture. If the picture is satisfactory, your TV need not require fine tuning. If unsatisfactory, fine tune your TV, to get the clearest picture and sound.

## GUIDE 2

### VHF Antenna Connection (flat twin lead)



You will need the 300 ohm to 75 ohm VHF antenna adaptor (Accessory No. 3), the 75 ohm (round) connector cable (Accessory No. 2), and the 75 ohm to 300 ohm VHF matching box (Accessory No. 4), which are supplied with your Player.

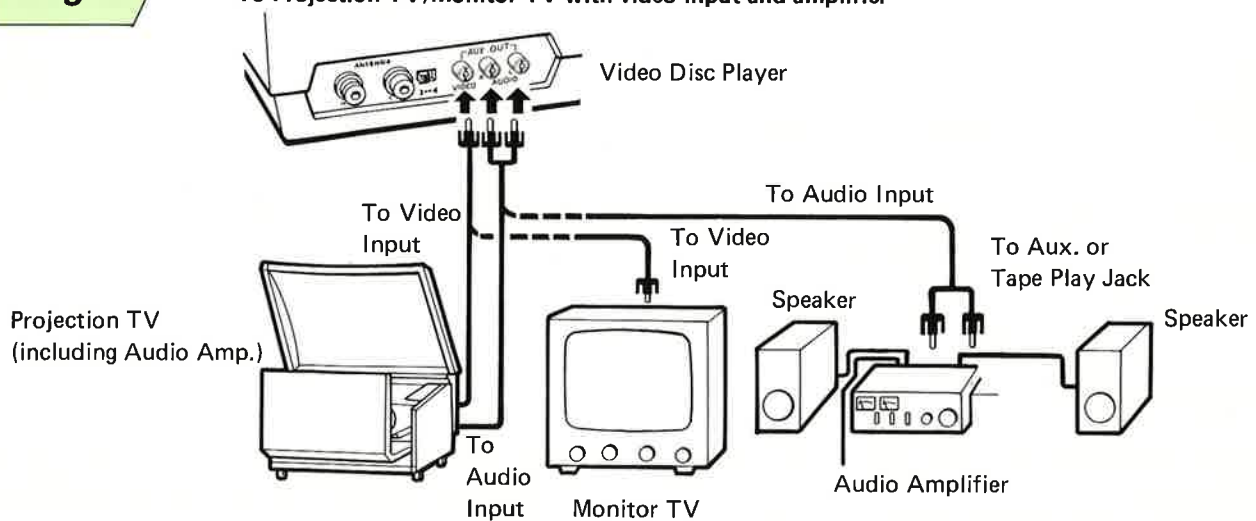
1. Disconnect the 300 ohm flat antenna twin-leads from your TV, and screw them onto the 300 ohm to 75 ohm VHF antenna adaptor.
2. Connect the other end of the adaptor to the

ANTENNA IN terminal (far left) on your Video Disc Player.

3. Connect one end of the 75 ohm (round) connector cable to the ANTENNA OUT terminal (second from left) on your Player. Connect the other end of the connector cable onto the 75 ohm to 300 ohm VHF matching box.
4. Screw the twin-lead from the matching box onto the VHF terminals on the back of your TV set.

## GUIDE 3

### Optional Cable Connection To Projection TV/Monitor TV with video input and amplifier



You will need a pin plug type 75 ohm (round) video cable and an audio cables. Neither of these cables is supplied with your Video Disc Player.

1. Connect the video cable to the AUX. OUT VIDEO terminal on your Player.
2. Connect the other end of the video cable to the video input terminal of your Projection/Monitor

TV.

3. Connect the audio cables to the AUX. OUT AUDIO (R, L) terminals on your Player.
4. Connect the other end of the audio cables to the Aux/Line In (R, L) terminals of your Audio Amplifier.
5. Select and change-over to the corresponding Input terminal of both/either TV and/or Amplifier.

## RETURN

Push to cancel any mode and return to standby mode.

## FORWARD SEARCH (3 MODES)

While pressing, fast forward playback can be performed to search for picture content.

☆ NORMAL ( ►► ) : Fast forward playback at approximately 16 times regular playing speed.

☆ FAST ( ►►► ) : Fastest forward playback of Disc in approximately half minute per side.

☆ NORMAL ( ►► ) & FAST ( ►►► ) : Fast forward playback at approximately 4 times regular playing speed.

NOTE: Perfect pictures cannot be expected during the use of SEARCH MODES. A certain amount of noise will be seen in the TV screen. It is advisable to release the search buttons at least once every 10 seconds. Otherwise the picture may be lost or the Player may return to the standby mode. (Holding the button longer than 10 seconds will not damage the Player.)  
(This is not the fault of either Your Player or Disc)

## PAUSE/PLAY

Push to stop playing Disc. PLAYTIME INDICATOR will flash on and off while the Player is in PAUSE MODE.

Push again to resume playback.

## REVERSE SEARCH (3 MODES)

While pressing, fast reverse playback can be performed to search for picture content.

☆ NORMAL ( ◀◀ ) : Fast reverse playback at approximately 16 times regular playing speed.

☆ FAST ( ◀◀◀ ) : Fastest reverse playing of Disc in approximately half minute per side.

☆ NORMAL ( ◀◀ ) & FAST ( ◀◀◀ ) : Fast reverse playback at approximately 4 times regular playing speed.

## REMOTE CONTROL SOCKET

To be connected with optionally available Remote Control Unit. (MODEL No. CWV600)

### REPEAT

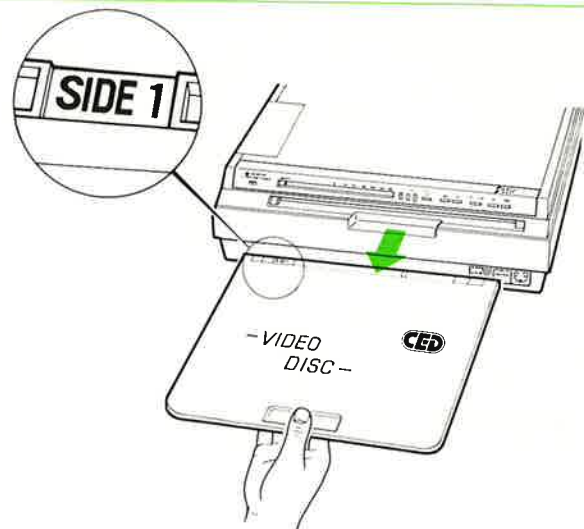
While pressing FORWARD NORMAL ( ►► ) and REVERSE NORMAL ( ◀◀ ) same time, four picture frame REPEAT playback can be obtained. Also, this repeated picture content can be advanced or retreated by tapping either of the buttons.

## REMOVAL OF VIDEO DISC

1. During playback or in PAUSE MODE, push the RETURN Button. Picture will go off and the PLAY TIME INDICATOR will return to the STANDBY position.

It will flash and the Video Disc is ready for removal.

2. Insert the empty Caddy into the DISC SLOT in exactly the same way as explained in Step 1 under OPERATION at the left. You will hear the "CLICK" sound and the Disc is housed in the Caddy.
3. Pull out the Disc with Caddy.



# ADDITIONAL INFORMATION

## 1. CED VIDEO DISC AND CADDY

- The CED (Capacitance Electronic Disc) Disc is housed in a hard plastic case called "Caddy", which protects the Disc from damage by scratches, finger prints or dust, and warping. So never remove the Disc from the Caddy. If the Disc is damaged, picture and sound will permanently be degraded when that Disc is played.
- If a malfunction occurs and the Disc cannot be removed from the Player, please take the Disc Caddy along with the Player when you take it for service.

### CAUTION:

- To avoid losing the empty Caddy and to protect the Disc from possible damage or warping, be sure to remove the Disc from the Player when you finish enjoying playback of the Disc.
- To protect the Disc from the possible damage or warping, if the Disc is left inside Your Player for longer than a few minutes it is automatically shifted from STANDBY MODE to PAUSE MODE. Push RETURN button to remove the Disc.
- Do not carry the Player while the Disc is left inside, and do not let vibrations affect the Player. The Disc may slip off inside the Player and may not be removable.
- Be sure to use an empty Caddy when removing the Disc from the Player. The Disc can not be removed when a Caddy which already contains a Disc is inserted.
- Install the Player so that all four feet of the Player are on a flat and solid surface free from vibration.

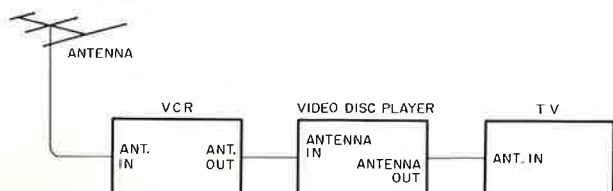
## 2. POWER LINE FAILURE

- Power line failure for a short duration might cause momentary picture muting or the Player to return to the STANDBY MODE.
- ☆ If returning to the STANDBY MODE happens, push PAUSE/PLAY button to resume playback.

## 3. TO USE THIS PLAYER WITH YOUR VCR

### ● VCR Connection

This connection does not permit copying Video Disc with the Video Recorder, but the VCR can record air signals while you view Disc play.



### ● VCR Recording

To record your Disc on your Video Recorder for your own personal use, connect the AUX. VIDEO OUTPUT on the Player to the VIDEO INPUT on your VCR, and the AUX. AUDIO OUTPUT on the Player to the AUDIO INPUT on your VCR.

Video Discs contain material protected by copyright laws, recording a Disc will infringe copyrights and may result in prosecution by the copyright holders or governmental agencies.

## IMPORTANT

This equipment generates and uses radio frequency energy and if not installed and used properly, that is, in strict accordance with the manufacturer's instructions, may cause interference to radio and television reception. It has been type tested and found to comply with the limits for a Class B computing device in accordance with the specifications in Subpart J of Part 15 of FCC Rules, which are designed to provide reasonable protection against such interference in a residential installation. However, there is no guarantee that interference will not occur in a particular installation. If this equipment does cause interference to radio or television reception, which can be determined by turning the equipment off and on, the user is encouraged to try to correct the interference by one or more of the following measures:

- reorient the receiving antenna
- relocate the Player with respect to the receiver
- move the Player away from the receiver
- plug the Player into a different outlet so that Player and receiver are on different branch circuits.

If necessary, the user should consult the dealer or an experienced radio/television technician for additional suggestions. The user may find the following booklet prepared by the Federal Communications Commission helpful:

“How to Identify and Resolve Radio-TV Interference Problems”. This booklet is available from the US Government Printing Office, Washington, DC 20402, Stock No. 004-000-00345-4.