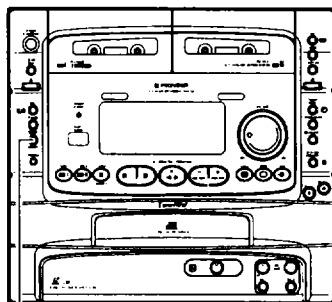


Service Manual



• CL-J35LD

ORDER NO.
RRV1215

DEMO

STEREO CLD CASSETTE DECK RECEIVER

CL-J35LD

CL-J55LD

CL-J75LD

THIS MANUAL IS APPLICABLE TO THE FOLLOWING MODEL(S) AND TYPE(S).

Type	Model			Power Requirement	The voltage can be converted by the following method.
	CL-J35LD	CL-J55LD	CL-J75LD		
KU	○	—	—	AC120V	—
SD	○	○	○	AC110-115/120-127/220-230/240V	With the voltage selector
SD/HO	○	○	—	AC110-115/120-127/220-230/240V	With the voltage selector
SL	○	○	○	AC110-115/120/220-230/240V	With the voltage selector
S/DF	—	○	—	AC110-115/120-127/220-230/240V	With the voltage selector
HE	○	—	○	AC220-230V	—
HE/FR	○	—	○	AC220-230V	—
HEZI/DI	○	—	○	AC220-230V	—
HB	—	—	○	AC230V	—

- For the following : CL-J35LD/SD, SD/HO, SL, HE, HE/FR and HEZI/DI; CL-J55LD/SD, SD/HO, SL and S/DF; CL-J75LD/SD, SL, HE, HE/FR, HEZI/DI and HB, refer to pages 163 through 181.

CONTENTS

1. SAFETY INFORMATION	2	8. IC INFORMATION	151
2. DISASSEMBLY	4	9. FL INFORMATION	155
3. EXPLODED VIEWS, PACKING AND PARTS LIST	6	10. BLOCK DIAGRAMS	157
4. SCHEMATIC AND PCB CONNECTION DIAGRAMS	22	11. FOR CL-J35LD/SD, SD/HO, SL, HE, HE/FR, HEZI/DI, CL-J55LD/SD, SD/HO, SL, S/DF, CL-J75LD/SD, SL, HE, HE/FR, HEZI/DI AND HB	163
5. PCB PARTS LIST	121	12. PANEL FACILITIES	182
6. SELF-DIAGNOSTIC FUNCTIONS	129	13. SPECIFICATIONS	186
7. ADJUSTMENTS	131		

1. SAFETY INFORMATION

This service manual is intended for qualified service technicians; It is not meant for the casual do-it-yourselfer. Qualified technicians have the necessary test equipment and tools, and have been trained to properly and safely repair complex products such as those covered by this manual. Improperly performed repairs can adversely affect the safety and reliability of the product and may void the warranty. If you are not qualified to perform the repair of this product properly and safely, you should not risk trying to do so and refer the repair to a qualified service technician.

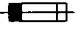
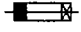
WARNING

Lead in solder used in this product is listed by the California Health and Welfare agency as a known reproductive toxicant which may cause birth defects or other reproductive harm (California Health & Safety Code, Section 25249.5).

When servicing or handling circuit boards and other components which contain lead in solder, avoid unprotected skin contact with the solder. Also, when soldering do not inhale any smoke or fumes produced.

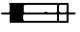
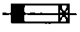
NOTICE

(FOR CANADIAN MODEL ONLY)

Fuse symbols  (fast operating fuse) and/or  (slow operating fuse) on PCB indicate that replacement parts must be of identical designation.

REMARQUE

(POUR MODÈLE CANADIEN SEULEMENT)

Les symboles de fusible  (fusible de type rapide) et/ou  (fusible de type lent) sur CCI indiquent que les pièces de remplacement doivent avoir la même désignation.

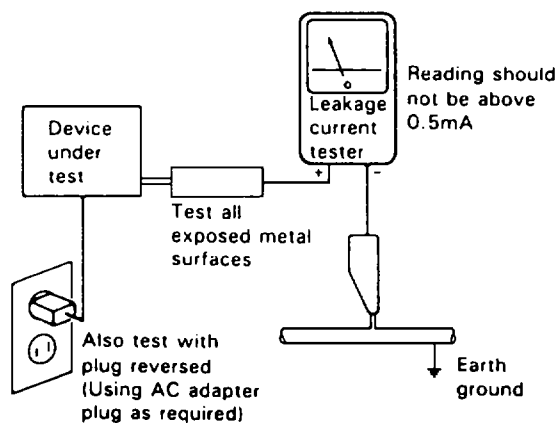
(FOR USA MODEL ONLY)

1. SAFETY PRECAUTIONS

The following check should be performed for the continued protection of the customer and service technician.

LEAKAGE CURRENT CHECK

Measure leakage current to a known earth ground (water pipe, conduit, etc.) by connecting a leakage current tester such as Simpson Model 229-2 or equivalent between the earth ground and all exposed metal parts of the appliance (input/output terminals, screwheads, metal overlays, control shaft, etc.). Plug the AC line cord of the appliance directly into a 120V AC 60Hz outlet and turn the AC power switch on. Any current measured must not exceed 0.5mA.



AC Leakage Test

ANY MEASUREMENTS NOT WITHIN THE LIMITS OUTLINED ABOVE ARE INDICATIVE OF A POTENTIAL SHOCK HAZARD AND MUST BE CORRECTED BEFORE RETURNING THE APPLIANCE TO THE CUSTOMER.

2. PRODUCT SAFETY NOTICE

Many electrical and mechanical parts in the appliance have special safety related characteristics. These are often not evident from visual inspection nor the protection afforded by them necessarily can be obtained by using replacement components rated for voltage, wattage, etc. Replacement parts which have these special safety characteristics are identified in this Service Manual.

Electrical components having such features are identified by marking with a Δ on the schematics and on the parts list in this Service Manual.

The use of a substitute replacement component which does not have the same safety characteristics as the PIONEER recommended replacement one, shown in the parts list in this Service Manual, may create shock, fire, or other hazards.

Product Safety is continuously under review and new instructions are issued from time to time. For the latest information, always consult the current PIONEER Service Manual. A subscription to, or additional copies of, PIONEER Service Manual may be obtained at a nominal charge from PIONEER.

(FOR EUROPEAN MODEL ONLY)

VARO!
AVATTAESSA JA SUOJALUKITUS
OHITETTAESSA OLET ALTTIINA
NÄKYMÄTTÖMÄLLE LASERSATEILYLLE.
ÄLÄ KATSO SÄTEESEEN.



LASER
Kuva 1
Lasersateilyn
varoituserkki

WARNING!
DEVICE INCLUDES LASER DIODE WHICH
EMITS INVISIBLE INFRARED RADIATION
WHICH IS DANGEROUS TO EYES. THERE IS
A WARNING SIGN ACCORDING TO PICTURE
1 INSIDE THE DEVICE CLOSE TO THE LASER
DIODE.



LASER
Picture 1
Warning sign for
laser radiation

ADVERSEL:
USYNLIG LASERSTRÅLING VED ÅBNING
NÅR SIKKERHEDSAFBRYDERE ER UDE AF
FUNKTION UNDGÅ UDSÆTTELSE FOR
STRÅLING.

VARNING!
OSYNLIG LASERSTRÅLING NÅR DENNA
DEL ÄR ÖPPNAD OCH SPÄRREN
ÄR URKOPPLAD. BETRAKTA EJ STRÅLEN.

IMPORTANT
THIS PIONEER APPARATUS CONTAINS
LASER OF CLASS 1.
SERVICING OPERATION OF THE APPARATUS
SHOULD BE DONE BY A SPECIALLY
INSTRUCTED PERSON.

LASER DIODE CHARACTERISTICS
MAXIMUM OUTPUT POWER: 5 mw
WAVELENGTH: 780-785 nm

LABEL CHECK

HE, HE/FR and HEZI/DI types

VARO!
Avattaessa ja suojalukitus ohitetta-
essa olet alttiina näkymättömälle
lasersäteilylle. Älä katso säteeseen.
VARNING!
Osynlig laserstrålning när denna del
är öppnad och spärren är urkopplad.
Betrakta ej strålen.
VRW1297-A

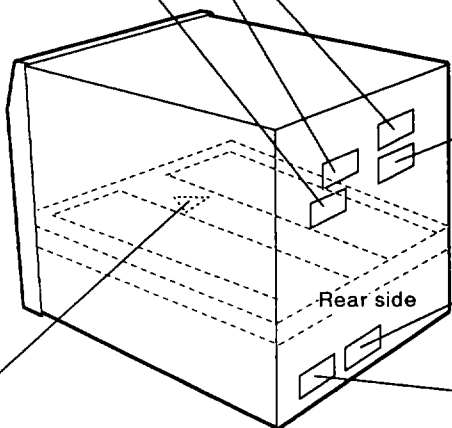
ADVARSEL
USYNLIG LASERSTRÅLING VED ÅBNING NÅR SIKKERHEDSAF-
BRYDERE ER UDE AF FUNKTION.
UNDGÅ UDSÆTTELSE FOR STRÅLING.
VORSICHT!
UNSIHTBARE LASER-STRÅLUNG TRITZ AUS, WENN DECKEL
(ODER KLAPPE) GEÖFFNET IST! NICHT DEM STRAHL AUSSETZEN!
VRW1094

HE, HE/FR, HEZI/DI,
HB and SL types

**CLASS 1
LASER PRODUCT**
VRW-328

CL-J75LD/HB and SL types

**CAUTION
INVISIBLE LASER
RADIATION WHEN OPEN,
AVOID EXPOSURE
TO BEAM**
PRW1018



SL, HE, HE/FR, HEZI/DI and HB types

Additional Laser Caution

- The ON/OFF statuses of slider-position detection switches (PARK INNER, PARK OUTER on the PKSB assembly) and loading-status detection switches (SW 1, 2 and 3 on LMSB assembly) are detected by the microprocessor (IC101 in the PTCB unit). To permit the laser diode to oscillate, it is required to set the slider-position detection switch for the LD ACTIVE status (PARK INNER : OFF, PARK OUTER : OFF), and to set the loading-status detection switch for tilt neutral state (SW1 : ON, SW2 : OFF, SW3 : ON). As long as these requirements are not satisfied, the laser diode will not oscillate. When the requirements are met in any way, the laser diode can oscillate. The laser diode oscillation will continue if pin 13 of IC801 is shorted to GND or the emitter and collector of Q834 are shorted each other (fault condition) in FTAU unit.
In the test mode *, the laser diode oscillates when the microprocessor detects a PLAY signal or when the PLAY key is pressed (S1300:ON in the U.COM assembly), with the above requirements satisfied.
- When the cover is open, close viewing through the objective lens with the naked eye will cause exposure to a Class 1 laser beam.

* : Refer to page 141.

**CAUTION
INVISIBLE LASER
RADIATION WHEN OPEN,
AVOID EXPOSURE
TO BEAM**
PRW1018

**CLASS 1
LASER PRODUCT**
VRW-328

CL-J35LD/SL
and
CL-J55LD/SL
types

2. DISASSEMBLY

2.1 TRAY (See Fig. 1 and 2)

1. Remove 13 screws to remove the bonnet.
2. Insert a finger between the front panel and SPDR UNIT, and turn the gear pulley counterclockwise (see from the top position.) until the tilt base comes to uppermost position. (Fig. 1)
3. Turn the worm gear counterclockwise (see from the front position.) to move the carriage assy from CD area to LD area. (The carriage assy moves from the center to rear of the carriage shaft.)
4. Turn the gear pulley clockwise (see from the top position.) where the tray starts to move out. Pull out the tray to enable the gear pulley to be turned by hand. (Fig. 2)
5. Tray put turn back for about 2-3 cm, then remove the tray while pressing two hooks of the tray at the same time.

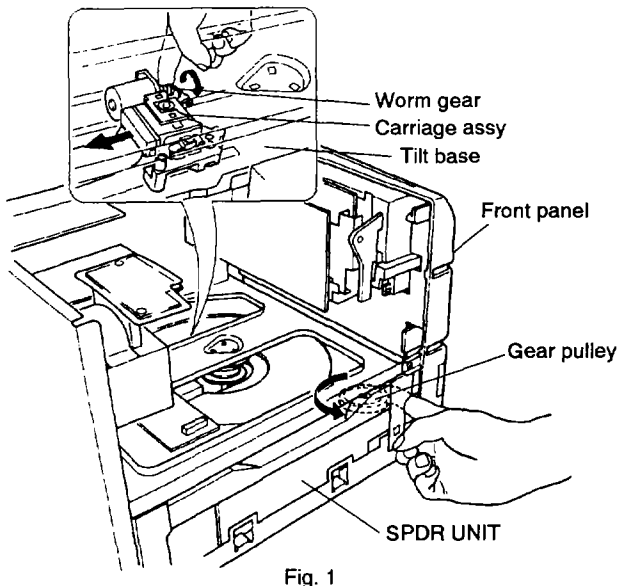


Fig. 1

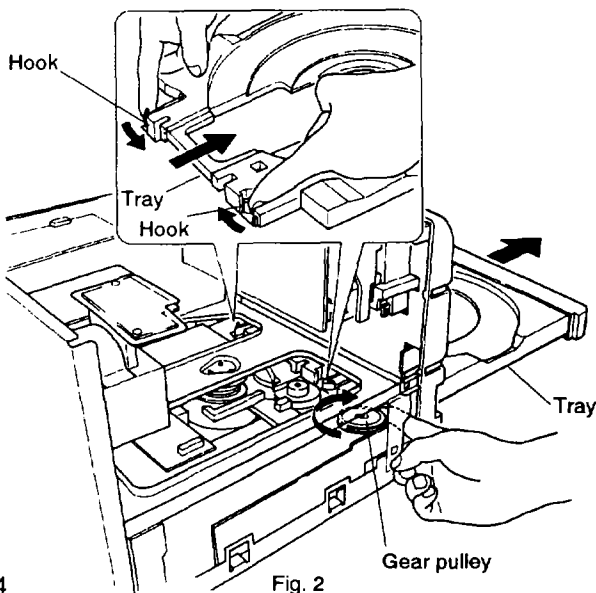
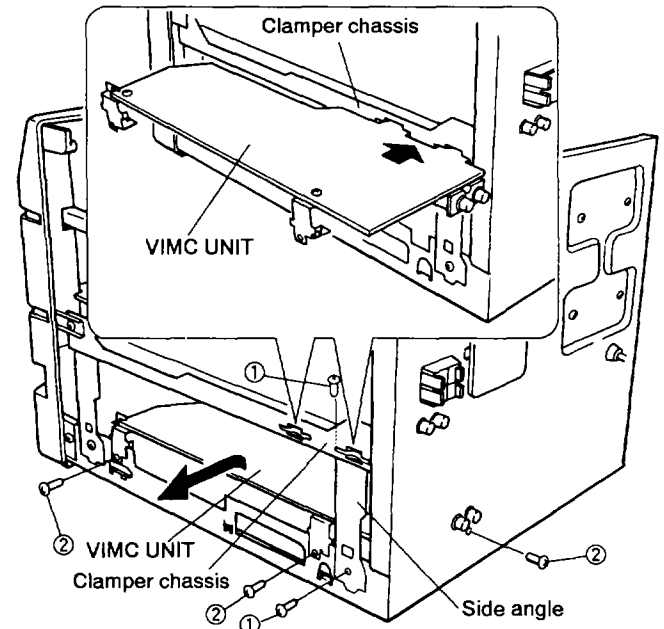


Fig. 2

2.2 VIMC UNIT (See Fig. 3.)

1. Remove the bonnet and the tray. (Refer to section 2.1.)
 2. Remove two screws ① to pull out the side angle.
 3. Remove three screws ② to pull out the VIMC UNIT.
 4. Insert the PCB to the installation hole of the clamber chassis.
- Remove five screws ② only HEZI/DI, HE, HE/FR and HB types.



HEZI/DI, HE, HE/FR and HB types only

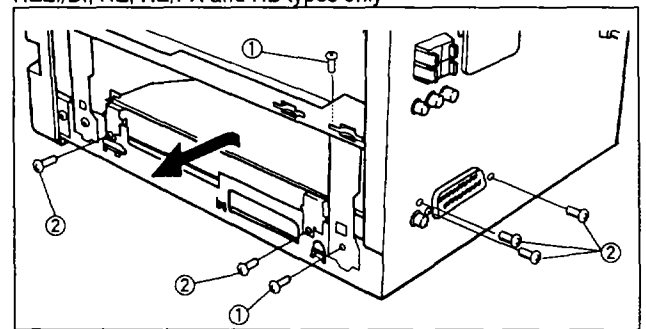


Fig. 3

2.3 PICKUP ASSY (See Fig. 4 and 5.)

1. Remove the bonnet and the tray. (Refer to section 2.1.)
2. Remove four screws ③ to remove the POWER AMP MODULE. (Fig. 4)
3. Reconnect the connector while pulling up the black portion of the connector. (Fig. 5)
4. Insert the screw driver to the hole of clamber chassis and remove a screw of the carriage shaft.
5. Remove the carriage assy with the carriage shaft.

Note: when installing the pickup assy, confirm that the CA hook is meshed with the tilt base.

2.4 SPINDLE MOTOR (See Fig. 6-8.)

1. Remove the bonnet and the tray. (Refer to section 2.1.)
2. Loosen a cord holder and remove a parallel wire. (Fig. 6)
3. Turn over the player. (Fig. 7)
4. Remove the VIMC UNIT. (Refer to section 2.2.)
5. Remove four screws ④ of side angle, five screws ⑤ of rear panel and two screws ⑥ of front panel to remove the CLD section by lifting up from the rear side. At this time, if the parallel wire of CN14 of FTAU UNIT is pulled out, CLD section will be separated from the player.
6. Remove four screws ⑦, two flexible cables and a connector to remove the mecha. assy. (Fig. 8)
7. Remove the PCB holder by sliding it in the direction of arrow and remove three screws ⑧ to remove the spindle motor.

● Caution of replacing the transistor and fuse in the SPDR UNIT

When replacing the power transistor and thermal fuse, certainly fix their with the screw and nut.

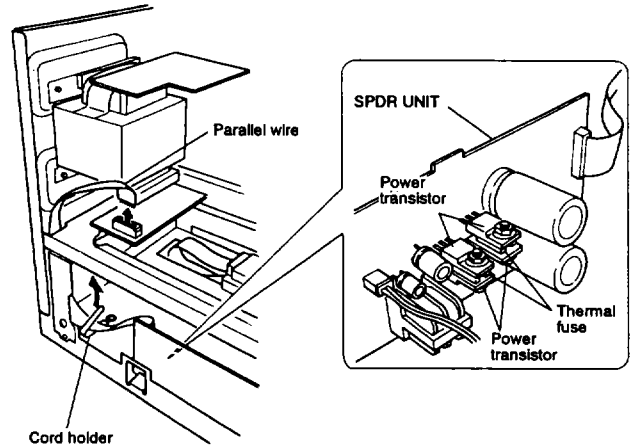


Fig. 6

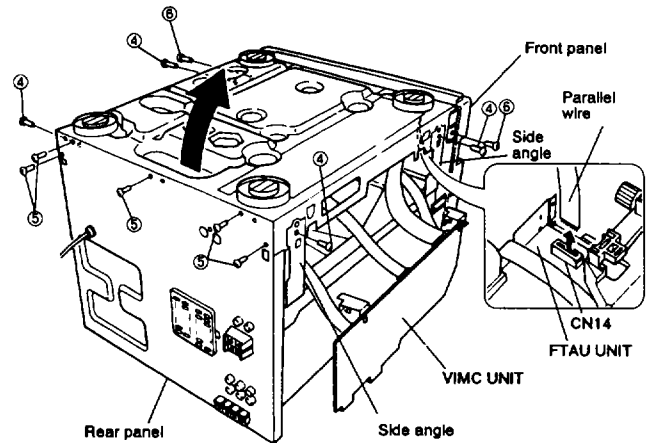


Fig. 7

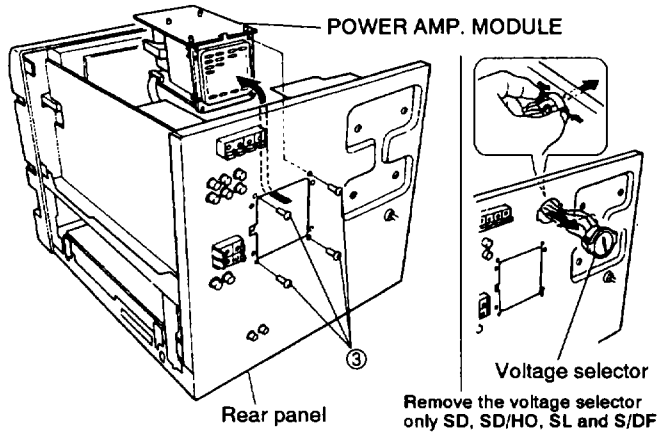


Fig. 4 Remove the POWER AMP. module.

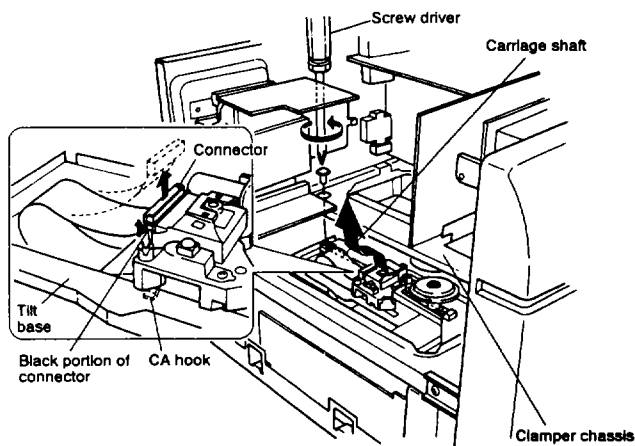


Fig. 5 Remove the carriage assy.

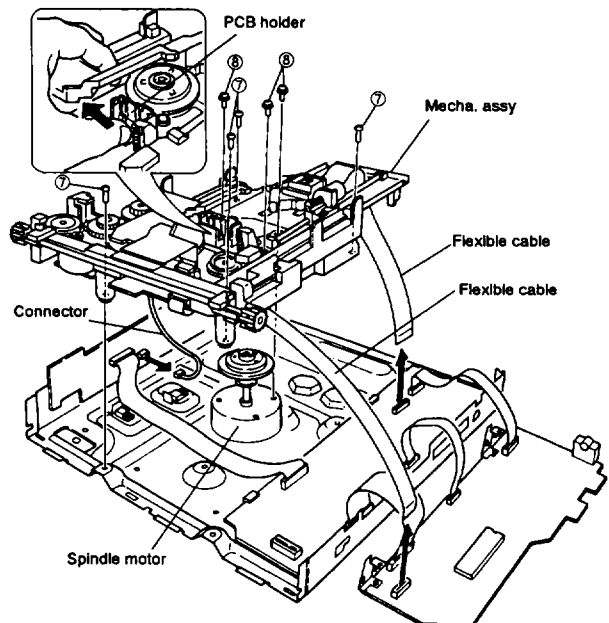


Fig. 8

3. EXPLODED VIEWS, PACKING AND PARTS LIST

NOTES:

- Parts marked by "NSP" are generally unavailable because they are not in our Master Spare Parts List.
- The Δ mark found on some component parts indicates the importance of the safety factor of the part. Therefore, when replacing, be sure to use parts of identical designation.
- Parts marked by "⊙" are not always kept in stock. Their delivery time may be longer than usual or they may be unavailable.

3.1 EXTERIOR AND DISC TRAY SECTION (for CL-J35LD/KU)

Parts List

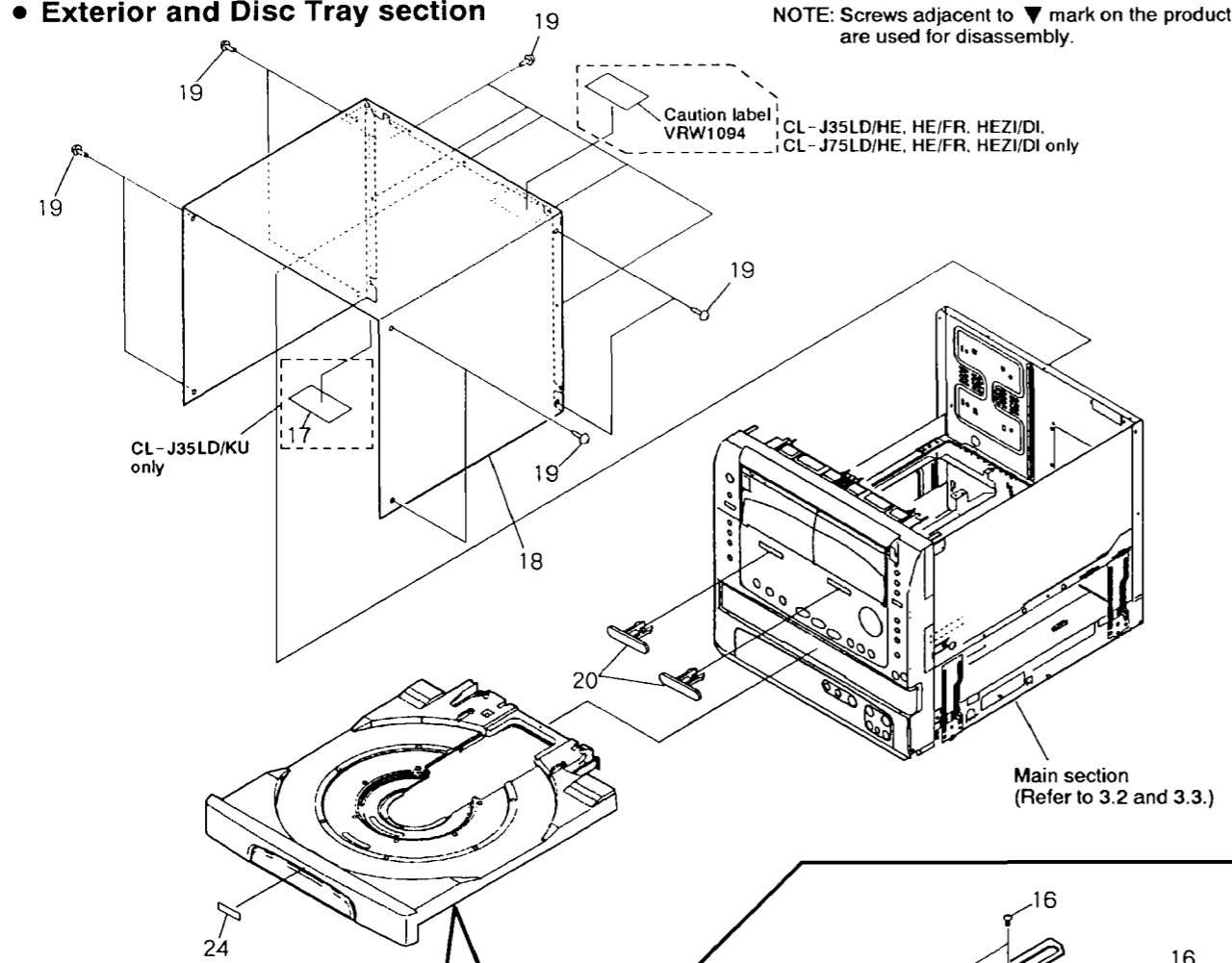
Mark	No.	Description	Part No.
NSP	1	LD door	REA1147
	2	LD tray	VNK2686
	3	Lock plate spring	VBH1188
	4	CD door	REA1148
	5	Door shaft	RLA1182
	6	Cushion	VEC1682
	7	Door spring	VBH1223
	8	Guide plate L	VNE1938
	9	Guide plate R	VNE1939
	10	CD tray	VNK2687
NSP	11	Lock plate	VNL1635
	12	Carry label	VRW1289
	13	Tray assy - S	VXX2171
	14	Damp cushion	VEC1683
	15	Screw	IPZ20P050FMC
	16	Screw	BBZ30P080FMC
	17	65 label	ORW1069
	18	Bonnet	REA1143
	19	Screw	BBZ30P080FZK
	20	Azimuth cover	RNK2114
NSP	21	Carry cushion	VEC1578
	22	Door holder	VNE1905
	23	LD door assy	RXA1670
	24	Badge	RAM1010
	25	Washer	VEC1254

3.2 MAIN SECTION (1/2) (for CL-J35LD/KU)

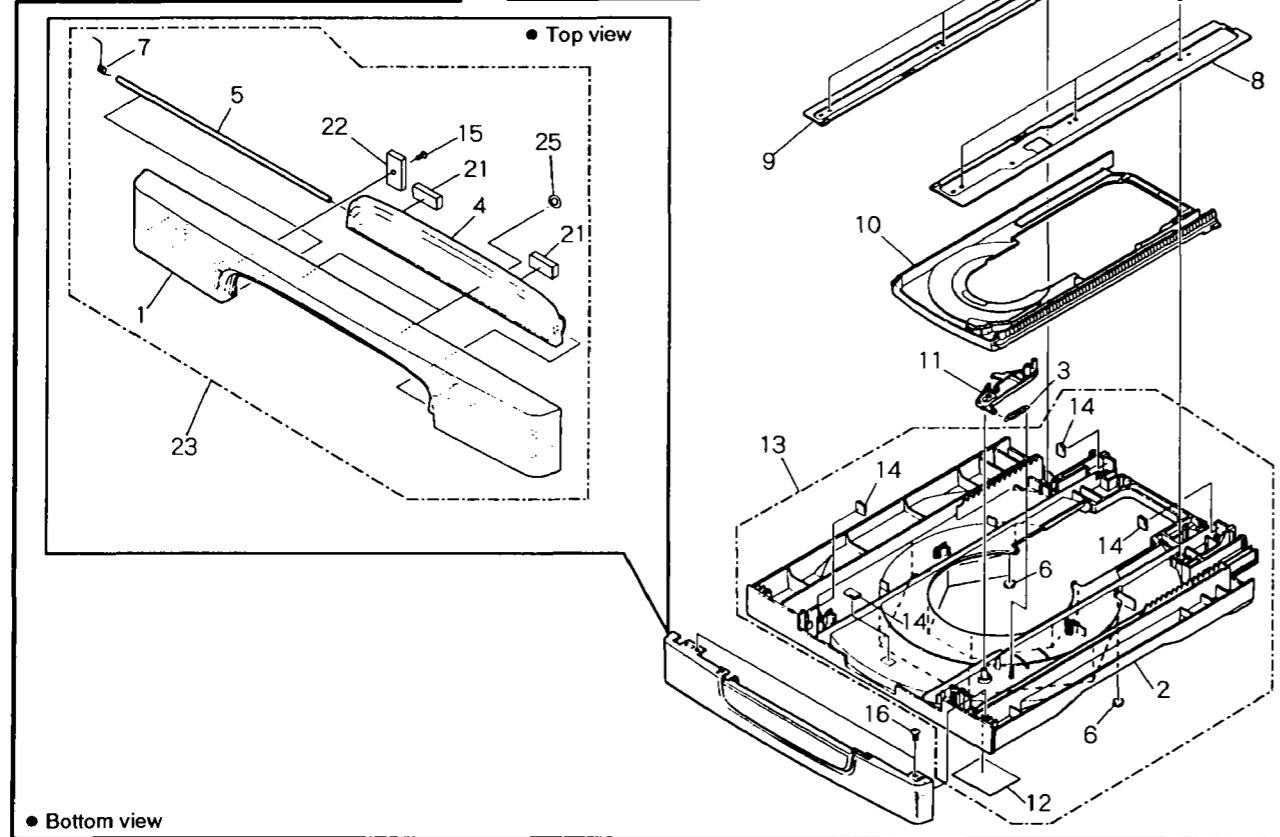
Parts List

Mark	No.	Description	Part No.
Δ	1	Power transformer (T1: AC120V)	RTT1282
NSP	2	PRIMARY assy	RWZ3377
Δ	3	Fuse (FU4, FU5/4A)	REK1082
NSP	4	TRANS assy	RWZ3317
Δ	5	Fuse (FU1/2.5A)	REK1079
	6	Screw	BBZ40P080FZK
	7	VOL assy	RWZ3593
	8	Screw	BBZ30P080FZK
	9	Screw	BCZ30P080FMC
	10	POWER AMP. module	AXQ7018
NSP	11	Barrier	REC1252
	12	Nylon rivet	RBM-003
Δ	13	AC power cord	PDG1015
	14	Strain relief	CM-22C
	15	FM/AM TUNER module	AXQ1012
	16	Volume knob	RAC1933
	17	Mic knob	RAC1936
	18	MAIN assy	RWZ3619
	19	Screw	BBZ30P080FMC
NSP	20	Clamper chassis	RNB1106
	21	Rubber mat	VEB1114
	22	Clamper head	VNL1649
	23	Thrust holder	VNL1663
	24	Clamper spring	VBH1192
	25	Clamper	VNL1648
	26	Clamper holder	VNL1636
NSP	27	Label (fuse)	RRW1199
	28	•••••	
	29	•••••	
NSP	30	Label (fuse)	RRW1198

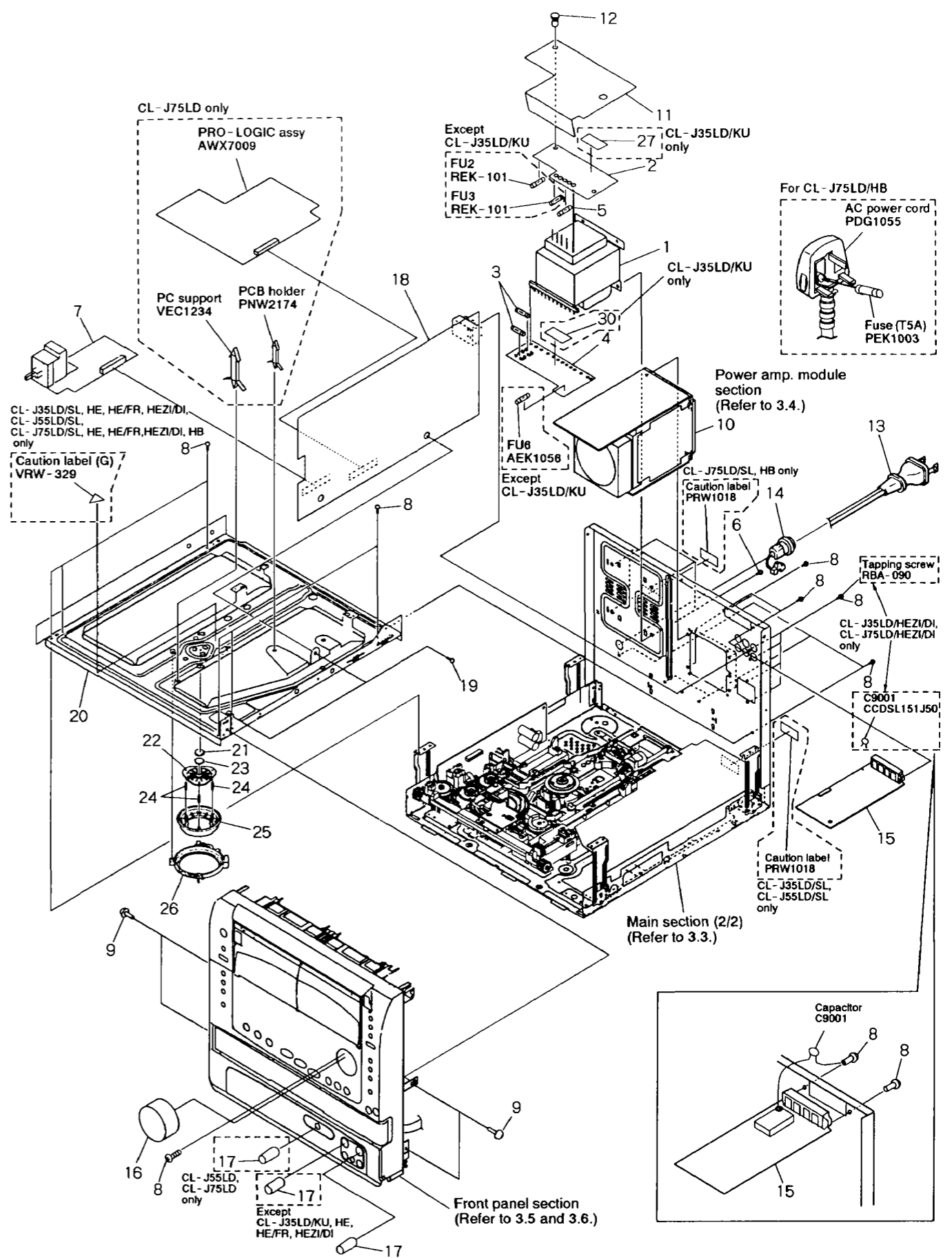
• Exterior and Disc Tray section



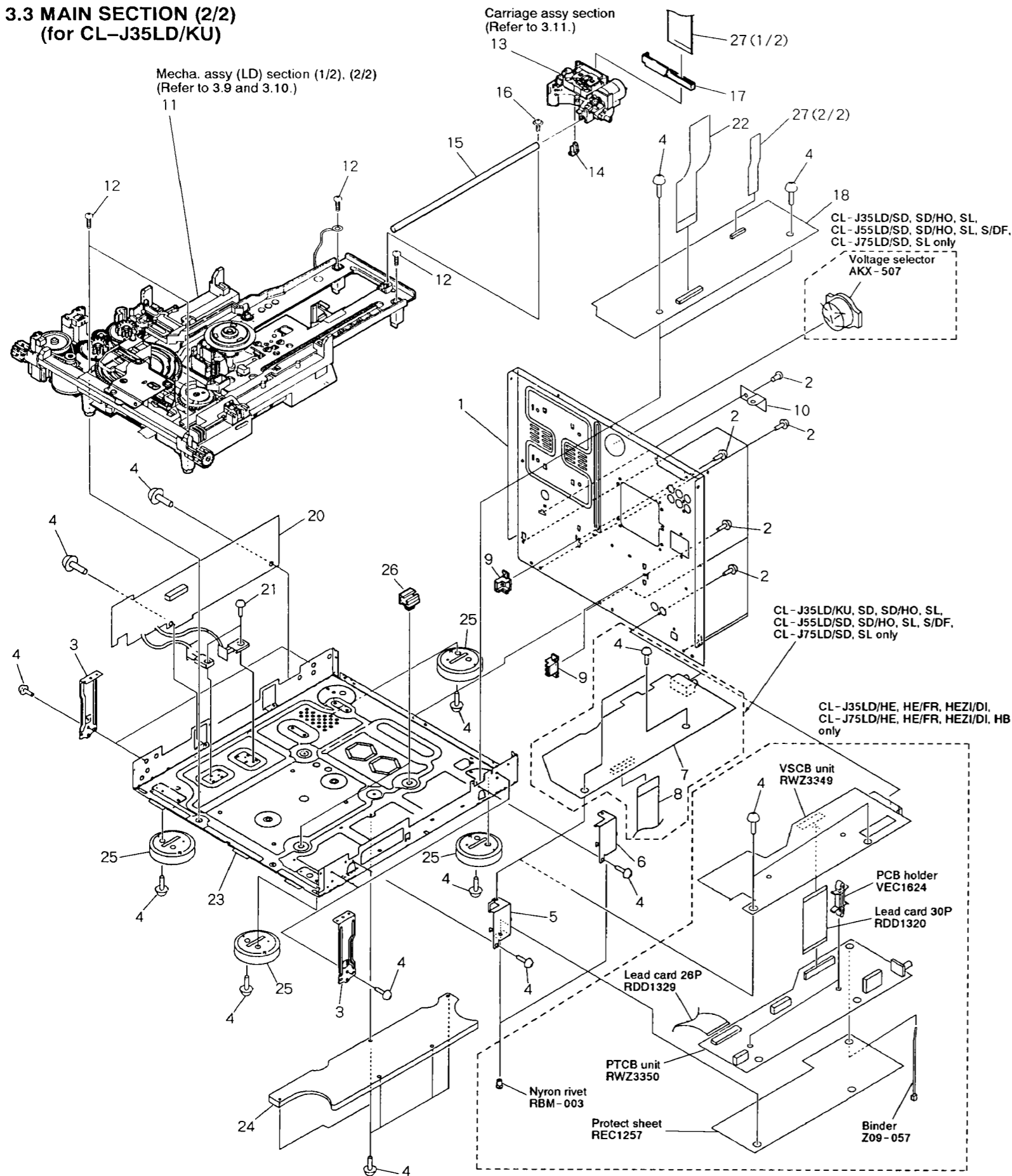
• Disc tray section



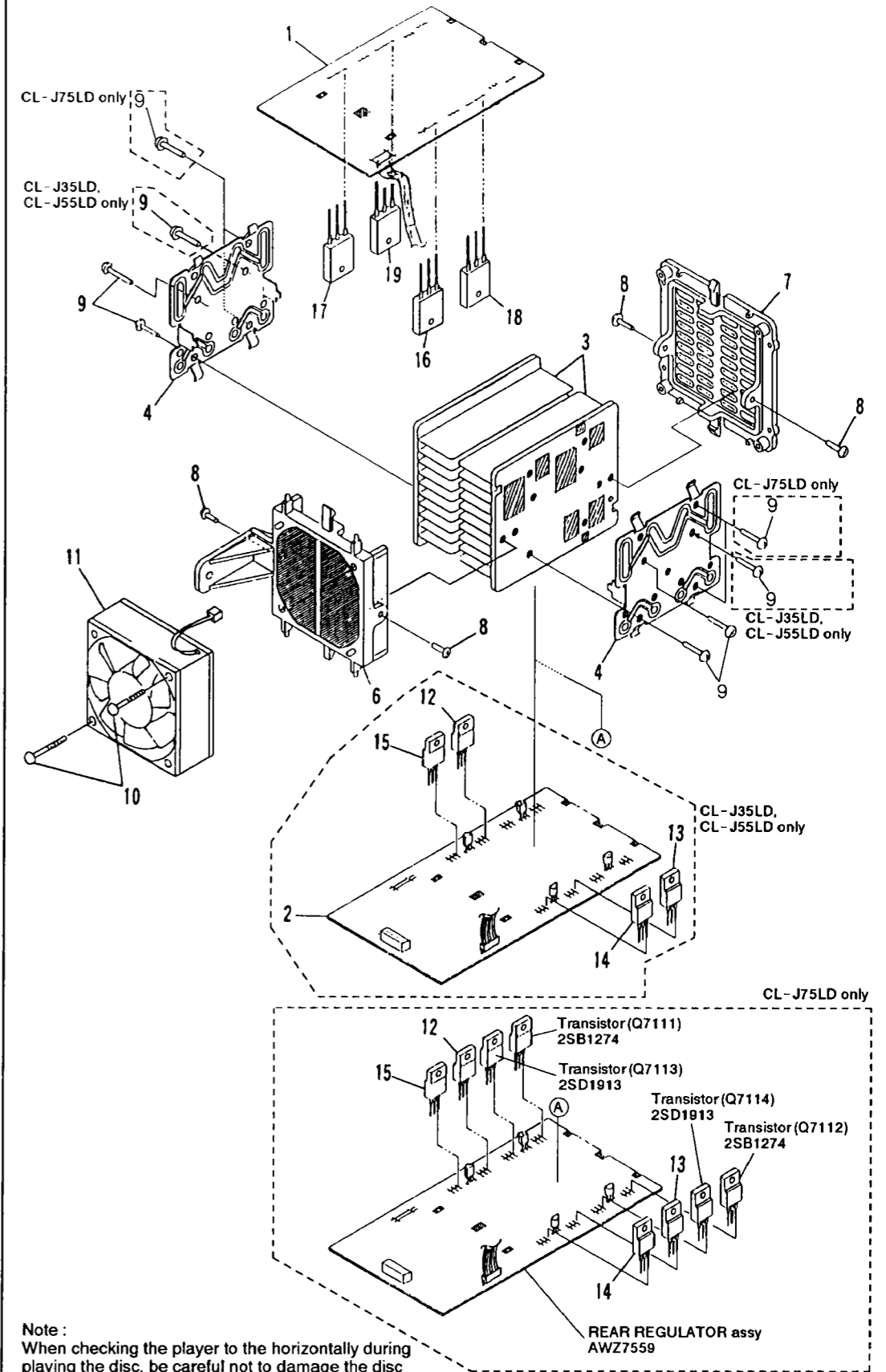
• Main section (1/2)



3.3 MAIN SECTION (2/2)
(for CL-J35LD/KU)



3.4 POWER AMP. MODULE SECTION
(for CL-J35LD/KU)



Note:
When checking the player to the horizontally during
playing the disc, be careful not to damage the disc
and the pickup because of the disc is rolled.

Parts List for Main Section (2/2)

Mark	No.	Description	Part No.
NSP	1	Rear panel	RNA1940
	2	Screw	BBZ30P080FZK
NSP	3	Side angle	RNE1815
	4	Screw	BBZ30P080FMC
NSP	5	PCB angle A	RNE1816
NSP	6	PCB angle B	RNE1822
	7	VIMC unit	RWZ3358
NSP	8	Lead card 26P	RDD1315
	9	Tray stopper	VNL1657
	10	Bracket	RNE1589
NSP	11	Mecha. assy (LD)	VWT1109
	12	Screw	BBZ30P120FMC
	13	Carriage assy	VWT1110
	14	CA hook	VNL1641
	15	Shaft	VLL1453
NSP	16	Screw	IPZ30P060FMC
	17	FFC holder	VNL1656
	18	FTAU unit	RWZ3357
	19	•••••	
	20	SPDR unit	RWZ3359
NSP	21	Screw	BCZ30P080FMC
	22	Lead card 19P	RDD1319
	23	Chassis	RNB1105
NSP	24	Bottom plate	RNE1814
	25	Foot assy	RXA1606
NSP	26	PCB holder	PNY-405
	27	Lead card 23P	RDD1318

Parts List for Power Amp. Module Section

Mark	No.	Description	Part No.
	1	FRONT 50W assy	AWZ7517
	2	REGULATOR assy	AWZ7560
	3	Heat sink	ANH7007
	4	Bracket	ANG1868
	5	•••••	
	6	Mold A	AMR2594
	7	Mold B	AMR2595
	8	Screw (3 × 10)	ABA1021
	9	Screw	BBZ30P140FZK
	10	Screw	BPZ30P350FZK
	11	Fan motor	AXM1019
	12	Regulator IC(IC7401)	NJM7812FAS
	13	Regulator IC(IC7402)	NJM7912FA
	14	Regulator IC(IC7403)	NJM7812FAS
	15	Regulator IC(IC7404)	NJM7805FAS
△	16	Transistor(Q7511)	2SA1263N
△	17	Transistor(Q7512)	2SA1263N
△	18	Transistor(Q7513)	2SC3180N
△	19	Transistor(Q7514)	2SC3180N

3.5 FRONT PANEL SECTION (1/2)
(for CL-J35LD/KU)

Parts List

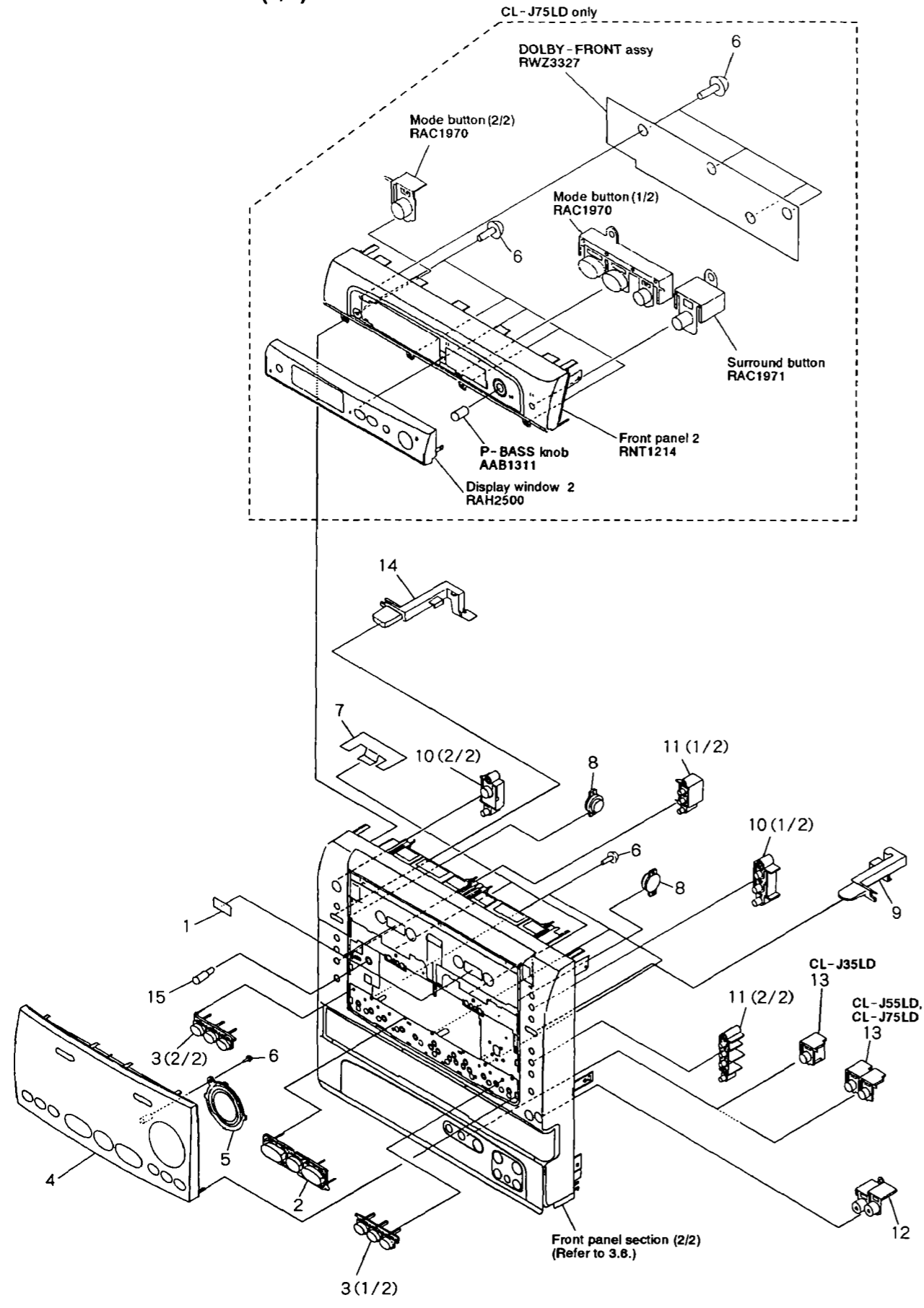
Mark	No.	Description	Part No.
	1	Indicator	REE1026
	2	Multi button	RXA1681
	3	Function button	RAC1934
	4	Display panel	RAH2544
	5	Ring	RNK2121
NSP	6	Screw	BPZ30P080FZK
	7	FL barrier	REC1251
	8	Damper assy	AXA7018
	9	Eject button R	RAC1932
	10	Amp. button A	RAC1984
	11	Amp. button B	RAC1930
	12	O/C button	RAC1943
	13	KARAOKE button	RAC1942
	14	Eject button L	RAC1931
	15	Lens	RAH2542

3.6 FRONT PANEL SECTION (2/2)
(for CL-J35LD/KU)

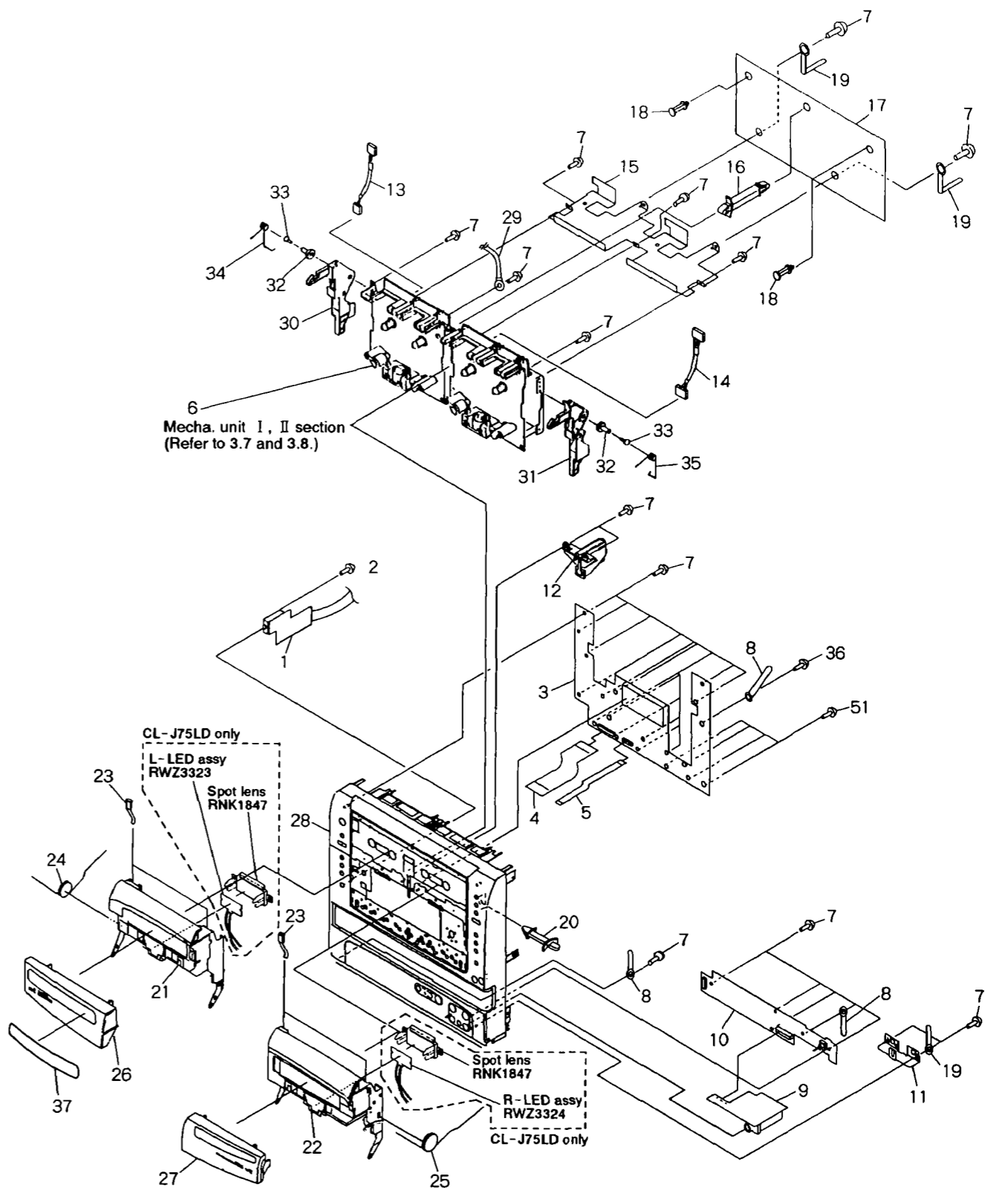
Parts List

Mark	No.	Description	Part No.
NSP	1	H.P. assy	RWZ3351
	2	Screw	ABA1005
	3	U.COM assy	RWZ3376
	4	Lead card 34P	RDD1321
	5	Lead card 14P	RDD1322
	6	Mecha. unit (DECK)	RYM1235
	7	Screw	BPZ30P080FMC
	8	Cord clamper	RNH - 184
	9	MIC assy	RWZ3346
	10	LD-FRONT assy	RWZ3344
NSP	11	Jack bracket	RNE1817
	12	Center bracket	RNK2113
NSP	13	Connector assy 3P	RKP1712
NSP	14	Connector assy 5P	RKP1711
NSP	15	Shield	RNE1818
NSP	16	PCB support	REC1248
	17	DECK assy	RWZ3577
NSP	18	PCB spacer	REC1249
NSP	19	Cord clamper	DNF1128
NSP	20	PC support	VEC1235
	21	Cassette door L	REA1150
	22	Cassette door R	REA1151
	23	Half pressure spring	RBK1004
	24	Door spring R	ABH7002
	25	Door spring L	ABH7001
	26	Door panel L	RAH2481
	27	Door panel R	RAH2482
	28	Front panel	REA1174
NSP	29	Earth lead	XDF - 508
	30	Eject lever L	RNK2133
	31	Eject lever R	RNK2134
	32	Collar	RNK2135
	33	Screw	BSZ20P120FMC
	34	Eject spring L	RBH1411
	35	Eject spring R	RBH1412
NSP	36	Screw	BPZ30P100FZK
	37	Getter	RAX1023

● Front Panel section (1/2)



● Front Panel section (2/2)



3.7 MECHA. UNIT I, II SECTION (1/2)

3.8 MECHA. UNIT I, II SECTION (2/2)

A

A

B

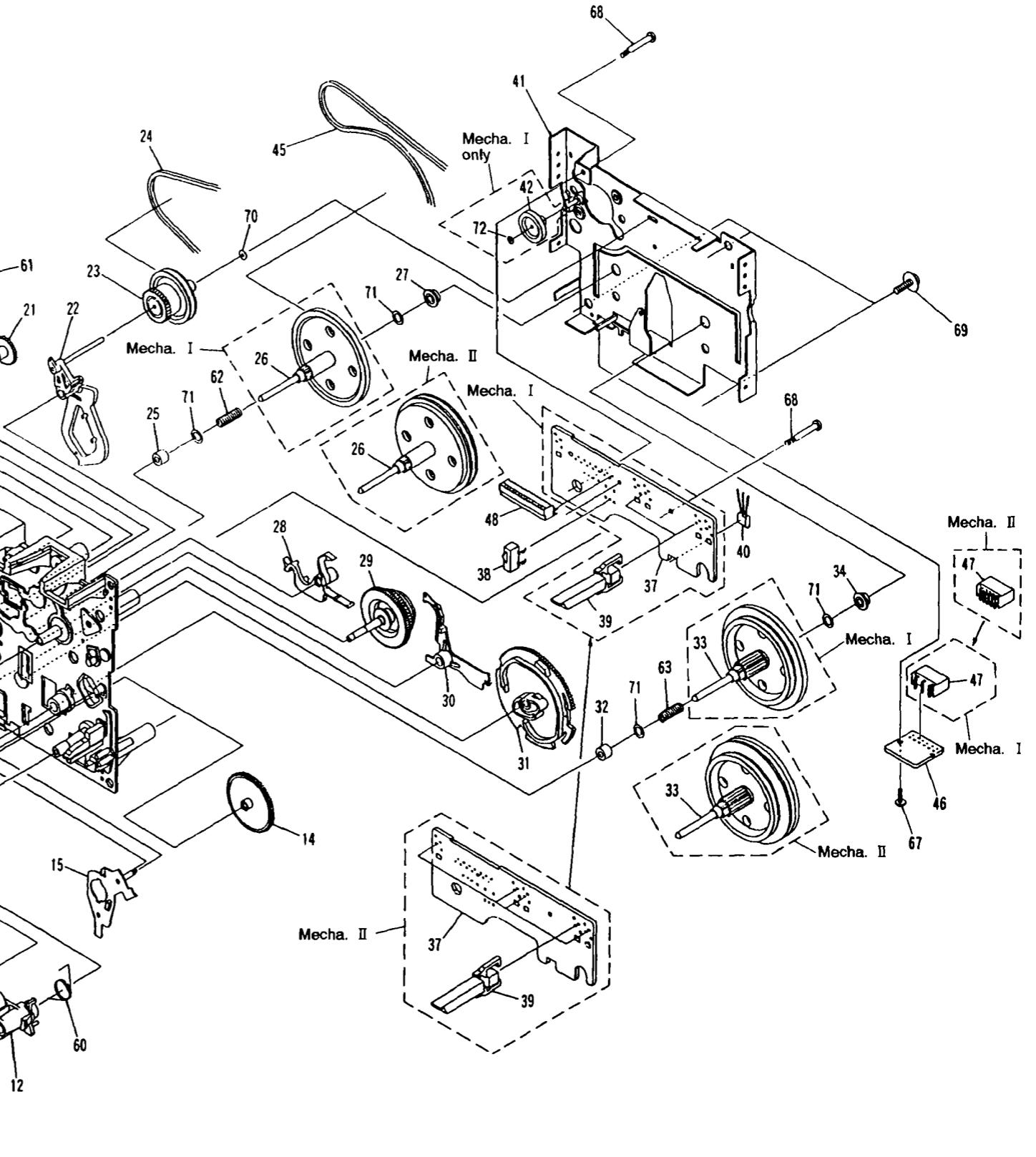
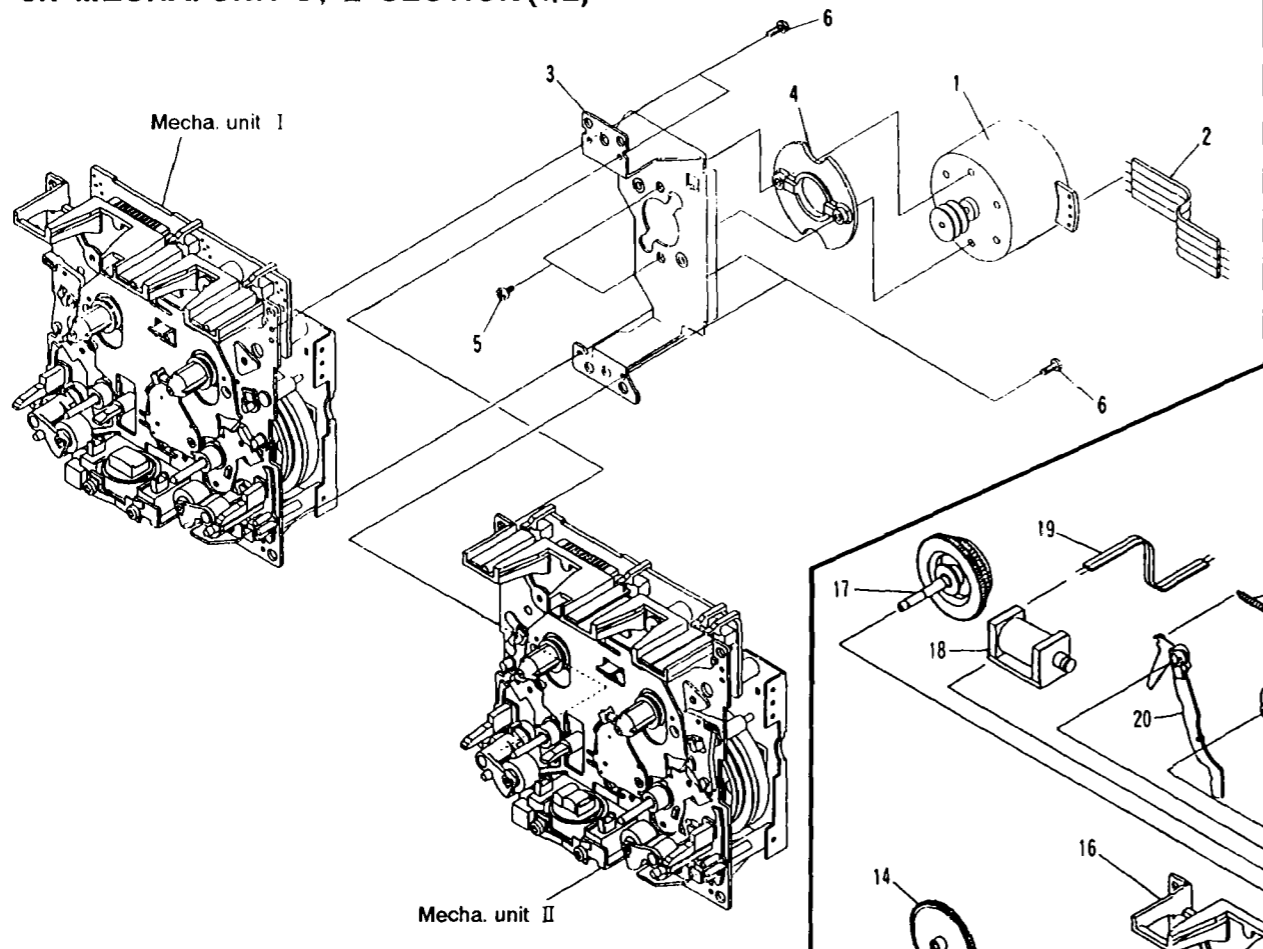
B

C

C

D

D



Parts List for Mecha. unit I , II Section(1/2)

Mark	No.	Description	Part No.
NSP	1	ASSY MOTOR	RXM1080
	2	JUMPER CABLE	RDD1012
	3	BRACKET MOTOR	RNE1830
	4	SPACER	RNK1822
	5	SCREW	RBA1100
	6	SCREW	PCZ20P040FMC

Mark	No.	Description	Part No.
	33	ASSY FLYWHEEL R2 (Mecha. II)	RXA1669
	34	METAL	RNG1004
	35	
	36	
	37	P. C. BOARD	RNP1610
	38	SWITCH MODE	RSN1020
	39	SWITCH(LEAF)	RSN1019
	40	HALL IC	DN6851A
	41	ASSY BRACKET (Mecha. I)	RXA1665

Parts List for Mecha. unit I , II Section(2/2)

Mark	No.	Description	Part No.
	1	ASSY HOLDER HEAD (Mecha. I)	RXA1400
	1	ASSY HOLDER HEAD (Mecha. II)	RXA1664
	2	FRAME HEAD	RNK1715
	3	LEVER HEAD	RNK1716
	4	SPRING AZIMUTH	RBK1006
	5	ASSY ARM ASSIST	RXA1401
	6	GEAR ARM HEAD	RNK1717
	7	SPRING CASSETTE	RBK1039
	8	EJECT LOCK	RNK1718
	9	CAP REEL	RNK1719
	10	ASSY PINCH ARM L	RXA1403
	11	CHASSIS HEAD	RNE1437
	12	ASSY PINCH ARM R	RXA1404
	13	ARM PLAY L	RNK1866
	14	GEAR PLAY	RNK1867
	15	ARM PLAY R	RNK1868
	16	CHASSIS OS	RXA1411
	17	ASSY SUB REEL L	RXA1407
	18	SOLENOID	RXP1020
	19	WIRE	RDC1006
	20	ARM RVS	RNK1721
	21	GEAR FF	RNK1723
	22	ASSY ARM FR	RXA1412
	23	ASSY PULLEY FR	RXA1413
	24	BELT FR	REB1158
	25	METAL	RNG1048
	26	ASSY FLYWHEEL L (Mecha. I)	RXA1666
	26	ASSY FLYWHEEL L2 (Mecha. II)	RXA1668
	27	METAL	RNG1005
	28	ARM BRAKE	RNK1724
	29	ASSY SUB REEL R	RXA1408
	30	ARM TRIGGER	RNK1722
	31	GEAR CAM	RNK1725
	32	METAL	RNG1049
	33	ASSY FLYWHEEL R (Mecha. I)	RXA1667

	41	BRACKET FW (Mecha. II)	RNE1438
	42	PULLEY (Mecha. I only)	RNK2132
	43	
	44	
	45	BELT MAIN (Mecha. I)	REB1273
	45	BELT MAIN (Mecha. II)	REB1272
	46	P. C. BOARD	RNP1348
	47	HOUSING (Mecha. I)	RKP1396
	47	HOUSING (Mecha. II)	RKP1397
	48	CONNECTOR (Mecha. I)	RKP1713
	48	CONNECTOR (Mecha. II)	RKP1714
	49	
	50	
	51	SPRING	RBH1282
	52	SPRING	RBH1283
	53	SPRING	RBH1284
	54	SPRING	RBH1286
	55	SPRING	RBH1288
	56	SPRING	RBH1291
	57	SPRING	RBH1285
	58	SPRING	RBH1287
	59	SPRING	RBH1289
	60	SPRING	RBH1290
	61	SPRING	RBH1292
	62	FWP SP (SPRING)	RBH1061
	63	SPRING	RBH1325
	64	SCREW (azimuth)	RBA1023
	65	SCREW	RBA1027
	66	SCREW	RBA1030
	67	SCREW	PCZ20P040FMC
	68	SCREW	RBA1093
	69	SCREW	RBA1094
	70	WASHER	RBH1046
	71	WASHER	WA26D047D013
	72	WASHER (Mecha. I only)	WT13D030D025

3.9 MECHA. ASSY (LD) SECTION (1/2)

Mark	No.	Description	Part No.
	1	Clamp cam	VNL1633
	2	CDP spring	VBH1191
	3	Screw	Z39-019
	4	CD plate	VNL1632
	5	Rubber belt	VEB1184
	6	Gear pulley	VNL1662
	7	Twin gear	VNL1626
	8	Center gear	VNL1660
	9	Mecha. base	VNK2685
	10	Screw	BMZ26P040FMC
	11	Roller	VNL1042
NSP	12	Motor pulley	VNL1630
	13	Synchro. gear assy	VXA2105
NSP	14	LMSB assy	VWG1554
	15	Screw	Z39-019
NSP	16	Carriage motor	VXM1033
	17	Shaft holder	VNE1942
	18	CAS spring	VBH1190
	19	Cam plate	VNL1631
	20	Cam gear	VNL1625
	21	Loading motor assy	VXX2045
	22	MB - SW lever	VNL1664
	23	Slider R	VNL1666
	24	Slider L	VNL1665
	25	Double gear	VNL1661
	26	Flexible cable(10P)	VDA1466

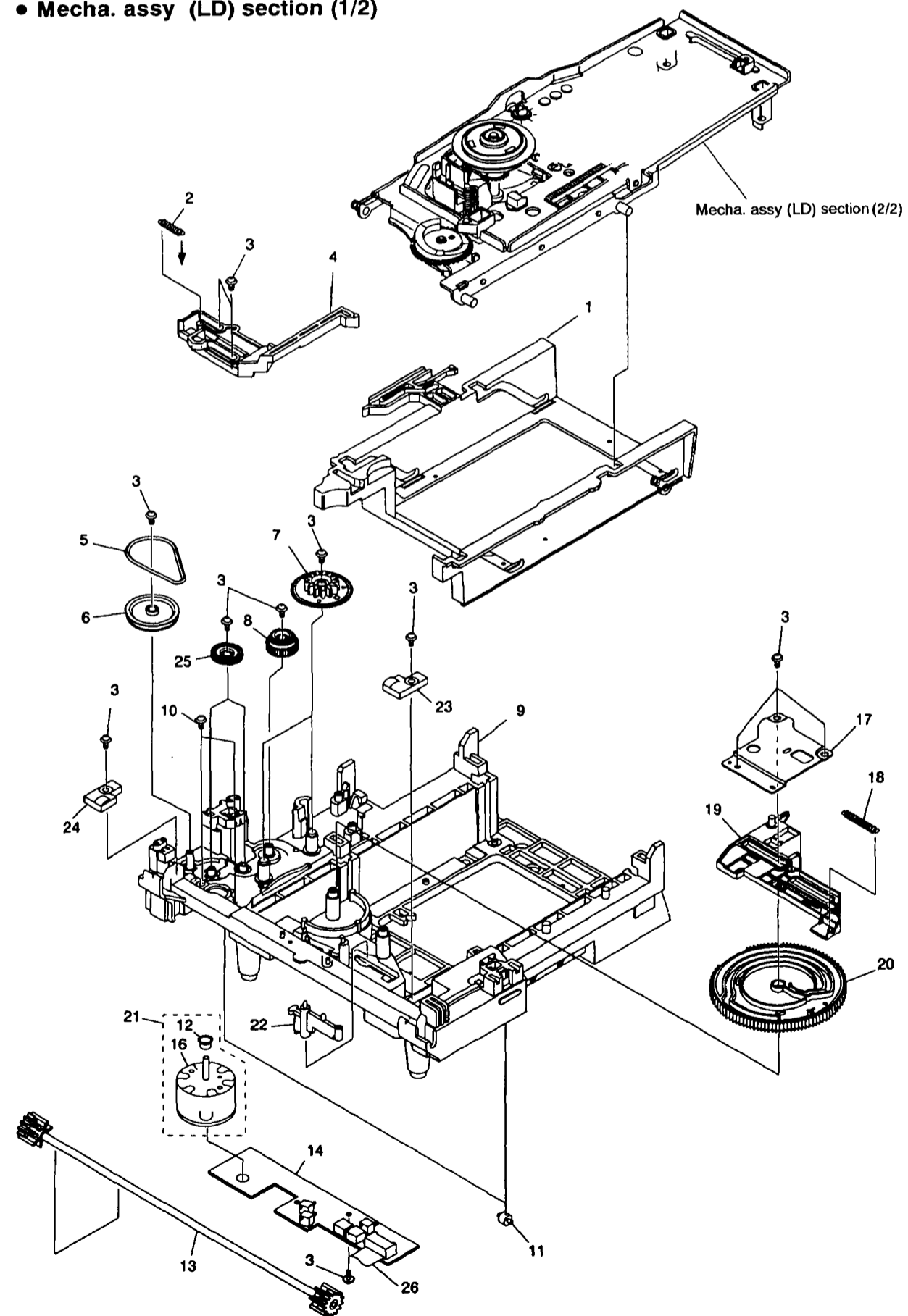
3.10 MECHA. ASSY (LD) SECTION (2/2)

Mark	No.	Description	Part No.
	1	CA rack	VNL1647
	2	Screw	IBZ26P060FMC
	3	Tilt base	VNL1642
	4	Radial spring	VBH1246
	5	Thrust spring	VBH1245
	6	CA - SW lever	VNL1644
NSP	7	PKSB assy	VWG1555
	8	Tilt tension spring	VBH1244
NSP	9	FG assy	VWG1556
	10	Screw	ABZ30P300FMC
	11	FG base	VNL1645
	12	Tilt cam	VNL1643
	13	Tilt cam spring	VBH1243
	14	Motor base	VNE1941
	15	Spindle motor assy	VXA2125
	16	Screw	IBZ26P120FMC
	17	•••••	
	18	Centering hab	VNL1623
	19	Centering spring	VBH1083
	20	Rubber sheet	VEB1237
NSP	21	Turn table assy	VXA2106
	22	•••••	
NSP	23	Spindle motor	VXM1057
	24	Housing assy (3P : blue)	VKP2045
	25	Housing assy (3P : yellow)	VKP2046

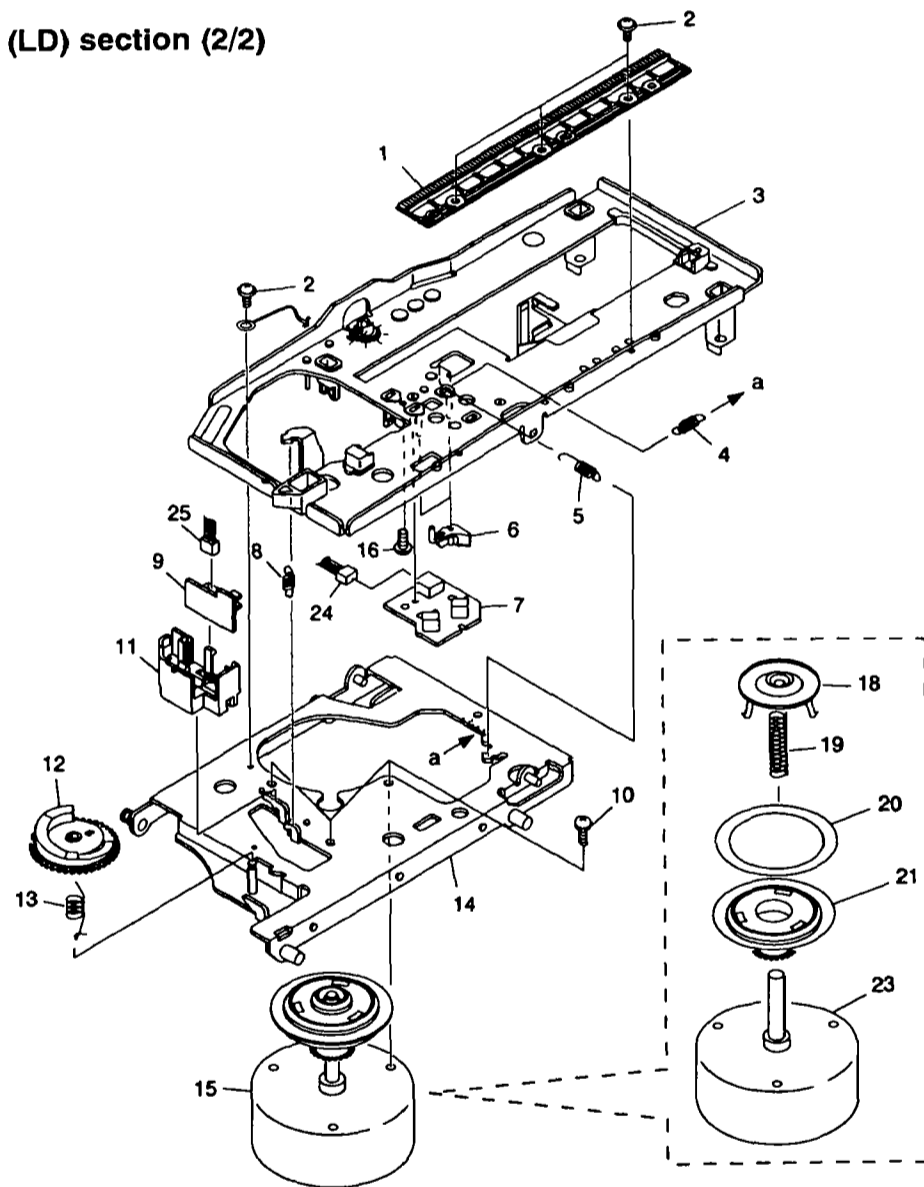
3.11 CARRIAGE ASSY SECTION

Mark	No.	Description	Part No.
	1	CA gear A	VNL1638
	2	CA gear B	VNL1639
	3	Slider motor assy	VXX2082
	4	Motor holder	VNL1637
	5	Screw	PMA20P060FMC
	6	•••••	
	7	Screw	PMZ20P030FMC

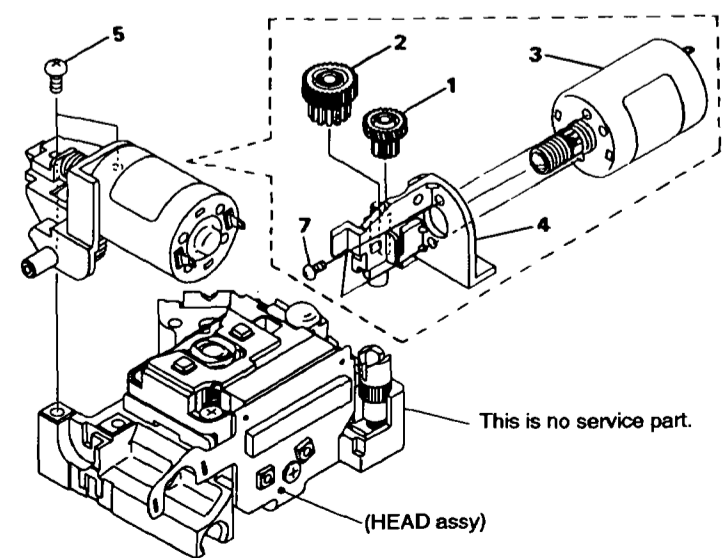
• Mecha. assy (LD) section (1/2)



• Mecha. assy (LD) section (2/2)



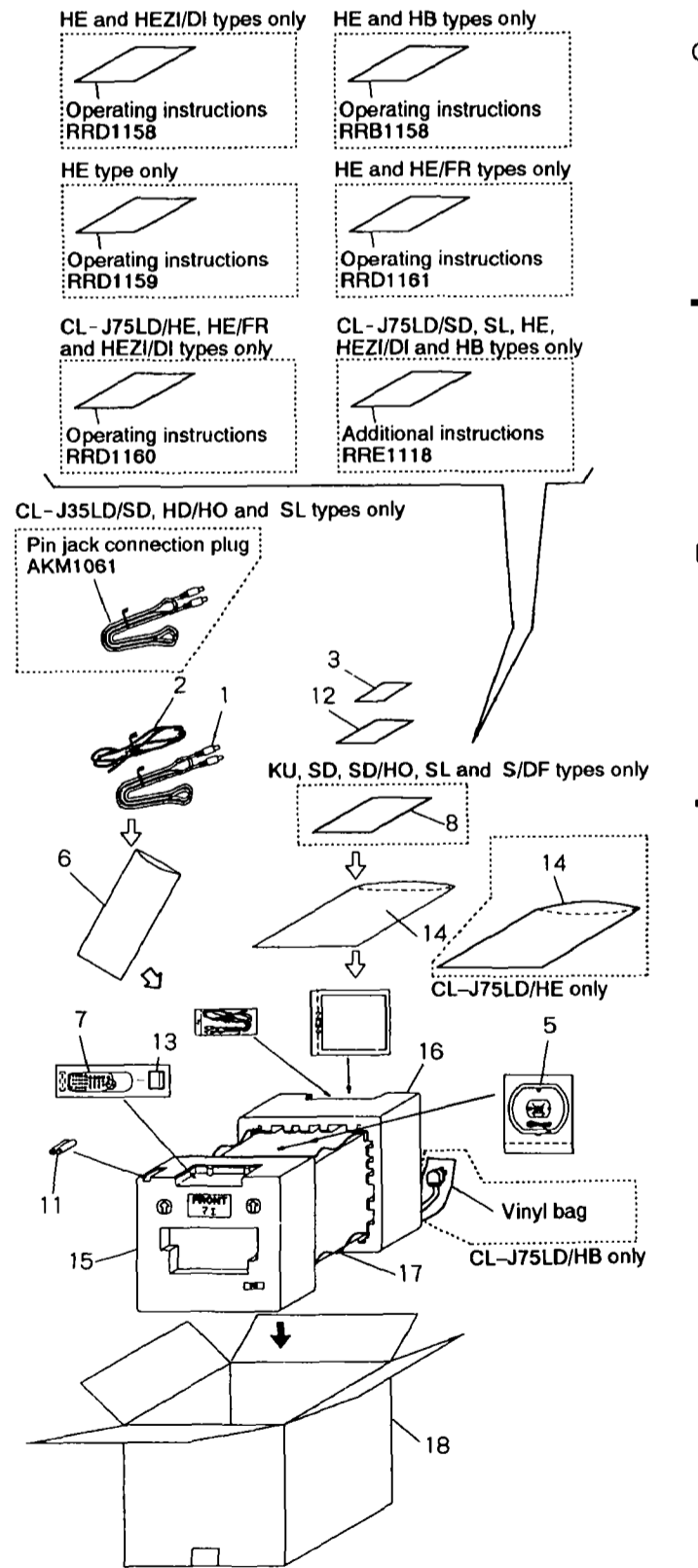
• Carriage assy section



3.12 PACKING (for CL-J35LD/KU)

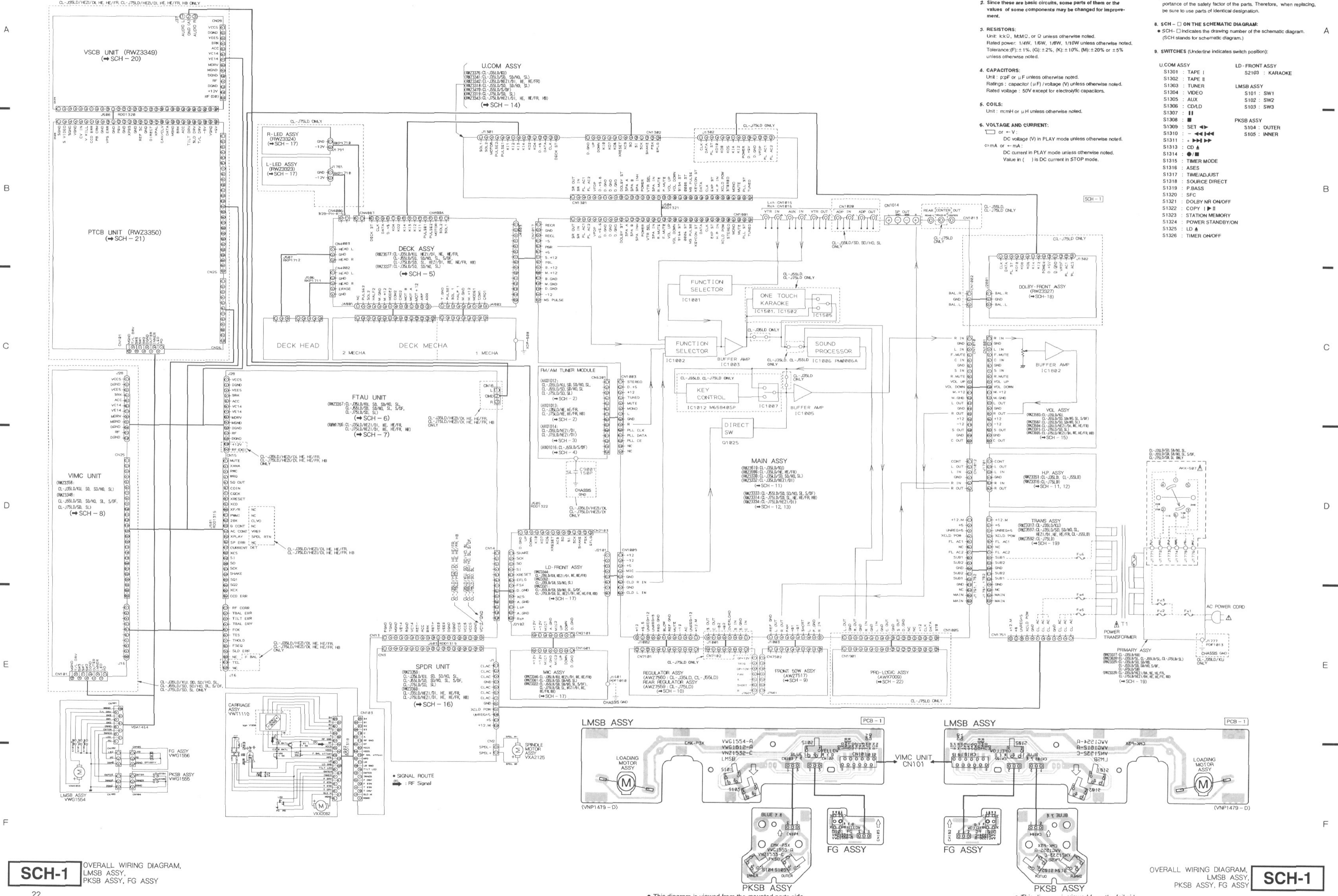
Parts List

Mark	No.	Description	Part No.
	1	Connection cord with plug	ADE1059
	2	FM antenna	ADH1017
NSP	3	Warranty card	ARY1044
	4	•••••	
	5	Loop antenna assy	ATB1012
NSP	6	Vinyl bag	RHL-052
	7	Remote control unit	RPX1084
	8	Operating instructions (English/Spanish/Chinese)	RRE1117
	9	•••••	
	10	•••••	
NSP	11	Batteries(R03, AAA)	VEM-022
	12	Caution sheet(UC)	VRR1020
	13	Battery lid	AZA7050
	14	Vinyl bag	Z21-038
	15	Pad F	RHA1160
	16	Pad R	RHA1161
	17	Mirror mat sheet	RHC1059
	18	Packing case	RHG1661



4. SCHEMATIC AND PCB CONNECTION DIAGRAMS

4.1 OVERALL WIRING DIAGRAM, LMSB, PKSB AND FG ASSEMBLIES



NOTE FOR SCHEMATIC DIAGRAMS (Type 4A)

- When ordering service parts, be sure to refer to "PARTS LIST OF EXPLODED VIEWS" or "PCB PARTS LIST".
- Since these are basic circuits, some parts of them or the values of some components may be changed for improvement.
- RESISTORS:**
Unit: k: kΩ, M: MΩ, Q: Ω unless otherwise noted.
Rated power: 1/4W, 1/8W, 1/10W unless otherwise noted.
Tolerance: (F): ±1%, (G): ±2%, (K): ±10%, (M): ±20% or ±5% unless otherwise noted.
- CAPACITORS:**
Unit: p: pF or μF unless otherwise noted.
Ratings: capacitor (μF) voltage (V) unless otherwise noted.
Rated voltage: 50V except for electrolytic capacitors.
- COILS:**
Unit: m: mH or μH unless otherwise noted.
- VOLTAGE AND CURRENT:**
DC voltage (V) in PLAY mode unless otherwise noted.
DC current in PLAY mode unless otherwise noted.
Value in () is DC current in STOP mode.

OTHERS:

- ⊙ or ⊛: Adjusting point.
- ⊙: Measurement point.
- ⊙: The ⊙ mark found on some component parts indicates the importance of the safety factor of the parts. Therefore, when replacing, be sure to use parts of identical designation.

SCH - □ ON THE SCHEMATIC DIAGRAM:

- SCH-□: Indicates the drawing number of the schematic diagram. (SCH stands for schematic diagram.)

SWITCHES (Underline indicates switch position):

- S1301: TAPE I
- S1302: TAPE II
- S1303: TUNER
- S1304: VIDEO
- S1305: AUX
- S1306: CD/LD
- S1307: II
- S1308: SET
- S1310: -
- S1311: <<<<<<
- S1313: CD
- S1314: ●/■
- S1315: TIMER MODE
- S1316: ASSES
- S1317: TIME/ADJUST
- S1318: SOURCE DIRECT
- S1319: P.BASS
- S1320: SFC
- S1321: DOLBY NR ON/OFF
- S1322: COPY I/II
- S1323: STATION MEMORY
- S1324: POWER STANDBY/ON
- S1325: LD
- S1326: TIMER ON/OFF

LD - FRONT ASSY

- S2103: KARAOKE

LMSB ASSY

- S101: SW1
- S102: SW2
- S103: SW3

PKSB ASSY

- S104: OUTER
- S105: INNER

SCH-1 OVERALL WIRING DIAGRAM, LMSB ASSY, PKSB ASSY, FG ASSY

OVERALL WIRING DIAGRAM, LMSB ASSY, PKSB ASSY, FG ASSY **SCH-1**

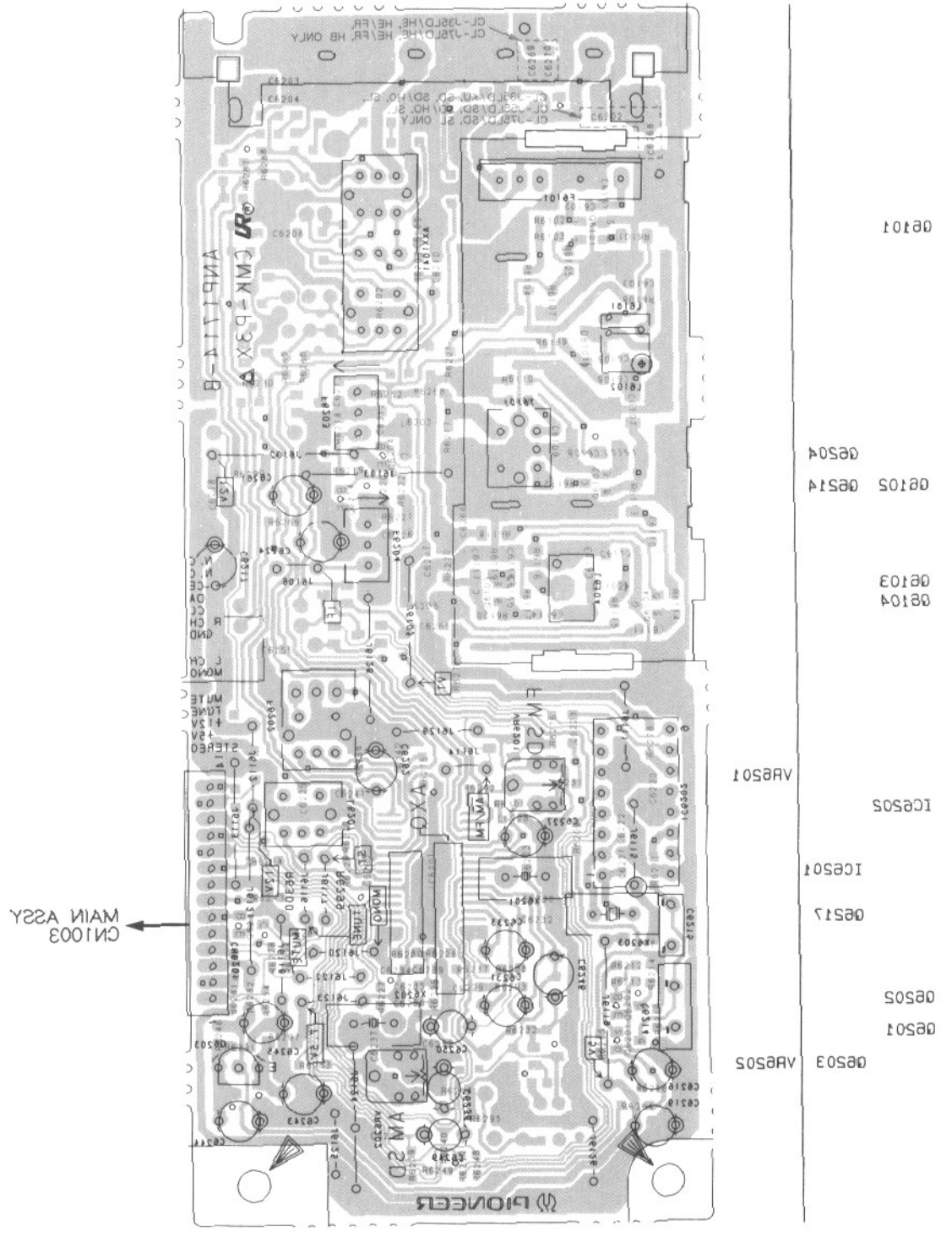
• This diagram is viewed from the mounted parts side. • This diagram is viewed from the foil side.

A

A

PCB - 5

FM\AM TUNER MODULE



• This diagram is viewed from the foil side.

4.2 FM/AM TUNER MODULE (AXQ1012, AXQ1013)

- For CL-J35LD/KU, SD, SD/HO, SL, HE, HE/FR,
CL-J55LD/SD, SD/HO, SL,
CL-J75LD/SD, SL, HE, HE/FR, HB

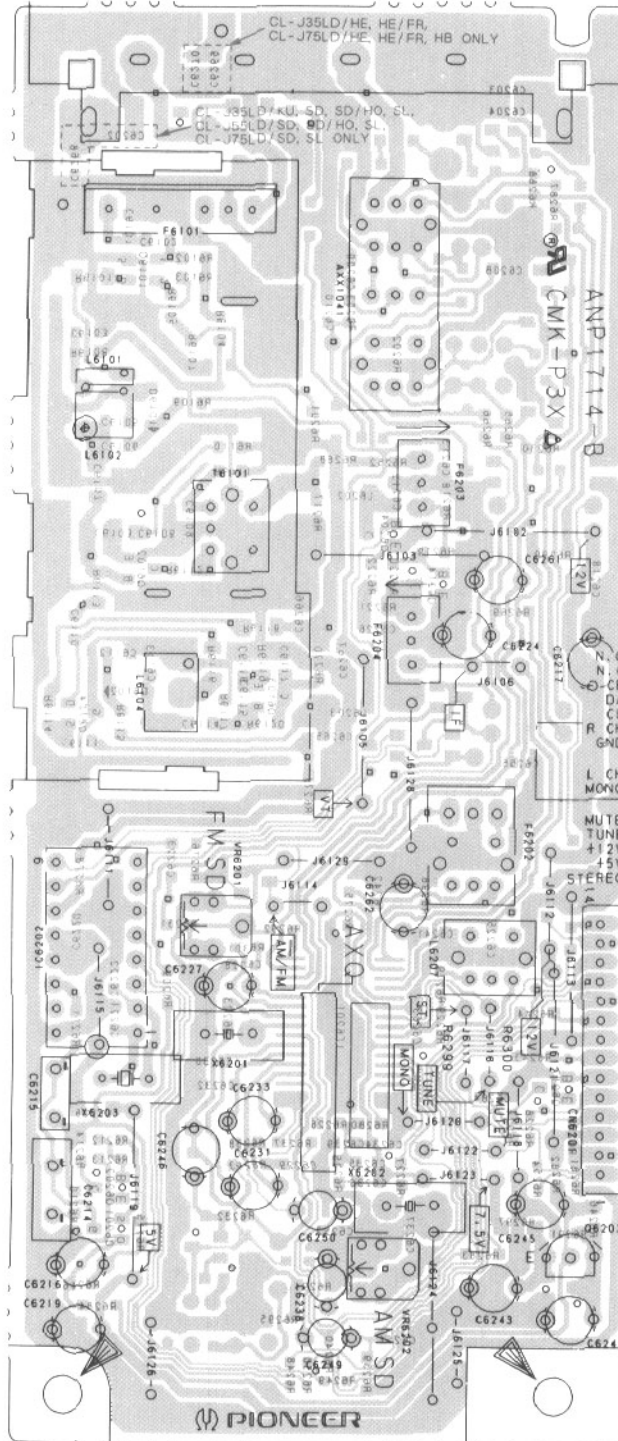
NOTE FOR PCB DIAGRAMS:

1. Part numbers in PCB diagrams match those in the schematic diagrams.
2. A comparison between the main parts of PCB and schematic diagrams is shown below.

A

PCB - 2

FM/AM TUNER MODULE



Symbol in PCB Diagrams	Symbol in Schematic Diagrams	Part Name
		Transistor
		Transistor with resistor
		Field effect transistor
		Resistor array
		3-terminal regulator

NOTE FOR PCB DIAGRAMS:

1. Part numbers in PCB diagrams match those in the schematic diagrams.
2. A comparison between the main parts of PCB and schematic diagrams is shown below.

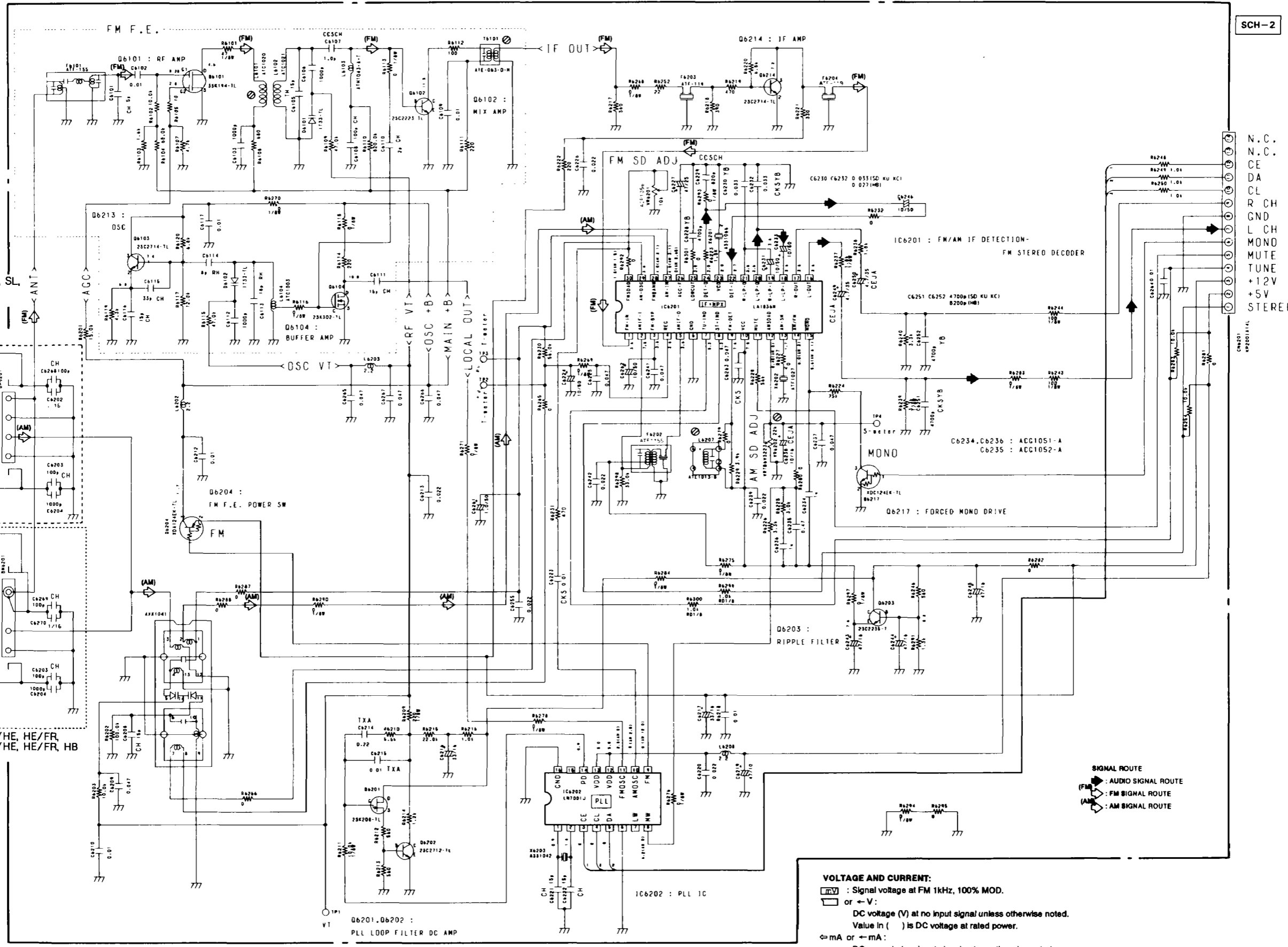
Symbol in PCB Diagrams	Symbol in Schematic Diagrams	Part Name
		Transistor
		Diode
		Capacitor (Polarized)

3. The transistor terminal marked with E or [shows the emitter.
4. The diode terminal marked with ⊕ or ⊖ shows cathode side.
5. The capacitor terminal marked with ⊕ or ⊖ shows negative terminal.

MAIN ASSY
CN1003

• This diagram is viewed from the mounted parts side.

FM/AM TUNER MODULE (AXQ1012: CL-J35LD/KU, SD, SD/HO, SL, CL-J55LD/SD, SD/HO, SL, CL-J75LD/SD, SL)
(AXQ1013: CL-J35LD/HE, HE/FR, CL-J75LD/HE, HE/FR, HB)



CL-J35LD/KU, SD, SD/HO, SL,
CL-J55LD/SD, SD/HO, SL,
CL-J75LD/SD, SL ONLY

CL-J35LD/HE, HE/FR,
CL-J75LD/HE, HE/FR, HB
ONLY

VOLTAGE AND CURRENT:
 [Symbol] : Signal voltage at FM 1kHz, 100% MOD.
 [Symbol] or ← V :
 DC voltage (V) at no input signal unless otherwise noted.
 Value in () is DC voltage at rated power.
 ← mA or ← mA :
 DC current at no input signal unless otherwise noted.

SIGNAL ROUTE
 (FM) : AUDIO SIGNAL ROUTE
 (AM) : FM SIGNAL ROUTE
 (AM) : AM SIGNAL ROUTE

SCH-2 FM/AM
TUNER MODULE
(AXQ1012, AXQ1013)

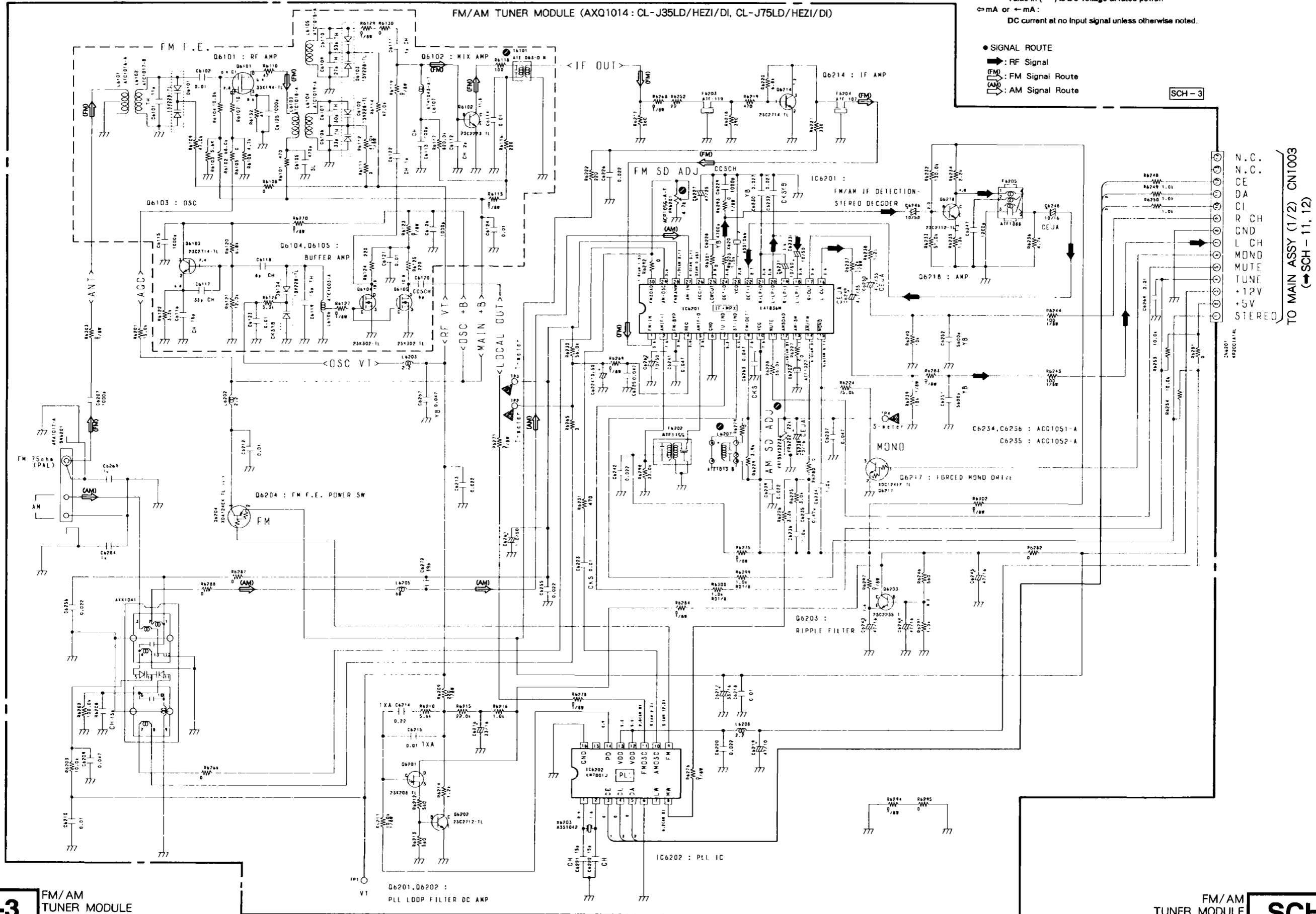
FM/AM
TUNER MODULE
(AXQ1012, AXQ1013) **SCH-2**

4.3 FM/AM TUNER MODULE (AXQ1014)

• For CL-J35LD/HEZI/DI, CL-J75LD/HEZI/DI

VOLTAGE AND CURRENT:
 : Signal voltage at FM 1kHz, 100% MOD.
 or \leftarrow V :
 DC voltage (V) at no input signal unless otherwise noted.
 Value in () is DC voltage at rated power.
 mA or \leftarrow mA :
 DC current at no input signal unless otherwise noted.

• SIGNAL ROUTE
 : RF Signal
 : FM Signal Route
 : AM Signal Route



N.C.
 N.C.
 CE
 DA
 CL
 R CH
 GND
 L CH
 MONO
 MUTE
 TUNE
 +12V
 +5V
 STEREO

TO MAIN ASSY (1/2) CNT1003
 (SCH-11, 12)

SCH-3 FM/AM TUNER MODULE (AXQ1014)

FM/AM TUNER MODULE (AXQ1014) **SCH-3**

FM/AM TUNER MODULE

A

A

B

B

C

C

D

D

Q6101

Q6102 Q6204
Q6214

Q6103
Q6105

IC6202

VR6201

IC6201

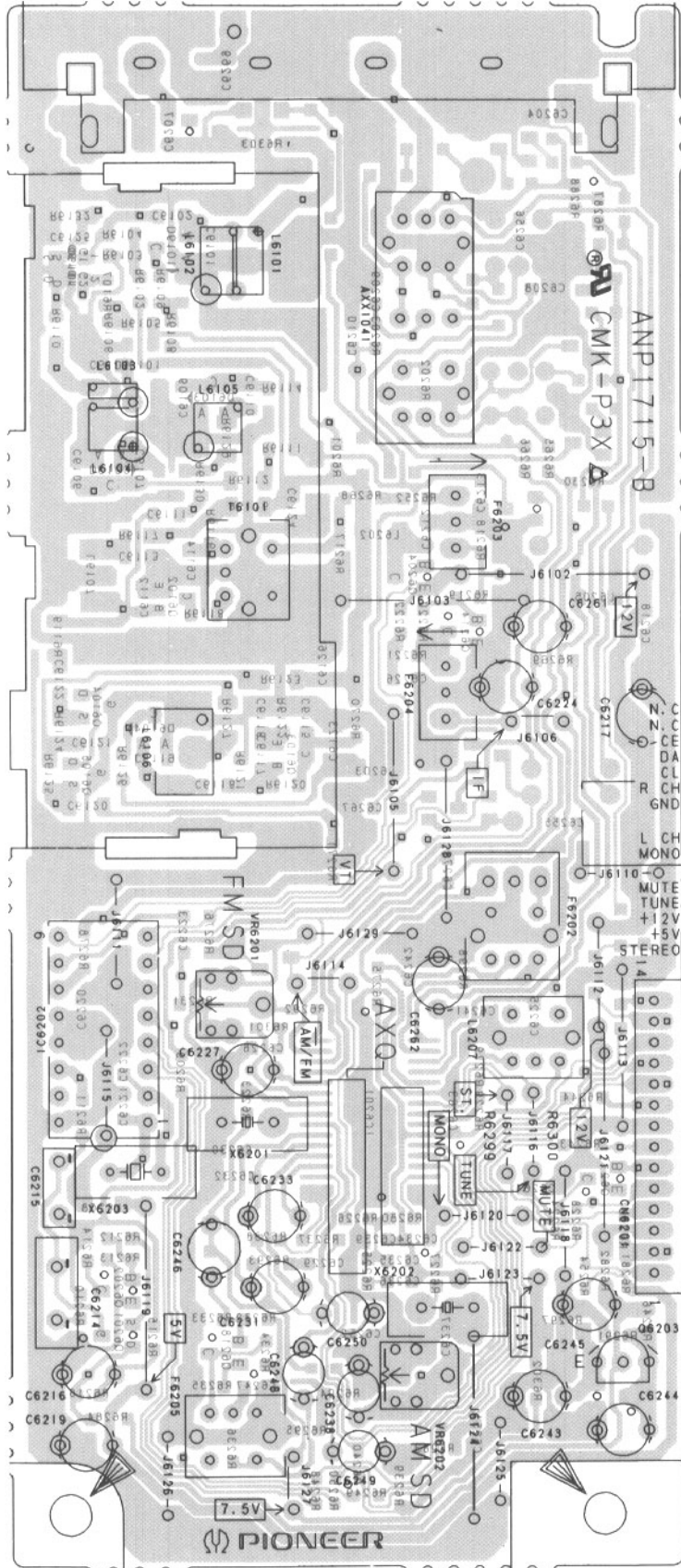
Q6217

Q6202

Q6201

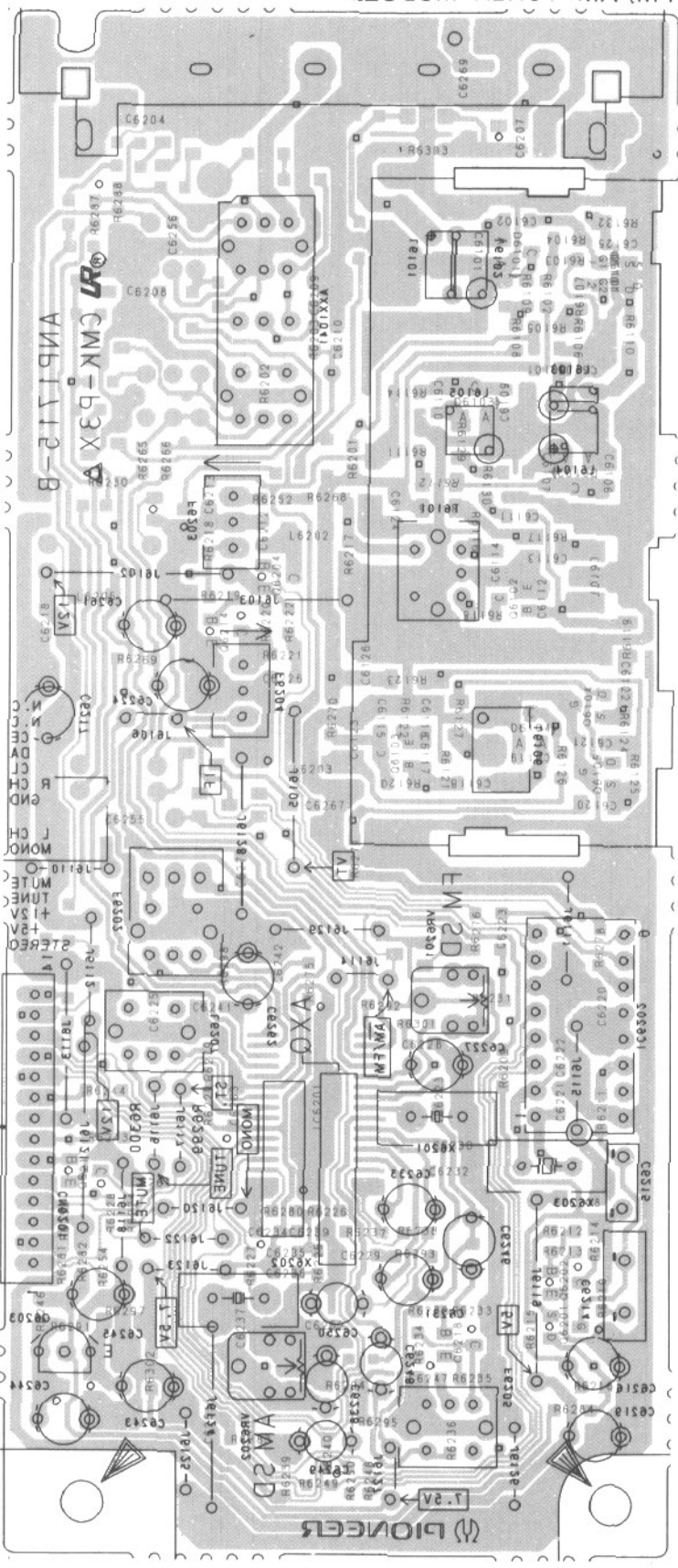
Q6218 Q6203

VR6202



● This diagram is viewed from the mounted parts side.

FM\AM TUNER MODULE



• This diagram is viewed from the foil side.

← CN1003 MAIN ASSY

A

B

C

D

A

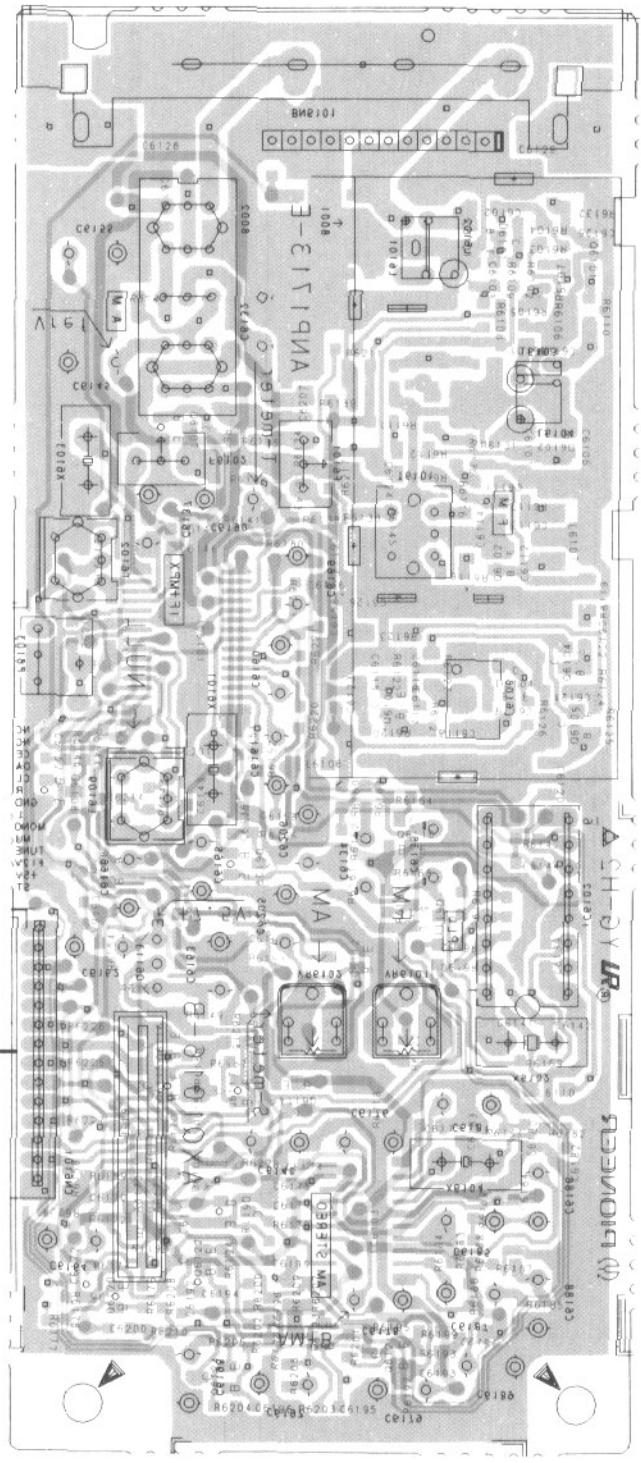
B

C

D

PCB - 4

FM/AM TUNER MODULE



MAIN ASSY

- This diagram is viewed from the gray colored foil side.
- This PCB is double sided.

- 08101
- 08102
- 08105
- IC8101
- 08104
- 08102 08103
- 08108
- 08110
- 08109 08108
- IC8105 08111
- 08115
- 08113
- AV8101
- AV8105
- 08112
- 08114 08113
- 08118
- IC8103 08119
- 08150
- 08153
- 08151
- 08154

A

B

C

D

A

B

C

D

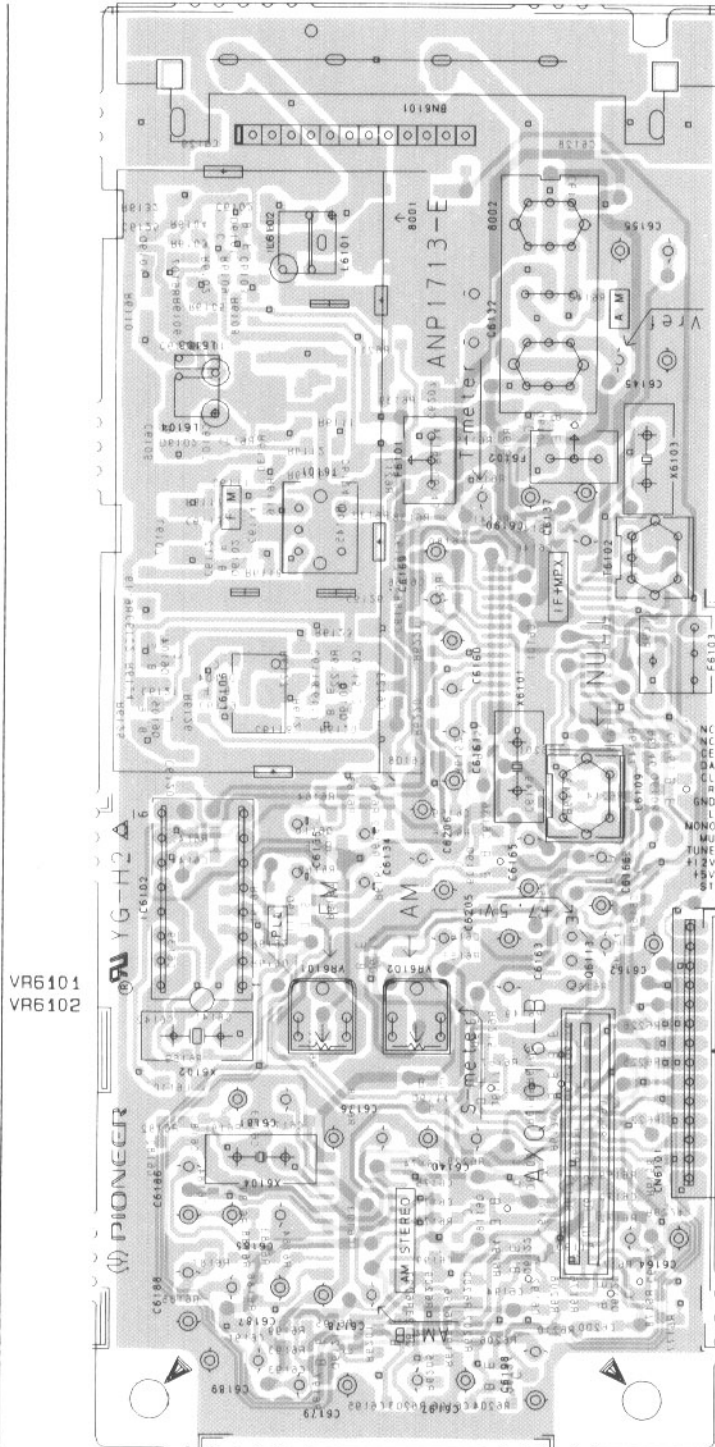
4.4 FM/AM TUNER MODULE (AXQ1016)

• For CL-J55LD/S/DF

PCB - 4

FM/AM TUNER MODULE

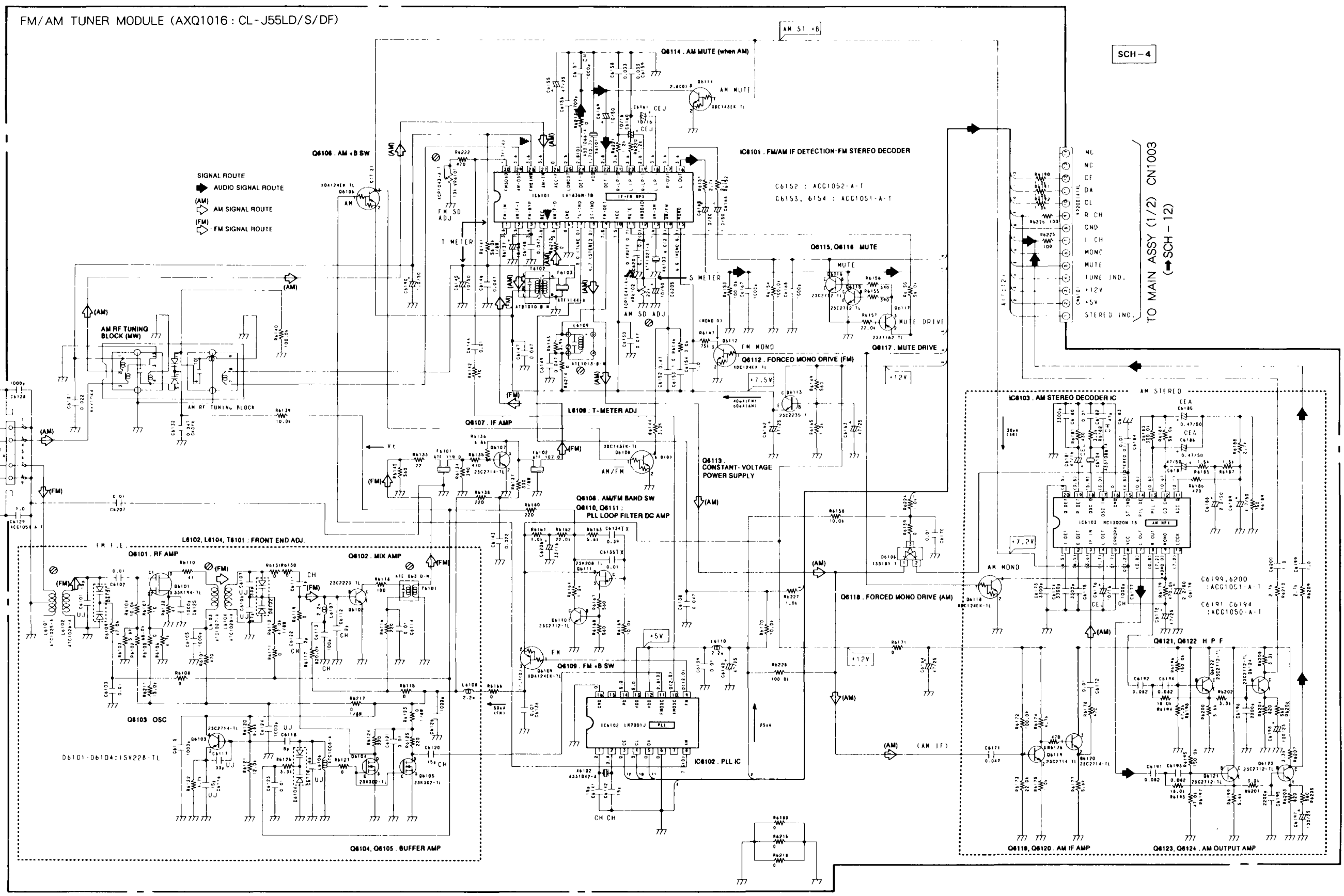
- Q6101
- Q6107
- Q6102
- Q6104 IC6101
- Q6105 Q6103
- Q6108
- Q6110
- Q6109 Q6106
- IC6102 Q6111
- Q6112
- Q6113
- VR6101 VR6102
- Q6114 Q6117
- Q6118
- IC6103 Q6122
- Q6119 Q6120
- Q6123
- Q6121 Q6124



- This diagram is viewed from the pink colored foil side.
- This PCB is double sided.

A
B
C
D
E
F

A
B
C
D
E
F



VOLTAGE AND CURRENT:
 [Symbol] : Signal voltage at FM 1kHz, 100% MOD.
 [Symbol] or -V :
 DC voltage (V) at no input signal unless otherwise noted.
 Value in () is DC voltage at rated power.
 [Symbol] mA or [Symbol] mA :
 DC current at no input signal unless otherwise noted.

SCH-4 FM/AM
TUNER MODULE
(AXQ1016)

FM/AM
TUNER MODULE
(AXQ1016) **SCH-4**

A
B
C
D
E
F

A
B
C
D
E
F

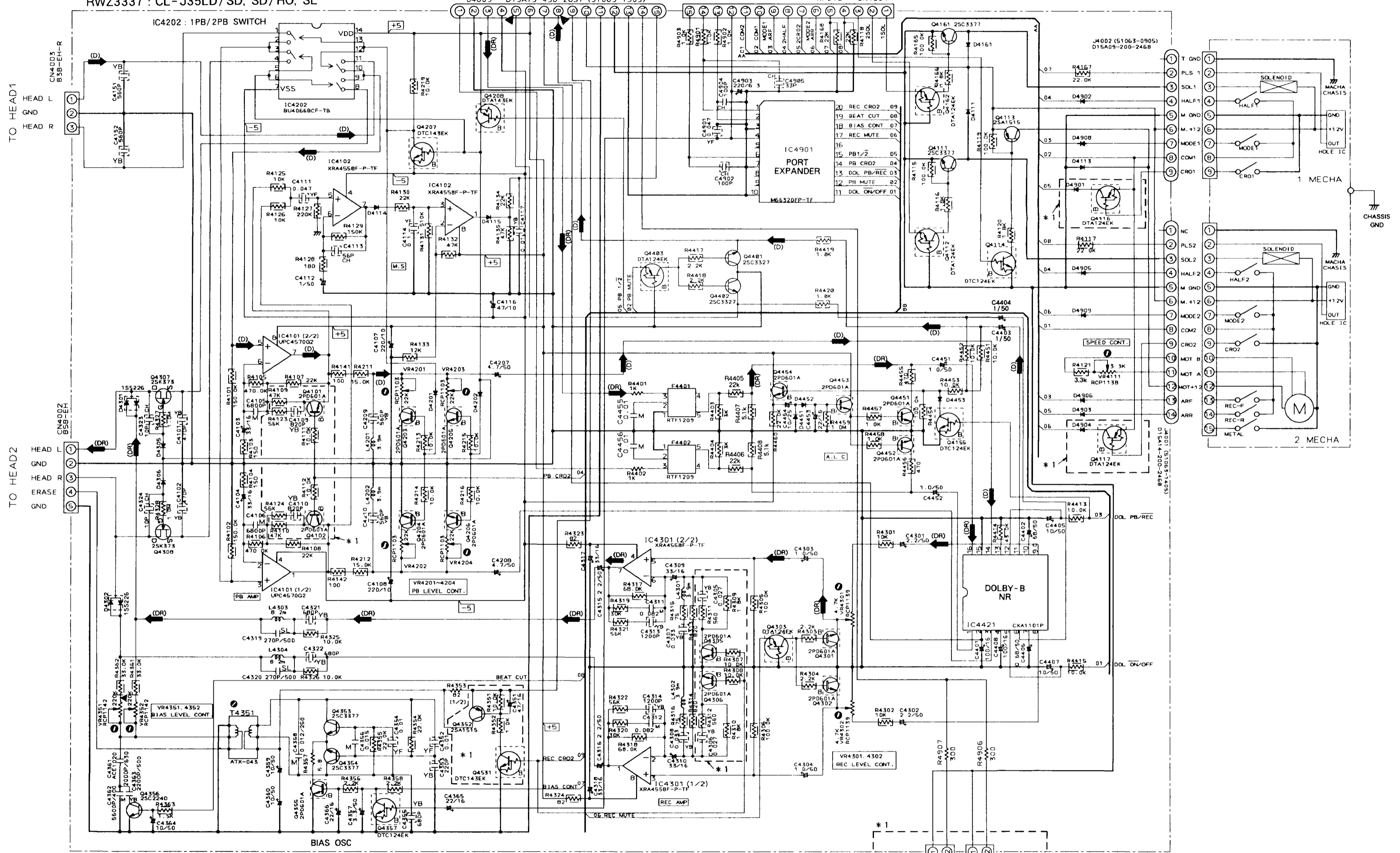
DECK ASSY
RWZ3577 : CL-J35LD/KU, HEZI/DI, HE, HE/FR,
CL-J55LD/SD, SD/HO, SL, S/DF,
CL-J75LD/SD, SL, HEZI/DI, HE, HE/FR, HB
RWZ3337 : CL-J35LD/SD, SD/HO, SL

TO MAIN ASSY (1/2)
CN1017 (SCH - 11, 12)

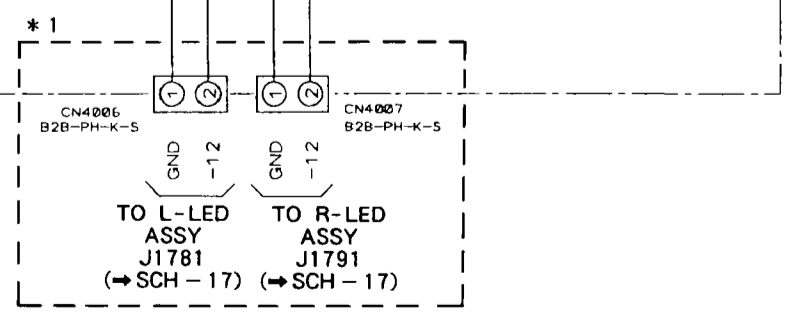
TO U.COM ASSY
J1301 (SCH - 14)

• SIGNAL ROUTE
(D) : Deck Playback Signal
(DR) : Deck Recording Signal

SCH - 5



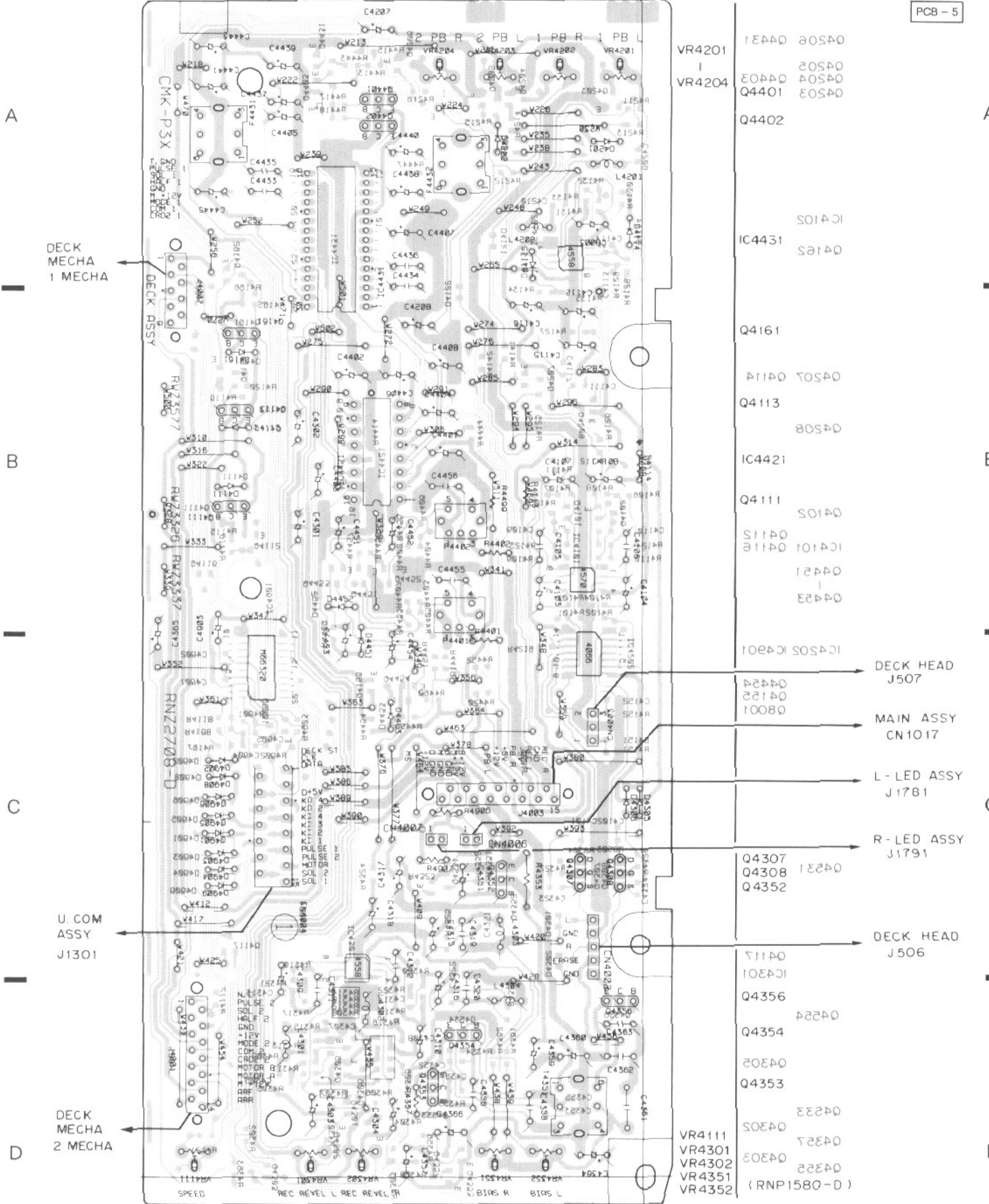
NOTE
* 1 : CL-J35LD/KU, HEZI/DI, HE, HE/FR,
CL-J55LD/SD, SD/HO, SL, S/DF,
CL-J75LD/SD, SL, HEZI/DI, HE, HE/FR, HB TYPES ONLY



DECK ASSY

CL - J35LD, CL - J55LD, CL - J75LD

PCB - 5



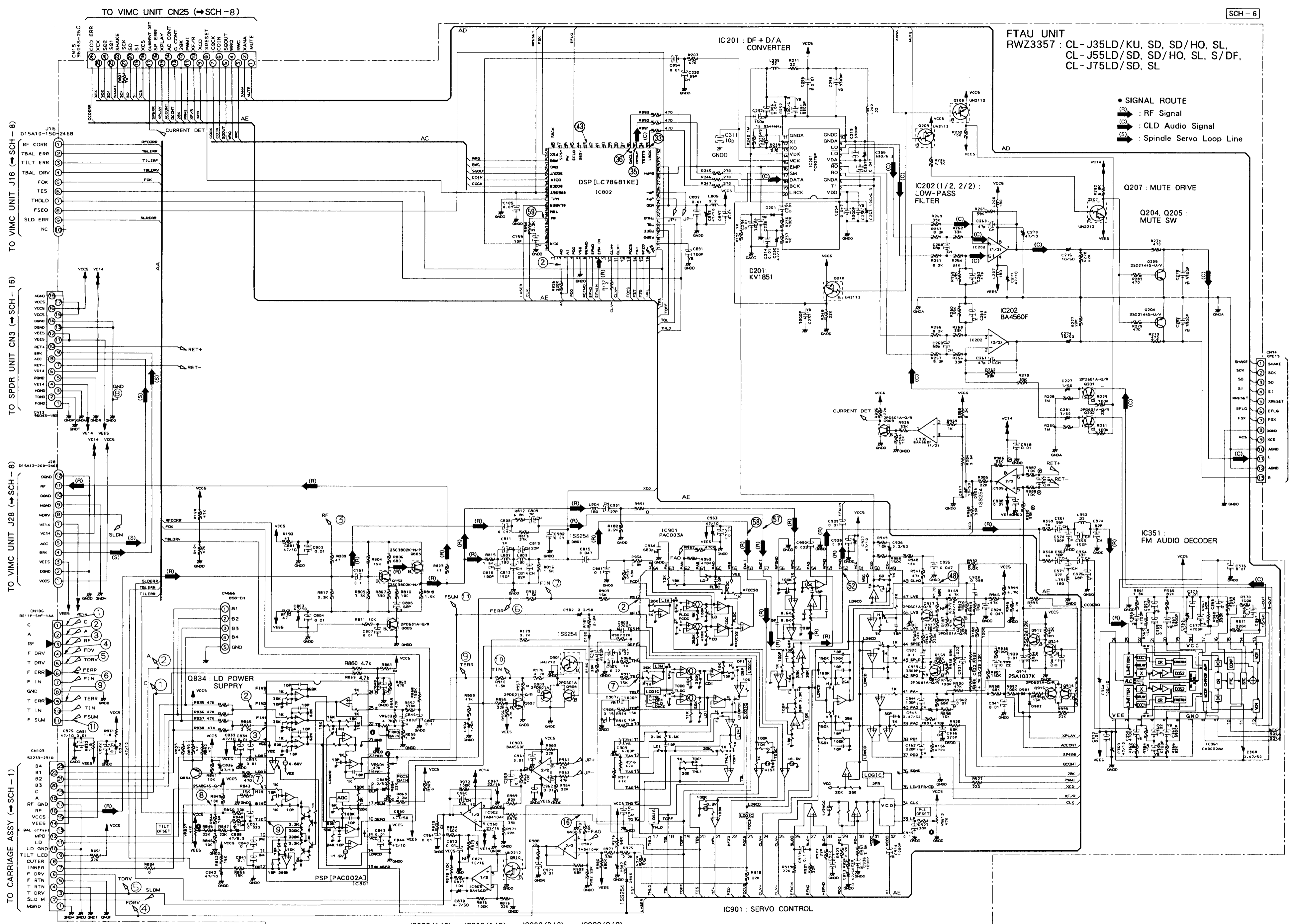
- This diagram is viewed from the mounted parts side.
- The parts mounted on this PCB include all necessary parts for several destinations. For further information for respective destinations, be sure to check with the schematic diagram.

WAVEFORMS OF FTAU UNIT

Note : (No.) in the table correspond to the pin number.

Measurent condition : In case when (D. audio) is written, at time when disc that has digital audio recording is played.

IC801(PAC002A)	IC802(LC78681KE)	IC901(PAC003A)	CN106
<p>(2), (3) 1mS/Div. 16mVp-p</p> <p>AC mode</p>	<p>(2) 0.1μS/Div. 4.3Vp-p</p> <p>AC mode(D.audio)</p>	<p>(2) 0.2mS/Div. 74mVp-p</p> <p>DC mode</p>	<p>(1), (2) 5mS/Div. 65mVp-p</p> <p>DC mode</p>
<p>(7), (8) 1mS/Div. 67mVp-p</p> <p>DC mode</p>	<p>(33) 10μS/Div. 4.2Vp-p</p> <p>AC mode(D.audio)</p>	<p>(7) 0.2mS/Div. 74mVp-p</p> <p>DC mode</p>	<p>(3) 0.5mS/Div. 300mVp-p</p> <p>AC mode</p>
<p>(9) 5mS/Div. 0.1Vp-p</p> <p>DC mode</p>	<p>(35) 0.2μS/Div. 4.4Vp-p</p> <p>AC mode(D.audio)</p>	<p>(16) 0.2mS/Div. 0.61Vp-p</p> <p>DC mode</p>	<p>(4) 5mS/Div. 15Vp-p</p> <p>DC mode</p>
	<p>(36) 0.2μS/Div. 4.5Vp-p</p> <p>AC mode(D.audio)</p>	<p>(48) 50μS/Div. 6.2Vp-p</p> <p>DC mode</p>	<p>(5) 5mS/Div. 5.8Vp-p</p> <p>DC mode</p>
	<p>(43) 0.1μS/Div. 4.5Vp-p</p> <p>AC mode(D.audio)</p>	<p>(52) 0.2μS/Div. 2.1Vp-p</p> <p>AC mode</p>	<p>(6) 5mS/Div. 3.5Vp-p</p> <p>DC mode</p>
	<p>(59) 0.1μS/Div. 2Vp-p</p> <p>AC mode(D.audio)</p>	<p>(57) 1mS/Div. 0.53Vp-p</p> <p>DC mode</p>	<p>(9) 5mS/Div. 1.25Vp-p</p> <p>DC mode</p>
		<p>(58) 0.2mS/Div. 0.32Vp-p</p> <p>DC mode</p>	<p>(11) 10mS/Div. 1.7Vp-p</p> <p>DC mode</p>



FTAU UNIT
RWZ3357 : CL - J35LD/KU, SD, SD/HO, SL,
CL - J55LD/SD, SD/HO, SL, S/DF,
CL - J75LD/SD, SL

- SIGNAL ROUTE
- (R) : RF Signal
- (C) : CLD Audio Signal
- (S) : Spindle Servo Loop Line

IC801 : TRKG. FOCUS AND TILT ERROR AMP.
IC902 (1/2) : TRKG DRIVE
IC903 (1/2) : JUMP SIGNAL MUTE
IC903 (2/2) : JUMP SIGNAL FORMER
IC904 (2/2) : FOCUS DRIVE

A

B

C

D

E

F

A

B

C

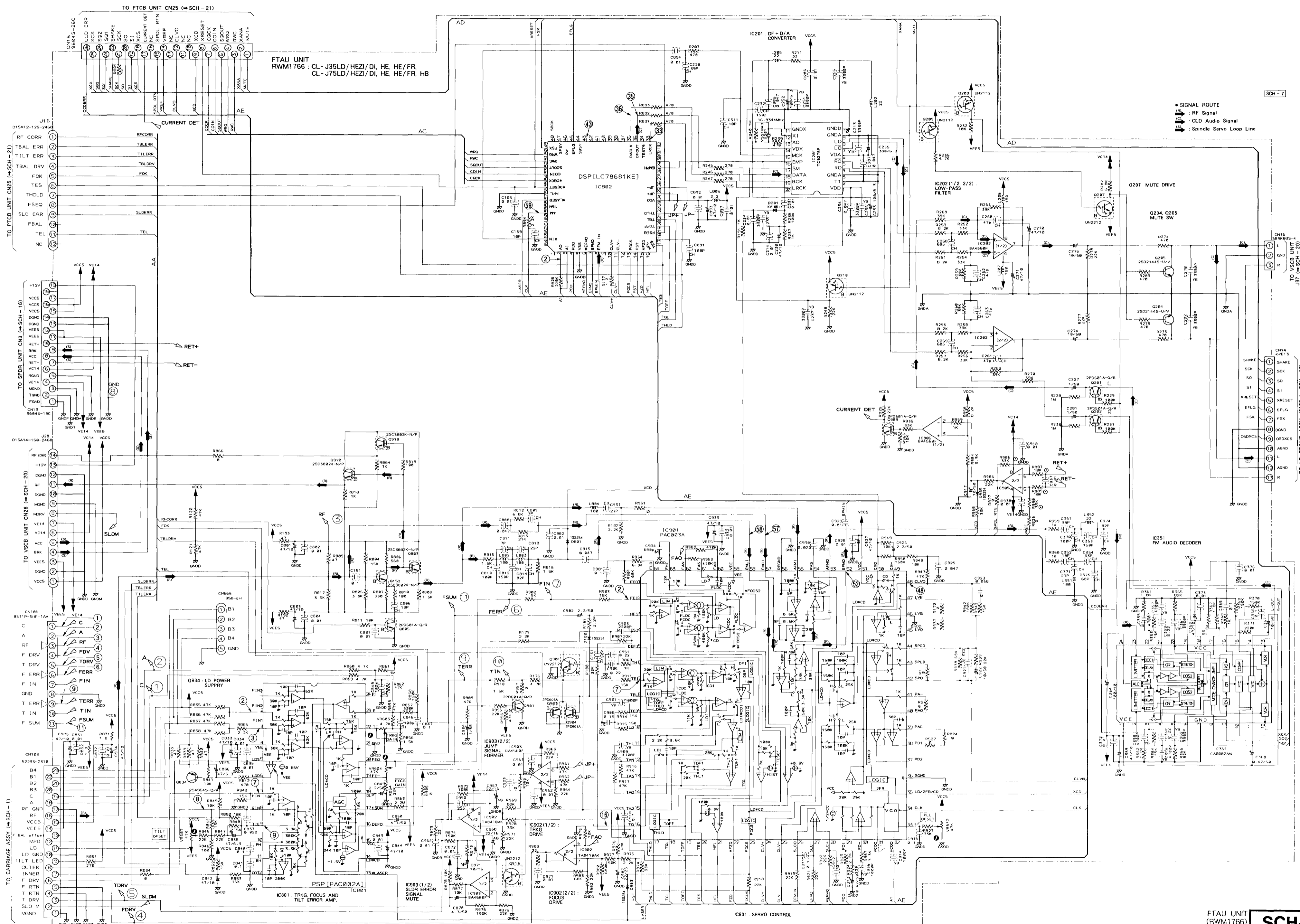
D

E

F

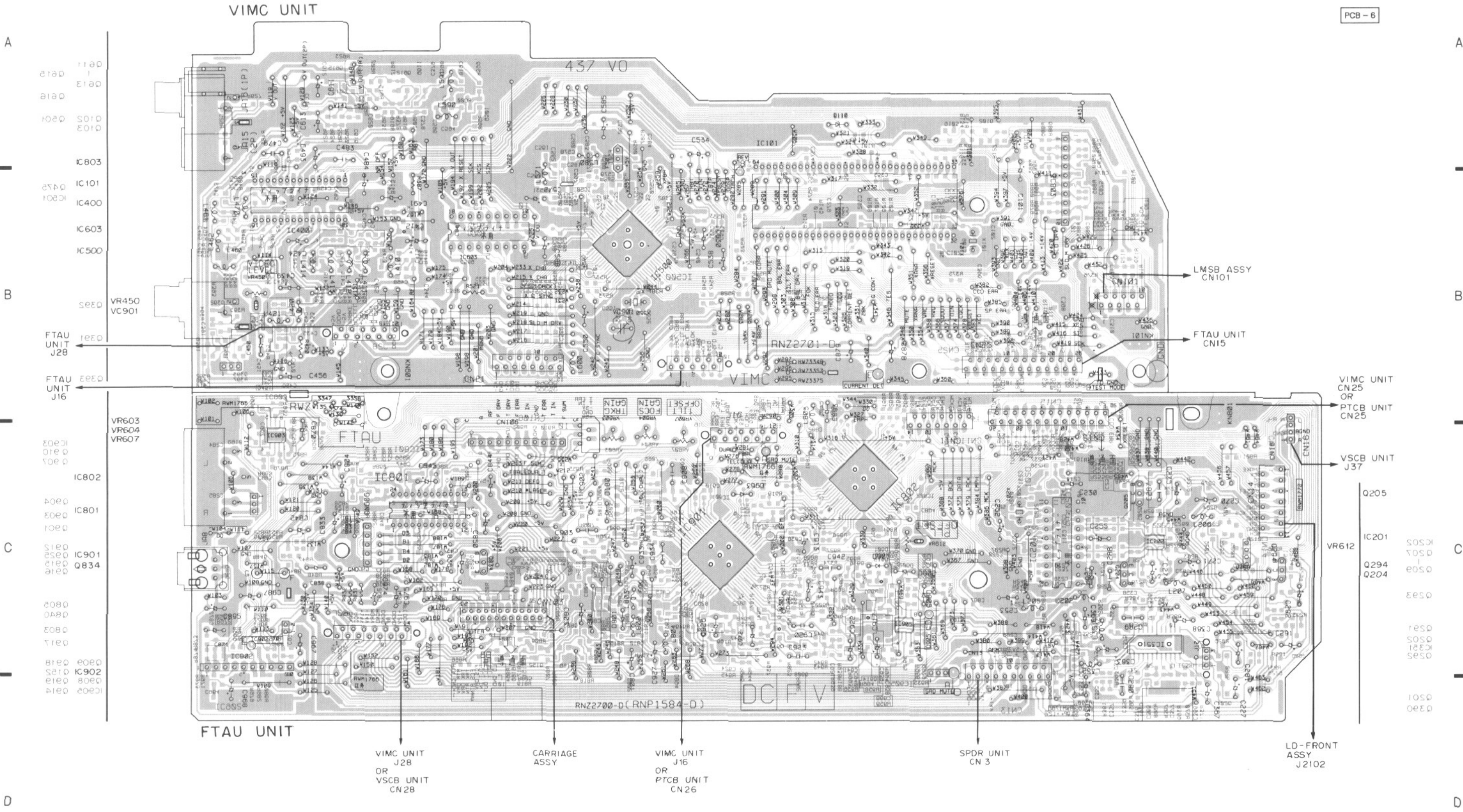
SCH-7

SCH-7



SIGNAL ROUTE
RF Signal
CLD Audio Signal
Spindle Servo Loop Line

FTAU UNIT (RWM1766)



- This diagram is viewed from the mounted parts side.
- The parts mounted on this PCB include all necessary parts for several destinations. For further information for respective destinations, be sure to check with the schematic diagram.

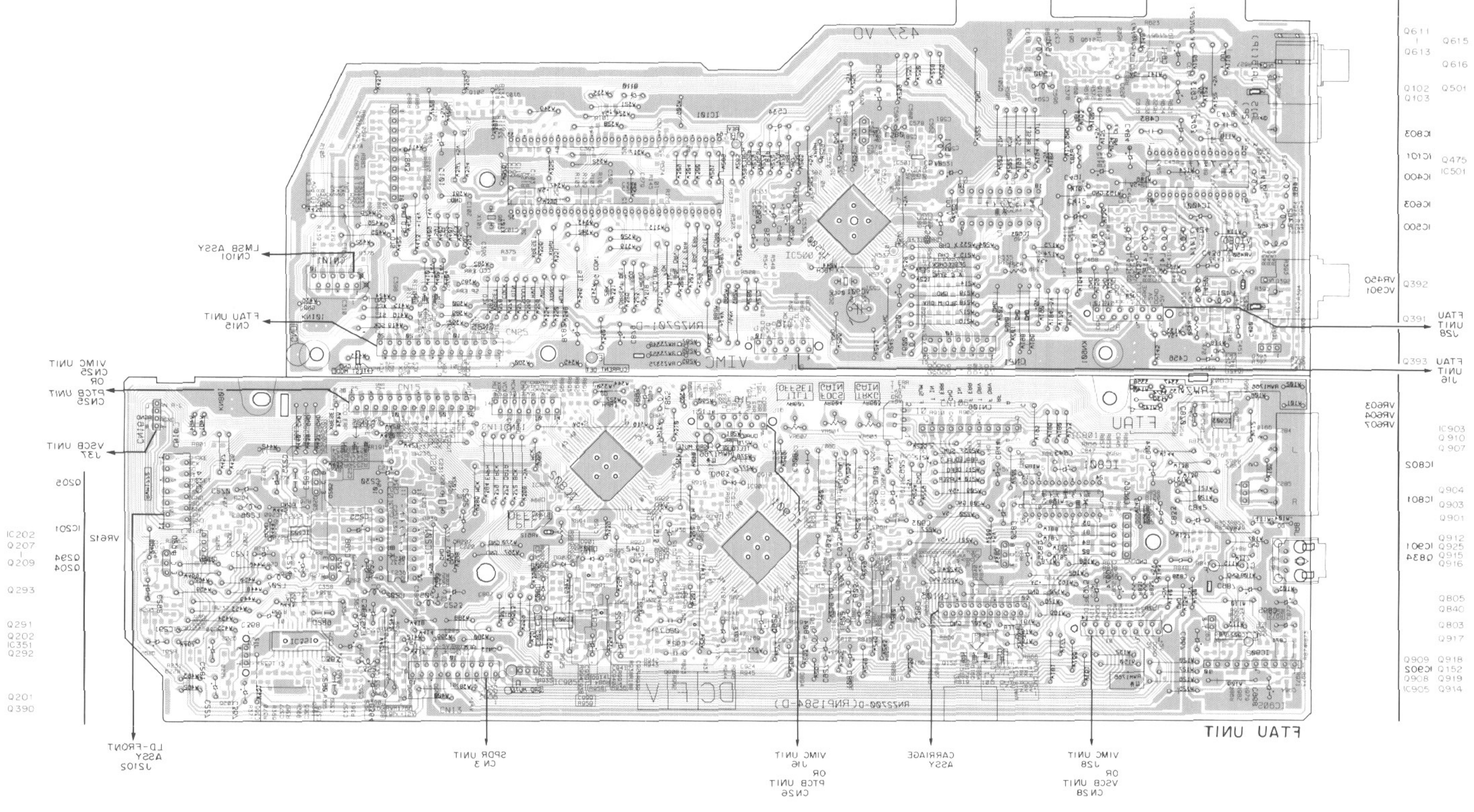
PCB - 8

A

B

C

D



• This diagram is viewed from the foil side.

A

B

C

D

611 1
190 1
613 1
190 1
102 1
100 1
803
101
475
100
803
200
262
AC901
AR420
128
UNIT
129
UNIT
716
UNIT
AR903
AR904
AR905
706
707
708
709
805
904
903
901
106
112
925
925
834
910
908
904
903
908
716
810
806
805
503
501

e

e

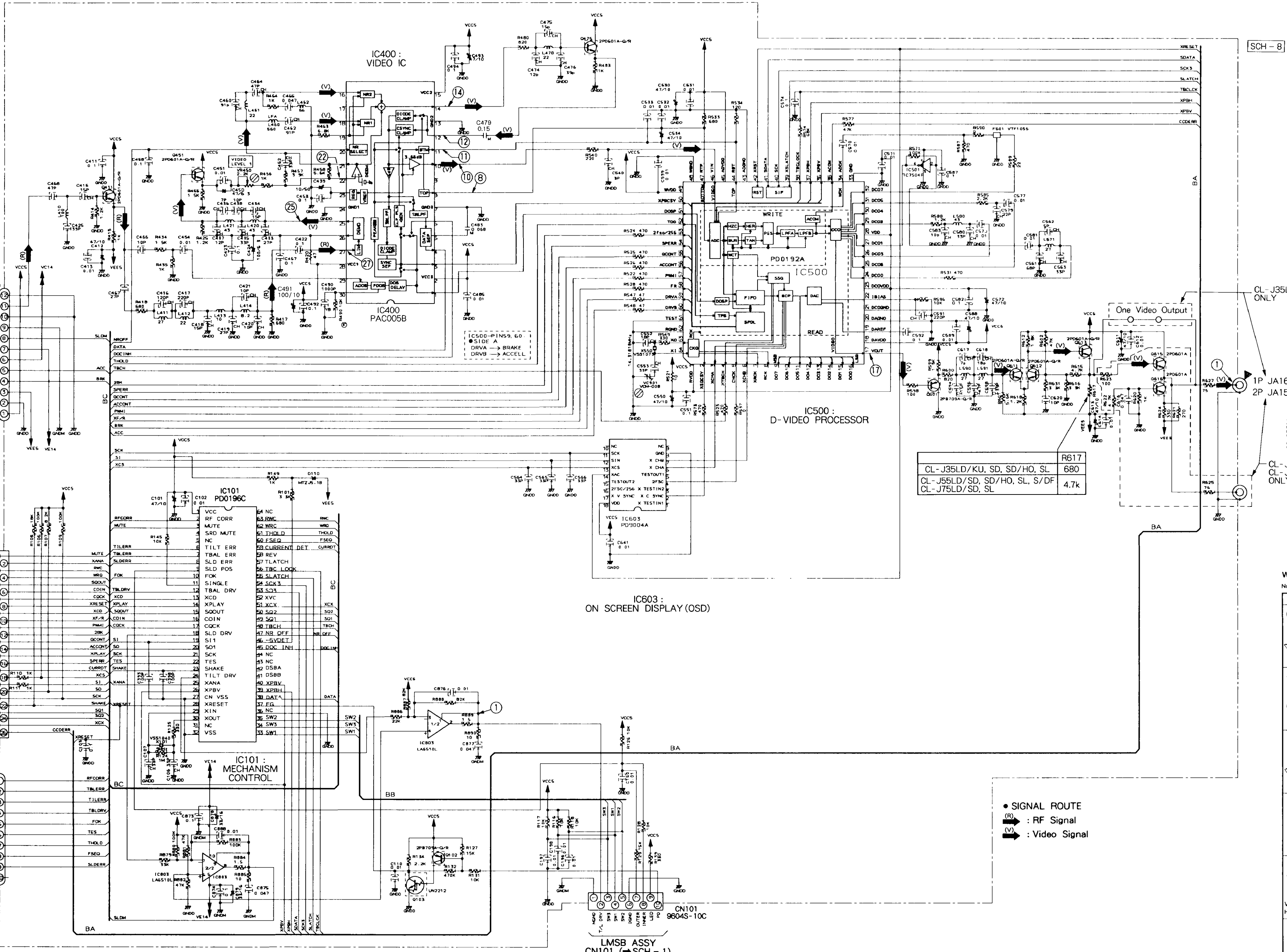
4

3

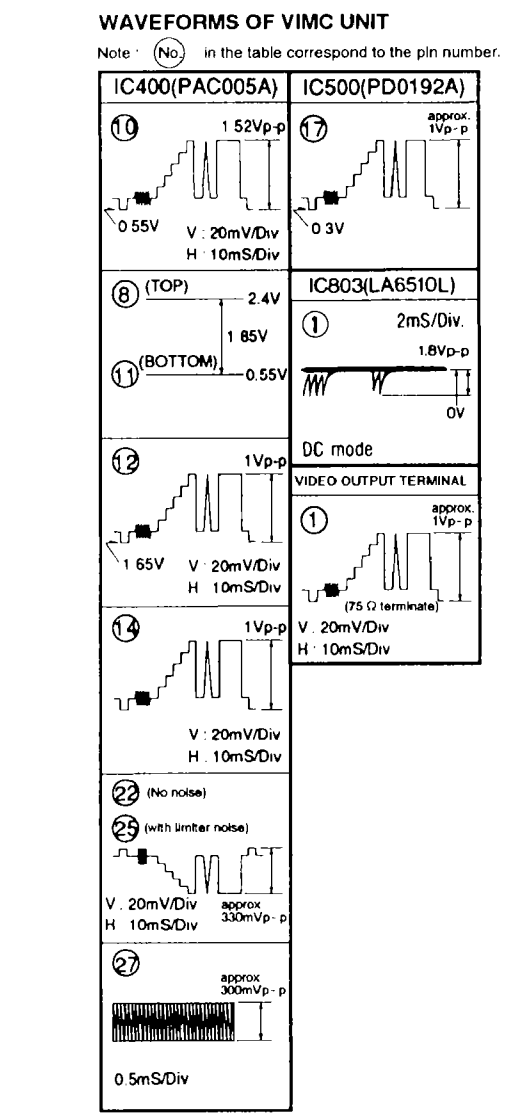
5

1

VIMC UNIT (RWZ3358 : CL - J35LD/KU, SD, SD/HO, SL)
(RWZ3348 : CL - J55LD/SD, SD/HO, SL, S/DF, CL - J75LD/SD, SL)



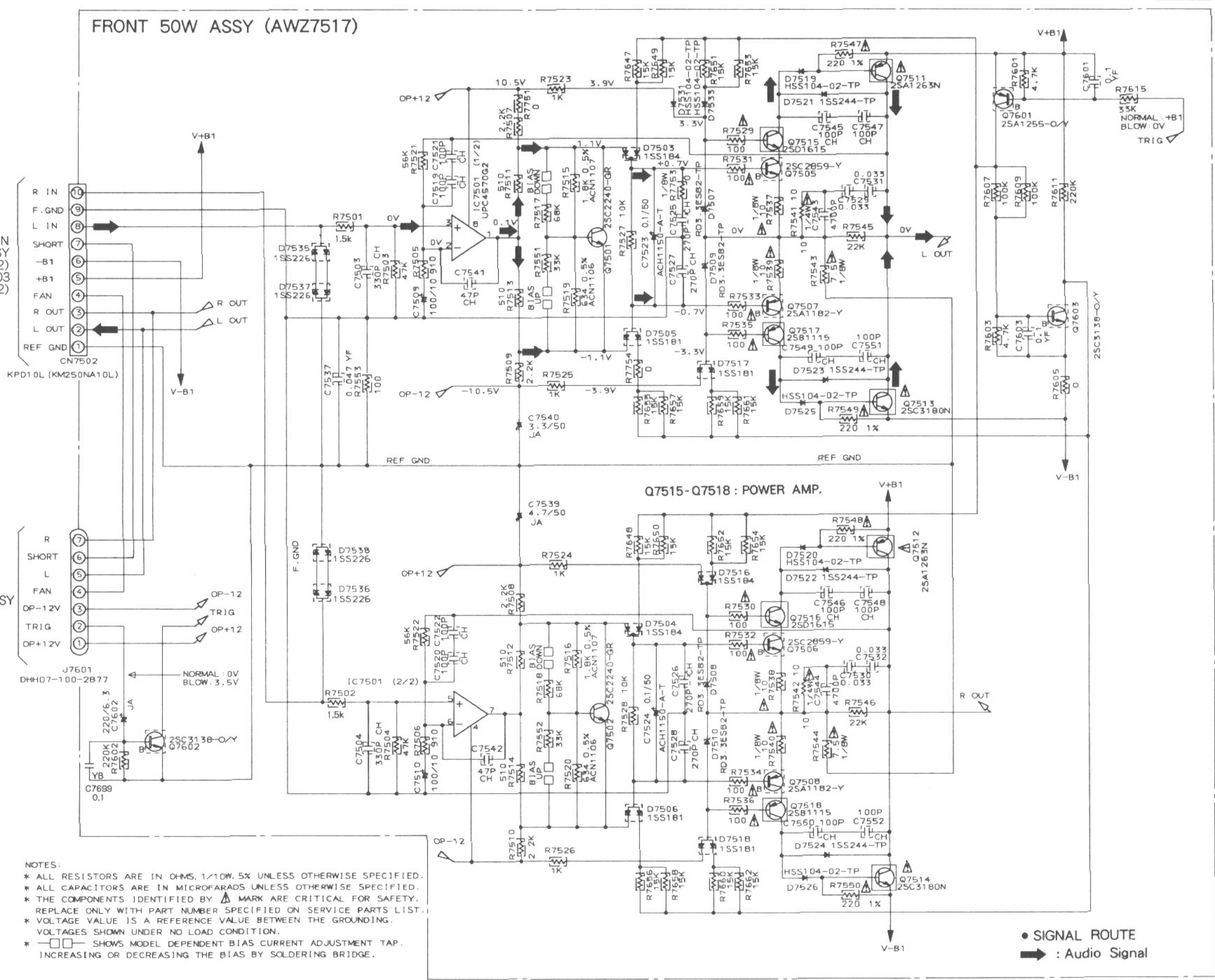
CL - J35LD/KU, SD, SD/HO, SL	R617
CL - J55LD/SD, SD/HO, SL, S/DF	680
CL - J75LD/SD, SL	4.7k



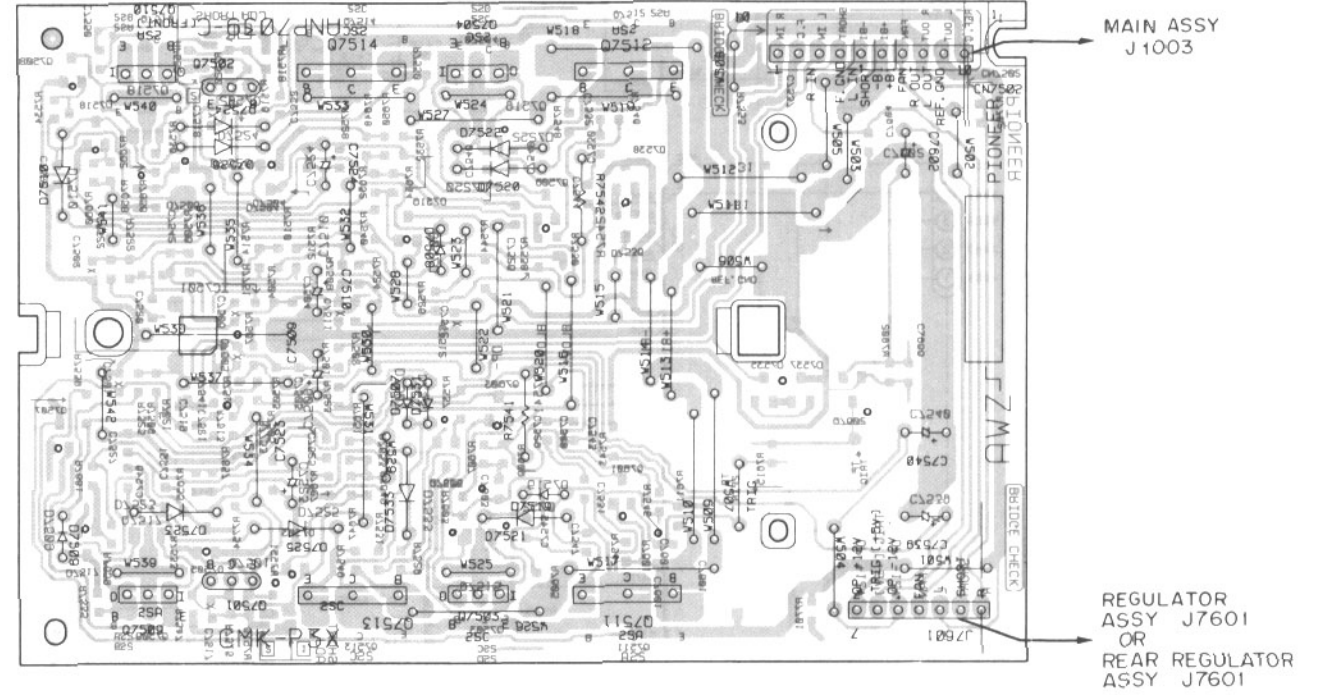
● SIGNAL ROUTE
 (R) : RF Signal
 (V) : Video Signal

4.9 FRONT 50W ASSY

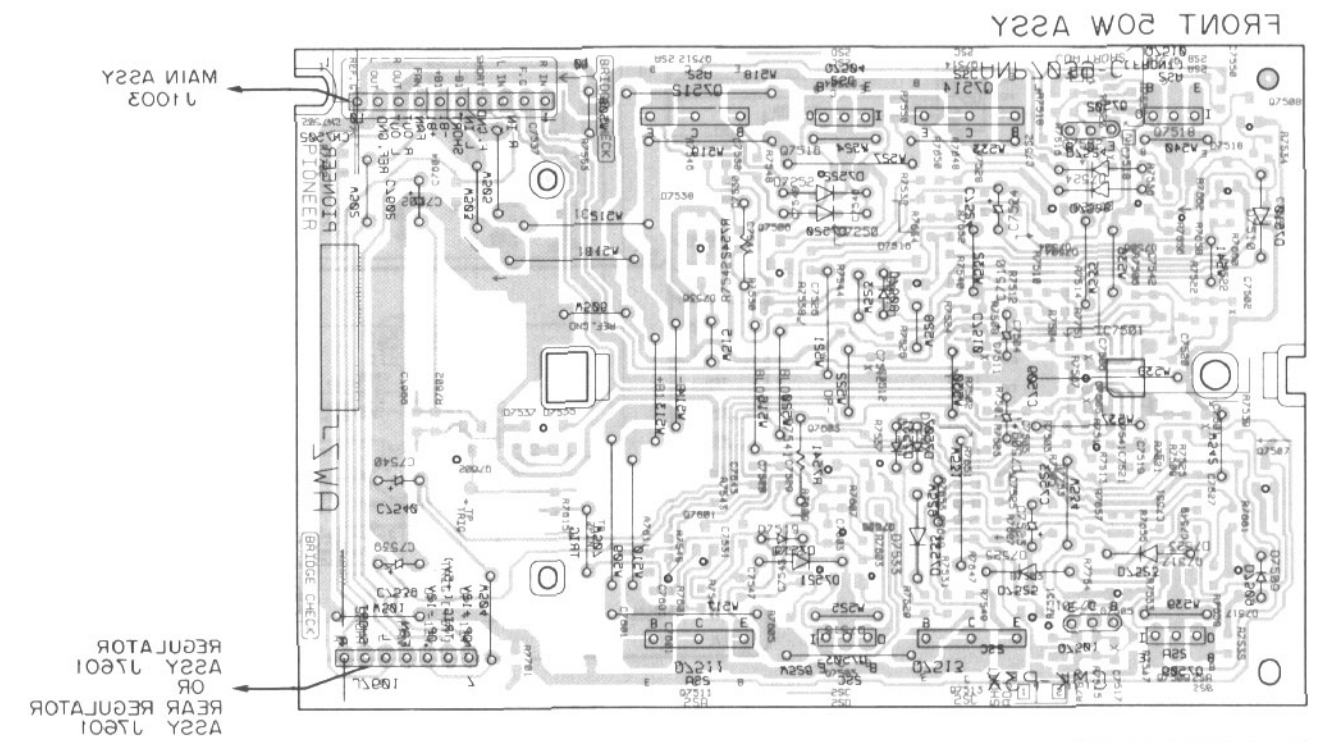
SCH-9



FRONT 50W ASSY



- This diagram is viewed from the mounted parts side.
- The parts mounted on this PCB include all necessary parts for several destinations. For further information for respective destinations, be sure to check with the schematic diagram.



- This diagram is viewed from the foil side.

SCH-9 FRONT 50W ASSY

FRONT 50W ASSY SCH-9

REAR REGULATOR ASSY (CL-125LD)
REGULATOR ASSY (CL-135LD, CL-125LD)

PCB-8

A

A

B

B

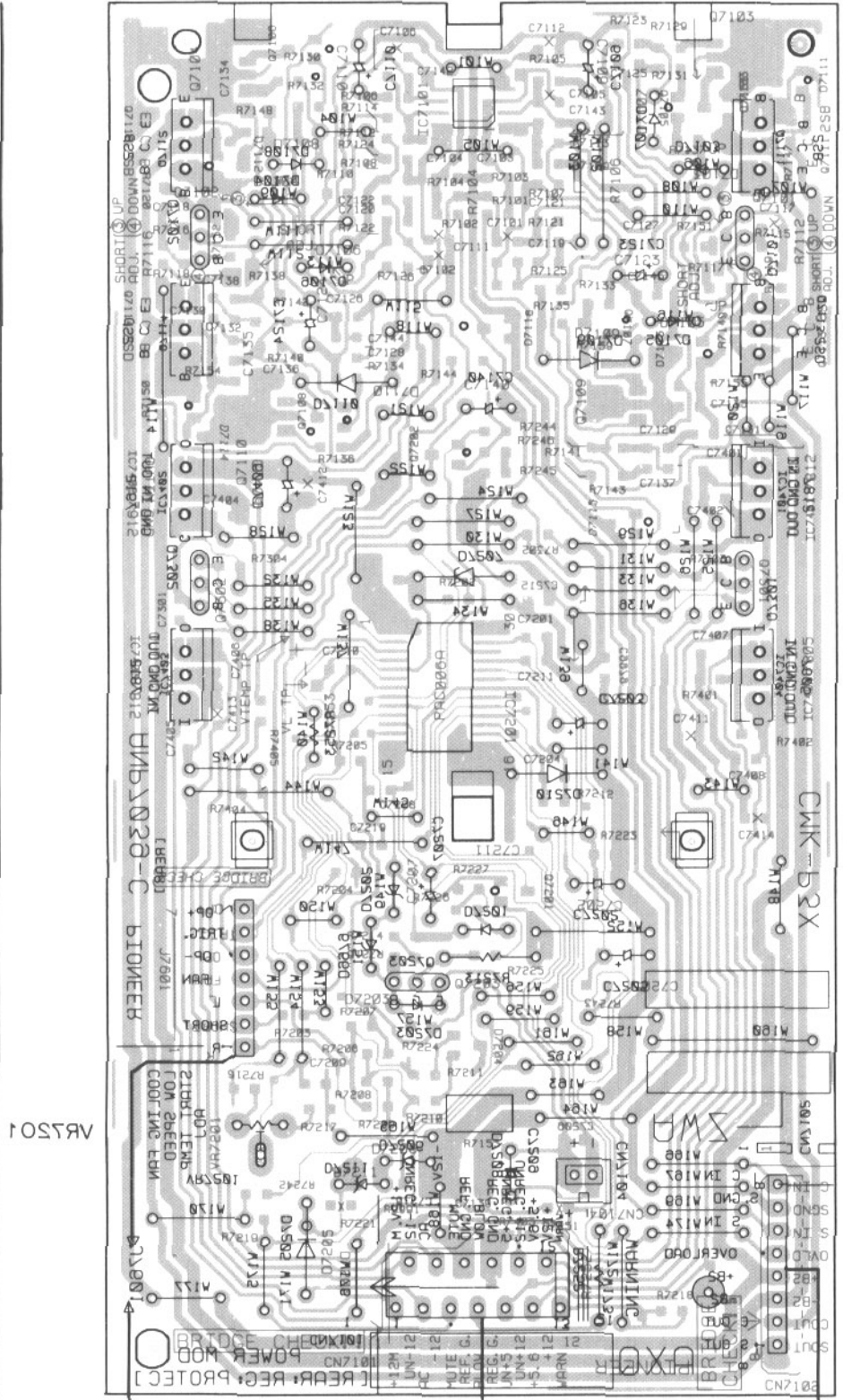
C

C

D

D

- Q7103
- Q7104
- IC7101
- Q5110
- Q5115
- Q5101
- Q5105
- Q5114
- Q7108
- Q7109
- Q7110
- Q7202
- IC2401
- IC2405
- Q2301
- Q2305
- IC2404
- IC2403
- IC7201
- Q7201
- Q2503



1001 MAIN ASSY
100S MAIN ASSY
FRONT 50W ASSY 12501

• This diagram is viewed from the foil side.

4.10 REGULATOR AND REAR REGULATOR ASSEMBLIES

REGULATOR ASSY (CL-J35LD, CL-J55LD)
REAR REGULATOR ASSY (CL-J75LD)

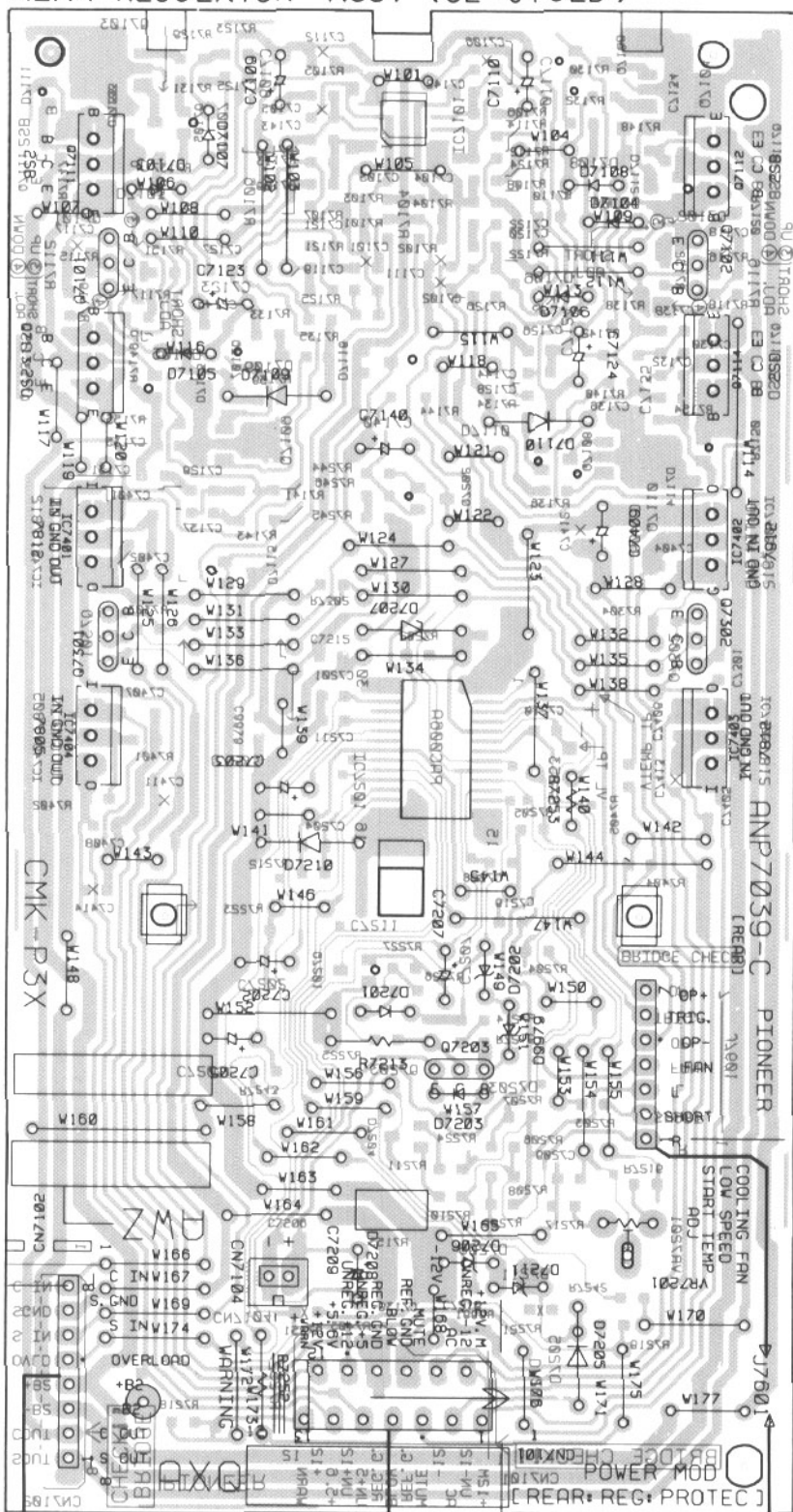
PCB - 8

A

B

C

D



- 80150
- 40150
- 10101
- Q7111
- Q7112
- Q7101
- Q7102
- Q7113
- Q7114
- 80150
- 80150
- IC7401
- IC7402
- Q7301
- Q7302
- IC7404
- IC7403
- 10501
- 10501
- Q7203

MAIN ASSY
J 1001

MAIN ASSY
J 1002

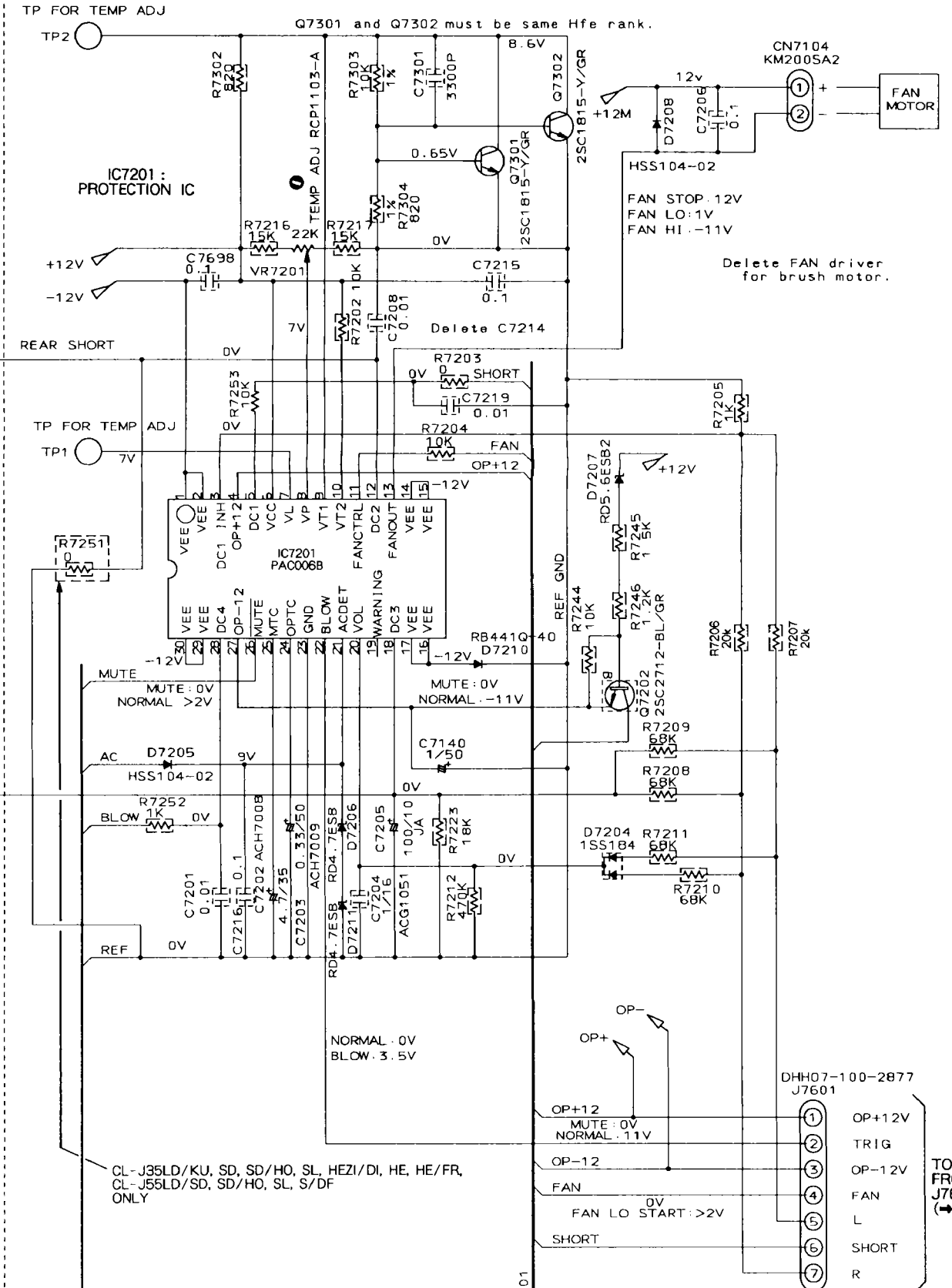
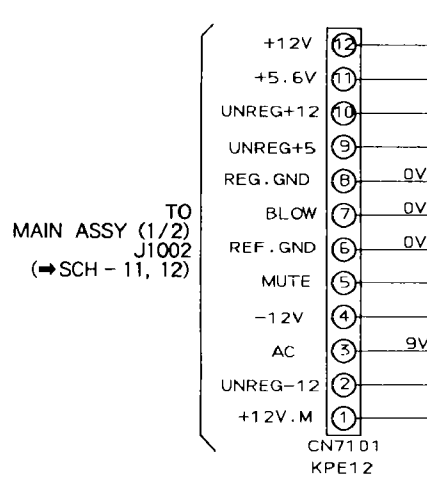
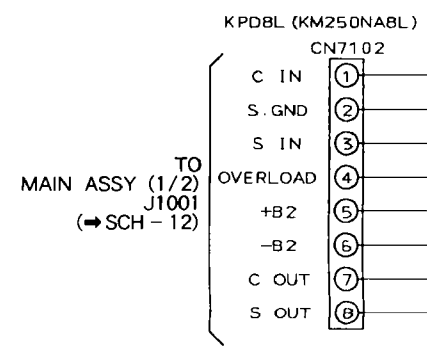
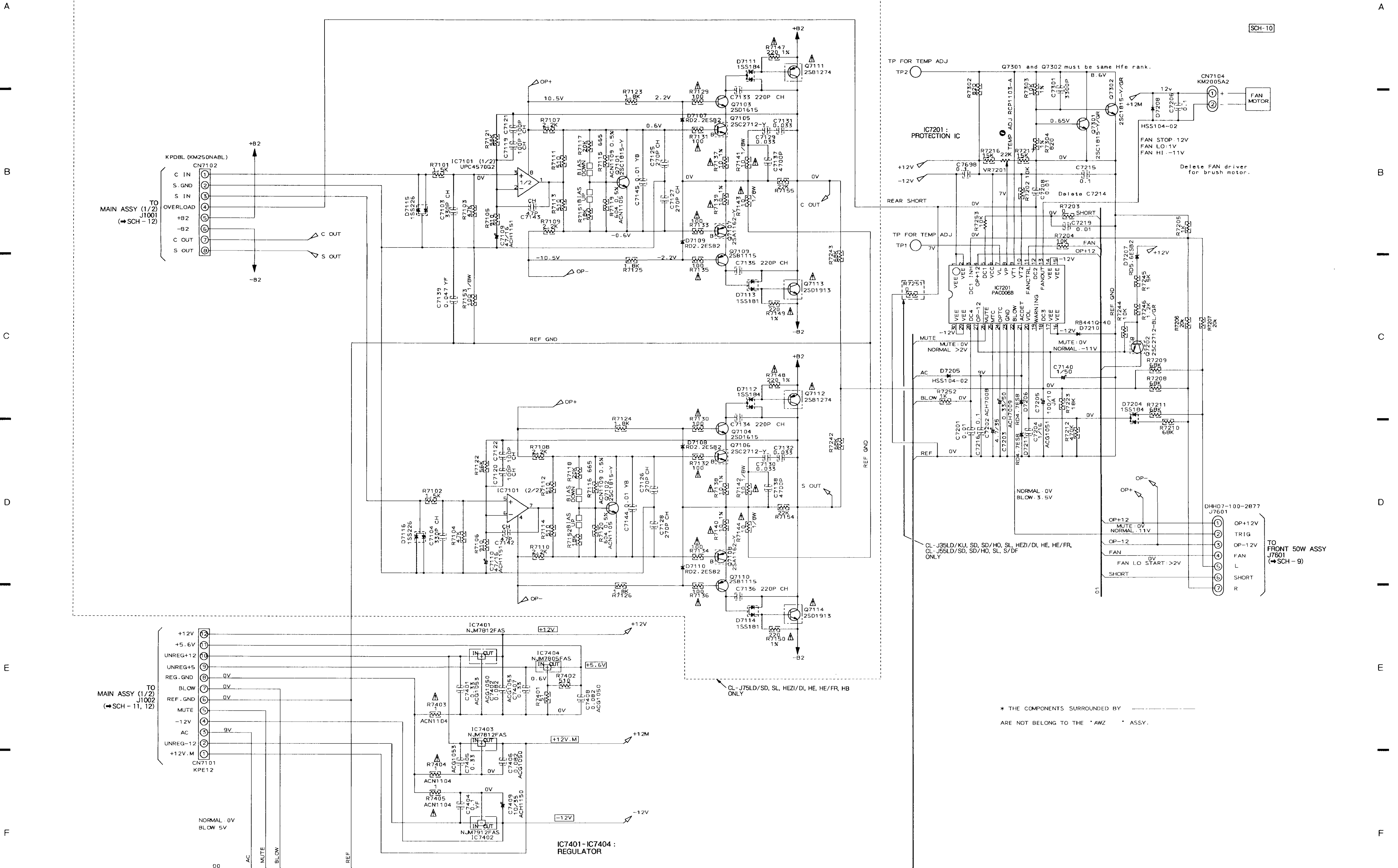
FRONT 50W
ASSY J7601

• This diagram is viewed from the mounted parts side.

• The parts mounted on this PCB include all necessary parts for several destinations. For further information for respective destinations, be sure to check with the schematic diagram.

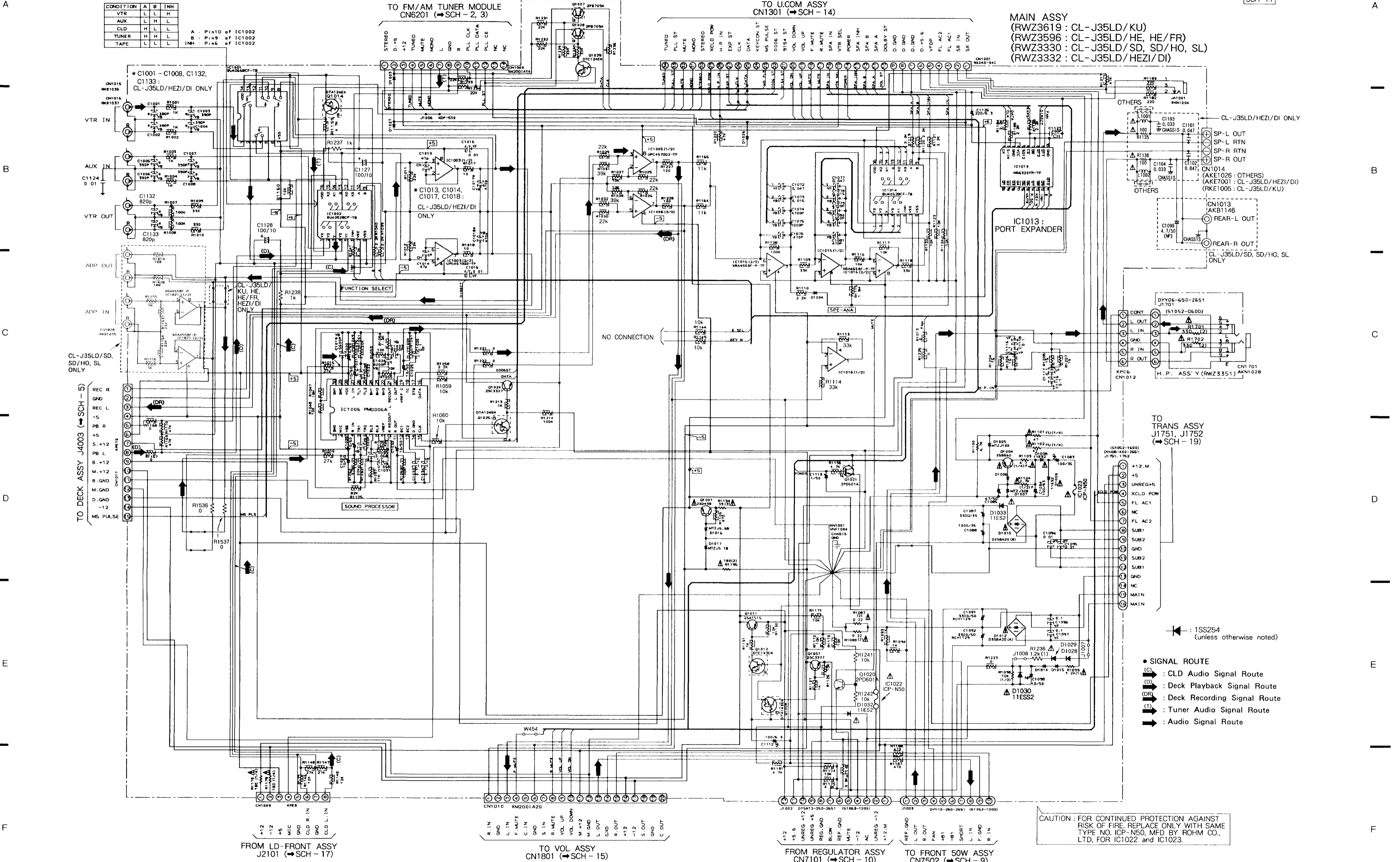
REGULATOR ASSY
(AWZ7560 : CL - J35LD/KU, SD, SD/HO, SL, HEZI/DI, HE, HE/FR, CL - J55LD/SD, SD/HO, SL, S/DF)
REAR REGULATOR ASSY
(AWZ7559 : CL - J75LD/SD, SL, HEZI/DI, HE, HE/FR, HB)

SCH-10



4.11 MAIN AND H.P. ASSEMBLIES
• For CL-J35LD only

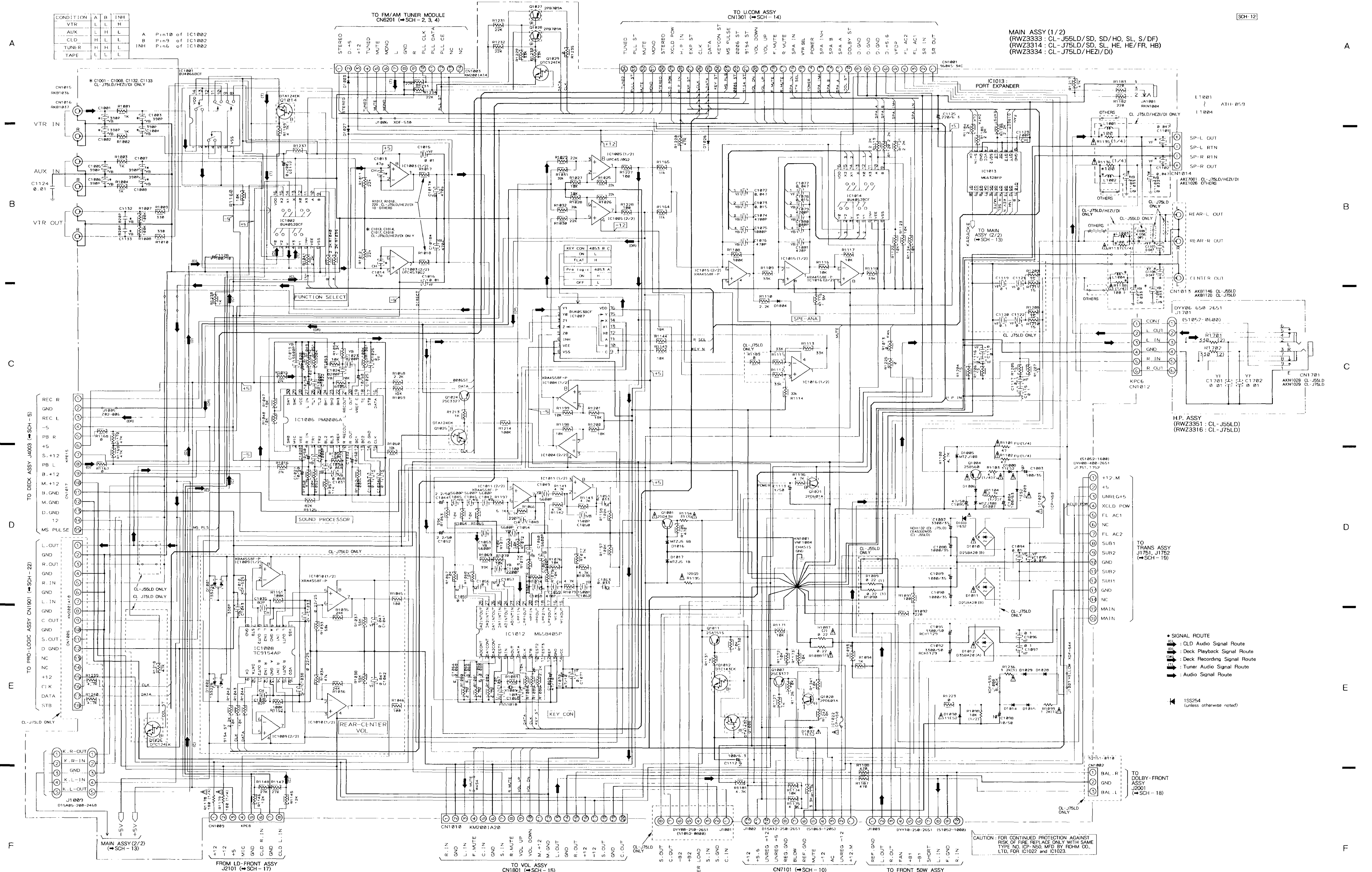
SCH-11



4.12 MAIN ASSY (1/2) AND H.P. ASSY

• For CL-J55LD and CL-J75LD only

CL - J35LD, CL - J55LD, CL - J75LD



CONDITION	A	B	INH
VTR	L	L	H
AUX	L	L	L
CLD	L	L	L
TUNER	H	L	L
TAPE	L	L	L

A Pin19 of IC1002
B Pin19 of IC1002
INH Pin6 of IC1002

MAIN ASSY (1/2)
(RW23333 : CL-J55LD/SD, SD/HO, SL, S/DF)
(RW23314 : CL-J75LD/SD, SL, HE, HE/FR, HB)
(RW23334 : CL-J75LD/HEZI/DI)

SCH-12 MAIN ASSY (1/2)
(for CL-J55LD, CL-J75LD),
H.P. ASSY

MAIN ASSY (1/2)
(for CL-J55LD, CL-J75LD),
H.P. ASSY

SCH-12

A

B

4.13 MAIN ASSY (2/2)
● CL-J55LD and CL-J75LD only

SCH-13

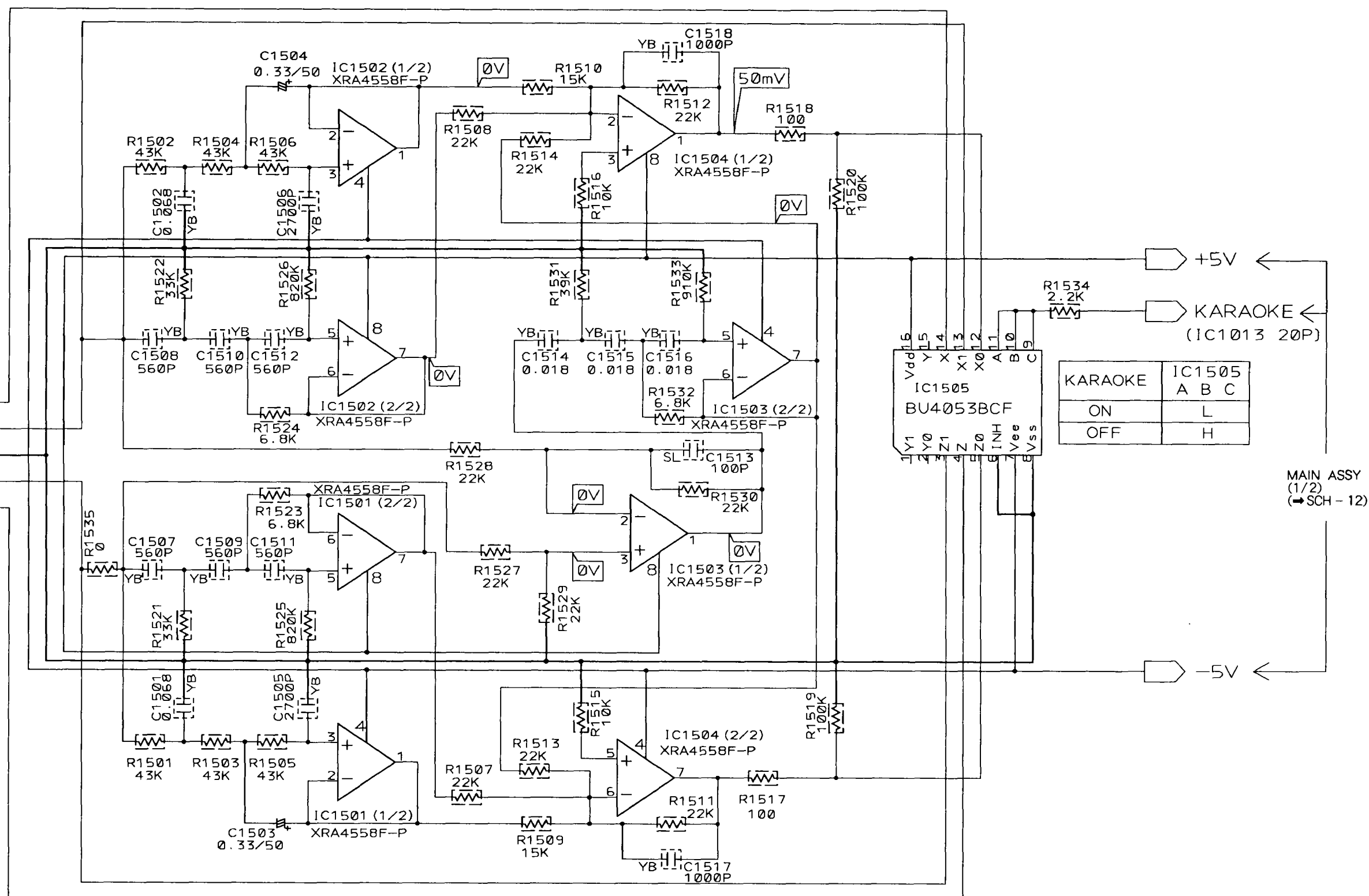
C

MAIN ASSY (2/2)
(RWZ3333 : CL-J55LD/SD, SD/HO, SL, S/DF)
(RWZ3314 : CL-J75LD/SD, SL, HE, HE/FR, HB)
(RWZ3334 : CL-J75LD/HEZI/DI)

D

E

F



ONE TOUCH KARAOKE CIRCUIT

A

B

C

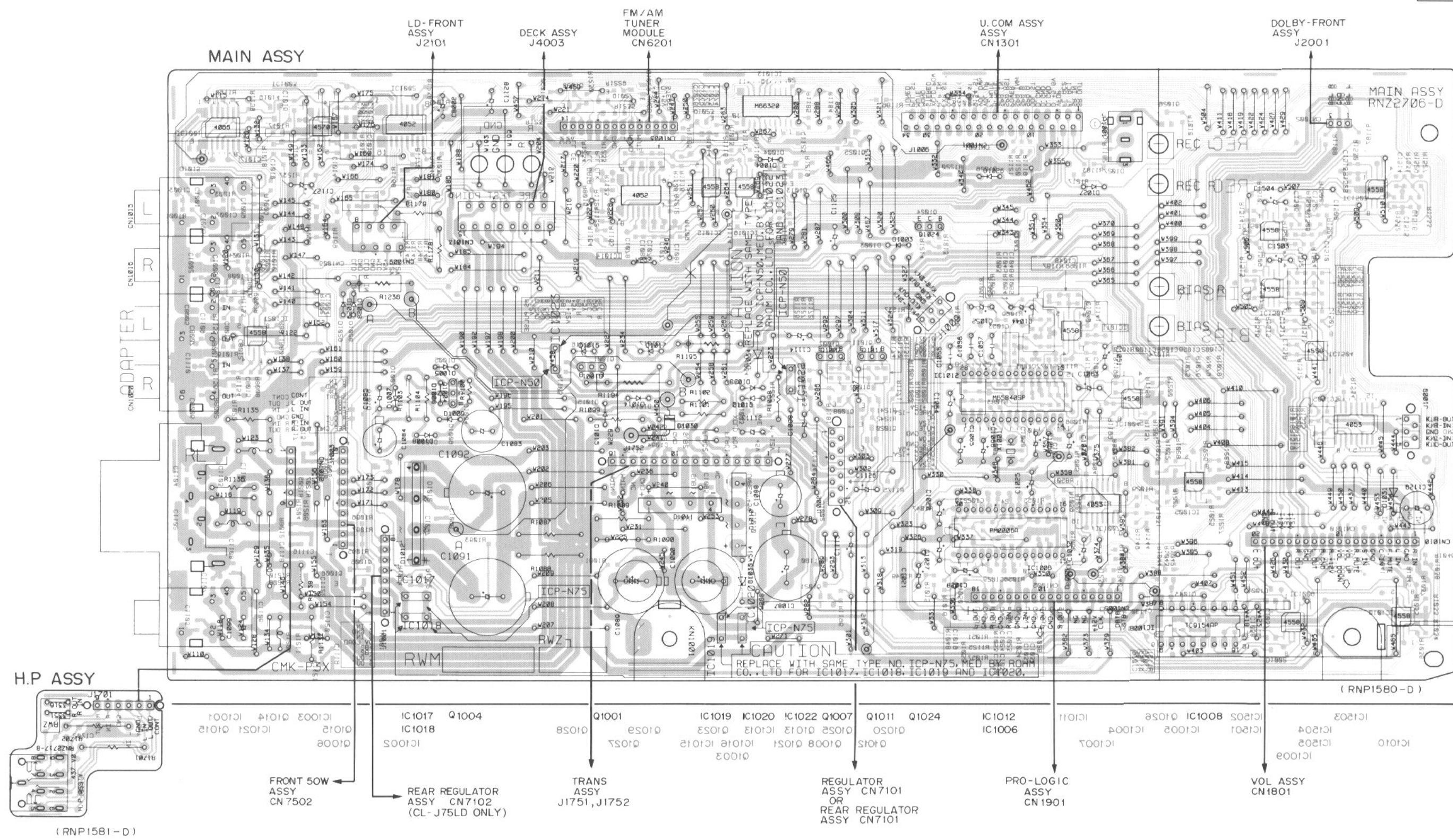
D

A

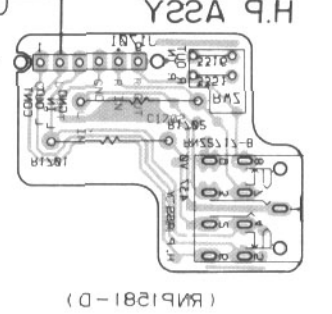
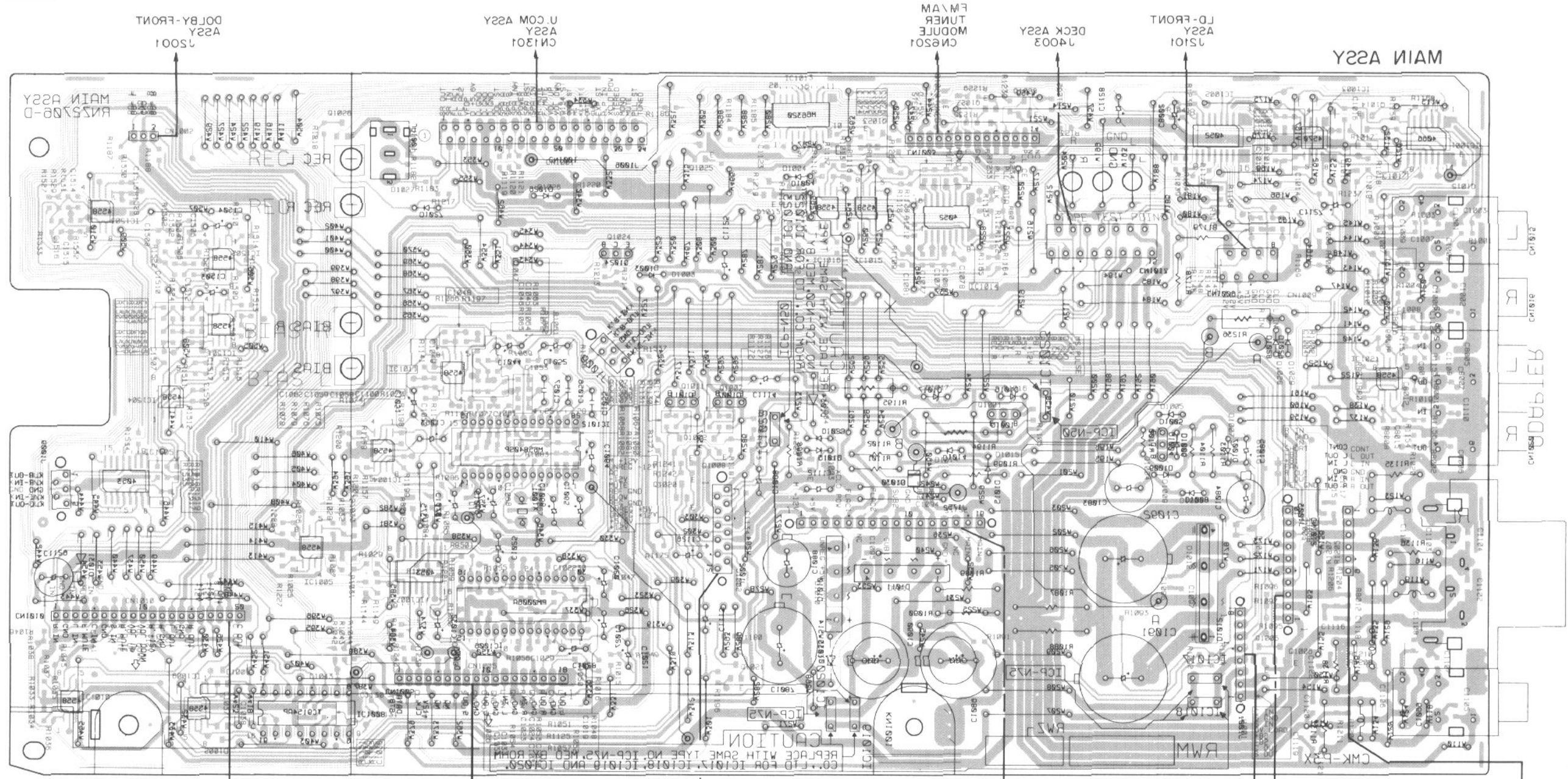
B

C

D

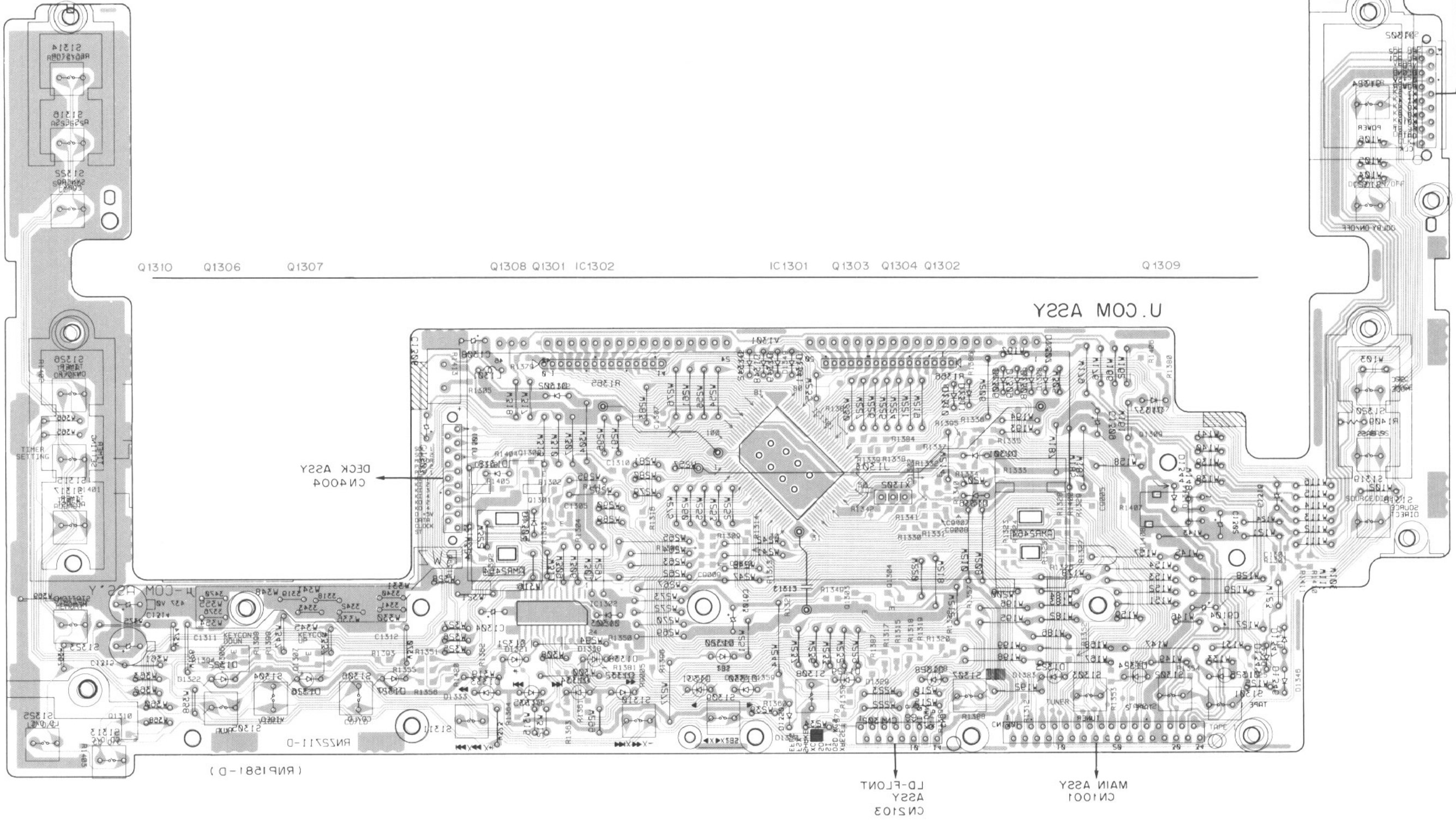


- This diagram is viewed from the mounted parts side.
- The parts mounted on this PCB include all necessary parts for several destinations. For further information for respective destinations, be sure to check with the schematic diagram.



• This diagram is viewed from the foil side.

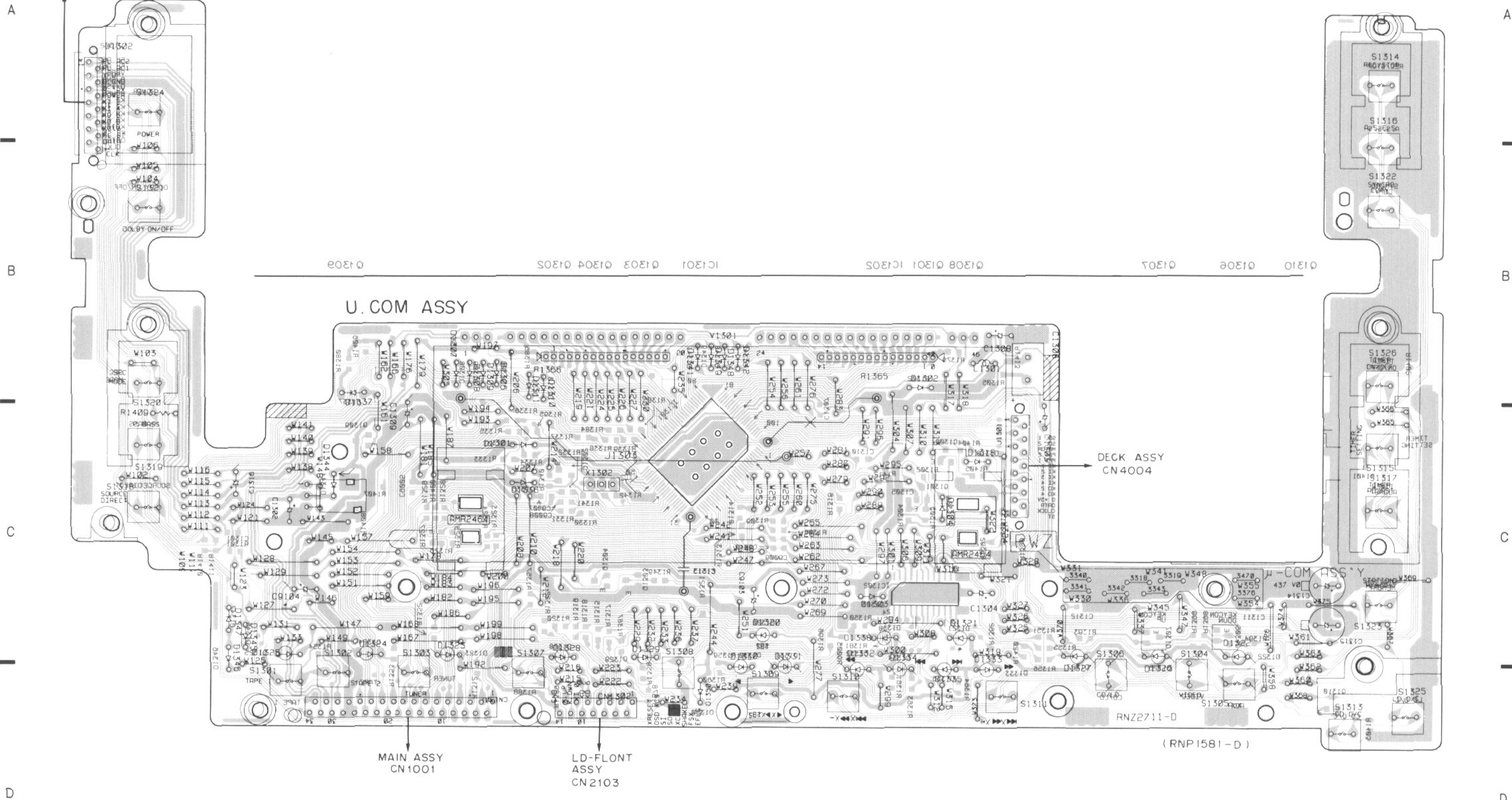
PCB - 10



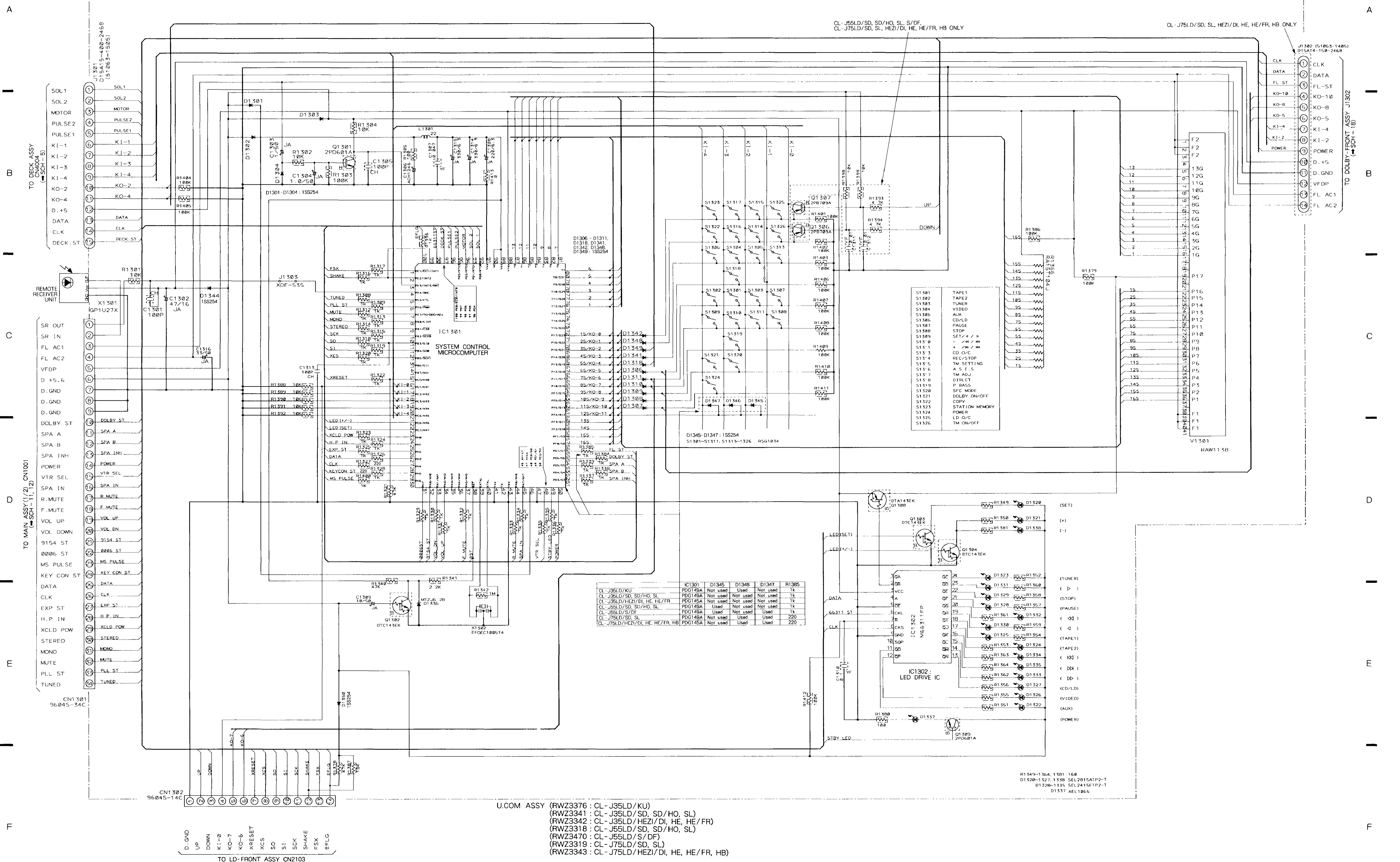
• This diagram is viewed from the foil side.

4.14 U.COM ASSY

DOLBY-FRONT
ASSY J1302



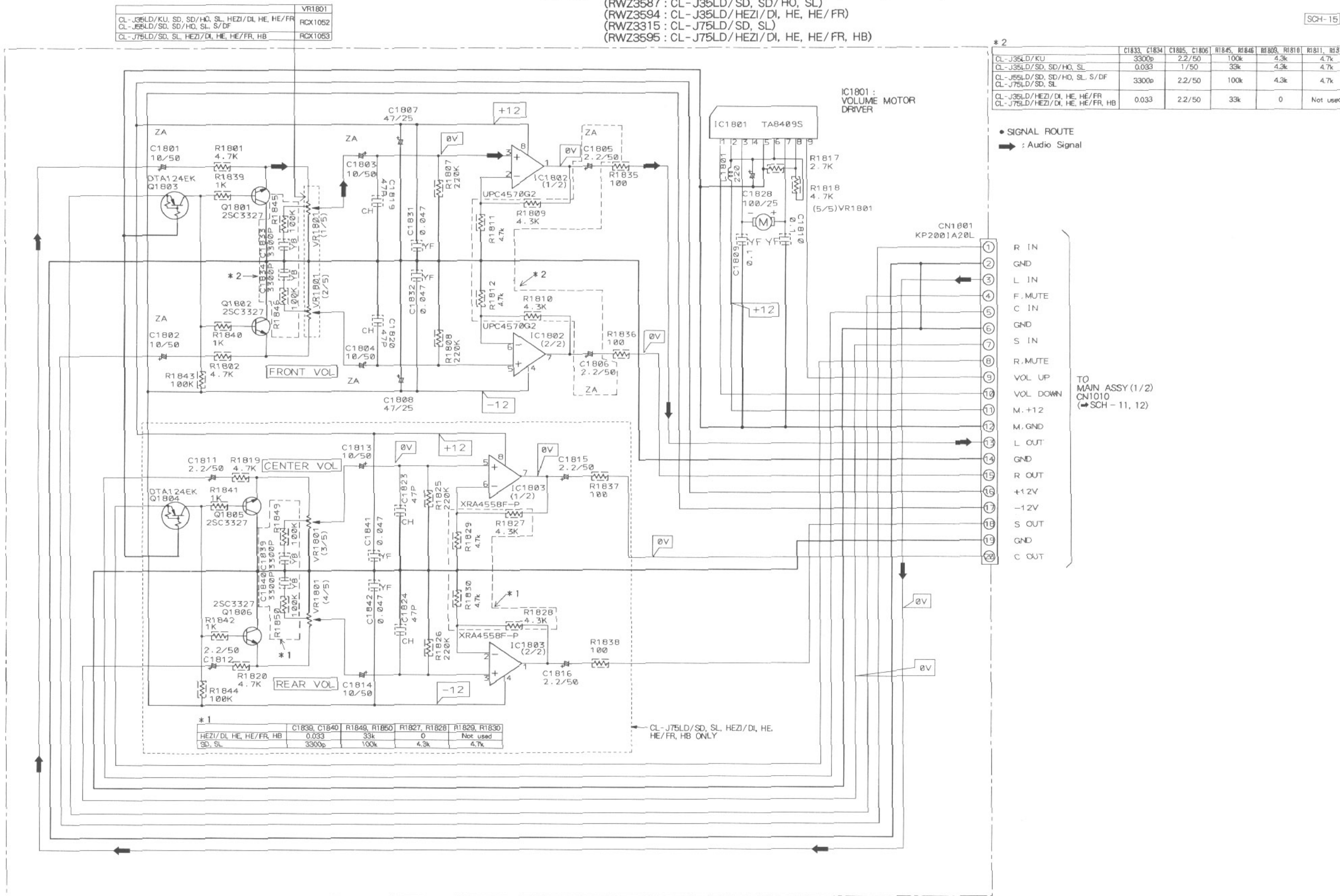
- This diagram is viewed from the mounted parts side.
- The parts mounted on this PCB include all necessary parts for several destinations.
For further information for respective destinations, be sure to check with the schematic diagram.



4.15 VOL ASSY

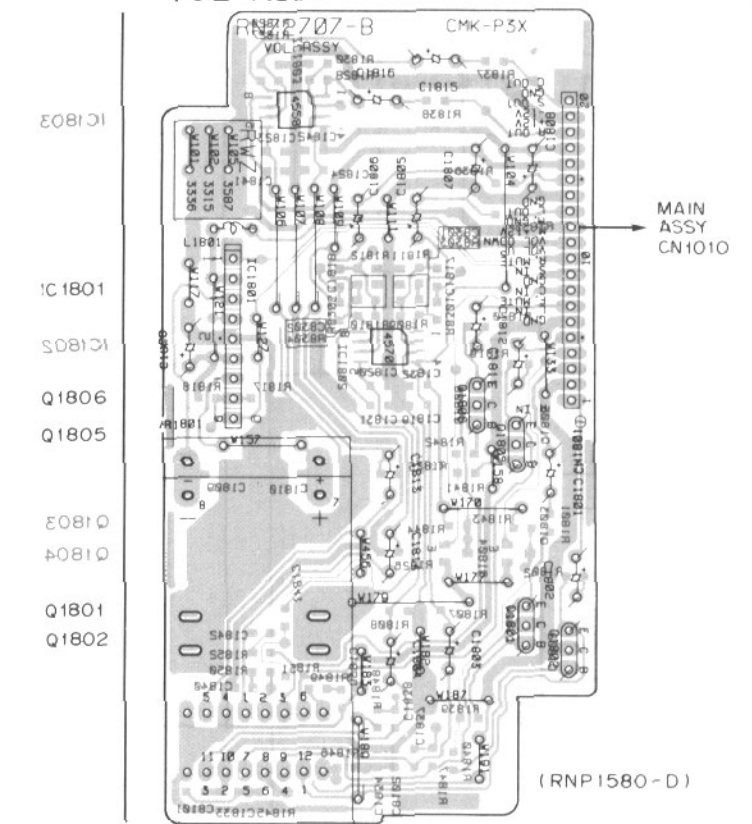
VOL ASSY (RWZ3593 : CL-J36LD/KU, CL-J55LD/SD, SD/HO, SL, S/DF)
(RWZ3587 : CL-J36LD/SD, SD/HO, SL)
(RWZ3594 : CL-J36LD/HEZI/DI, HE, HE/FR)
(RWZ3315 : CL-J75LD/SD, SL)
(RWZ3595 : CL-J75LD/HEZI/DI, HE, HE/FR, HB)

SCH-15



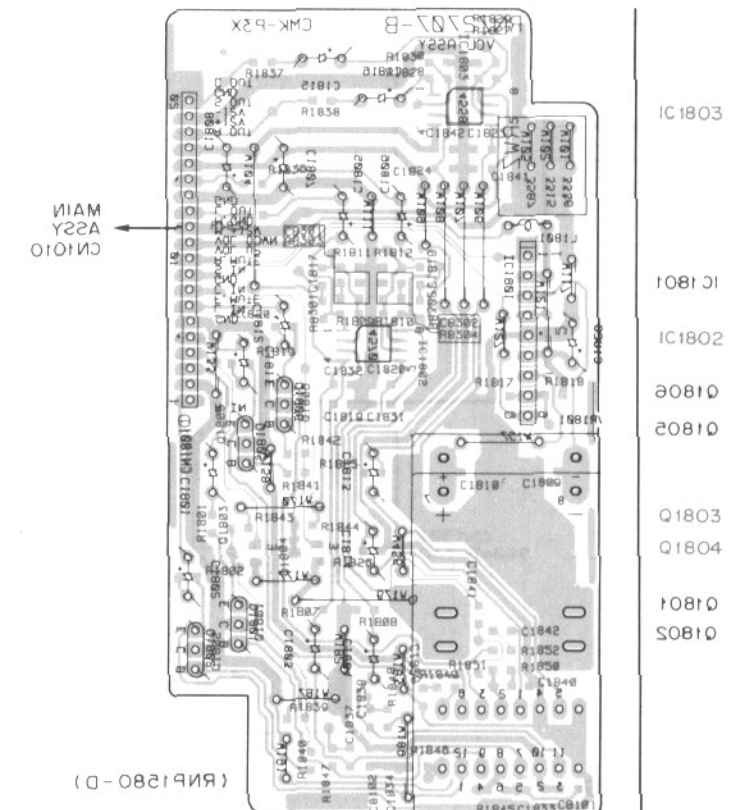
VOL ASSY

PCB-11



- This diagram is viewed from the mounted parts side.
- The parts mounted on this PCB include all necessary parts for several destinations. For further information for respective destinations, be sure to check with the schematic diagram.

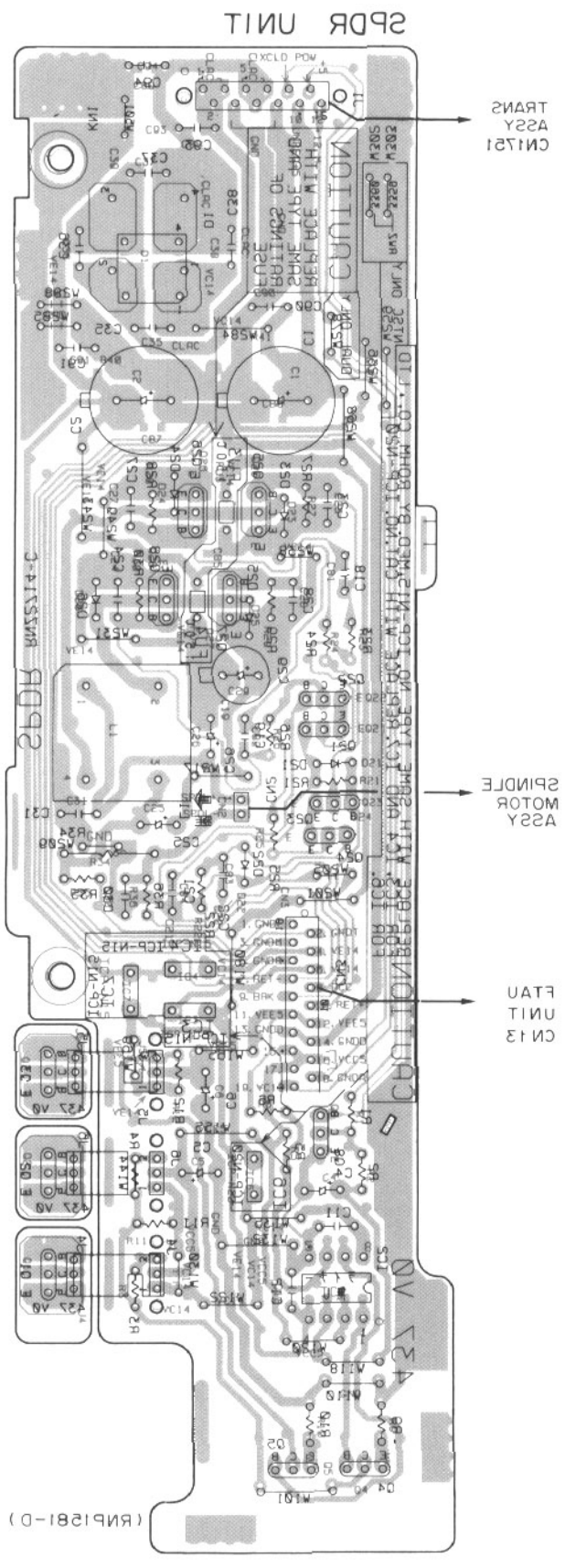
VOL ASSY



- This diagram is viewed from the foil side.

SCH-15 VOL ASSY

VOL ASSY SCH-15



• This diagram is viewed from the foil side.

PCB-15

4.16 SPDR UNIT

SPDR UNIT

A

B

C

D

A

B

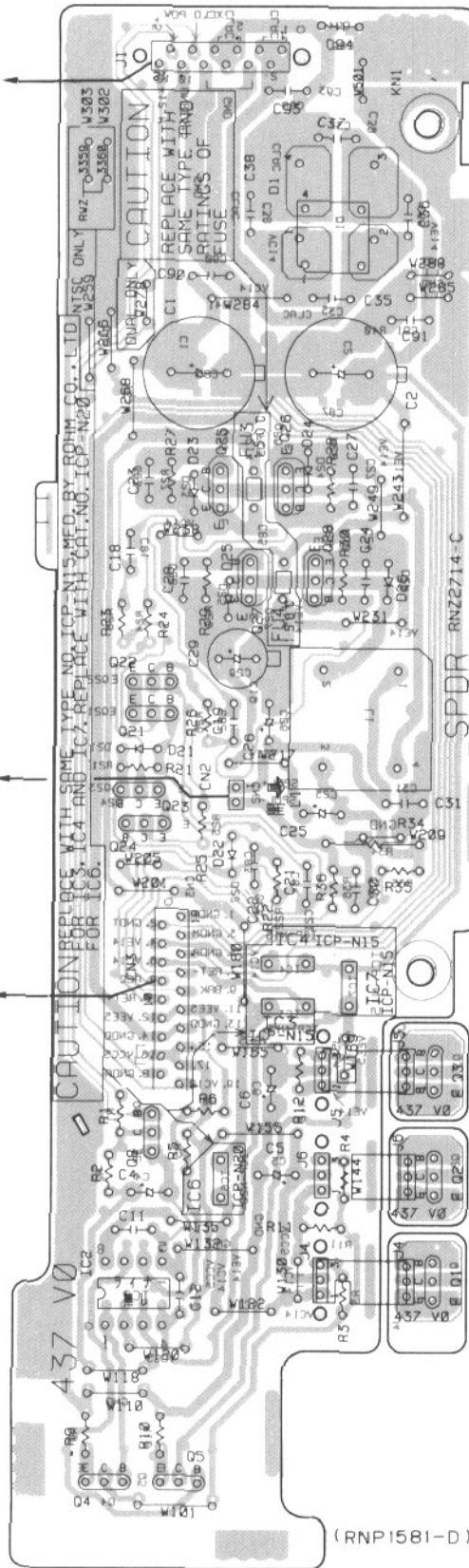
C

D

TRANS
ASSY
CN1751

SPINDLE
MOTOR
ASSY

FTAU
UNIT
CN 13



- Q25
- Q26
- Q27
- Q28
- Q22
- Q21
- Q23
- Q24
- IC 4
- IC 7
- IC 3
- Q 3
- Q 8
- Q 2
- IC 6
- Q 1
- IC 2
- Q 4
- Q 5

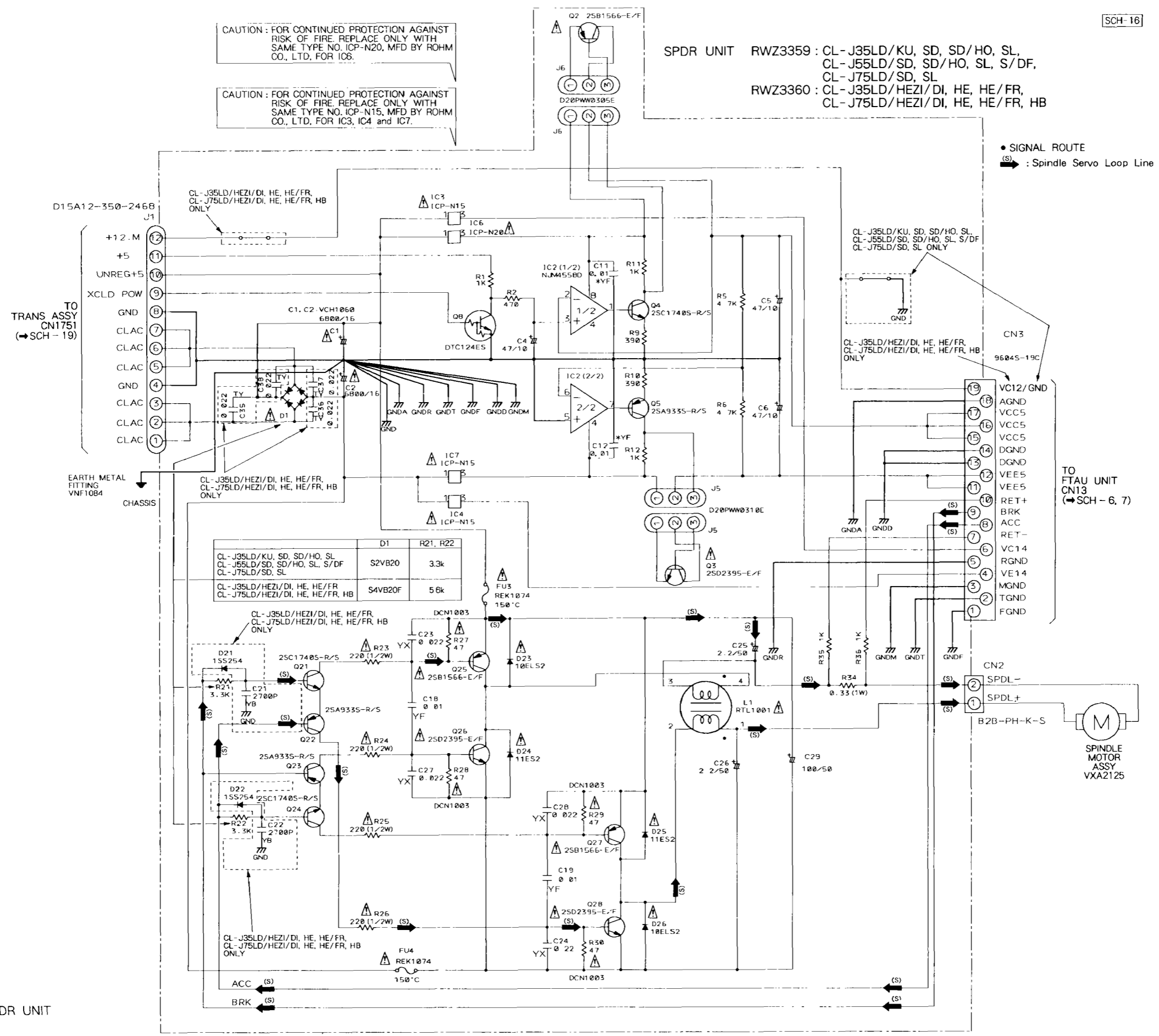
- This diagram is viewed from the mounted parts side.
- The parts mounted on this PCB include all necessary parts for several destinations.
For further information for respective destinations, be sure to check with the schematic diagram.

SCH-16

CAUTION : FOR CONTINUED PROTECTION AGAINST RISK OF FIRE, REPLACE ONLY WITH SAME TYPE NO. ICP-N20, MFD BY ROHM CO., LTD. FOR IC6.

CAUTION : FOR CONTINUED PROTECTION AGAINST RISK OF FIRE, REPLACE ONLY WITH SAME TYPE NO. ICP-N15, MFD BY ROHM CO., LTD. FOR IC3, IC4 and IC7.

SPDR UNIT RWZ3359 : CL-J35LD/KU, SD, SD/HO, SL,
CL-J55LD/SD, SD/HO, SL, S/DF,
CL-J75LD/SD, SL
RWZ3360 : CL-J35LD/HEZI/DI, HE, HE/FR,
CL-J75LD/HEZI/DI, HE, HE/FR, HB



D15A12-350-2468 J1
+12.0M
+5
UNREG+5
XCLD POW
GND
CLAC
CLAC
CLAC
GND
CLAC
CLAC
CLAC

TO TRANS ASSY CN1751 (SCH-19)

EARTH METAL FITTING VNF1084
CHASSIS

D1	R21, R22
CL-J35LD/KU, SD, SD/HO, SL CL-J55LD/SD, SD/HO, SL, S/DF CL-J75LD/SD, SL	S2VB20 3.3k
CL-J35LD/HEZI/DI, HE, HE/FR CL-J75LD/HEZI/DI, HE, HE/FR, HB	S4VB20F 56k

• SIGNAL ROUTE
 (S) : Spindle Servo Loop Line

TO FTAU UNIT CN13 (SCH-6, 7)

VC12/GND
 AGND
 VCC5
 VCC5
 VCC5
 DGND
 DGND
 VEE5
 VEE5
 RET+
 BRK
 ACC
 RET-
 VC14
 RGND
 VE14
 MGND
 TGND
 FGND

SCH-16

SPDR UNIT

SPDR UNIT

SCH-16

4.17 LD-FRONT, MIC, L-LED AND R-LED ASSEMBLIES

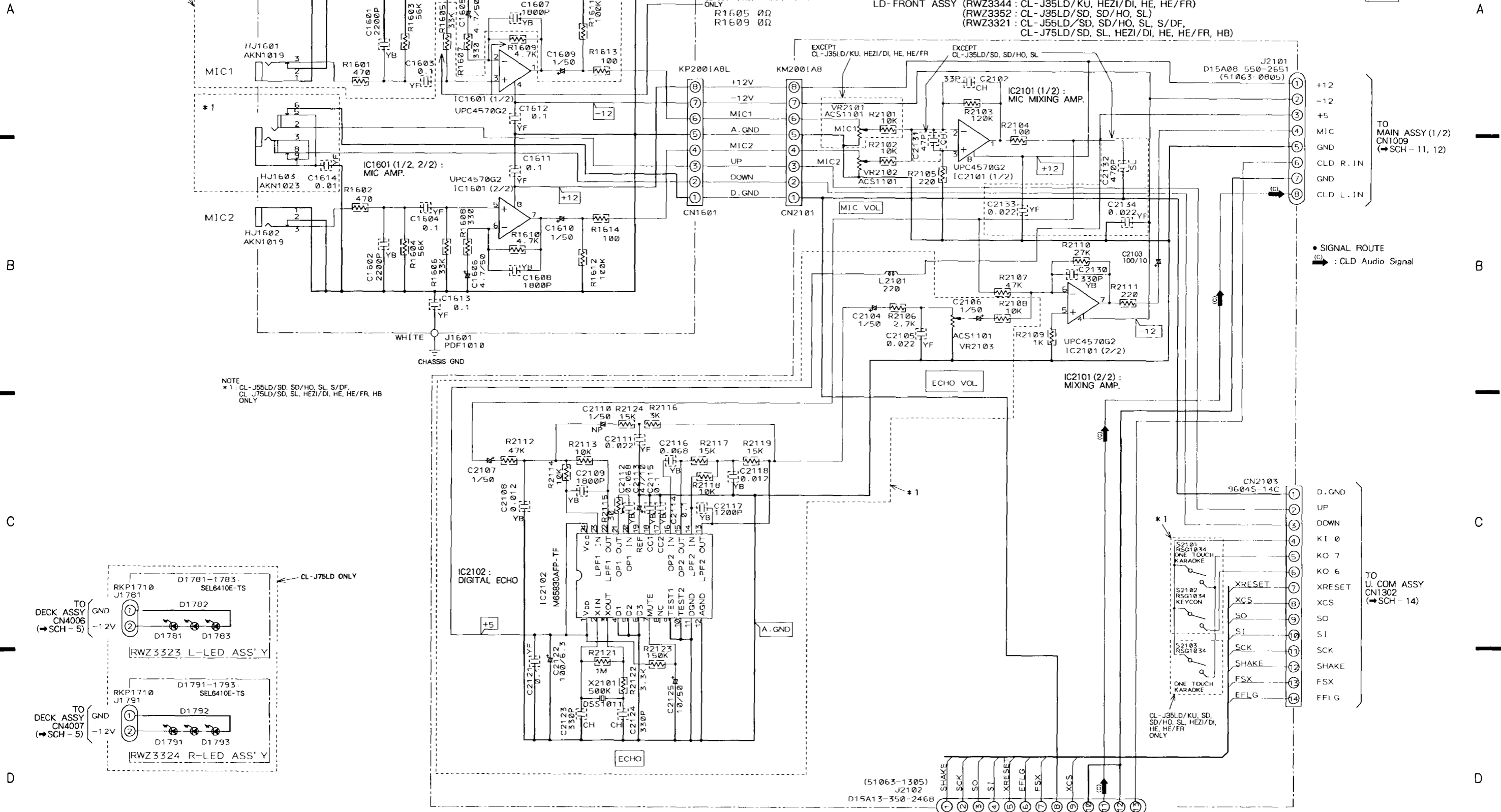
MIC ASSY
(RWZ3346 : CL-J35LD/KU, HEZI/DI, HE, HE/FR)
(RWZ3361 : CL-J35LD/SD, SD/HO, SL)
(RWZ3322 : CL-J55LD/SD, SD/HO, SL, S/DF, CL-J75LD/SD, SL, HEZI/DI, HE, HE/FR, HB)

EXCEPT
CL-J35LD/KU, HEZI/DI, HE, HE/FR

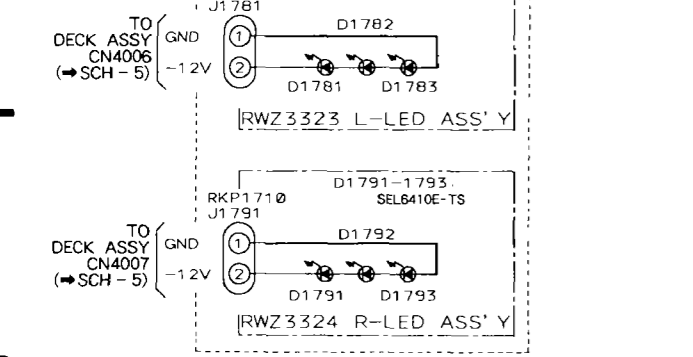
CL-J35LD/KU, HEZI/DI, HE, HE/FR
ONLY
R1605 0Ω
R1609 0Ω

LD-FRONT ASSY (RWZ3344 : CL-J35LD/KU, HEZI/DI, HE, HE/FR)
(RWZ3352 : CL-J35LD/SD, SD/HO, SL)
(RWZ3321 : CL-J55LD/SD, SD/HO, SL, S/DF,
CL-J75LD/SD, SL, HEZI/DI, HE, HE/FR, HB)

SCH-17



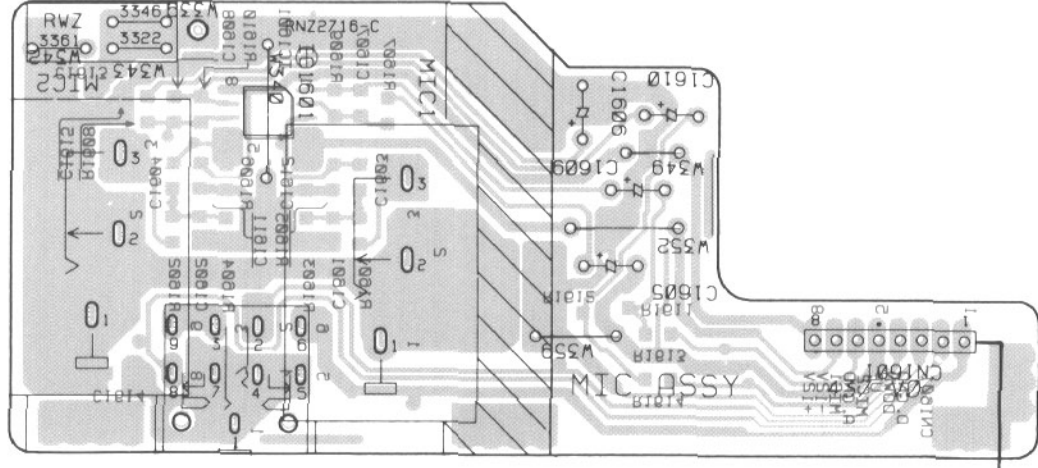
NOTE
*1: CL-J55LD/SD, SD/HO, SL, S/DF,
CL-J75LD/SD, SL, HEZI/DI, HE, HE/FR, HB
ONLY



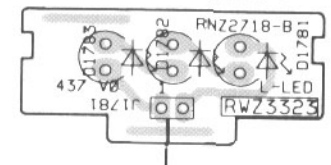
SCH-17 LD-FRONT ASSY,
MIC ASSY, L-LED ASSY,
R-LED ASSY

LD-FRONT ASSY,
MIC ASSY, L-LED ASSY,
R-LED ASSY SCH-17

MIC. ASSY

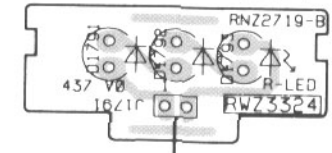


L-LED ASSY



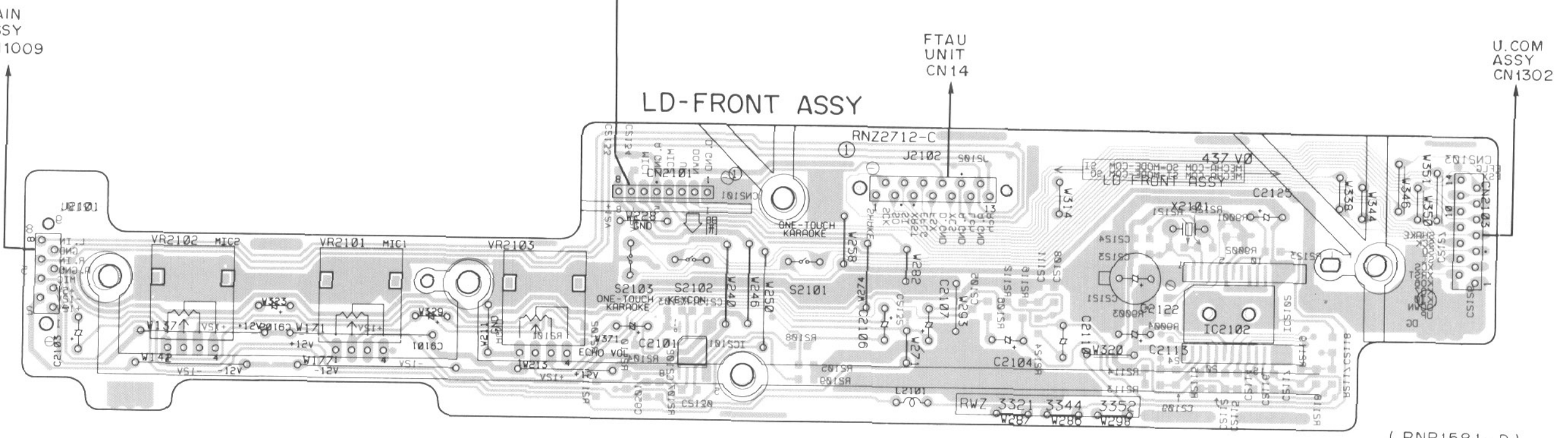
DECK
ASSY
CN 4006

R-LED ASSY



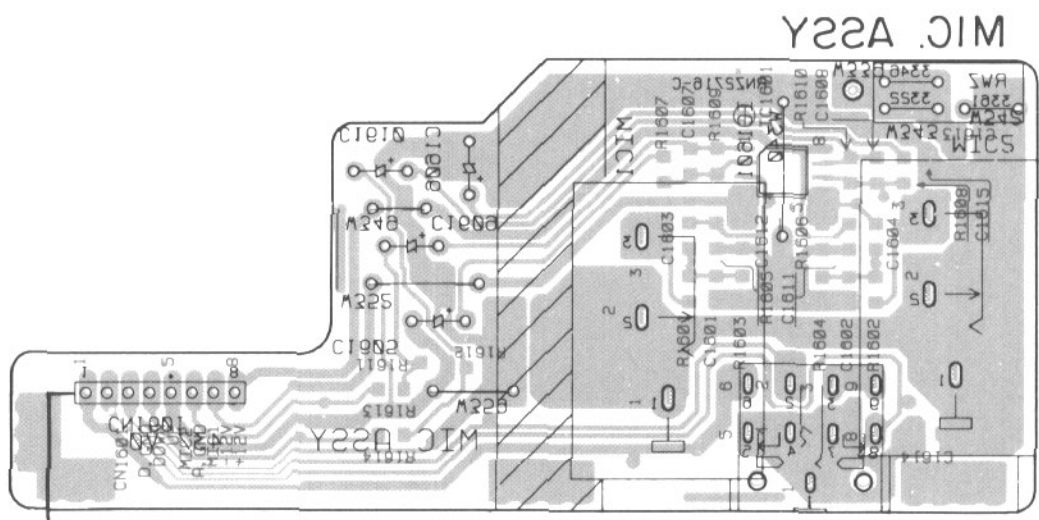
DECK
ASSY
CN4007

LD-FRONT ASSY

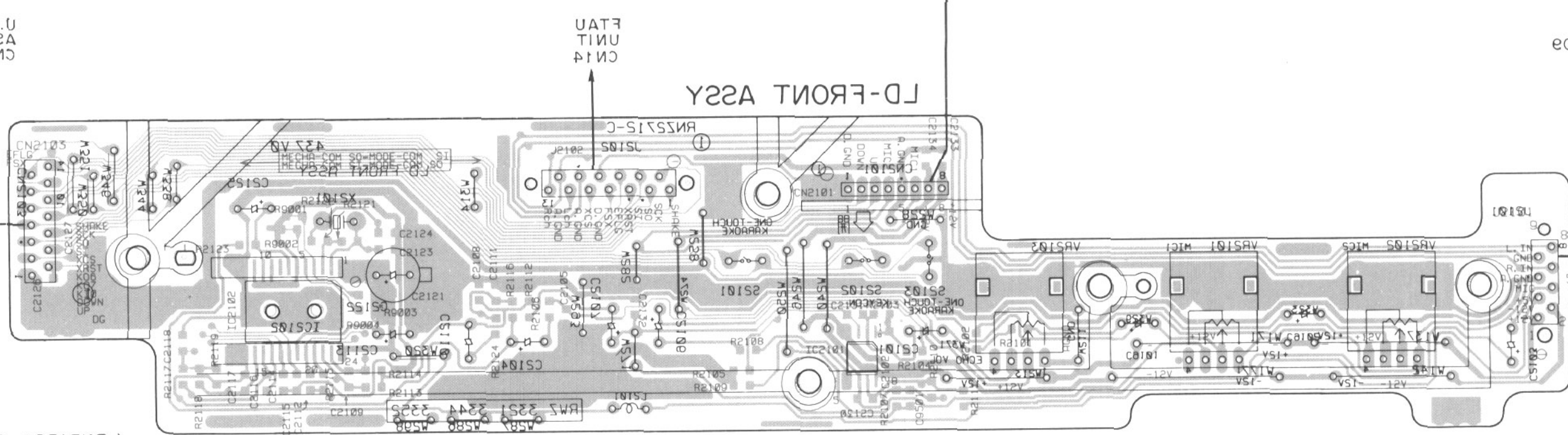


(RNP1581 - D)

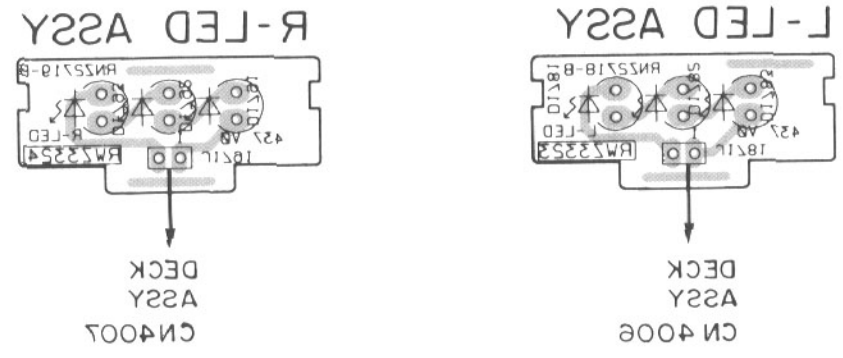
- This diagram is viewed from the mounted parts side.
- The parts mounted on this PCB include all necessary parts for several destinations. For further information for respective destinations, be sure to check with the schematic diagram.



MIC ASSY



LD-FRONT ASSY



R-LED ASSY

L-LED ASSY

U.COM ASSY CN1305

FTAU UNIT CN14

MAIN ASSY CN1000

(RNP1581-D)

• This diagram is viewed from the foil side.

CL - 125LD, CL - 135LD,
CL - 125LD, CL - 125LD

A

B

C

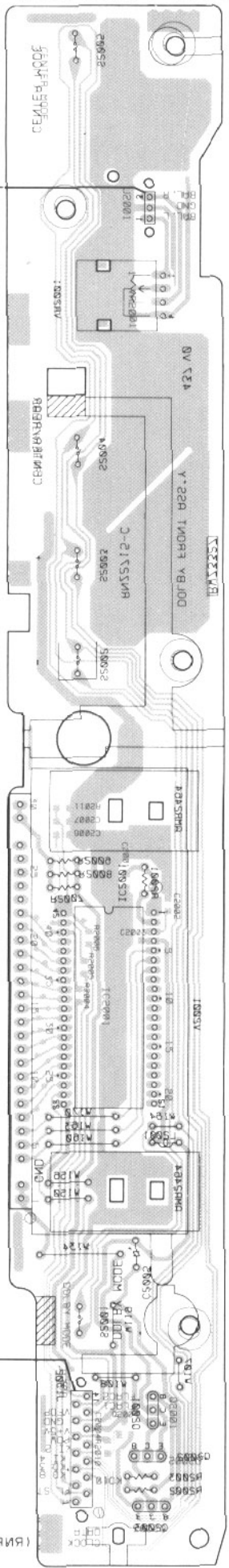
D

• This diagram is viewed from the foil side.

5

5

DOLBY-FRONT ASSY



MAIN ASSY
C1005

U COM
1305

(RNP1581-0)

3

3

PCB - 14

A

B

C

D

4.18 DOLBY-FRONT ASSY (CL-J75LD ONLY)

DOLBY-FRONT ASSY

A

B

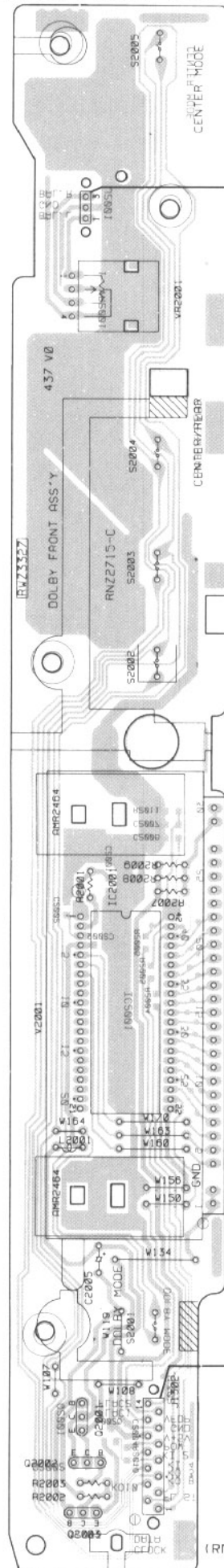
C

D

MAIN
ASSY
CN1002

U COM
ASSY
J1302

- This diagram is viewed from the mounted parts side.
- The parts mounted on this PCB include all necessary parts for several destinations. For further information for respective destinations, be sure to check with the schematic diagram.



A

A

SCH-18

B

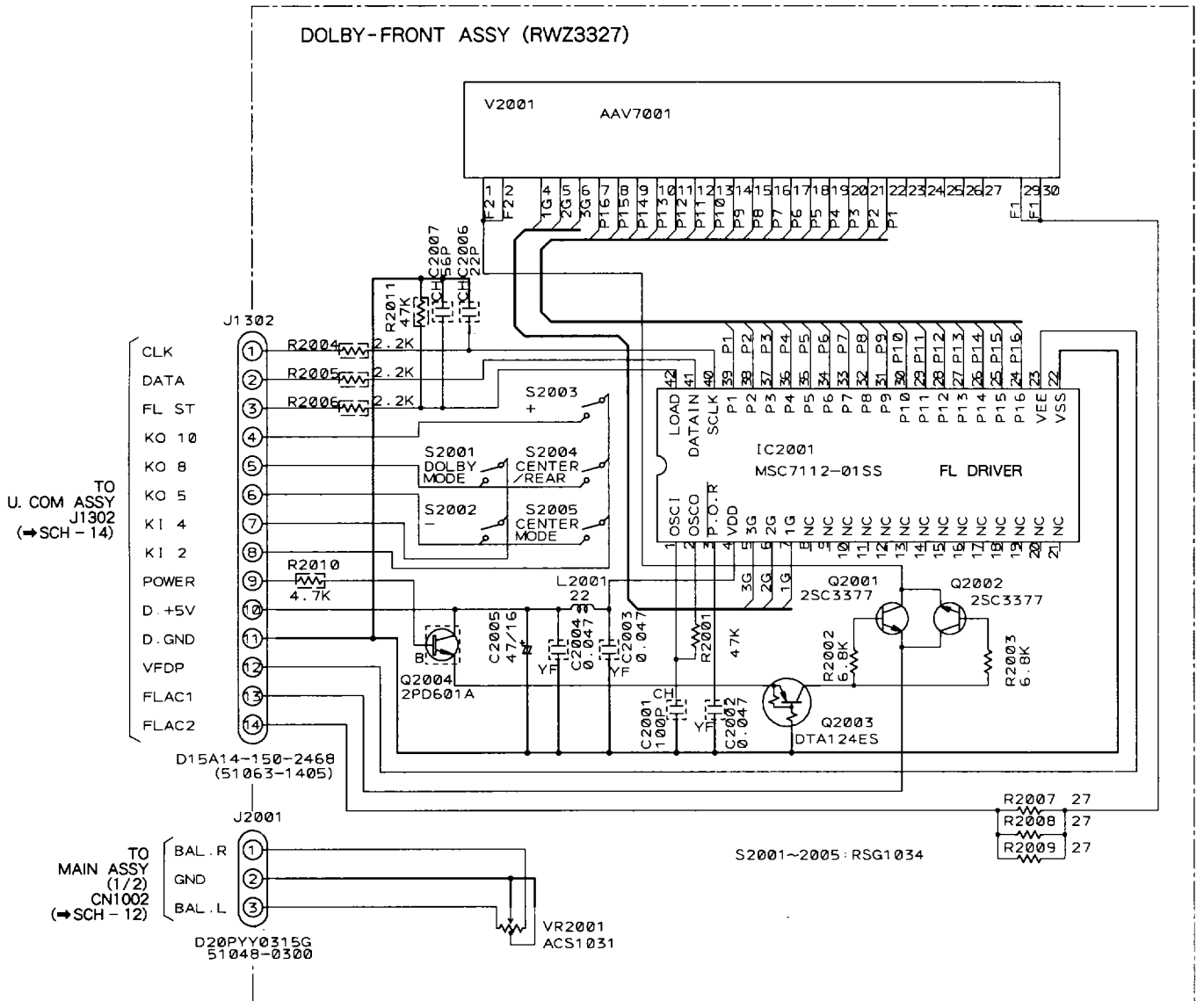
B

C

C

D

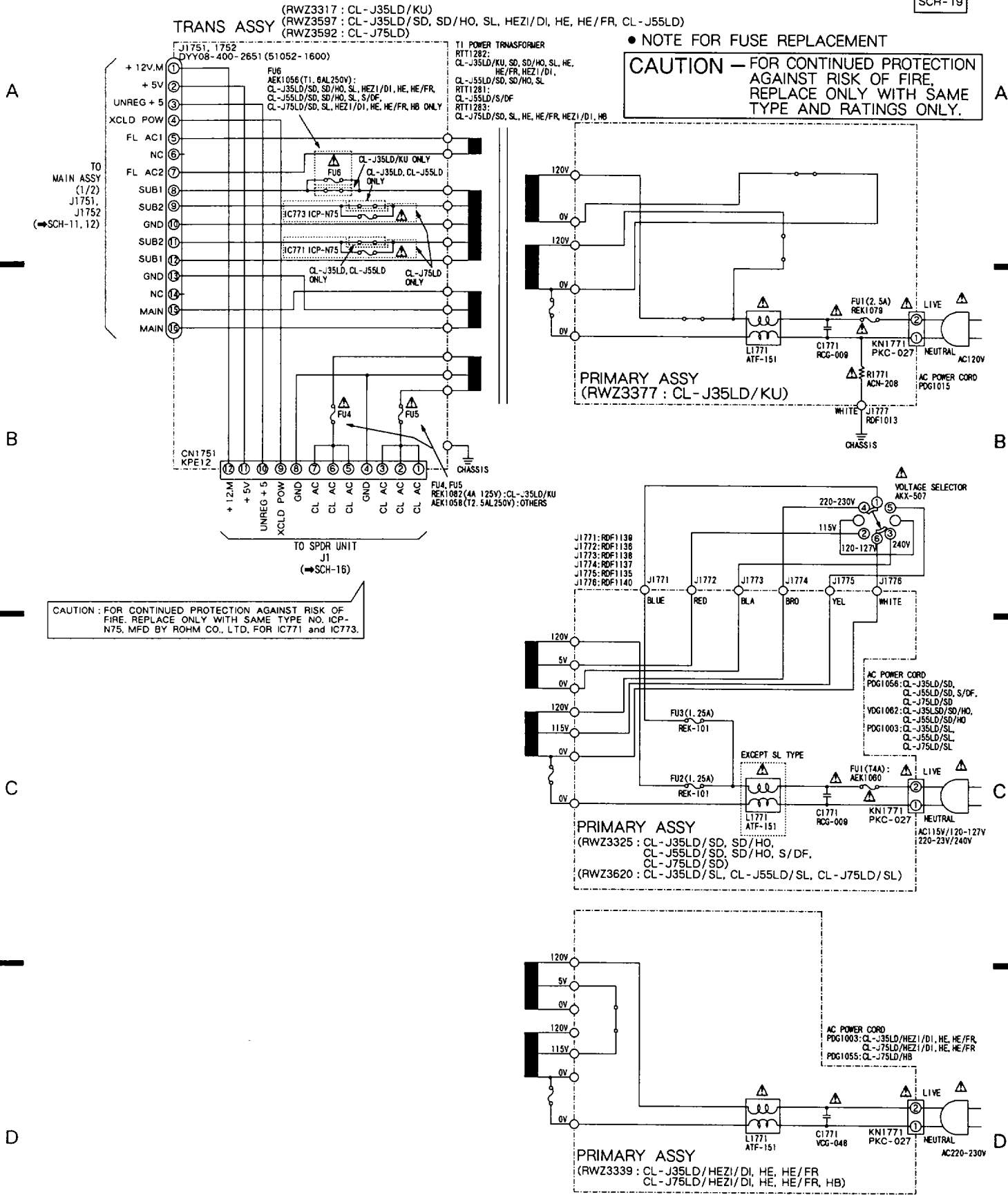
D



DOLBY-FRONT ASSY **SCH-18**

4.19 TRANS AND PRIMARY ASSEMBLIES

SCH-19



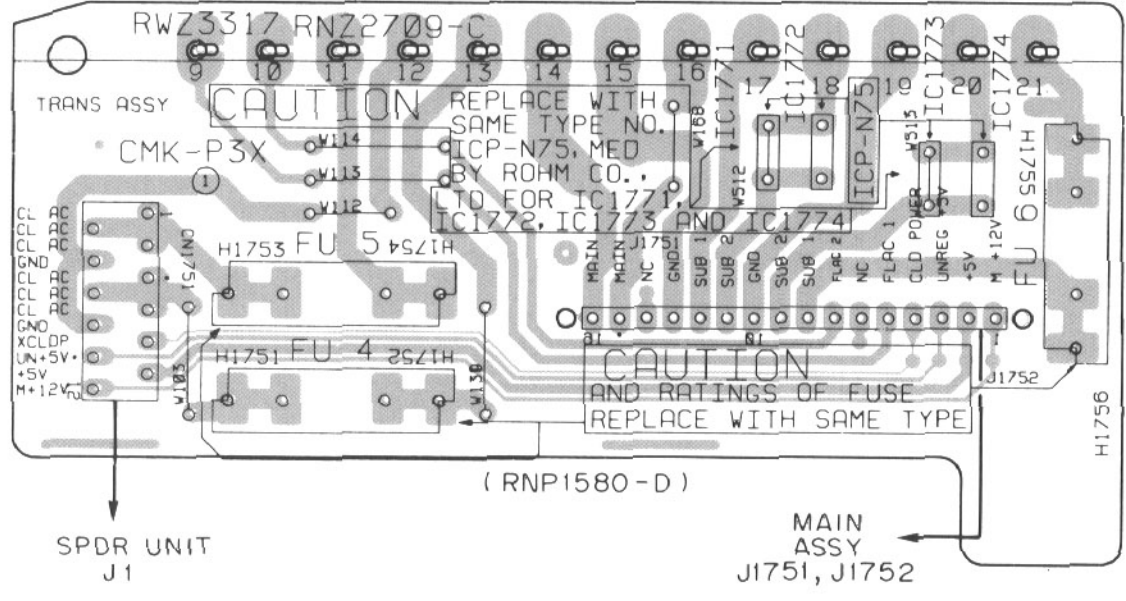
SCH-19

TRANS ASSY,
PRIMARY ASSY

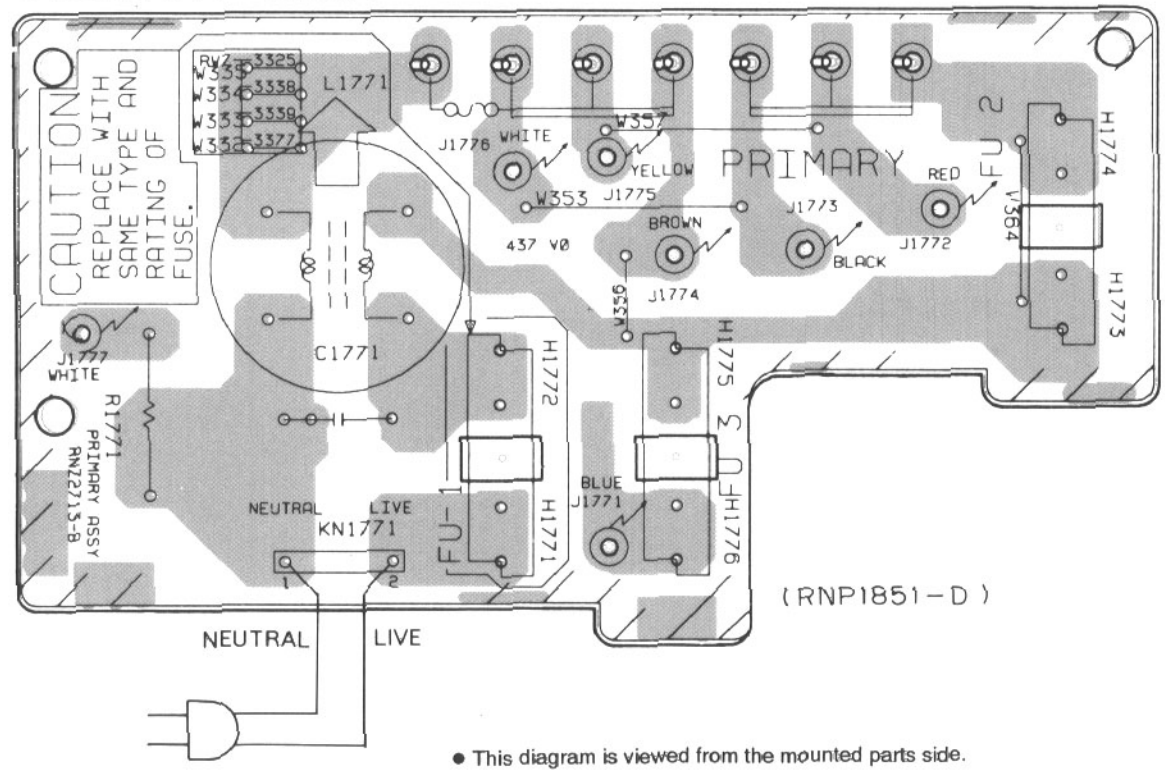
TRANS ASSY,
PRIMARY ASSY

SCH-19

TRANS ASSY

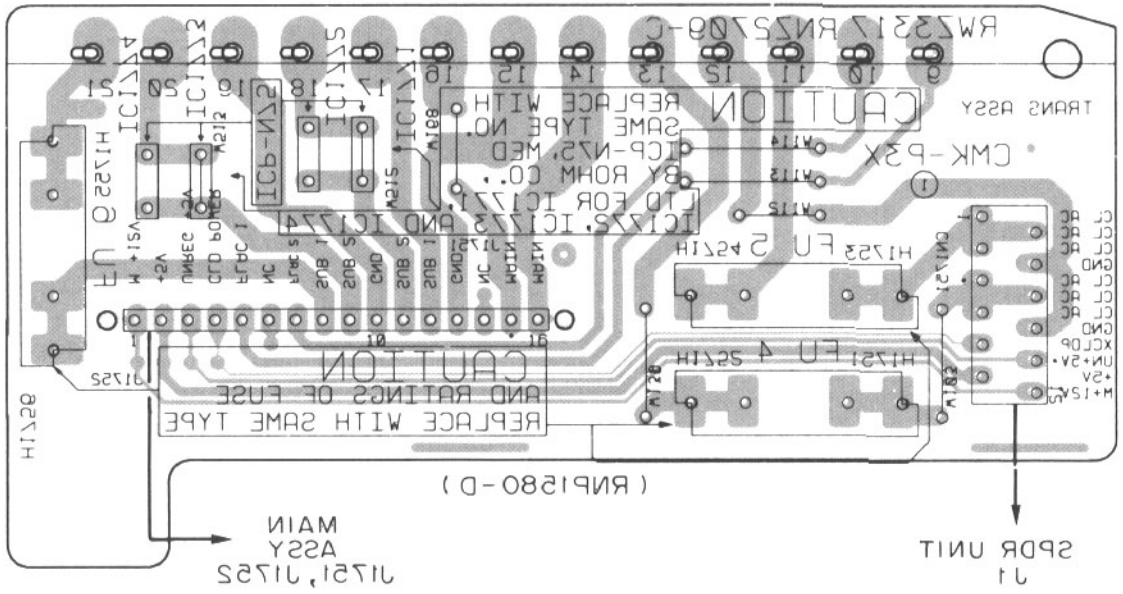


PRIMARY ASSY

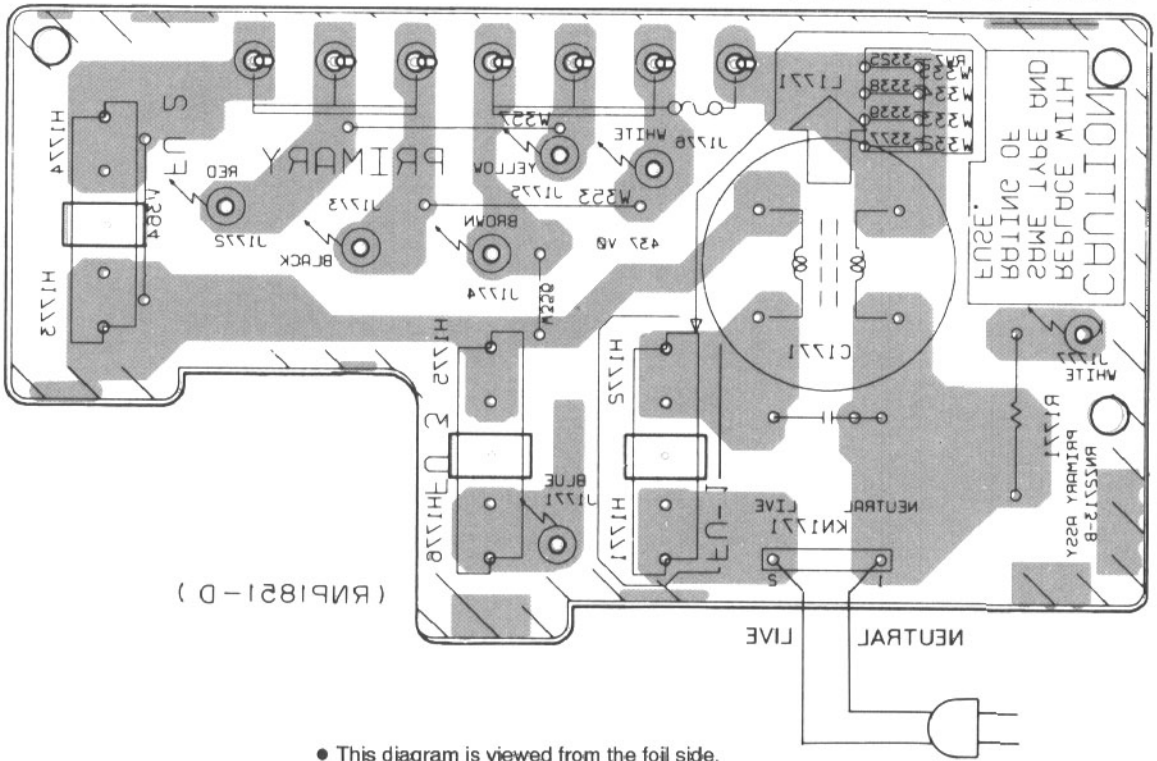


- This diagram is viewed from the mounted parts side.
- The parts mounted on this PCB include all necessary parts for several destinations. For further information for respective destinations, be sure to check with the schematic diagram.

TRANS ASSY



PRIMARY ASSY



• This diagram is viewed from the foil side.

PCB - 12

A

B

C

D

CL - 125LD, CL - 125LD
CL - 125LD, CL - 125LD

5

1

WAVEFORMES OF VSCB UNIT

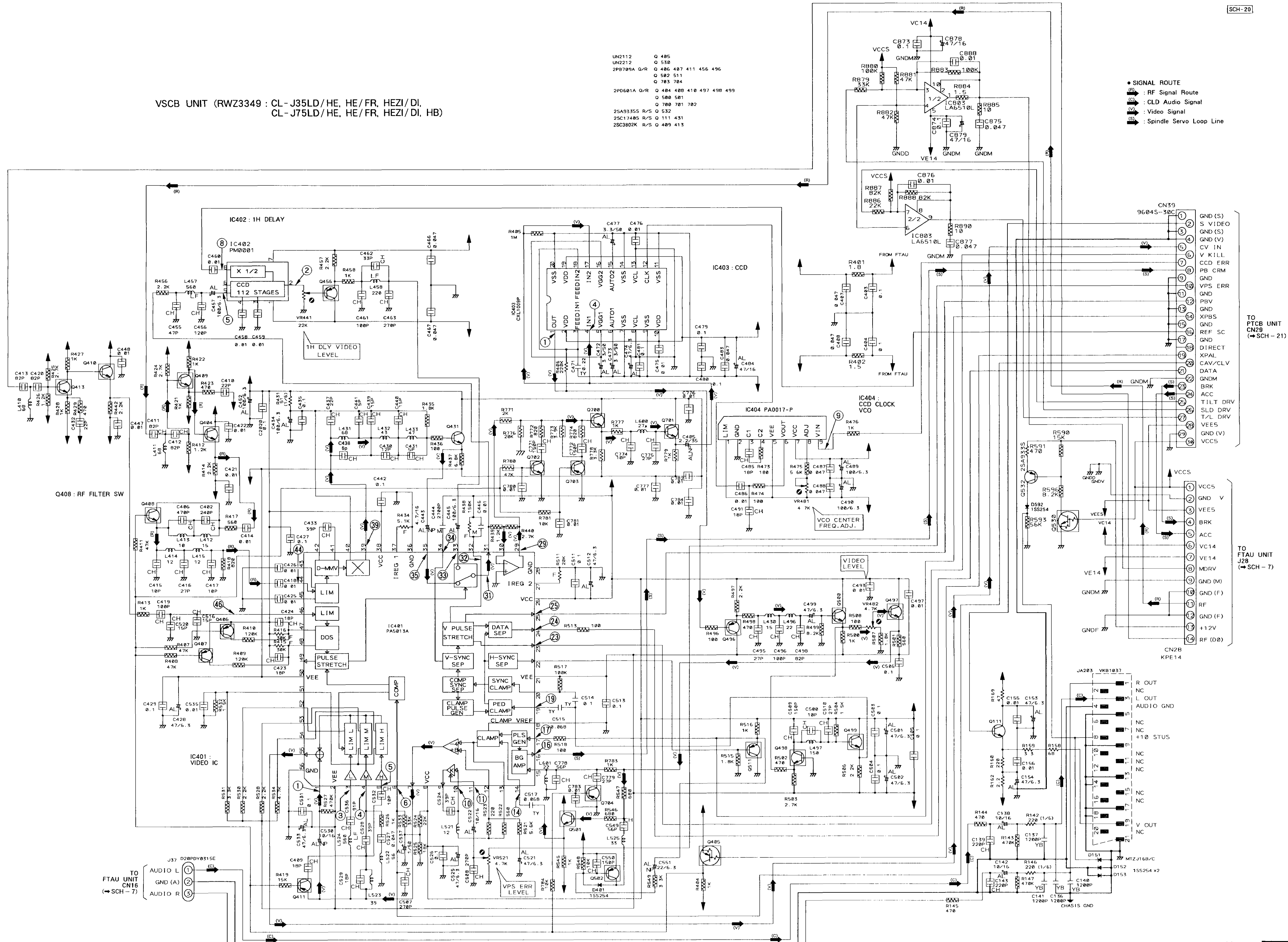
Note : (No.) in the table correspond to the pin number.

IC401 (PA5013A)			IC402 (PM0001)
<p>① H:20 μs/div</p> <p>DC mode</p>	<p>⑮ H:20 μs/div</p> <p>AC mode</p>	<p>⑳ H:20 μs/div</p> <p>AC mode</p>	<p>② H:20 μs/div</p> <p>DC mode</p>
<p>③ H:20 μs/div</p> <p>DC mode</p>	<p>⑰ H:20 μs/div</p> <p>DC mode</p>	<p>⑳ H:20 μs/div</p> <p>AC mode</p>	<p>⑤ H:20 μs/div</p> <p>DC mode</p>
<p>④ H:20 μs/div</p> <p>DC mode</p>	<p>⑰ H:20 μs/div</p> <p>DC mode</p>	<p>㉑ H:20 μs/div</p> <p>AC mode</p>	<p>⑧</p>
<p>⑤ H:20 μs/div</p> <p>DC mode</p>	<p>⑰ H:20 μs/div</p> <p>AC mode</p>	<p>㉒</p>	
<p>⑥ H:5ms/div</p> <p>DC mode</p>	<p>㉓</p>	<p>㉔ H:20 μs/div</p> <p>AC mode</p>	<p>IC403 (CXL1009P)</p> <p>① H:20 μs/div</p> <p>DC mode</p>
<p>⑩ H:20 μs/div</p> <p>DC mode</p>	<p>㉔</p>	<p>㉕ H:20 μs/div</p> <p>DC mode</p>	<p>④ H:20 μs/div</p> <p>DC mode</p>
<p>⑪ H:2ms/div</p> <p>DC mode</p>	<p>㉕</p>	<p>㉖</p>	
<p>⑭ H:20 μs/div</p> <p>DC mode</p>	<p>㉖</p> <p>AC mode</p>	<p>⑩</p>	<p>IC404 (PA0017-P)</p> <p>⑨</p>

VSCB UNIT (RWZ3349 : CL - J35LD/HE, HE/FR, HEZI/DI, CL - J75LD/HE, HE/FR, HEZI/DI, HB)

UN2112	Q	485
UN2212	C	538
2P9785A	Q/R	Q 486 487 411 456 496
	Q	582 511
	Q	783 784
2PD601A	Q/R	Q 484 488 410 497 498 499
	Q	500 581
	Q	780 781 782
2SA3355S	R/S	Q 532
2SC1748S	R/S	Q 111 431
2SC3802K	R/S	Q 489 413

- SIGNAL ROUTE
- Ⓜ RF Signal Route
- Ⓜ CLD Audio Signal
- Ⓜ Video Signal
- Ⓜ Spindle Servo Loop Line



A
B
C
D
E
F

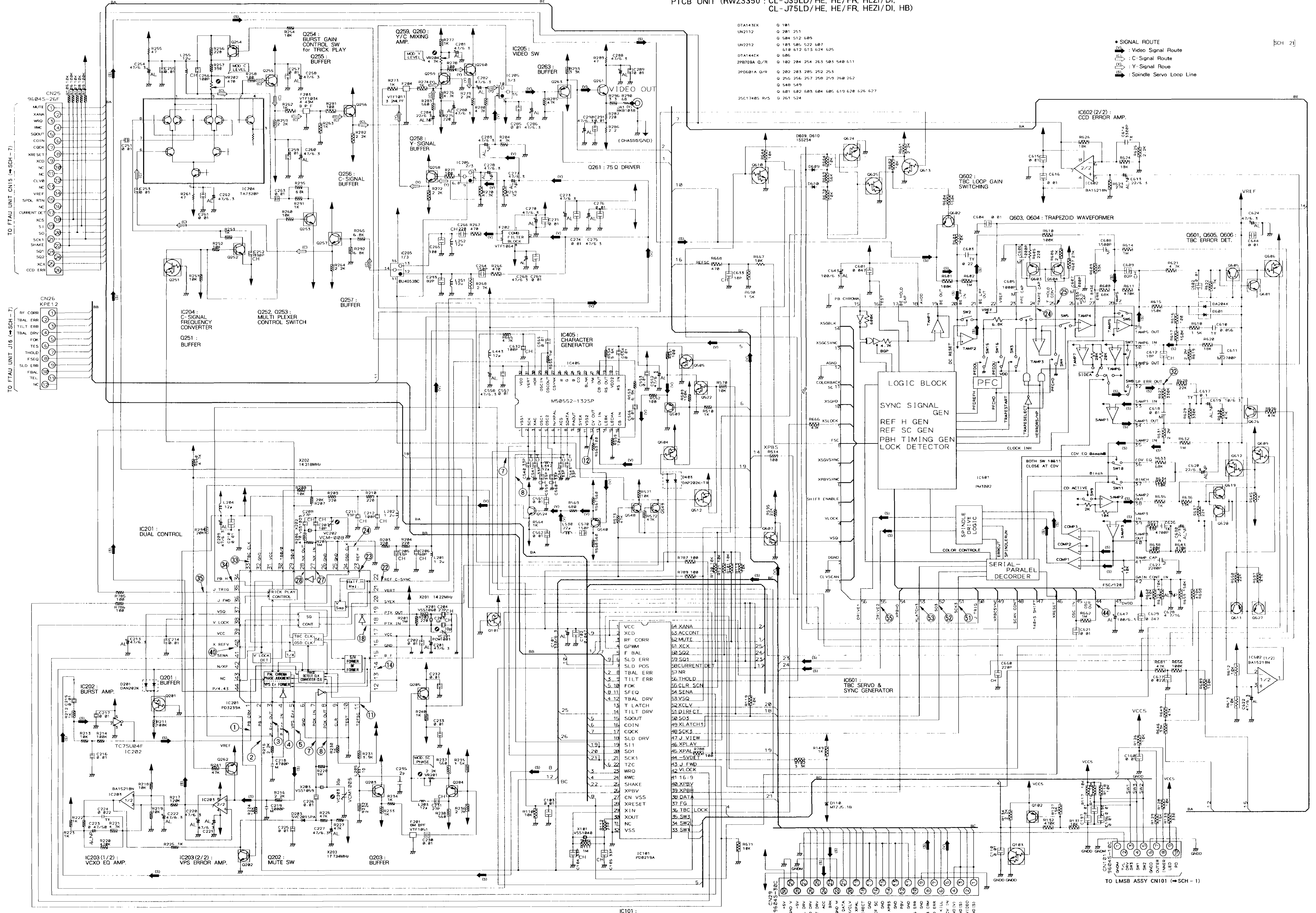
A
B
C
D
E
F

4.21 PTCB UNIT

PTCB UNIT (RWZ3350 : CL-J35LD/HE, HE/FR, HEZI/DI,
CL-J75LD/HE, HE/FR, HEZI/DI, HB)

A
B
C
D
E
F

A
B
C
D
E
F



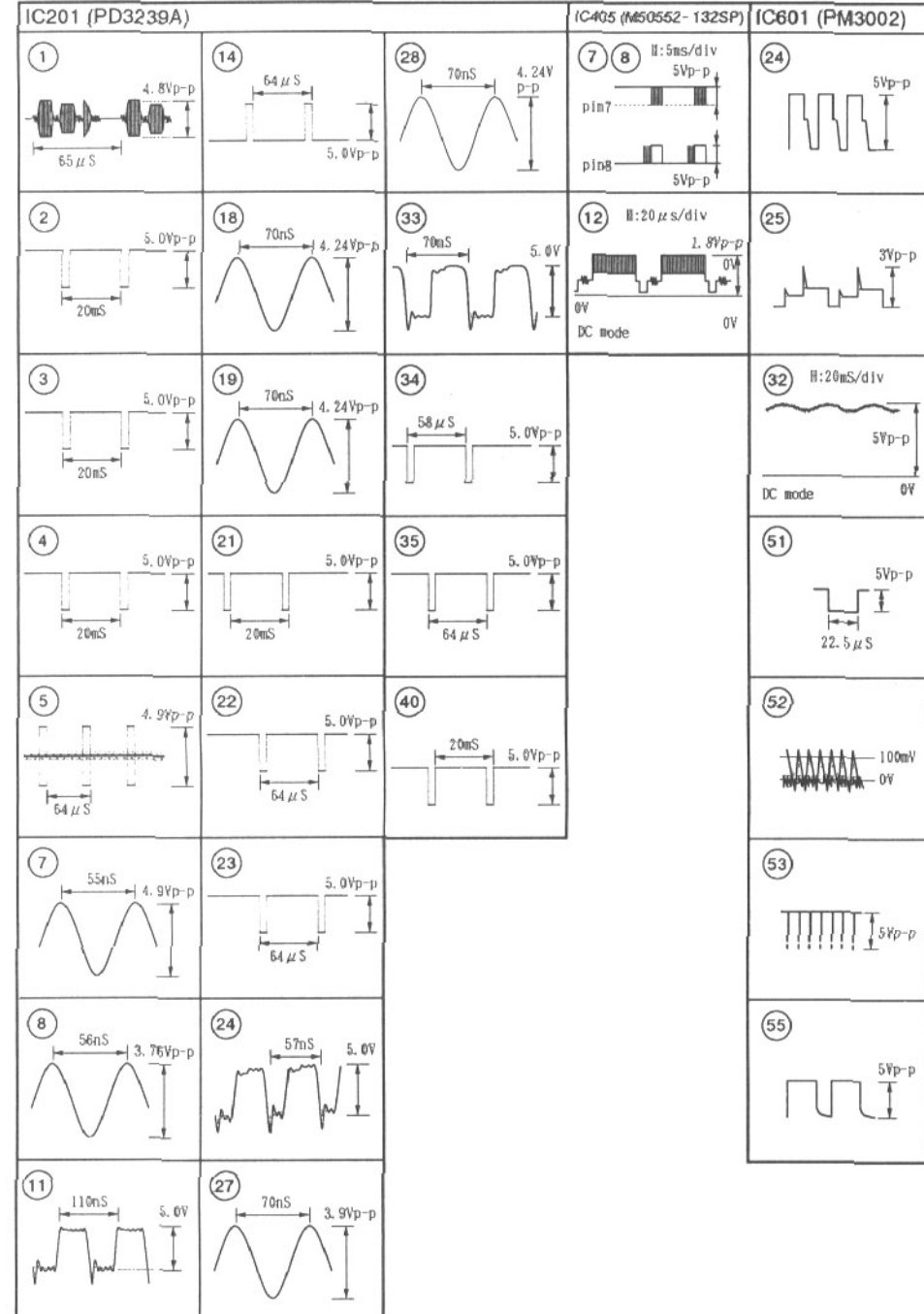
DTA144EK	Q 181
UN2112	Q 281 251
UN2212	Q 584 512 685
DTA144EK	Q 185 585 522 687
2P8709A Q/R	Q 188 412 613 624 625
2P8709A Q/R	Q 182 284 254 263 503 540 611
2P8709A Q/R	Q 282 283 285 252 253
2P8709A Q/R	Q 255 256 257 258 219 240 262
2P8709A Q/R	Q 549 549
2P8709A Q/R	Q 189 682 683 684 685 619 620 626 627
2P8709A Q/R	Q 261 524

• SIGNAL ROUTE
 ○ Video Signal Route
 ○ C-Signal Route
 ○ Y-Signal Route
 ○ Spindle Servo Loop Line

[SCH 21]

WAVEFORMS OF PTCB UNIT

Note: (No.) in the table correspond to the pin number.



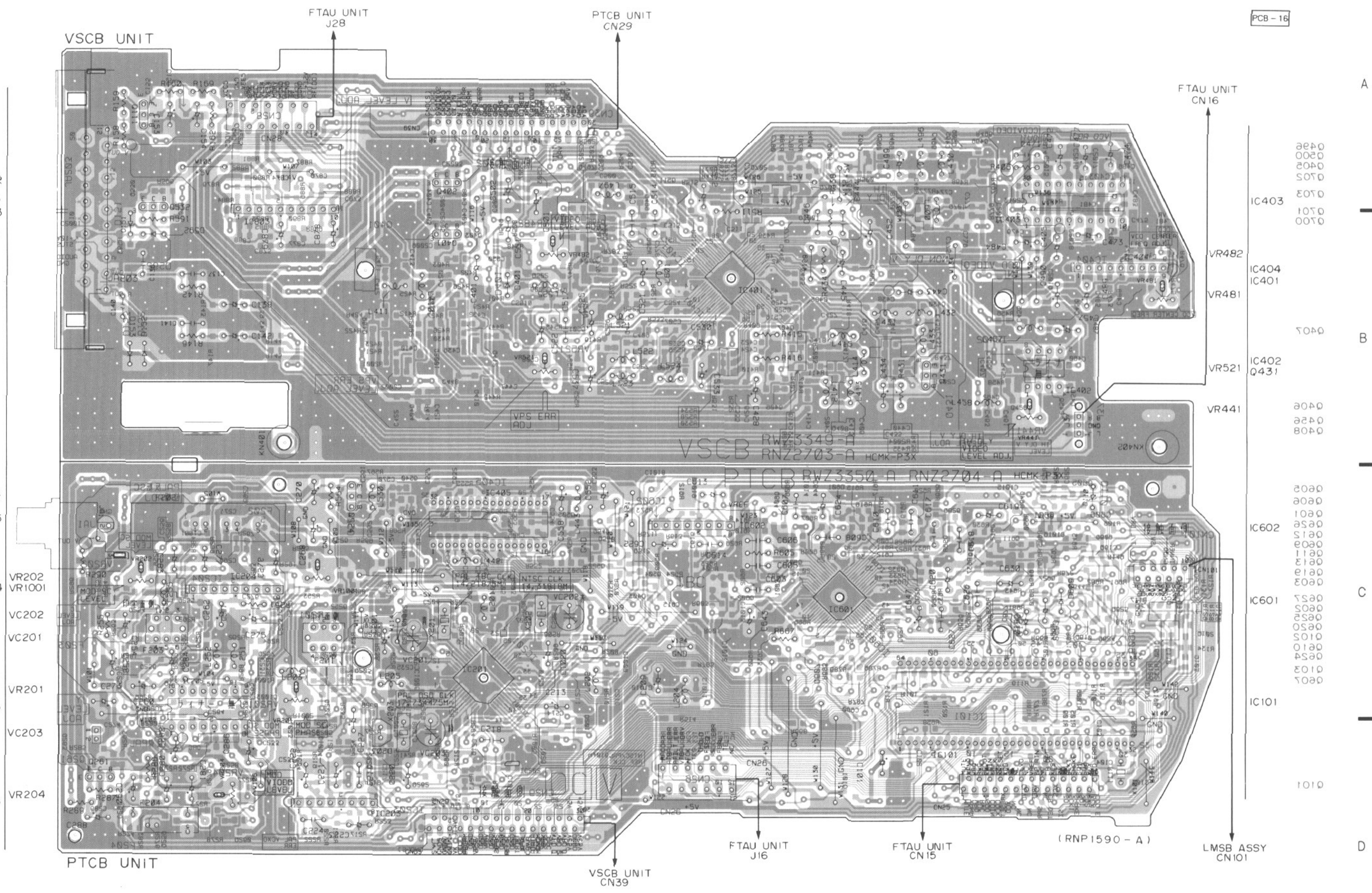
Note: These waveforms and voltage are in the PAL disc playback.
IC201 (PD3239A)

Pin No.	Voltage (V)	Pin No.	Voltage (V)	Pin No.	Voltage (V)	Pin No.	Voltage (V)
1	*	12	5.0	23	*	34	*
2	*	13	5.0	24	*	35	*
3	*	14	*	25	0	36	5.0
4	*	15	5.0	26	0	37	5.0
5	*	16	0	27	*	38	5.0
6	0	17	5.0	28	*	39	5.0
7	*	18	*	29	5.0	40	*
8	*	19	*	30	5.0	41	0
9	5.0	20	5.0	31	5.0	42	0
10	0	21	*	32	0	43	5.0
11	*	22	*	33	*	44	5.0

* : Refer to waveforms

Note: Values indicate the voltages in the PLAY mode.
IC405 (MS0552-132SP)

Pin No.	Voltage (V)	Pin No.	Voltage (V)	Pin No.	Voltage (V)	Pin No.	Voltage (V)
1	0	9	-	17	0.8	25	-
2	5	10	5	18	-	26	-
3	5	11	0	19	0	27	-
4	2.4	12	1.1	20	0	28	2.3
5	2.4	13	1.1	21	-	29	2.3
6	0	14	-	22	-	30	-
7	5	15	1.8	23	-	31	-
8	0.4	16	0.6	24	-	32	-



- This diagram is viewed from the pink colored foil side.
- This PCB is double sided.

- The parts mounted on this PCB include all necessary parts for several destinations. For further information for respective destinations, be sure to check with the schematic diagram.

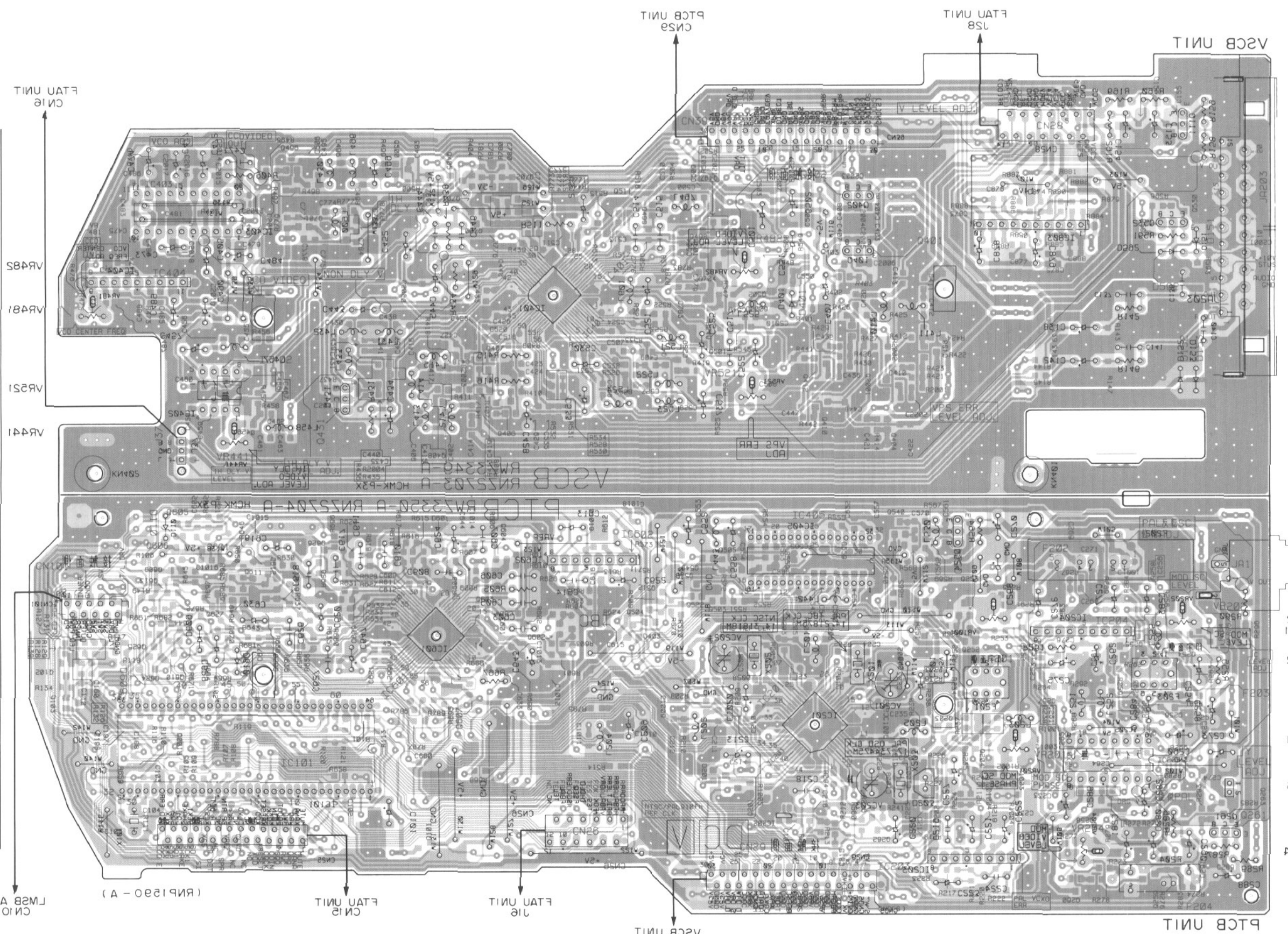
A

B

C

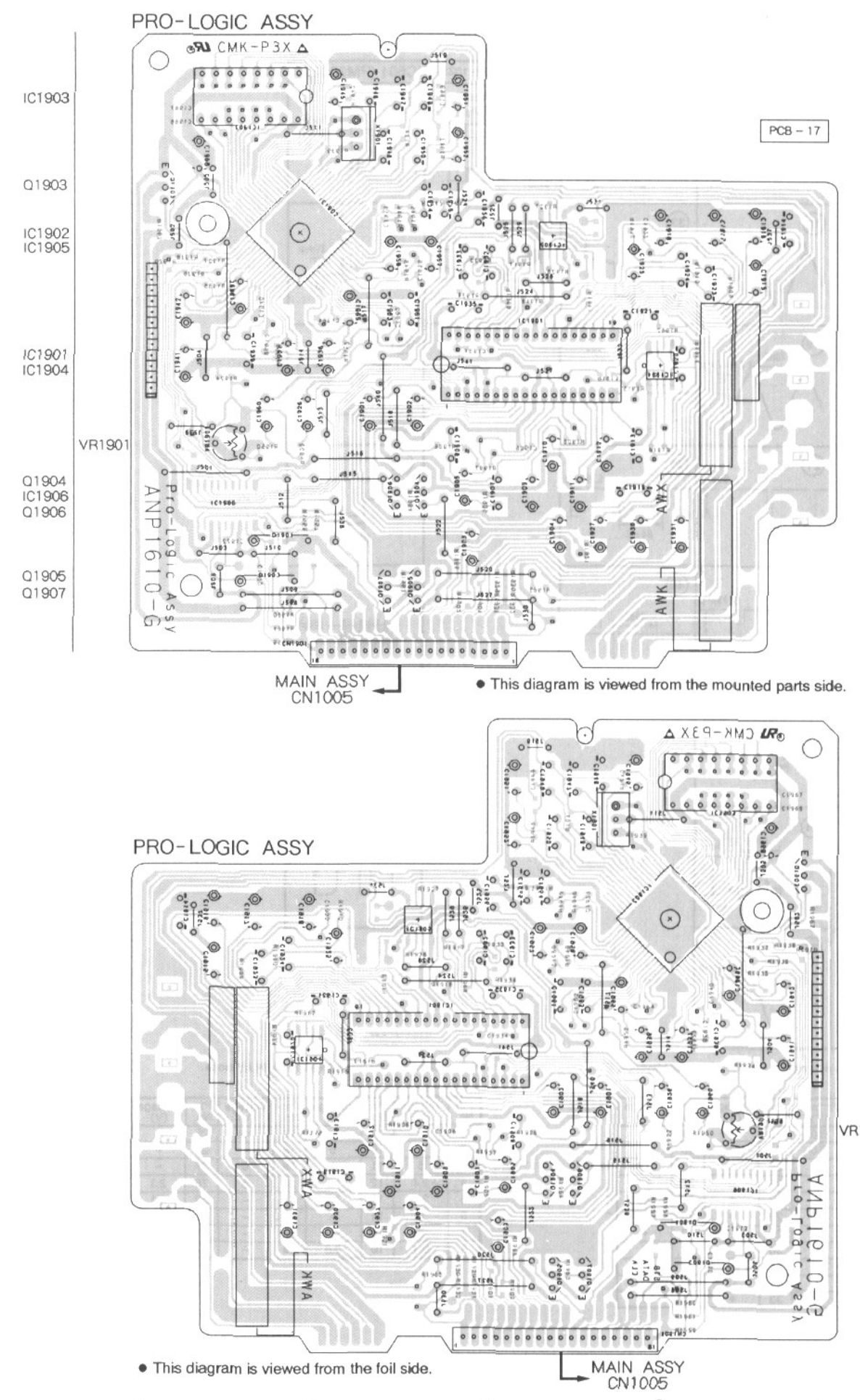
D

Q496
Q500
Q405
Q702
Q703
Q701
Q700
IC903
VR4B5
IC401
IC404
VR4B1
Q407
Q431
IC405
VR4S1
Q406
Q456
Q408
VR4A1
Q605
Q606
Q601
Q626
Q612
Q609
Q610
Q613
Q619
Q603
Q627
Q602
Q625
Q620
Q102
Q610
Q624
Q103
Q607
IC101
Q101
Q101
LMB ASSY
CN101
(RNP150 - A)



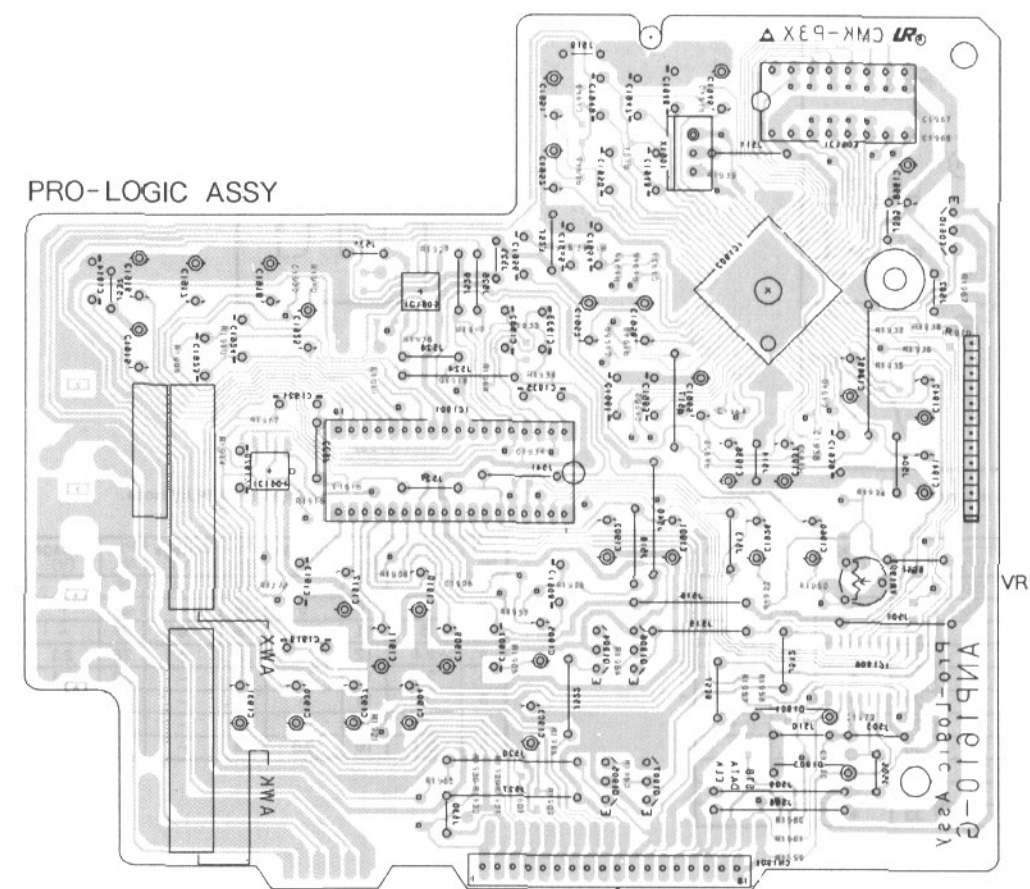
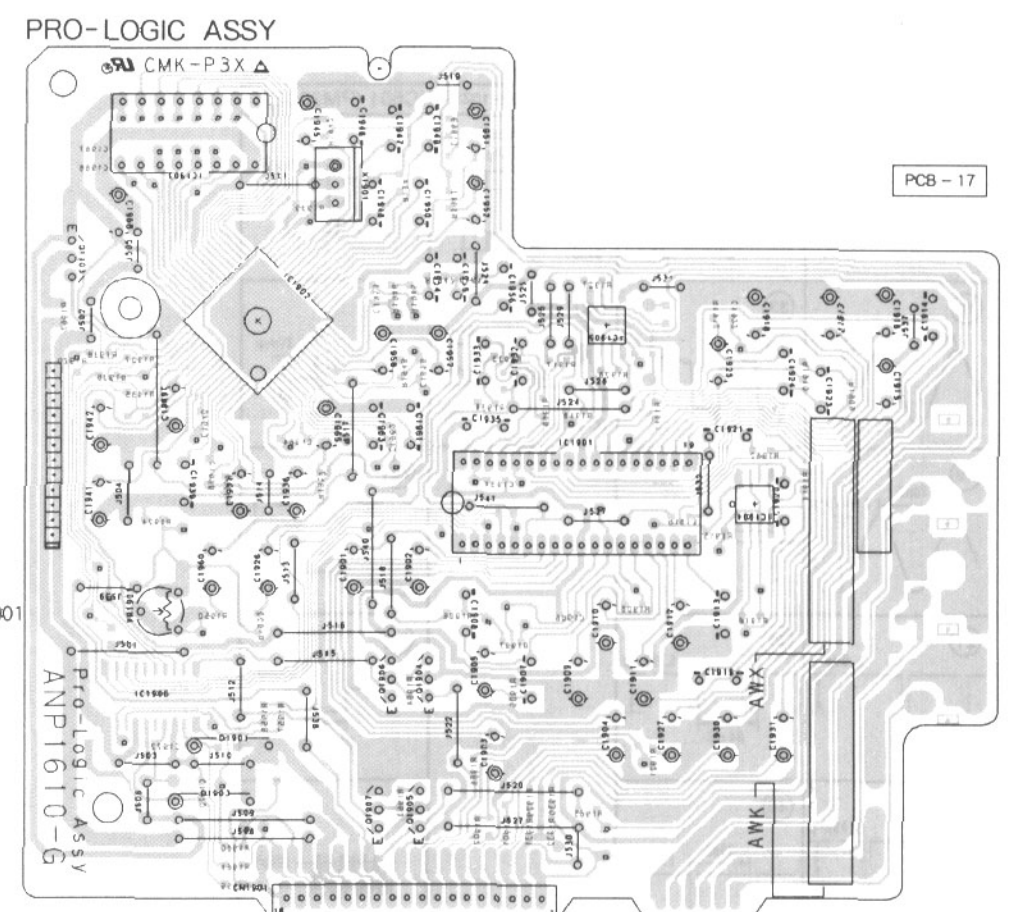
• This diagram is viewed from the gray colored foil side.
• This PCB is double sided.

4.22 PRO-LOGIC ASSY (CL-J75LD ONLY)



Q1010
Q497
Q511
Q530
Q499
Q498
Q403
Q704
Q502
Q413
Q409
Q411
Q501
Q412
Q2001
Q410
Q404
Q549
Q548
Q512
Q253
Q522
Q521
Q520
Q523
Q504
Q255
Q252
Q254
Q204
Q203
Q205
Q263
Q201
Q202
Q258
Q202
Q262
Q260
Q259

IC1903
Q1903
IC1902
IC1905
IC1901
IC1904
Q1904
IC1906
Q1906
Q1905
Q1907



A

B

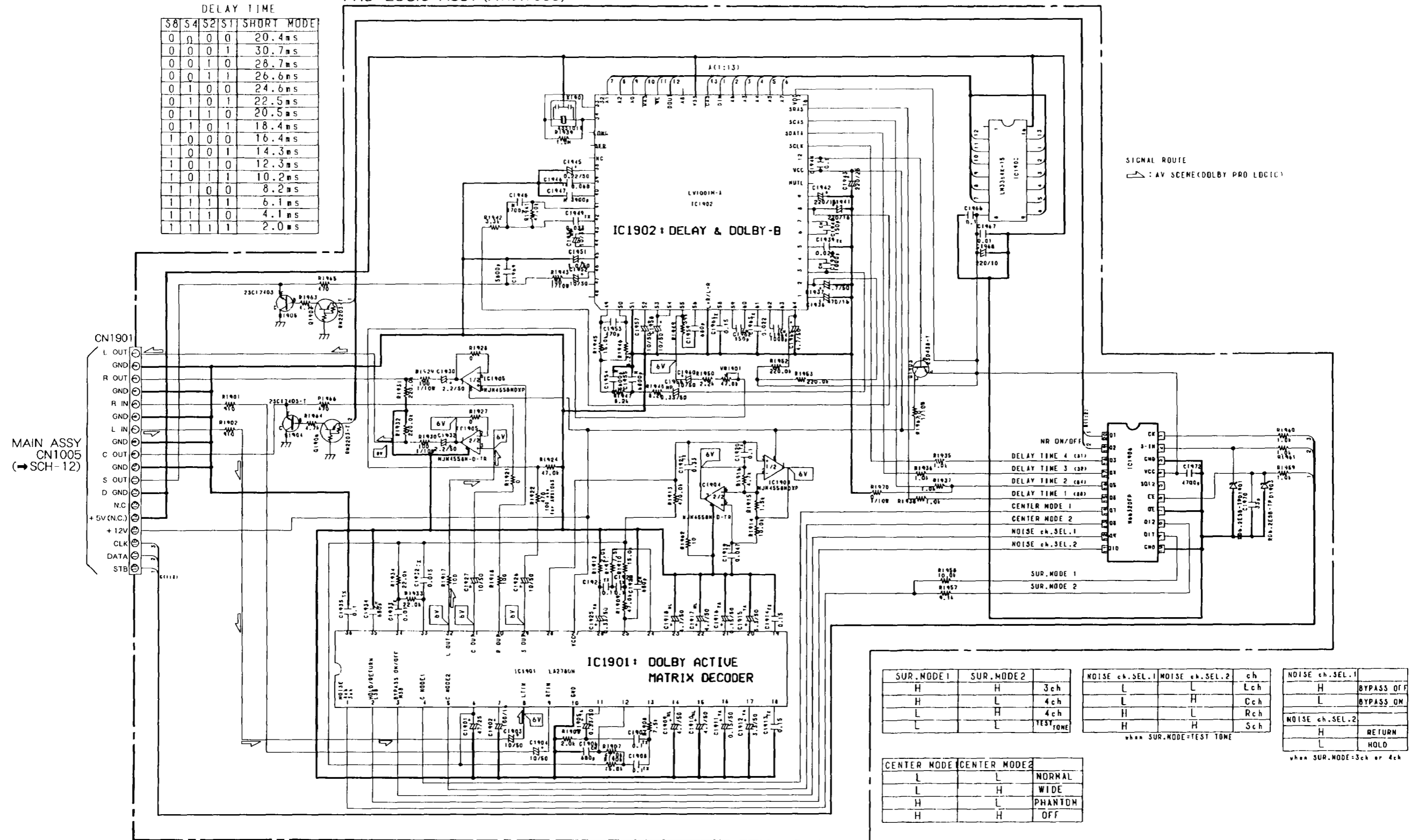
C

D

LV1001
DELAY TIME

S8	S4	S2	S1	SHORT MODE
0	0	0	0	20.4ms
0	0	0	1	30.7ms
0	0	1	0	28.7ms
0	0	1	1	26.6ms
0	1	0	0	24.6ms
0	1	0	1	22.5ms
0	1	1	0	20.5ms
0	1	1	1	18.4ms
1	0	0	0	16.4ms
1	0	0	1	14.3ms
1	0	1	0	12.3ms
1	0	1	1	10.2ms
1	1	0	0	8.2ms
1	1	1	1	6.1ms
1	1	1	0	4.1ms
1	1	1	1	2.0ms

PRO-LOGIC ASSY (AWX7009)



SUR.MODE 1	SUR.MODE 2	ch
H	H	3ch
H	L	4ch
L	H	4ch
L	L	TEST TONE

CENTER MODE 1	CENTER MODE 2	
L	L	NORMAL
L	H	WIDE
H	L	PHANTOM
H	H	OFF

NOISE ch.SEL.1	NOISE ch.SEL.2	ch
L	L	Lch
L	H	Cch
H	L	Rch
H	H	Sch

when SUR.MODE=TEST TONE

NOISE ch.SEL.1	
H	BYPASS OFF
L	BYPASS ON

NOISE ch.SEL.2	
H	RETURN
L	HOLD

when SUR.MODE=3ch or 4ch

5. PCB PARTS LIST (For CL-J35LD/KU)

NOTES:

- Parts marked by "NSP" are generally unavailable because they are not in our Master Spare Parts List.
- The Δ mark found on some component parts indicates the importance of the safety factor of the part. Therefore, when replacing, be sure to use parts of identical designation.
- Parts marked by "⊙" are not always kept in stock. Their delivery time may be longer than usual or they may be unavailable.
- When ordering resistors, first convert resistance values into code form as shown in the following examples.
 - Ex.1 When there are 2 effective digits (any digit apart from 0), such as 560 ohm and 47k ohm (tolerance is shown by J=5%, and K=10%).
 - 560 Ω \rightarrow 56 \times 10¹ \rightarrow 561..... RD1/8PM $\overline{5} \overline{6} \overline{1} J$
 - 47k Ω \rightarrow 47 \times 10³ \rightarrow 473..... RD1/4PS $\overline{4} \overline{7} \overline{3} J$
 - 0.5 Ω \rightarrow 0R5..... RN2H $\overline{0} \overline{R} \overline{5} K$
 - 1 Ω \rightarrow 010..... RS1P $\overline{0} \overline{1} \overline{0} K$
 - Ex.2 When there are 3 effective digits (such as in high precision metal film resistors).
 - 5.62k Ω \rightarrow 562 \times 10¹ \rightarrow 5621..... RN1/4PC $\overline{5} \overline{6} \overline{2} \overline{1} F$

Mark	No.	Description	Part No.
LIST OF ASSEMBLIES			
NSP	AF ASSY		RWM1833
	├ MAIN ASSY		RWZ3619
	├ VOL ASSY		RWZ3593
	├ DECK ASSY		RWZ3577
NSP	└ TRANS ASSY		RWZ3317
NSP	DISP ASSY		RWM1773
NSP	├ PRIMARY ASSY		RWZ3377
NSP	├ U. COM ASSY		RWZ3376
NSP	├ H. P. ASSY		RWZ3351
	├ LD-FRONT ASSY		RWZ3344
	├ SPDR UNIT		RWZ3359
	└ MIC ASSY		RWZ3346
	MOTH UNIT		RWM1764
	├ FTAU UNIT		RWZ3357
	└ VIMC UNIT		RWZ3358
	FM/AM TUNER MODULE		AXQ1012
	POWER AMP. MODULE		AXQ7018
	├ FRONT 50W ASSY		AWZ7517
	└ REGULATOR ASSY		AWZ7560
NSP	MACB ASSY		VWM1507
NSP	├ LMSB ASSY		VWG1554
NSP	├ PKSB ASSY		VWG1555
NSP	└ FG ASSY		VWG1556
	CARRIAGE ASSY		VWT1110
NSP	└ HEAD ASSY		VWV1375

MAIN ASSY

SEMICONDUCTORS

	IC1002, IC1014	BU4052BCF
	IC1001	BU4066BCF
Δ	IC1022, IC1023	ICP-N50
	IC1013	M66320FP
	IC1006	PM0006A
	IC1003, IC1005	UPC4570G2
	IC1015, IC1016	XRA4558F-P
	Q1027, Q1028	2PB709A
	Q1020, Q1021	2PD601A
	Q1011	2SA1515

Mark	No.	Description	Part No.
Δ	Q1004		2SB560
	Q1024		2SC3327
	Q1007		2SC3377
Δ	Q1001		2SD438
	Q1014, Q1025		DTA124EK
	Q1008		DTA143EK
	Q1029		DTC124EK
	Q1012		DTC143EK
Δ	D1008, D1009, D1030, D1032, D1033		11ES2
	D1003, D1004, D1006, D1014, D1015		1SS254
	D1026-D1029		1SS254
Δ	D1010		D2SBA20(B)
Δ	D1012		D3SBA20(A)
	D1005		MTZJ10B
	D1007		MTZJ30B
	D1017		MTZJ5. 1B
	D1016		MTZJ5. 6B

CAPACITORS

	C1123	CCSQCH101J50
	C1098	CEANP100M50
	C1083	CEANP101M35
	C1112	CEANP101M6R3
	C1113	CEAS010M50
	C1020, C1021, C1025, C1027, C1028	CEAS100M50
	C1032	CEAS100M50
	C1127	CEAS101M10
	C1084	CEAS101M63
	C1088	CEAS102M35
	C1125	CEAS221M6R3
	C1087	CEAS332M35
	C1085	CEAS470M50
	C1128	CEJA101M10
	C1022, C1029, C1075, C1080	CKSQYB102K50
	C1124	CKSQYB103K50
	C1073, C1078	CKSQYB153K50
	C1076, C1081	CKSQYB471K50
	C1074, C1079	CKSQYB472K50
	C1019	CKSQYB562K50

Mark	No.	Description	Part No.
	C1030, C1031		CKSQYB683K25
	C1023, C1024		CKSQYB822K50
	C1015, C1016, C1094, C1095		CKSQYF103Z50
	C1026, C1033, C1034, C1096, C1097		CKSQYF104Z50
	C1115-C1118		CKSQYF104Z50
	C1072, C1077		CKSQYF473Z50
	C1091, C1092	(3300/50V)	RCH1129

RESISTORS

	R1098		RD1/2PM103J
△	R1104		RD1/2PMF272J
△	R1178, R1179		RD1/4PM181J
	R1100		RD1/6PM472J
△	R1101, R1102		RFA1/4PS470J
△	R1103		RFA1/4PS4R7J
△	R1099, R1236		RS1LMF122J
△	R1195		RS2LMF181J
△	R1087, R1088		RS2LMFR22J
△	R1194		RS3LMF390J
	Other Resistors		RS1/10S□□□J

OTHERS

	10P CABLE HOLDER	51052-1000
	16P CABLE HOLDER	51052-1600
	12P CABLE HOLDER	51063-1205
CN1001	34P FFC CONNECTOR	9604S-34C
CN1014	4P SPEAKER TERMINAL	RKE1005
CN1012	6P JUMPER CONNECTOR	KPC6
CN1017	15P JUMPER CONNECTOR	KPE15
CN1009	8P JUMPER CONNECTOR	KPE8
CN1015	3P PIN JACK	RKB1036
CN1016	3P PIN JACK	RKB1037
JA1001	REMOTE CONTROL JACK	RKN1004
KN1001	EARTH METAL FITTING	VNF1084

VOL ASSY

SEMICONDUCTORS

	IC1801	TA8409S
	IC1802	UPC4570G2
	Q1801, Q1802	2SC3327
	Q1803	DTA124EK

COIL

L1801	LAU221J
-------	---------

CAPACITORS

C1819, C1820	CCSQCH470J50
C1828	CEAS101M25
C1807, C1808	CEAS470M25
C1801-C1804	CEZA100M50
C1805, C1806	CEZA2R2M50
C1833, C1834	CKSQYB332K50
C1809, C1810	CKSQYF104Z50
C1831, C1832	CKSQYF473Z50

RESISTORS

VR1801	RCX1052
Other Resistors	RS1/10S□□□J

Mark	No.	Description	Part No.
		DECK ASSY	

SEMICONDUCTORS

IC4202	BU4066BCF
IC4421	CXA1101P
IC4901	M66320FP
IC4101	UPC4570G2
IC4102, IC4301	XRA4558F-P
Q4101, Q4102, Q4203-Q4206	2PD601A
Q4301, Q4302, Q4305, Q4306, Q4355	2PD601A
Q4451-Q4454	2PD601A
Q4113, Q4352	2SA1515
Q4356	2SC2240
Q4401, Q4402	2SC3327
Q4111, Q4161, Q4353, Q4354	2SC3377
Q4307, Q4308	2SK373
Q4112, Q4116, Q4117, Q4162, Q4303	DTA124EK
Q4403	DTA124EK
Q4208	DTA143EK
Q4114, Q4155, Q4357	DTC124EK
Q4207, Q4531	DTC143EK
D4301, D4302	1SS226
D4111, D4113-D4115, D4161	1SS254
D4201, D4202, D4305, D4306	1SS254
D4451-D4453, D4901-D4906	1SS254
D4908, D4909	1SS254

COILS AND FILTERS

L4201, L4202, L4301, L4302	LTA392J
L4303, L4304	LTA822J
F4401, F4402	RTF1209

TRANSFORMER

T4351	ATX-043
-------	---------

CAPACITORS

C4361	(2000pF/630V)	ACE1020
C4319, C4320		CCCSL271K500
C4323, C4324		CCSQCH100D50
C4902, C4904		CCSQCH101J50
C4905		CCSQCH330J50
C4113		CCSQCH560J50
C4112, C4303, C4304, C4403, C4404		CEAS010M50
C4451, C4452		CEAS010M50
C4454		CEAS100M25
C4359, C4360, C4364, C4405, C4407		CEAS100M50
C4401, C4408		CEAS101M16
C4365, C4366, C4453		CEAS220M16
C4107, C4108		CEAS221M10
C4903		CEAS221M6R3
C4301, C4302, C4315, C4316		CEAS2R2M50
C4103, C4104, C4309, C4310		CEAS330M16
C4317, C4318		CEAS330M16
C4357		CEAS3R3M50
C4116		CEAS470M10
C4351		CEAS470M16
C4207, C4208		CEAS4R7M50
C4402, C4406		CEASR68M50
C4363		CKCYB222K500
C4117		CKSQYB103K50
C4313, C4314		CKSQYB122K50

Mark	No.	Description	Part No.
	C4353		CKSQYB221K50
	C4305, C4306		CKSQYB273K50
	C4307, C4308		CKSQYB333K50
	C4101, C4102		CKSQYB471K50
	C4151, C4152, C4209, C4210		CKSQYB561K50
	C4321, C4322, C4355		CKSQYB681K50
	C4109, C4110		CKSQYB821K50
	C4352, C4354		CKSQYF103Z50
	C4114		CKSQYF104Z50
	C4111, C4901		CKSQYF473Z50
	C4455, C4456		CQMA103J50
	C4358		CQMA123K250
	C4356		CQMA153J50
	C4362		CQMA562K400
	C4105, C4106		CQMA682J50
	C4311, C4312		CQMA823J50

RESISTORS

R4353		RD1/2PM820J
R4401, R4402		RD1/6PM102J
R4906, R4907		RD1/6PM301J
R4357		RD1/6PM6R8J
VR4201-VR4204	(22kΩ)	RCP1103
VR4111	(3.3kΩ)	RCP1138
VR4301, VR4302	(4.7kΩ)	RCP1139
VR4351, VR4352	(220kΩ)	RCP1142
Other Resistors		RS1/10S□□□J

OTHERS

	9P CABLE HOLDER	51063-0905
	14P CABLE HOLDER	51063-1405
	15P CABLE HOLDER	51063-1505
CN4006, CN4007	KR CONNECTOR	B2B-PH-K-S
CN4003	3P TOP POST	B3B-EH-R
CN4002	5P TOP POST	B5B-EH
CN4004	15P JUMPER CONNECTOR	KPE15

TRANS ASSY

OTHERS

CN1751	16P CABLE HOLDER	51052-1600
H1751-H1754	12P JUMPER CONNECTOR	KPE12
	FUSE HOLDER	VKR1001

PRIMARY ASSY

COIL

△	L1771	ATF-151
---	-------	---------

CAPACITOR

△	C1771	(0.01 μF/400V)	RCG-009
---	-------	----------------	---------

RESISTOR

△	R1771	(2.2MΩ, 1/2W)	ACN-208
---	-------	---------------	---------

OTHERS

H1771, H1772	FUSE HOLDER	VKR1001
--------------	-------------	---------

Mark	No.	Description	Part No.
U.COM ASSY			
SEMICONDUCTORS			
	IC1302		M66311FP
	IC1301		PDG149A
	Q1301, Q1309		2PD601A
	Q1308		DTA143EK
	Q1302-Q1304		DTC143EK
	D1301-D1304, D1306-D1311, D1318		1SS254
	D1341, D1342, D1344, D1346		1SS254
	D1348-D1350		1SS254
	D1337		AEL1065
	D1336		MTZJ6. 2B
	D1328-D1335		SEL2415ETP2
	D1320-D1327, D1338		SEL2815ATP2
COIL			
	L1301		LAU220J
SWITCHES			
	S1301-S1311, S1313-S1326		RSG1034
CAPACITORS			
	C1306		ACH1246
	C1313		CCDCH101J50
	C1301, C1305		CCSQCH101J50
	C1303, C1304		CEJA010M50
	C1309		CEJA100M50
	C1308		CEJA221M6R3
	C1316		CEJA330M50
	C1314, C1315		CEJA331M6R3
	C1302		CEJA470M16
	C1310		CKSQYF104Z50
	C1307		CKSQYF473Z50
RESISTORS			
	R1366		RA15T104J
	R1409		RD1/6PM104J
	Other Resistors		RS1/10S□□□J
OTHERS			
	15P CABLE HOLDER	51063-1505	
CN1302	14P FFC CONNECTOR	9604S-14C	
CN1301	34P FFC CONNECTOR	9604S-34C	
X1302	CERAMIC RESONATOR	EFOEC1005T4	
	REMOTE RECEIVER UNIT	GP1U27X	
V1301	FL TUBE	RAW1138	
H.P. ASSY			
CAPACITORS			
	C1701, C1702		CKSQYF103Z50
RESISTORS			
△	R1701, R1702		RS2LMF331J
OTHERS			
	6P CABLE HOLDER	51052-0600	
CN1701	MINI JACK	AKN1028	

Mark No.	Description	Part No.
LD-FRONT ASSY		
SEMICONDUCTOR		
IC2101		UPC4570G2
SWITCH		
S2103		RSG1034
CAPACITORS		
C2102		CCSQCH330J50
C2131		CCSQCH470J50
C2132		CCSQSL471J50
C2103		CEAS101M10
C2130		CKSQYB331K50
C2133, C2134		CKSQYF223Z50
RESISTORS		
VR2102		ACS1101
Other Resistors		RS1/10S□□□J
OTHERS		
	8P CABLE HOLDER	51063-0805
	13P CABLE HOLDER	51063-1305
CN2103	14P FFC CONNECTOR	9604S-14C
CN2101	8P PLUG	KM2001A8
SPDR UNIT		
SEMICONDUCTORS		
△ IC3, IC4, IC7		ICP-N15
△ IC6		ICP-N20
IC2		NJM4558D
Q22, Q23, Q5		2SA933S
△ Q2, Q25, Q27		2SB1566
Q21, Q24, Q4		2SC1740S
△ Q26, Q28, Q3		2SD2395
Q8		DTC124ES
△ D23, D26		10ELS2
△ D24, D25		11ES2
△ D1		S2VB20
COIL		
△ L1		RTL1001
CAPACITORS		
C29		CEAS101M50
C25, C26		CEAS2R2M50
C4-C6		CEAS470M10
C27, C28		CGCYX223K25
C23, C24		CGCYX223M25
C18, C19		CKCYF103Z50
C11, C12		CKPUYF103Z25
△ C1, C2 (6800pF/16V)		VCH1060
RESISTORS		
△ R27-R30 (47Ω)		DCN1003
△ R23-R26		RD1/2VM221J
R34		RS1LMFR33J
Other Resistors		RD1/6PM□□□J

Mark No.	Description	Part No.
OTHERS		
	12P CABLE HOLDER	51063-1205
CN3	19P FFC CONNECTOR	9604S-19C
CN2	KR CONNECTOR	B2B-PH-K-S
J6	2mm PITCH JUMPER WIRE 3P	D20PWW0305E
△ FU3, FU4	FUSE(150°C/2A)	REK1074
	PCB BINDER	VEF1040
KN1	EARTH METAL FITTING	VNF1084
MIC ASSY		
SEMICONDUCTOR		
IC1601		UPC4570G2
CAPACITORS		
C1610		CEAS010M50
C1606		CEAS4R7M50
C1608		CKSQYB182K50
C1602		CKSQYB222K50
C1604, C1611-C1613		CKSQYF104Z50
RESISTORS		
All Resistors		RS1/10S□□□J
OTHERS		
HJ1602	PHONE JACK(MIC)	AKN1019
CN1601	8P SOCKET	KP2001A8L
FTAU UNIT		
SEMICONDUCTORS		
IC202, IC903, IC905		BA4560F
IC351		CA0002AM
IC802		LC78681KE
IC801		PAC002A
IC901		PAC003A
IC902		TA8410AK
IC201		TC9276P
Q916		2PB709A
Q201, Q202, Q805, Q840		2PD601A
Q903, Q904, Q907-Q909, Q915		2PD601A
Q917		2PD601A
Q914		2SA1037K
Q834		2SA854S
Q912		2SC2412K
Q152, Q803		2SC3802K
Q204, Q205		2SD2144S
Q208-Q210		UN2112
Q207, Q901, Q910		UN2212
D180, D801, D901, D902, D905		1SS254
D963		1SS254
D201		KV1851
COILS		
L206, L207, L351, L802-L804		LAU181J
L202, L205, L352		LAU220J
L805		LAU2R2J

Mark No.	Description	Part No.
CAPACITORS		
C809, C811		CCSQCH070D50
C159, C311		CCSQCH100D50
C370, C810, C846, C848, C891		CCSQCH101J50
C944		CCSQCH101J50
C161, C232, C353, C812		CCSQCH151J50
C352		CCSQCH180J50
C813, C950		CCSQCH220J50
C162, C935		CCSQCH221J50
C371, C931		CCSQCH270J50
C354		CCSQCH330J50
C220, C351		CCSQCH390J50
C260-C263		CCSQCH470J50
C258, C259, C375, C806		CCSQCH680J50
C374, C814		CCSQCH820J50
C871		CEANP100M16
C972		CEANP220M10
C838		CEANP470M6R3
C227, C281, C904		CEAS010M50
C274, C275, C367, C917		CEAS100M50
C364		CEAS101M10
C252, C253		CEAS101M6R3
C922, C987		CEAS220M25
C845, C902, C926		CEAS2R2M50
C255		CEAS331M6R3
C270, C271, C363, C369, C801		CEAS470M10
C803, C833, C836, C842, C844		CEAS470M10
C893, C927, C933, C974, C975		CEAS470M10
C850, C870		CEAS4R7M50
C368, C913, C943		CEASR47M50
C967, C968		CEHAQ220M16
C907, C914, C936		CKSQYB102K50
C213, C235-C237, C251, C256		CKSQYB332K50
C278, C282, C919		CKSQYB332K50
C361, C362		CKSQYB392K50
C355-C358, C377, C909		CKSQYB472K50
C105, C214, C231, C234, C286		CKSQYF103Z50
C372, C373, C376, C802, C804		CKSQYF103Z50
C807, C831, C832, C834, C835		CKSQYF103Z50
C843, C872, C892, C894, C897		CKSQYF103Z50
C918, C928, C929, C932		CKSQYF103Z50
C937-C939, C941, C961, C962		CKSQYF103Z50
C964, C971, C982		CKSQYF103Z50
C151, C365, C366, C840, C841		CKSQYF104Z25
C847, C910-C912, C915, C940		CKSQYF104Z25
C981, C983		CKSQYF104Z25
C837, C921, C930		CKSQYF223Z50
C359, C360, C905, C951, C999		CKSQYF224Z25
C254, C305, C387, C808, C815		CKSQYF473Z25
C924, C925		CKSQYF473Z25
C942		CQMA103J50
C920		CQMA104J50
C908		CQMA154J50
C903		CQMA222J50
C934		CQMA681J50
C923		CQMA683J50

Mark No.	Description	Part No.
RESISTORS		
R831, R832		RD1/6PM1R8J
R987, R989		RN1/10SE103D
R986, R990		RN1/10SE333D
VR612	(47kΩ)	RCP1047
VR604, VR607	(47kΩ)	RCP1104
VR603	(4.7kΩ)	RCP1139
Other Resistors		RS1/10S□□□J

OTHERS

	12P CABLE HOLDER	51063-1205
	14P CABLE HOLDER	51063-1405
CN103	23P FFC CONNECTOR	52233-2310
CN13	19P FFC CONNECTOR	9604S-19C
CN15	26P FFC CONNECTOR	9604S-26C
CN106	11PIN SIDE POST	BS11P-SHF-1AA
CN14	13P JUMPER CONNECTOR	KPE13
KN801	EARTH METAL FITTING	VNF1084
X201	CRYSTAL RESONATOR (16MHz)	VSS1049

VIMC UNIT

SEMICONDUCTORS

IC803	LA6510L
IC400	PAC005B
IC500	PD0192A
IC101	PD0196C
IC603	PD9004A
IC501	TC7S04F
Q102, Q501	2PB709A
Q411, Q451, Q475, Q611-Q613	2PD601A
Q103	UN2212
D110	MTZJ5.1B

COILS AND FILTER

L413	LAU100J
L410	LAU101J
L412, L461, L470	LAU220J
L411, L571, L590, L591	LAU270J
L420, L421, L580	LAU430J
L462	LAU560J
L414	LAU8R2J
L460	LFA561J
F501	VTF1055

CAPACITORS

C540	CCSQCH030C50
C562	CCSQCH050C50
C436, C617	CCSQCH070D50
C420, C421, C438, C466, C583	CCSQCH100D50
C620	CCSQCH100D50
C393, C398	CCSQCH101J50
C437, C474	CCSQCH120J50
C416	CCSQCH121J50
C415, C418, C434, C475, C594	CCSQCH150J50
C552, C618	CCSQCH180J50

**CL - J35LD, CL - J55LD,
CL - J75LD**

Mark	No.	Description	Part No.
	C579		CCSQCH220J50
	C417, C591		CCSQCH221J50
	C419, C433, C467		CCSQCH270J50
	C106, C107, C435, C452, C553		CCSQCH330J50
	C563-C566, C580		CCSQCH330J50
	C425, C476, C598		CCSQCH390J50
	C464, C468, C596		CCSQCH470J50
	C561		CCSQCH680J50
	C460, C462		CCSQCH910J50
	C450		CEANP470M6R3
	C439		CEAS100M50
	C491		CEAS101M10
	C424		CEAS101M6R3
	C878, C879		CEAS330M16
	C101, C412, C493, C530, C534		CEAS470M10
	C550, C572, C588, C611, C613		CEAS470M10
	C490		CKSQYB102K50
	C110, C160, C196-C198, C413		CKSQYF103Z50
	C451, C454, C485, C531-C533		CKSQYF103Z50
	C539, C570, C571, C577, C578		CKSQYF103Z50
	C581, C589, C612, C614, C641		CKSQYF103Z50
	C876, C888		CKSQYF103Z50
	C102, C103, C411, C422, C423		CKSQYF104Z25
	C453, C457, C458, C492, C494		CKSQYF104Z25
	C551, C574, C582, C587, C592		CKSQYF104Z25
	C873, C874		CKSQYF104Z25
	C465, C875, C877		CKSQYF473Z25
	C479		CQMA124J50
	C483		CQMA154J50
	VC901 (20p)		VCM-008

RESISTORS

R521		RD1/6PM100J
R420		RD1/6PM470J
R490		RN1/10SE103D
VR450 (2.2kΩ)		RCP1019
Other Resistors		RS1/10S□□□J

OTHERS

	10P CABLE HOLDER	51063-1005
	12P CABLE HOLDER	51063-1205
CN101	10P FFC CONNECTOR	9604S-10C
CN25	26P FFC CONNECTOR	9604S-26C
JA16	1P PIN JACK	RKB1038
KN101, KN601	EARTH METAL FITTING	VNF1084
X101	CERAMIC RESONATOR	VSS1040
X550	CRYSTAL RESONATOR	VSS1073

FM/AM TUNER MODULE

SEMICONDUCTORS

IC6201	LA1836M
IC6202	LM7001J
Q6102	2SC2223
Q6203	2SC2235
Q6202	2SC2712

Mark	No.	Description	Part No.
	Q6103, Q6214		2SC2714
	Q6201		2SK208
	Q6104		2SK302
	Q6101		3SK194
	Q6204		XDA124EK
	Q6217		XDC124EK
	D6101, D6102		1T33

COILS AND FILTERS

L6104	ATC1003
L6101	ATC1020
L6102	ATC1021
T6101	ATE-063
L6207	ATE1013
F6203, F6204	ATF-119
F6101	ATF-155
F6202	ATF1155
L6103	ATH1043
L6202, L6203, L6208	LCTA2R2J3225

CAPACITORS

C6202, C6234, C6236 (1μF)	ACG1051
C6107	CCSCH010C50
C6229	CCSCH821J50
C6110	CCSQCH020C50
C6101	CCSQCH050C50
C6108, C6203, C6268	CCSQCH101J50
C6111, C6116, C6208, C6221, C6222	CCSQCH150J50
C6115	CCSQCH330J50
C6114	CCSQRH080D50
C6113	CCSQRH180J50
C6105	CCSQTH150J50
C6261	CEAS010M50
C6224, C6246, C6262	CEAS100M50
C6216, C6217	CEAS330M16
C6231, C6233	CEAS3R3M50
C6219	CEAS470M10
C6243-C6245	CEAS470M16
C6227	CEAS470M25
C6238	CEJA100M16
C6249, C6250	CEJA4R7M35
C6215	CFTXA103J50
C6214	CFTXA224J50
C6103, C6106, C6112, C6204	CKSQYB102K50
C6102, C6109, C6117, C6210, C6264	CKSQYB103K50
C6213	CKSQYB223K50
C6230	CKSQYB333K50
C6228, C6252	CKSQYB472K50
C6209, C6237, C6265, C6267	CKSQYB473K50
C6212, C6218	CKSQYF103Z50
C6220, C6226, C6239, C6242, C6255	CKSQYF223Z50
C6235	CKSQYF224Z25
C6225, C6241, C6266	CKSQYF473Z50
C6232	CKSYB333K50
C6251	CKSYB472K50
C6223	CKSYF103Z50
C6263	CKSYF473Z50

Mark	No.	Description	Part No.
RESISTORS			
	R6299, R6300		RD1/8PM102J
	R6113, R6116, R6118, R6268-R6271		RS1/8S000J
	R6275, R6276, R6278, R6283, R6284		RS1/8S000J
	R6290, R6293, R6294, R6297		RS1/8S000J
	R6243, R6244		RS1/8S101J
	R6211		RS1/8S103J
	R6237		RS1/8S182J
	R6209		RS1/8S221J
	R6239		RS1/8S332J
	R6101		RS1/8S470J
	VR6201 (10k Ω)		ACP1056
	VR6202		VRTB6VS223
	Other Resistors		RS1/10S□□□J

OTHERS

BN6201	4P ANTENNA TERMINAL	AKA1016
X6203	CRYSTAL RESONATOR	ASS1042
X6201	CERAMIC RESONATOR	ASS1066
X6202	CERAMIC RESONATOR	ATF1027
	AM RF TUNING BLOCK	AXX1041

FRONT 50W ASSY

SEMICONDUCTORS

IC7501	UPC4570G2
Q7507, Q7508	2SA1182
Q7601	2SA1255
Q7517, Q7518	2SB1115
Q7501, Q7502	2SC2240
Q7505, Q7506	2SC2859
Q7602, Q7603	2SC3138
Q7515, Q7516	2SD1615
D7505, D7506, D7517, D7518	1SS181
D7503, D7504, D7516	1SS184
D7535-D7538	1SS226
D7521-D7524	1SS244
D7519, D7520, D7525, D7526, D7531	HSS104-02
D7533	HSS104-02
D7507-D7510	RD3. 3ESB2

CAPACITORS

C7519-C7522, C7545-C7552	CCSQCH101J50
C7525-C7528	CCSQCH271J50
C7503, C7504	CCSQCH331J50
C7541, C7542	CCSQCH470J50
C7523, C7524	CEALR10M50
C7509, C7510	CEAS101M10
C7602	CEJA221M6R3
C7540	CEJA3R3M50
C7539	CEJA4R7M50
C7699	CKSQYB104K25
C7529-C7532	CKSQYB333K50
C7543, C7544	CKSQYB472K50
C7601, C7603	CKSQYF104Z50
C7537	CKSQYF473Z50

Mark	No.	Description	Part No.
RESISTORS			
	R7519, R7520		ACN1106
	R7515, R7516		ACN1107
△	R7541, R7542		RD1/4PMF100J
△	R7547-R7550		RS1/10S2200F
	R7753		RS1/8S000J
△	R7537-R7540		RS1/8S100J
	R7553		RS1/8S101J
△	R7543, R7544		RS1/8S7R5J
	Other Resistors		RS1/10S□□□J

REGULATOR ASSY

SEMICONDUCTORS

IC7201	PAC006B
Q7301, Q7302	2SC1815
Q7202	2SC2712
D7204	1SS184
D7205, D7208	HSS104-02
D7210	RB441Q-40
D7206, D7211	RD4. 7ESB
D7207	RD5. 6ESB2

CAPACITORS

C7402, C7406, C7408	(0.082 μ F)	ACG1050
C7204	(1 μ F/16V)	ACG1051
C7401, C7405, C7407	(0.33 μ F)	ACG1053
C7409	(10 μ F/35V)	ACH1150
C7202	(4.7 μ F/35V)	ACH7008
C7203	(0.33 μ F/50V)	ACH7009
C7140		CEAS010M50
C7205		CEJA101M10
C7201, C7208, C7219		CKSQYB103K50
C7301		CKSQYB332K50
C7206, C7215, C7216, C7404, C7698		CKSQYF104Z50

RESISTORS

VR7201	(22k Ω)	RCP1103
△ R7403-R7405	(1 Ω)	ACN1104
R7252		RD1/6PM102J
R7253		RD1/6PM103J
R7303		RS1/10S1002F
R7304		RS1/10S8200F
Other Resistors		RS1/10S□□□J

OTHERS

CN7101	12P JUMPER CONNECTOR	KPE12
--------	----------------------	-------

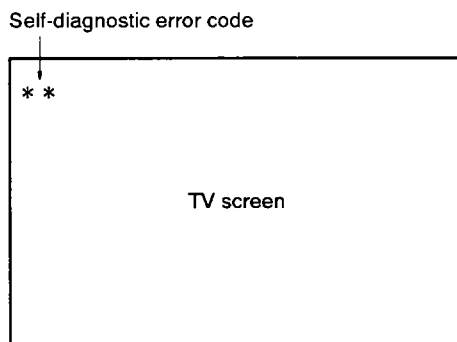
Mark No.	Description	Part No.
LMSB ASSY		
SWITCHES		
S101-S103		DSG1017
OTHERS		
CN101	10P FFC CONNECTOR	52044-1045
PKSB ASSY		
SWITCHES		
S104, S105		DSG1017
FG ASSY		
SEMICONDUCTOR		
D101		GP1S24
HEAD ASSY		
SEMICONDUCTOR		
Q101		2SC4081
CAPACITORS		
C101		CKSQYF473Z25
C102		CKSQYF105Z16
RESISTORS		
VR101		VCP1069
Other resistors		RS1/10S□□□J
OTHERS		
CN101	CONNECTOR TAPE	SFW23R-1ST Z11-121

6. SELF-DIAGNOSTIC FUNCTIONS

6.1 SELF-DIAGNOSTIC FUNCTIONS

The self-diagnostic functions automatically display an error code on the TV screen and front panel fluorescent display section when there is an error. The customer checks the error code and conveys it to the service personnel to make repairs more efficient.

After an error occurs, even if the error code goes off, you can display the error code again by holding down the **CLEAR** key for 10 seconds (except a loading error **L *** display). However, if the power cord is unplugged, the error code information is lost.



This table explains the information for analyzing the cause when an error occurs with the CLD player.

Self-diagnostic error code	Contents	Conditions	Probable cause
H0	Spindle overcurrent detection error.	In the play state, overcurrent was detected in the spindle motor. Monitoring starts 5 seconds after the start of play or special playback mode, this error is detected if the overcurrent port is "L" for 4 seconds.	<ul style="list-style-type: none"> • Motor NG • Clamper rubbing
U0	FG abnormality error	<ol style="list-style-type: none"> ① At LD start-up, the rate of rotation calculated from the FG was less than 15 rpm for 5 consecutive seconds from the spindle run command. ② At CD start-up, there was less than 1/8th rotation even after 5 seconds had passed since the end of acceleration. ③ During play search, CD : subcodes are being read/LD : Phillips codes are being read and the spindle is locked, but a state in which the rate of rotation calculated from the FG was less than 15 rpm continued for 5 seconds or more. In the above case, it is judged that an abnormality has occurred in the FG sensor and that accurate rotation rate calculation has become impossible. 	<ul style="list-style-type: none"> • FG sensor abnormality, FG signal not coming to mechanism controller • FG sensor clogged • Rubbing between FG sensor and slit • Turntable dropped • FG slit deposition NG
H1	Partial short error	<ol style="list-style-type: none"> ① At LD start-up, the speed did not reach 1200 rpm within a certain time (12 seconds) after the spindle run command. ② At CD start-up, a certain speed (313 rpm) was not reached within 6 seconds from the end of spindle acceleration. 	<ul style="list-style-type: none"> • Spindle motor NG • Commutator NG • Bearing too tight • Power supply NG
H2	Power supply abnormality error	<p>– 5V power supply abnormality detected.</p> <p>The power supply abnormality port is constantly monitored and if its signal stays high for about 1 second consecutively, the power supply is judged to be abnormal.</p>	<ul style="list-style-type: none"> • – 5V not fed from SPDR unit • Parts shorted
L *	Loading error	<ol style="list-style-type: none"> ① When loading operation goes over time (approx. 10 sec.). ② When assist at disc sense entry ends and is not tilt neutral. ③ When assist at set up entry ends and is not tilt neutral. 	<ul style="list-style-type: none"> • Tilt switch 1, 2, 3 abnormal, so tilt/loading state not read in correctly • Tilt/loading mechanism mechanically locked • Drive IC NG • Power supply NG

Self-diagnostic error code	Contents	Conditions	Probable cause
E *	Slider error	During slider movement, a time over run occurred (track count search 20 seconds, mandatory movement 10 seconds)	<ul style="list-style-type: none"> •Slider ceased being able to run •The slider mechanism is mechanically locked and can no longer move to its target. •Slider position switch NG •Flexible cable pulled out •Drive IC NG •Power supply abnormal
U1	Mis clamp error	<ol style="list-style-type: none"> ① During LD setup, after 1/8th rotation, the track count during 1/8 rotation exceeded 511. ② During start-up, the focus was lost once and refocusing was attempted, but the focus could not be locked. ③ When the spindle motor rotation is stopped once before CDV A ↔ V area change, but stop is not carried out within 2.0 seconds, it is determined that there are two discs on each other and clamp error is set. ④ Two FG pulses did not come within 800 ms from the start of LD start-up. ⑤ During CD start-up, it took more than 860 ms to reach 416 rpm (CD+LD both mounted detected). ⑥ The disc clamp operation did not end within 5 seconds. 	<ul style="list-style-type: none"> •Disc sandwiched •Disc shifted •Spindle motor NG •Disc scratched or dirty defocused during start-up •Two discs loaded •PU actuator NG •Tilt sensor NG •Tilt neutral NG (tilt base NG)
P *	Spindle error	<ol style="list-style-type: none"> ① During TOC reading with an LD, the spindle servo was not locked within 60 seconds from the start of the spindle run. ② When CAV/CLV determination is not finished within 60 seconds from spindle servo lock. ③ The codes could not be read for 10 – 15 seconds consecutively for an LD or 7 – 10 seconds for a CD/CDV and the spindle servo was not locked. ④ The speed exceeded 2100 rpm during LD start-up. 	<p>P0:•PH code, SUB-Q code can not be read</p> <ul style="list-style-type: none"> •VCO, PLL offset out of adjustment •Disc defect <p>P5:•PAL disc, mirror disc, etc. PLAY</p> <ul style="list-style-type: none"> •No RF <p>P6:•Spindle servo does not lock</p> <ul style="list-style-type: none"> •Spindle motor NG
F *	Focus error	<ol style="list-style-type: none"> ① "In the "no disc" state, a setup command was received from the mode controller. ② When LD is out of focus when slider is moved to starting position during set up. In case of CD/CDV is NG even after three focus tries. ③ During start-up, the maximum slider servo duty continued for 3 loops or more. 	<p>F5:•CD, LD on top of each other</p> <ul style="list-style-type: none"> •LD scratched or dirty defocused during slider movement •DISC NG •Slider position switch NG <p>F6:•Inner edge of disc scratched or dirty</p> <ul style="list-style-type: none"> •Slider ran into inner edge mechanical stopper

※ Besides the above errors, there is the "U2" communications error (the mode controller could not communicate normally with the mechanism controller).

※ The probable cause is a defective mechanism controller, disconnected cable, etc..

Mechanism mode contents (meanig of * for L * etc.)

0 : Play	5 : Setup (rotation start)
1 : Open	6 : TOC read
2 : Standby	7 : Play
3 : Clamp	8 : Search
4 : Disc sense	

※ 0 : Normal playing
7 : Moving to play operation

Note:

- When checking the player to the horizontally during playing the disc, be careful not to damage the disc and the pickup because of disc is rolled.

7. ADJUSTMENTS

7.1 FM/AM TUNER MODULE SECTION

1. FM TUNER SECTION

- Set the mode selector to FM BAND.
- Connect the wiring as shown in Fig. 7- 1
- For AXQ1012 (KU, SD, SD/HO and SL types) and AXQ1013 (HE, HE/FR and HB types)

Step No.	Adjustment title	FM SG (1kHz, \pm 75kHz dev.)		Reception Frequency Display	Adjustment Location	Specifications
		Frequency (MHz)	Level (dB μ V)			
1	Center Adjustment	98 Non modulation	80 or more	98MHz	L6207	Adjust so that the DC voltage between Pin 4 and Pin 28 of IC6201 (or + leads of C6224 and C6261) becomes $0V \pm 50mV$.
2	Front End Sensitivity	98	0-30	98MHz	L6102 T6101	Adjust so that the DC voltage between the Pin 12 of IC6201 and GND (or + leads of C6238 and GND) becomes at maximum level.
3	Stereo Distortion	98	80	98MHz	T6101	Minimize the distortion with 1/8 rotation of the core.
4	TUNED IND. Lighting Level	98	15 ± 2	98MHz	VR6201	Adjust so that the indicator of TUNED IND. starts to light up.

Note :

- Before adjusting, make sure there is no gap between L6101 and L6102. If there is a gap between them, bring them into contact with each other first, and then make adjustments.
- Make indicator adjustments in order of AM \rightarrow FM.

• For AXQ1016 (S/DF type)

Step No.	Adjustment title	FM SG (1kHz, \pm 75kHz dev.)		Reception Frequency Display	Adjustment Location	Specifications
		Frequency (MHz)	Level (dB μ V)			
1	Center Adjustment	83 Non modulation	80 or more	83MHz	L109	Adjust so that the DC voltage between Pin 4 and Pin 28 of IC6101 becomes $0V \pm 50mV$. (Both ends of R6141)
2	Front End Sensitivity	83	0-30	83MHz	L6104 L6102 T6101	Adjust so that the DC voltage of the Pin 12 of IC6101 (S-meter) becomes at maximum level.
3	TUNED IND. Lighting Level	83	15 ± 2	83MHz	VR6101	Adjust so that the indicator of TUNED IND. starts to light up.

Note :

- Before adjusting, make sure there is no gap between L6101 and L6102 and between L6103 and L6104. If there is a gap between them, bring them into contact with each other first, and then make adjustments.
- Make indicator adjustments in order of AM \rightarrow FM.

• For AXQ1014 (HEZI/DI type)

Step No.	Adjustment title	FM SG (1kHz, ± 75 kHz dev.)		Reception Frequency Display	Adjustment Location	Specifications
		Frequency (MHz)	Level (dB μ V)			
1	Center Adjustment	98 Non modulation	80 or more	98MHz	L6207	Adjust so that the DC voltage between Pin 4 and Pin 28 of IC6201 (or + leads of C6224 and C6261) becomes $0V \pm 50mV$.
2	Front End Sensitivity	106	0-30	106MHz	L6104 L6105 L6102 T6101	After adjusting L6104 and L6105 so that the DC voltage between Pin 12 of IC6201 and GND (or + leads of C6238 and GND) becomes at maximum level, adjust T6101 and L6102.
3	Stereo Distortion	98	80	98MHz	T6101	Minimize the distortion with 1/8 rotation of the core.
4	TUNED IND. Lighting Level	98	15 ± 2	98MHz	VR6201	Adjust so that the indicator of TUNED IND. starts to light up.

Note :

- Before adjusting, make sure there is no gap between L6101 and L6102 and between L6103 and L6104. If there is a gap between them, bring them into contact with each other first, and then make adjustments.
- Make indicator adjustments in order of AM \rightarrow FM.
- Adjustment sequence : L6104 \rightarrow L6105 \rightarrow L6102 \rightarrow T6101

2. AM TUNER SECTION

- Set the mode selector to AM BAND.
- Connect the wiring as shown in Fig. 7 - 1

• For AXQ1012 (KU, SD, SD/HO and SL types) and AXQ1013 (HE, HE/FR and HB types) and AXQ1014 (HEZI/DI type)

Step No.	Adjustment title	AM SG (400Hz, 30% Mod.)		Reception Frequency Display	Adjustment Location	Specifications
		Frequency (kHz)	Level (dB μ V/m)			
1	TUNED IND. Lighting Level	* 1 999	47 ± 2	* 1 999kHz	VR6202	Adjust so that the indicator of TUNED IND. starts to light up.

Note :

- When AXQ1012 is used, set the AM frequency step to 10kHz.
* 1 : For the area using 10kHz step, frequencies should be 1000kHz.

• For AXQ1016 (S/DF type)

Step No.	Adjustment title	AM SG (400Hz, 30% Mod.)		Reception Frequency Display	Adjustment Location	Specifications
		Frequency (kHz)	Level (dB μ V/m)			
1	TUNED IND. Lighting Level	999	47 ± 2	999kHz	VR6102	Adjust so that the indicator of TUNED IND. starts to light up.

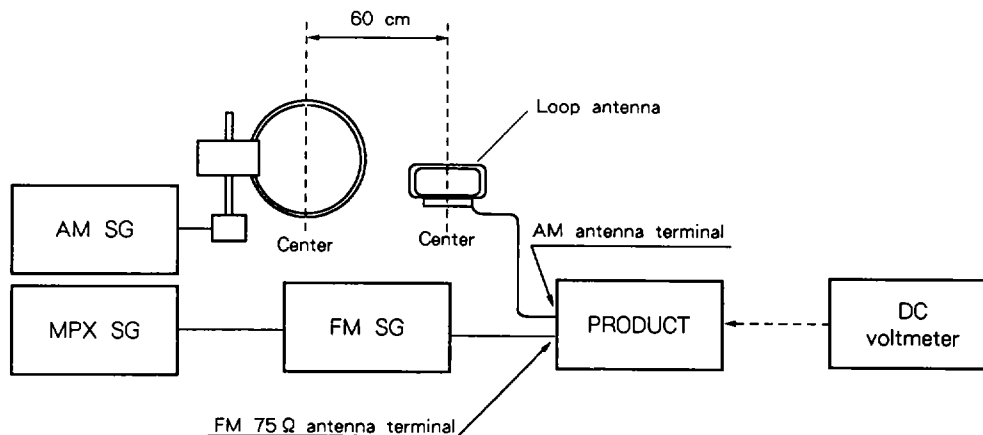
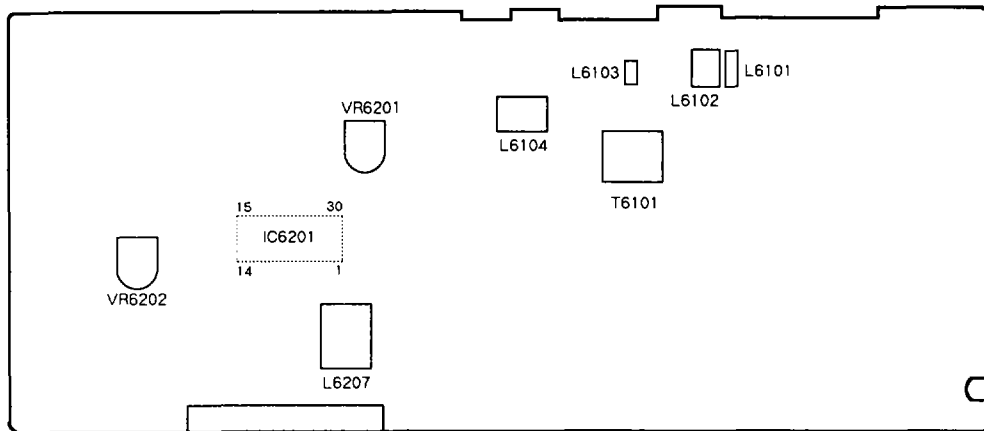
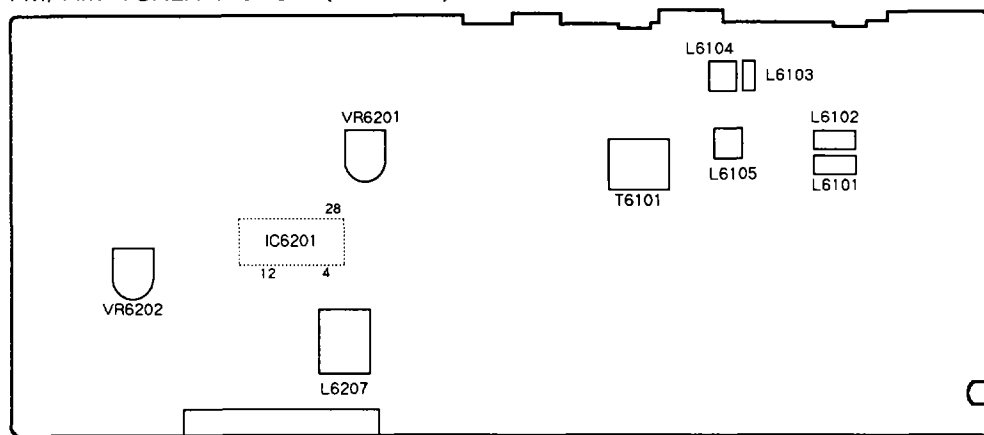


Fig. 7-1 AM and FM adjustment wiring diagram

FM/AM TUNER MODULE (AXQ1012 and AXQ1013)



FM/AM TUNER MODULE (AXQ1014)



FM/AM TUNER MODULE (AXQ1016)

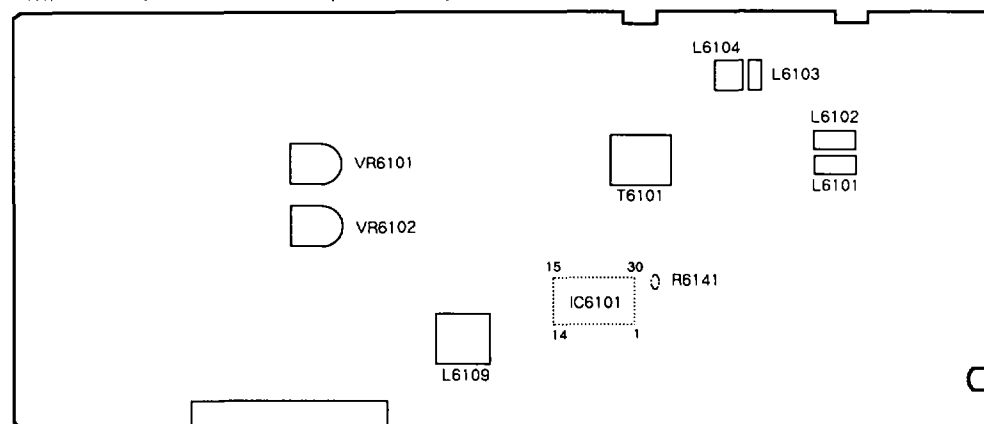


Fig. 7-2 Adjustment Point

7.2 POWER AMP. MODULE SECTION

1. Handling Precautions

- Since the heat sink and transistor metallic parts are connected to the Front Amp. output, make sure they do not contact the GND (chassis) or other circuits.
- Since there is residual high voltage in the \pm B1 in the FRONT 50W assy and \pm B2 in the REGULATOR assy (or REAR REGULATOR assy) even when the power is OFF, caution should be exercised. (If necessary, the voltage should be discharged).
- When handling the Power Amp. Module, make sure you do not touch the fan motor blade.

■ Front Amp. side(FRONT 50W assy)

Note : Step 1 is CL - J75LD only.

Step	Measurement	Item	Remarks
1	L ch side	Short both sides of C7144 and C7145 on the Rear Amp. side. (Refer to Fig. 7-6)	Do not operate the Rear Amp. side.
2		Insert a resistor (0.22 Ω , 3W or more) in series in the connector CN7502 + B1 (or - B1) line (terminal No. 5 or 6). (Refer to Fig. 7-4.)	For measuring voltage at both sides of resistor.
3		Short both sides of C7524.	Do not operate R ch side.
4		Turn the power ON, wait 6 seconds, and then measure the resistance voltage in Step 2.	L ch Idle current $I=V/0.22$
5	R ch side	<ul style="list-style-type: none"> ● Same as Steps 1 and 2 above. ● Short both sides of C7523. 	Do not operate L ch side.
6		Turn the power ON under the above conditions, and after 6 seconds measure the resistance voltage in Step 2.	
7	-	If the measured idle current is greater than 100mA, perform the following procedure.	
8	L ch side	Short between the Point ㉔ pattern in Fig. 7-6 using solder.	Connect R7517 to R7515 in a parallel circuit.
9	R ch side	Short between the Point ㉕ pattern in Fig. 7-6 using solder.	Connect R7518 to R7516 in a parallel circuit.
10	-	After performing Step 8 and 9, remeasure the idle current and confirm that it is below 100mA.	
11	-	If the idle current is below 3mA, perform the following procedure.	
12	L ch side	Short between the point ㉖ pattern in Fig. 7-6 using solder.	Connect R7551 to R7519 in a parallel circuit.
13	R ch side	Short between the point ㉗ pattern in Fig. 7-6 using solder.	Connect R7552 to R7520 in a parallel circuit.
14	-	After performing steps 12 and 13, remeasure the idle current and confirm that it is greater than 3mA (within 3-100mA).	

2. Adjustment and Confirmation of Idle Current

- Basically, the idle current needs to be confirmed when replacing a power transistor, driver transistor, or bias transistor, or when the entire split board assy of the Power Amp. Module has been replaced.
- Make sure the heat sink has cooled sufficiently before measuring the idle current. (Temperature should be the same as room temperature ; 25°C is ideal, if possible.)
- Idle current stipulated value : 3-100mA.

■ Rear Amp. side (REAR REGULATOR assy) (CL - J75LD only)

Step	Measurement	Item	Remarks
1		Short both sides of C7523 and C7524 on the Front Amp. side. (Refer to Fig. 7-6)	Do not operate the Front Amp. side.
2	Center amp. side	Insert a resistor (0.22 Ω , 2W or more) in series in the connector CN7102 + B2 (or - B2) line (terminal No. 5 or 6). (Refer to Fig. 7-5.)	For measuring voltage at both sides of resistor.
3		Short both sides of C7145 on the Surround amp. side.	Do not operate the Surround Amp.
4		Turn the power ON, wait 6 seconds, and then measure the resistance voltage in Step 2.	Idle current : $I=V/0.22$
5	Surround amp. side	<ul style="list-style-type: none"> • Same as Steps 1 and 2 above. • Short both sides of C7144 on Surround amp. side. 	Do not operate the Surround Amp.
6		Turn the power ON under the conditions in steps 1 and 2, and after 6 seconds measure the resistance voltage in Step 2.	
7	-	If the measured idle current is greater than 100mA, perform the following procedure.	
8	Center amp. side	Short between the Point ㊸ pattern in Fig. 7-6 using solder.	Connect R7117 to R7115 in a parallel circuit.
9	Surround amp. side	Short between the Point ㊹ pattern in Fig. 7-6 using solder.	Connect R7118 to R7116 in a parallel circuit.
10	-	After performing steps 8 and 9, remeasure the idle current and confirm that it is below 100mA.	
11	-	If the idle current is below 10mA, perform the following procedure.	
12	Center amp. side	Short between the point ㊺ pattern in Fig. 7-6 using solder.	Connect R7151 to R7119 in a parallel circuit.
13	Surround amp. side	Short between the point ㊻ pattern in Fig. 7-6 using solder.	Connect R7152 to R7120 in a parallel circuit.
14	-	After performing steps 12 and 13, remeasure the idle current and confirm that it is greater than 10mA (within 10-100mA).	

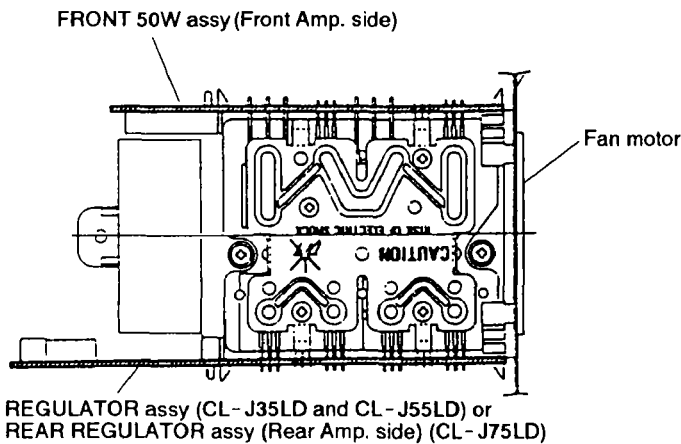


Fig. 7-3 PCB Location of Power Amp. Module

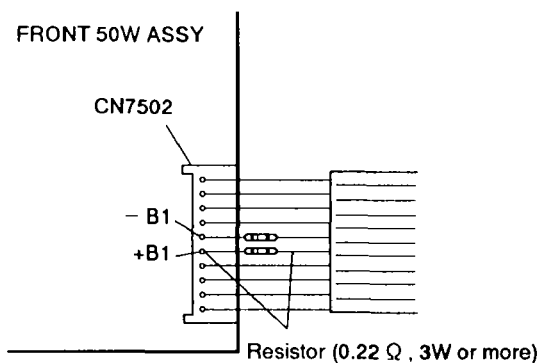


Fig. 7-4 Checking for voltage at both sides of resistor

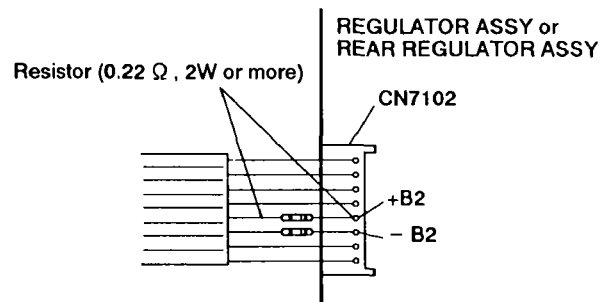


Fig. 7-5 Checking for voltage at both sides of resistor

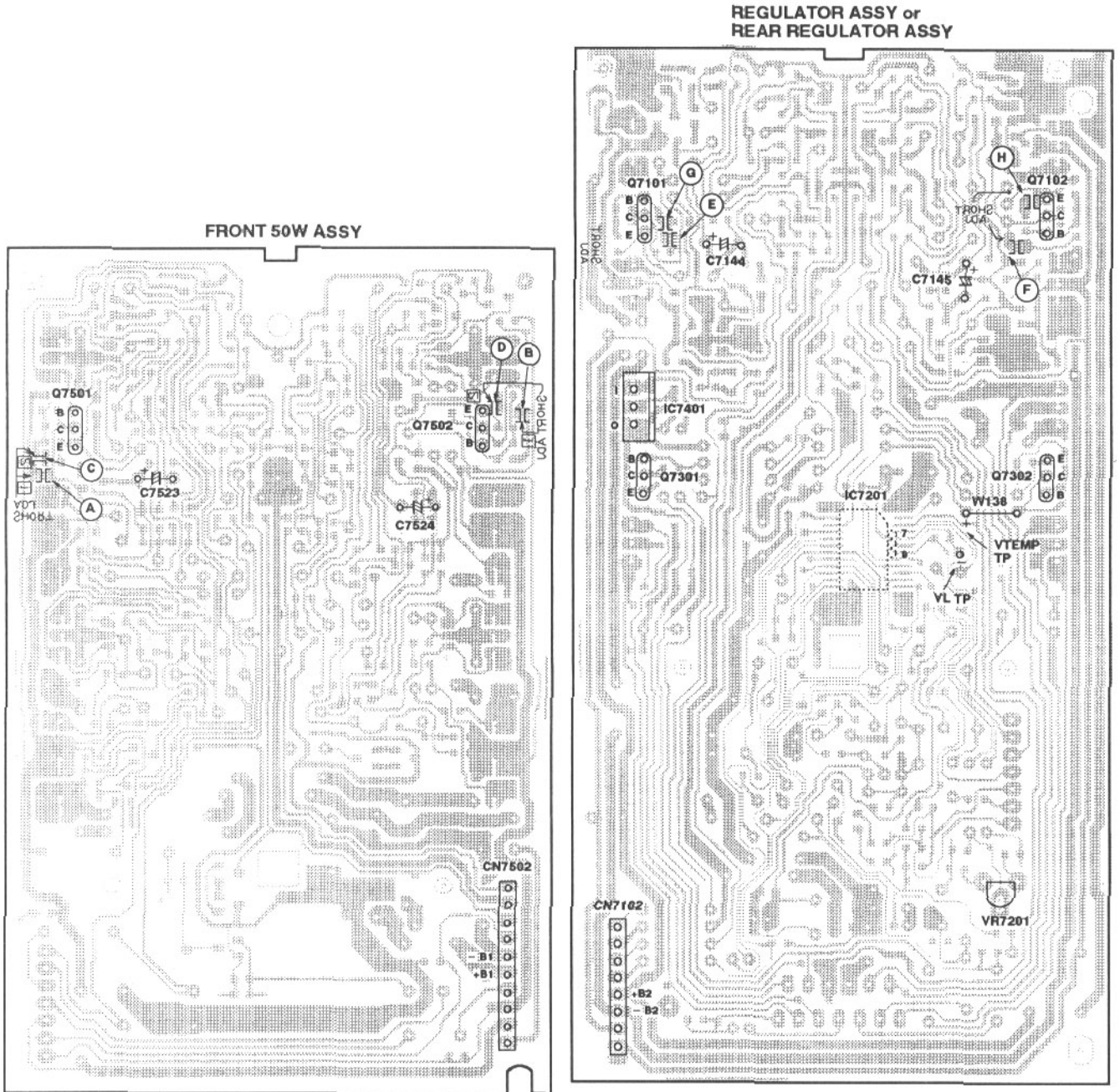


Fig. 7-6 Adjustment point

3. Adjusting the Operating Temperature Setting of the Fan Motor (VR7201)

This adjustment is necessary when IC7401 (+12V regulator), Q7301 and Q7302 (temperature sensors), IC7201 (protection IC) or VR7201 has been replaced, or when the entire split board assy of the Power Amp. Module has been replaced.

■ Adjustment-Related Cautions

- Make sure the heat sink has sufficiently cooled (is the same as room temperature Ta.)
- Once the power has been turned ON, make measurements and adjustments as quickly as possible. (If too much time is taken, the heat sink temperature will rise, and the measurements will deviate from the Ta measurement point.)

■ Adjustment

1. Connect a voltmeter between VTEMP and VL (or between IC7201 terminals No. 9 and 7).
(Refer to Fig. 7-6 and 7.)
2. Determine the fan motor operating temperature setting by means of the following formula. (Tolerance is within $\pm 30\text{mV}$.)
Formula : $(75^\circ\text{C} - \text{Ta}) \times 19(\text{mV})$
Ta : ambient temperature ($^\circ\text{C}$)
3. Adjust VR7201 so that the voltage between VTEMP and VL is the value obtained from the above formula.

For example:

when the room temperature is 25°C ,

set value = $(75 - 25) \times 19 (\text{mV})$

= 950mV (tolerance within $\pm 30\text{mV}$)

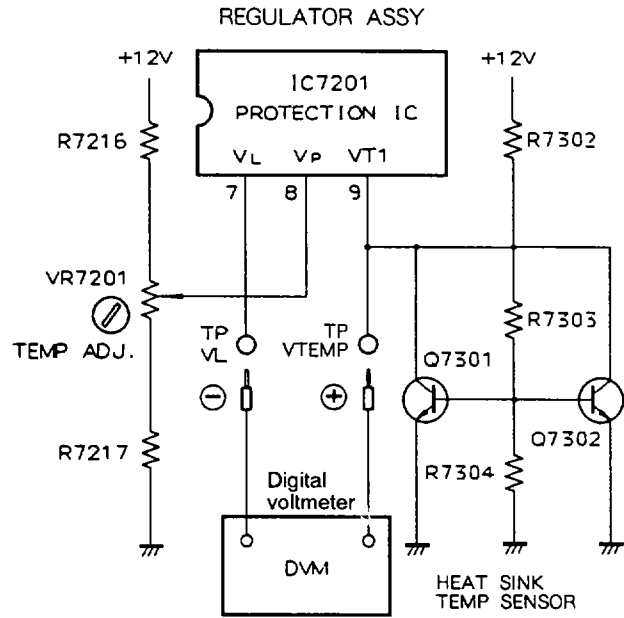


Fig. 7-7 Adjustment of operating temperature setting of fan motor

7.3 CASSETTE DECK SECTION

- Adjustment point and test point are shown Fig.7- 9 and 7- 11.

■ Mechanical Adjustment

- Set the TAPE function.
- Test tape : STD - 301 (3kHz, 30min)

1. Tape Speed Adjustment

No.	Mode	Test Tape	Adjustment point	Measurement point	Adjustment procedure	Remarks
1	PLAY	STD-301 (Playback : 3kHz)	DECK unit VR4111	TAPE TEST POINT(Rch)	Press the PLAY SW and adjust so that the reading becomes 3010Hz \pm 10Hz, Confirm that wow & flutter level is below 0.2% (in the reverse direction, confirm that the reading is within 3010Hz \pm 60Hz).	

■ Electrical Adjustment

Check the following before starting

1. Confirm that the tape speed adjustment has been completed.
2. Clean the heads and demagnetize them using a head eraser.
3. Set the measurement level to 0dBV=1Vrms.
4. Use the specified tape for adjustment. Use the labeled (A) side of the test tape.
STD - 331E : For playback adjustment
STD - 63I : Normal blank tape
5. Provide yourself with the following measuring devices :
 - AC millivoltmeter
 - Low-frequency oscillator
 - Attenuator
 - Oscilloscope
6. Adjust both right and left channels unless otherwise specified.
7. Turn the DOLBY NR switch off unless otherwise specified.
8. Warm up the unit for several minutes before adjustment. In particular, be sure to warm up the unit in the REC/PLAY mode for 3 to 5 minutes before starting recording/playback frequency characteristics adjustment.
9. Always follow the indicated adjustment order. Otherwise, a complete adjustment may not be achieved.

Playback Adjustment (DECK I and DECK II)

1. Head Azimuth Adjustment
2. Playback Level Adjustment

Recording Adjustment (DECK II)

1. Bias Oscillation Frequency Adjustment
2. Recording Bias Adjustment
3. Recording Level Adjustment
4. ALC Operation Check

※ As the reference recording level is 250nwb/m for STD - 331E, the recording level will be higher by 4 dB for STD - 331B (160nwb/m). When adjusting, pay careful attention to the type of tape used.

Dolby noise reduction manufactured under license from Dolby Laboratories Licensing Corporation.
 "DOLBY" and the double - D system are trademarks of Dolby Laboratories Licensing Corporation.

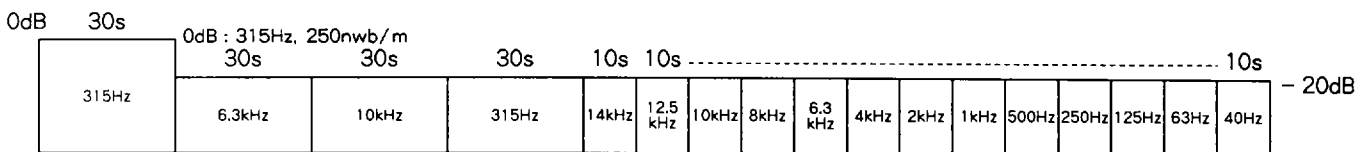


Fig. 7-8 STD-331E Test Tape

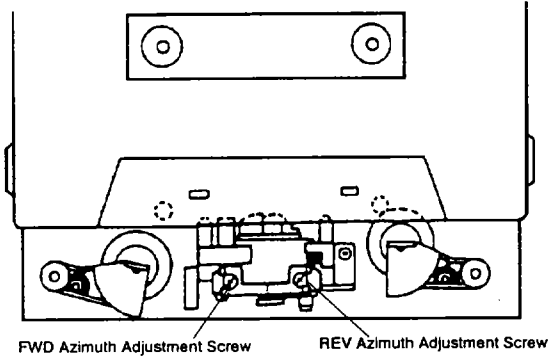


Fig. 7-9 Head Azimuth Adjustment

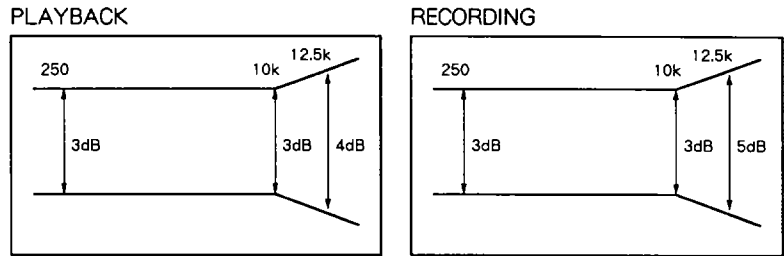


Fig. 7-10 Frequency Characteristics

● Playback Adjustment

1. Head Azimuth Adjustment

- This unit is equipped with auto tape selector.
- Do not switch between forward and reverse operation with the screwdriver inserted.

No.	Tape Selector (AUTO)	Mode	Input Signal/ Test Tape	Adjustment Point	Measurement Point	Adjustment Value	Remarks
1	NORMAL	PLAY	STD-331E test tape (Playback: 10kHz, -20dB)	Deck I Deck II	Head azimuth adjustment screw (Fig. 7-9)	TAPE TEST POINT (L, Rch) (MAIN assy)	Max. playback signal level After adjustment, apply lock paint to the head azimuth adjustment screw.

2. Playback Level Adjustment

- Since this adjustment determines playback Dolby NR level, perform it carefully.

No.	Tape Selector (AUTO)	Mode	Input Signal/ Test Tape	Adjustment Point	Measurement Point	Adjustment Value	Remarks
1	NORMAL	PLAY	STD-331E test tape (Playback: 315Hz, 0dB)	Deck I Deck II	VR4201 (Lch) VR4202 (Rch) VR4203 (Lch) VR4204 (Rch)	TAPE TEST POINT (L, Rch) (MAIN assy)	-4.8dBV

● Recording Adjustment

1. Bias Oscillation Frequency Adjustment

No.	Tape Selector (AUTO)	Mode	Input Signal/ Test Tape	Adjustment Point	Measurement Point	Adjustment Value	Remarks
1	NORMAL	REC	Load the STD-631 test tape and set the recording mode.	Deck I Deck II	- T4351	- Between ① point in Fig. 7-11 and GND.	Oscillation frequency to be 105.0kHz ± 2kHz. When the power is turned ON while the <input checked="" type="checkbox"/> NR ON/OFF button is depressed, the frequency will decrease 2-3kHz.

- After the adjustment, caution should be exercised so as not to become under bias by checking the distortion rate.

2. Recording Bias Adjustment

No.	Tape Selector (AUTO)	Mode	Input Signal/ Test Tape	Adjustment Point	Measurement Point	Adjustment Value	Remarks
1	NORMAL	REC	Input a 315Hz signal to the VIDEO IN terminal and set the input selector to VIDEO.	Deck I Deck II	- Input signal level	TAPE TEST POINT (L, Rch) (MAIN assy)	-24.8dBV
2	NORMAL	REC → PLAY	Load the STD-631 test tape and record/playback the 315Hz and 10kHz signals.	Deck I Deck II	- VR4352 (Lch) VR4351 (Rch)	TAPE TEST POINT (L, Rch) (MAIN assy)	Repeat adjustment until playback level of the 10kHz signal is within 0 ± 0.5dB from that of the 315Hz signal.

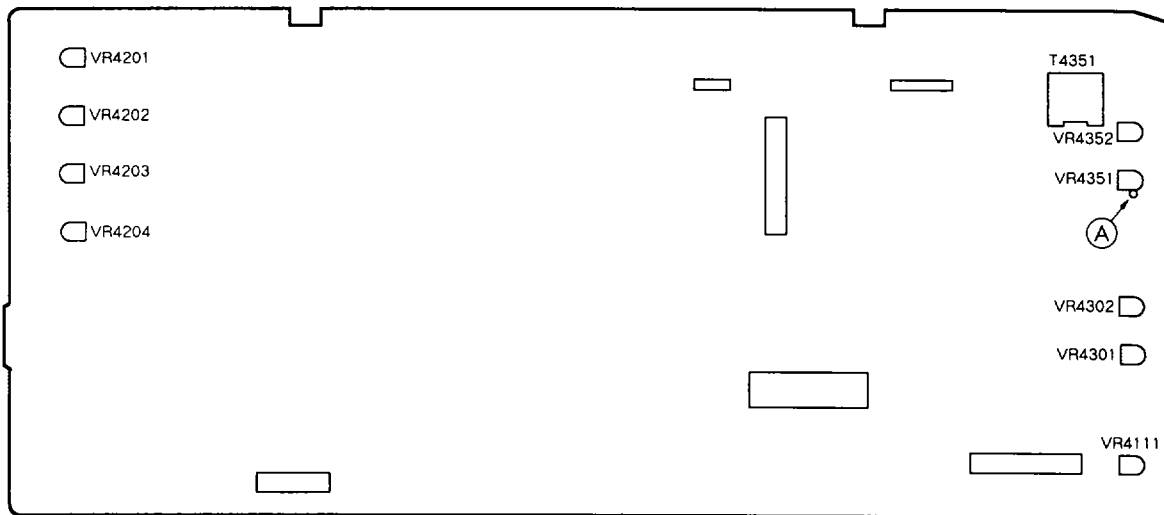
3. Recording Level Adjustment

No.	Tape Selector (AUTO)	Mode	Input Signal/ Test Tape	Adjustment Point	Measurement Point	Adjustment Value	Remarks
1	NORMAL	REC	Input a 315Hz signal to the VIDEO IN terminal and set the input selector to VIDEO.	Deck I Deck II	Input signal level	TAPE TEST POINT (L, Rch) (MAIN assy)	- 8.8dBV
2	NORMAL	REC → PLAY	STD-631 test tape and record/playback the 315Hz signal.	Deck I Deck II	- VR4301 (Lch) VR4302 (Rch)	TAPE TEST POINT (L, Rch) (MAIN assy)	Repeat recording, playback and adjustment until playback level of the 315Hz signal becomes - 8.8dBV.

4. ALC Operation Check

No.	Tape Selector (AUTO)	Mode	Input Signal/ Test Tape	Adjustment Point	Measurement Point	Adjustment Value	Remarks
1	NORMAL	REC/ PAUSE	Input a 315Hz signal to the VIDEO IN terminal and set the input selector to VIDEO.	Input signal level	TAPE TEST POINT (L, Rch) (MAIN assy)	- 8.8dBV	
2				Set to a level +10dB above the input level at step 1.		- 3.8 ± 2.5dBV	

DECK ASSY



MAIN ASSY

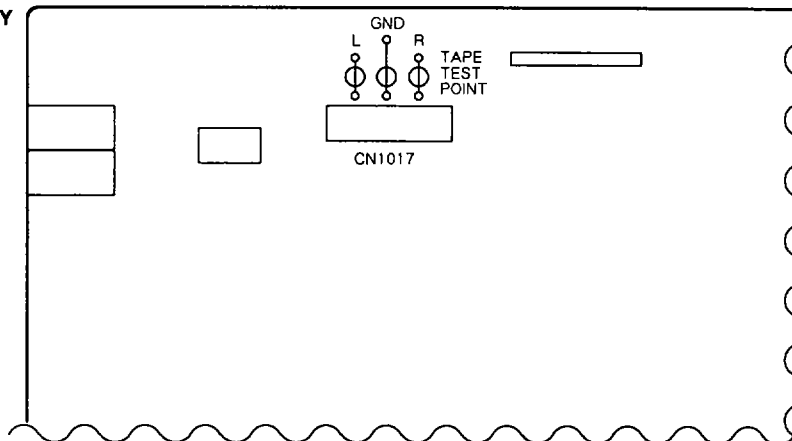


Fig. 7-11 Adjustment point and Measurement point

7.4 CLD SECTION

1. Test Mode

1)How to start test mode

On the VIMC unit, Short circuit the test mode jumper W423 and GND (chassis), the test mode is started by putting the power switch ON. (Fig. 7- 12)

After confirming that all FL indicators are lit, remove test mode jumper wire and GND connection. If you have test mode remote control unit (GGF1067), press ESC key and TEST key in order with power switch ON.

2)How to cancel test mode

Turn power switch OFF. Or, press test mode remote control unit ESC key.

3)Functions and key control when in test mode

Note : For keys not on player or on accompanying remote control unit, use test mode remote control unit(GGF1067).

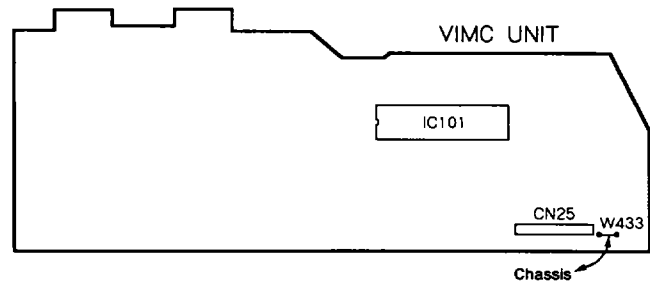


Fig. 7- 12

Note : When you open the tray in test mode, the screen displays goes out. To display the screen again, press the **DISPLAY** key.

• Key Operation in the Test Mode

Player status	Key operation	Function	TV screen display
Tray open	⏮/⏭ SKIP (Note 1)	⏮: Shifts the tray in the closed direction and also raises the turn table while pressing the key. ⏭: Shifts the tray in the open direction and also lowers the turn table while pressing the key.	
Tray open	▶ PLAY	Clamps	
Clamp	▶ PLAY	Turns the disc through TRK Servo OFF	TRK- OFF
TRK servo OFF	▶ PLAY	TRK servo ON	TRK- ON
TRK servo ON	▶ PLAY	TRK servo OFF	TRK- OFF
TILT neutral	+MULTI- SPEED	TILT servo ON	T-□:ON
TILT ON	- MULTI- SPEED	TILT neutral	T-□:N
TILT neutral or ON	⏮/⏭ SKIP	Setting TILT Servo to OFF, can force TILT to move.	T- 1 to T- E
Clamp	⏮/⏭ SCAN	Can force the slider to move	S- LD S- CDV S- CD S- IN
Play	⏸ PAUSE	Still	
Play	■ STOP	Stop	
Stop	▲ OPEN	Open	
Play	+10 ↓ 0 to 9 ↓ ▶ PLAY	Set to SEARCH lead address input mode. Designates the SEARCH lead address through keys 0 to 9. Press the CLEAR [C] key if the designated address is incorrect. Searches the designated address upon pressing the PLAY key.	

Note 1: Press SKIP (⏮/⏭) keys after the tray is set to open state by pressing OPEN (▲) key.

In tray open state, pressing PLAY (▶) key causes it to set to clamp state is to TILT neutral state and SKIP keys cannot function properly.

1-1 Player Operation in the Test Mode (disc tray is removed)

Operate the player by selecting a test mode function with the keys on the player or on the remote control unit.

● CD PLAYBACK

- ① Place the CD disc on the turn table.
- ② Press the PLAY (▶) key once.
(Twin gear starts to move.)
- ③ Push the cam plate (Fig. 7-13) in the direction of the arrow and wait until the CD disc is clamped.

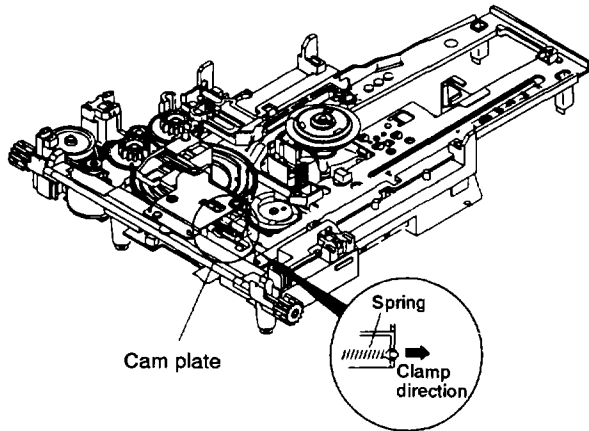
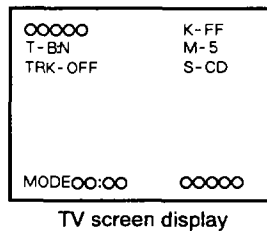


Fig. 7-13

- ④ Press the ◀◀ or ▶▶ keys to appear "S-CD" on the TV screen display.



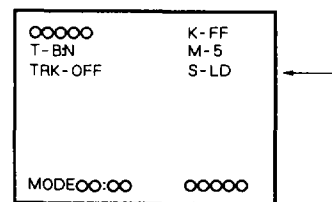
TV screen display

Fig. 7-14

- ⑤ After pressing the PLAY (▶) key once to clamp the disc, press the PLAY (▶) key twice, disc will be normally playbacked.

● LD PLAYBACK

- ① Press the PLAY (▶) key once.
(Twin gear starts to move.)
- ② Press the SKIP REV (◀◀) key to raise the turn table (spindle motor section) while pressing the cam plate (Fig. 7-13) in the direction of the arrow. Raise it to the position where the LD disc can be easily placed on the turn table. If the turn table is raised too high, lower it with the SKIP FWD (▶▶) key.
- ③ Place the LD disc on the turn table and press the PLAY (▶) key once to clamp the disc.
- ④ Press the ◀◀ or ▶▶ keys to appear "S-LD" on the TV screen display.



TV screen display

Fig. 7-15

- ⑤ After pressing the PLAY (▶) key once to clamp the disc, press the PLAY (▶) key twice, disc will be normally playbacked.

2. Adjustment Precautions

● Jigs and Instruments Required for Adjustment

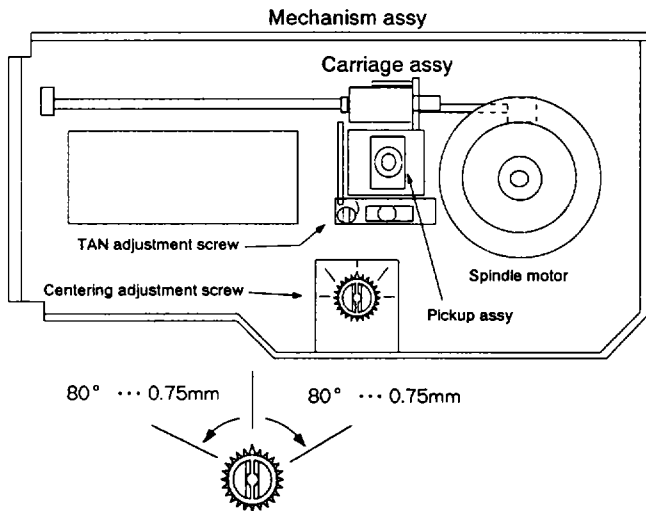
- CD test disc (YEDS-7)
- LD test disc (GGV1012)
- NTSC test disc (GGV1003)
- PAL test disc (GGV1007)
- (-) Phillips screwdriver (medium)
- (-) Phillips screwdriver (small)
- (+) screwdriver (large)
- (+) screwdriver (medium)
- Dual-trace oscilloscope (with delay)
- Frequency counter
- TV monitor

2-1 Before Adjustment Mechanism System

- Centering adjustment screw and TAN adjustment screw

Note : Be careful not to turn centering adjustment screw and TAN adjustment screw past their adjustment range.

After the completion of adjustment, apply locktite or the like to the centering and TAN adjustment screws.



Do not turn the Centering and TAN adjustment screws past their ranges, which are $\pm 0.75\text{mm}$ and $\pm 80^\circ$ from center. After the completion of adjustment, apply locktite or the like to the Centering and TAN adjustment screws. Apply at least 1/3 the circumference about 1/2 half the circumference as in the figure.

Fig. 7-16 Adjustment point of mechanism assy

- The mechanical adjustments can all be carried out with disc tray mounted.

- Notes When Adjusting Centering

If waveform S/N is bad and difficult to observe in "3. Spindle motor centering adjustment" (Refer to page 145) use the low pass filter in diagram.

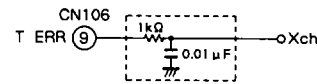


Fig. 7-17 Low pass filter

- Carriage Assy Position When Adjusting Centering

When moving slider to inner position to adjust the innermost track of disc during centering adjustment, be careful not keep the mechanism stopper and Carriage assy from bumping each other. (Fig. 7-18)

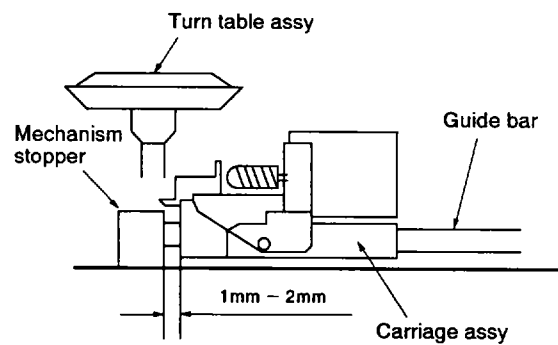


Fig. 7-18

- Notes When Adjusting Pickup Assy

Please clean lens first when readjusting the PICKUP assy that is on this product. Also when changing PICKUP assy, change whole CARRIAGE assy (VWT1110).

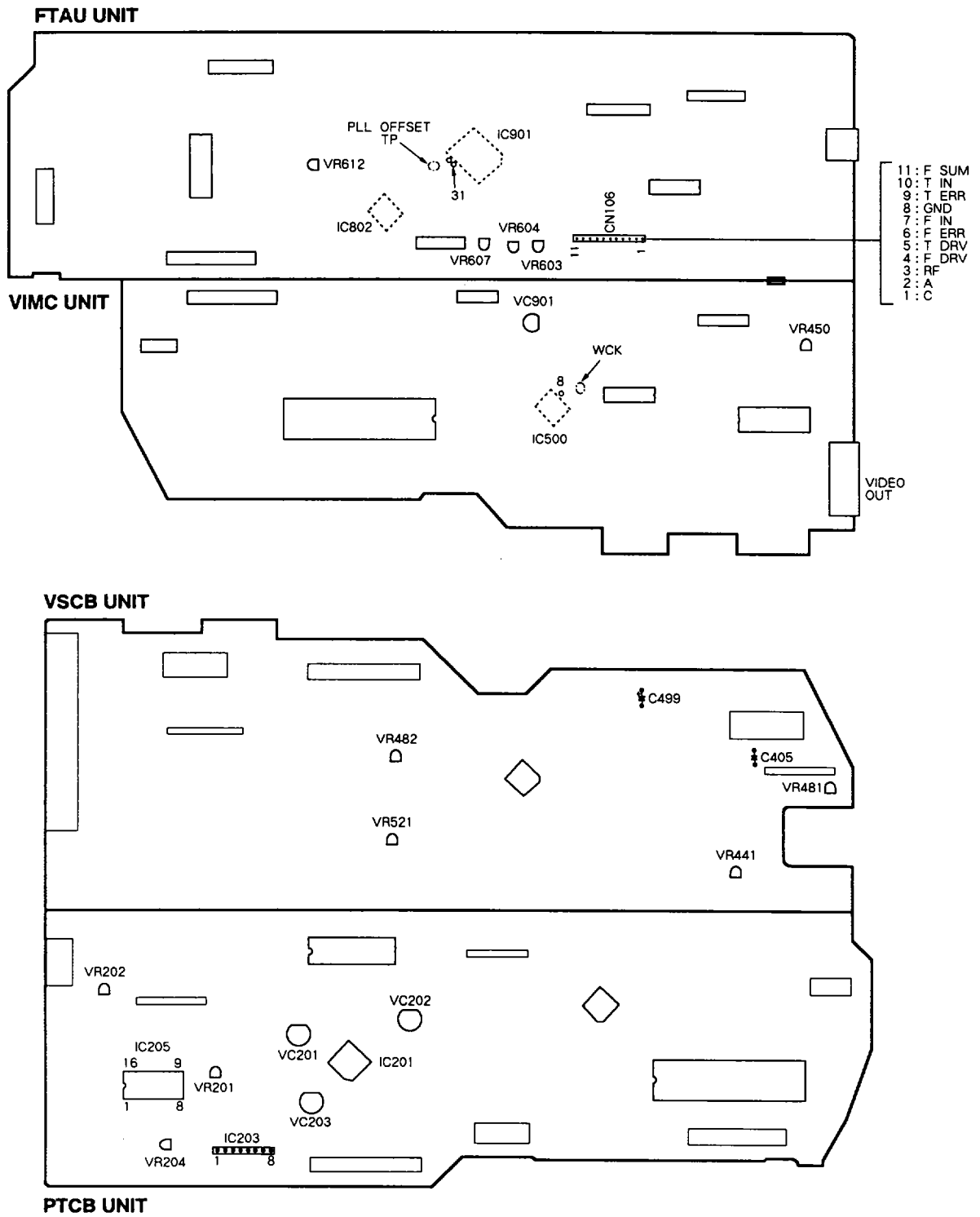
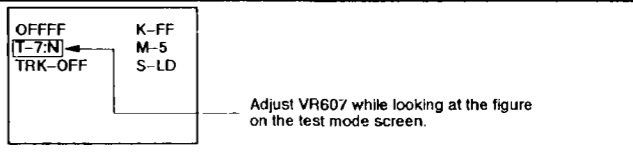
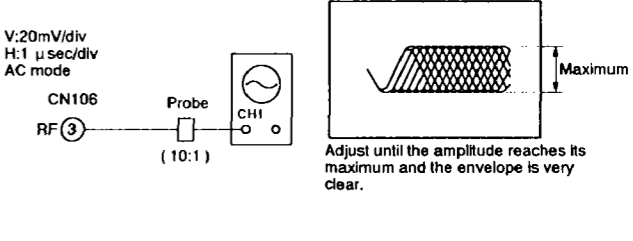
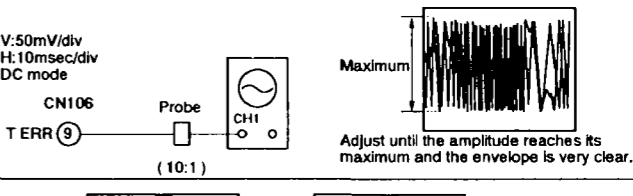
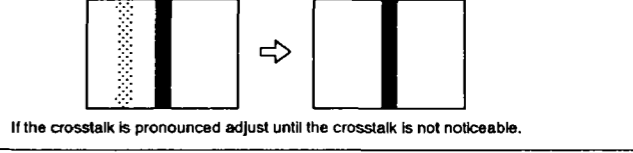
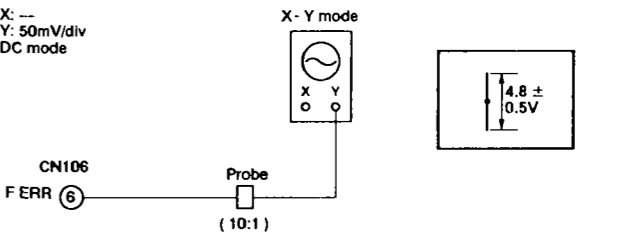
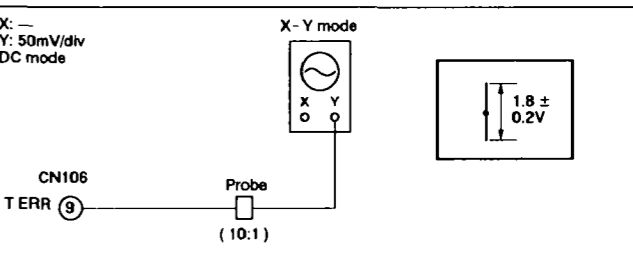
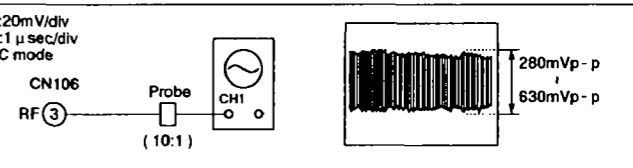


Fig. 7 - 19 Adjustment point

3. Mechanical Adjustments

Step	Adjustment name	Adjustment point	Measuring point and measuring mode	Player condition	Adjustment procedure	Waveform and connection diagram
1	Tilt offset adjustment	FTAU unit VR607 (TILT OFFSET)	TV monitor	Test mode Disc not installed	Adjust VR607 so that the tilt indication reaches T-6 to T-8. (See test mode function and key operation)	
2	Tangential direction angle adjustment	Carriage assy TAN adjustment screw	FTAU unit CN106-3 (RF)	CD play (CD INSIDE POSITION) TRKG-ON, TILT-ON	Adjust so that the amplitude of the RF waveform reaches its maximum and the envelope is very clear.	
3	Spindle motor centering adjustment	Mechanism assy Centering adjustment screw	FTAU unit CN106-9 (TERR)	CD play (CD INSIDE POSITION) TRKG-OFF, TILT-ON	Adjust so that the amplitude of the tracking error waveform reaches its maximum and the envelope is very clear.	
4	Cross talk check and tilt offset adjustment	FTAU unit VR607 (TILT OFFSET)	TV monitor Crosstalk monitor check	GGV1012 #115 STILL TRKG-ON, TILT-ON	If the crosstalk is pronounced, adjust VR607 until the crosstalk is not noticeable.	
5	Focus servo loop gain adjustment	FTAU unit VR604 (FOCUS GAIN)	FTAU unit CN106-6 (FERR) CH2 "X-Y mode"	GGV1012 (PLAY STANDBY) Short CN106-7 (F IN) and 8 (GND), then PLAY (disc not turn)	Adjust VR604 until the waveform level is $4.8 \pm 0.5V$.	
6	Tracking servo loop gain adjustment	FTAU unit VR603 (TRKG GAIN)	FTAU unit CN106-9 (TERR) CH2 "X-Y mode"	GGV1012 #115 STILL TRKG-ON, TILT-ON	Adjust VR603 until the waveform level is $1.8 \pm 0.2V$.	
7	RF level check	_____	FTAU unit CN106-3 (RF)	GGV1012 #115 STILL TRKG-ON, TILT-ON	Check that the RF waveform amplitude is within the range 280mVp-p to 630mVp-p. ※ There is some variation according to the pickup, but it is about 400mVp-p.	

(NOTE)

- This adjustment can be thought to be about the same adjustment as on the manufacturing line with differing adjustment tools. Follow the adjustment procedures even for checking the adjustments.
- The test disc is a GGV1012 (8-inch LD test disc) and corresponds to YEDS-7 (CD).
- When you open the tray in test mode, the screen displays goes out. To display the screen again, press the **DISPLAY** key.
- The mechanical adjustment can be all carried out with disc tray mounted.

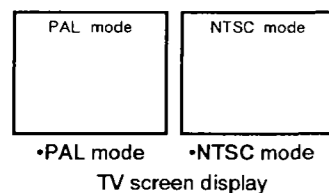
The following steps are applicable to the CL-J35LD/HE, HE/FR, HEZI/DI, CL-J75LD/HE, HE/FR, HEZI/DI, and HB.


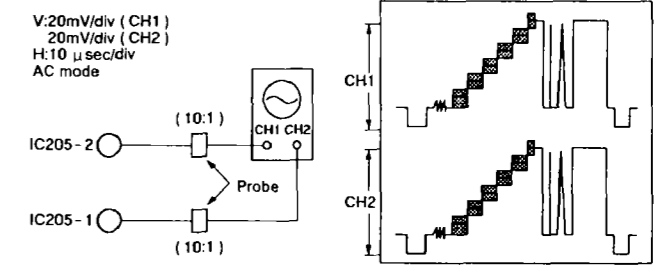
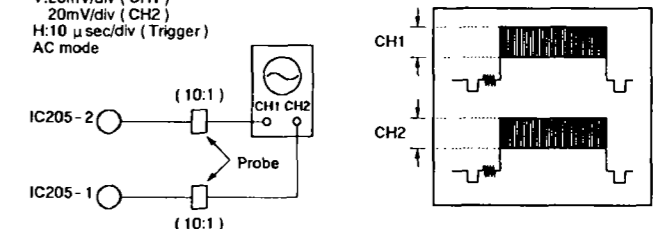
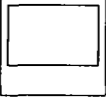
Step	Adjustment name	Adjustment point	Measuring equipment and jigs	Measurement point	Player condition	Adjustment procedure	Waveform and connection diagram
8	NTSC reference clock adjustment	PTCB unit VC202	• Frequency counter • GGV1003	PTCB unit IC201 - 33 (TBC CLK)	NTSC PLAY mode Play the NTSC disc, or select the NTSC mode. (* 1)	Adjust 4 fsc frequency (14.31818MHz) ± 100Hz.	
9	PAL reference clock adjustment	PTCB unit VC201	• Frequency counter • GGV1007	PTCB unit IC201 - 33 (TBC CLK)	PAL PLAY mode Play the PAL disc, or select the PAL mode. (* 1)	Adjust 910 fH frequency (14.21875MHz) ± 100Hz.	
10	PAL reference clock adjustment	PTCB unit VC203	• Frequency counter • GGV1007	PTCB unit IC201 - 24 (OSD CLK)	PAL PAUSE mode Play the PAL disc and set to PAUSE state, or select the PAL mode. (* 1)	Adjust 4 fsc frequency (17.734475MHz) ± 100Hz.	
11	PAL VCXO ERR OFFSET check	PTCB unit VC201	• Oscilloscope • GGV1007 • Digital volt meter	PTCB unit IC203 - 1 (VCXO ERR)	Play the PAL disc.	Play the PAL disc and check that the voltage of VCXO ERR at IC203 - 1 is 0V ± 100mV. If the specified voltage is not obtained, adjust VC201 so that the voltage becomes 0V ± 100mV. Note : The adjustment of VC201 in this step should have priority over that in step 9.	
12	VCO center frequency adjustment	VSCB unit VR481	• Oscilloscope • GGV1007	VSCB unit CH1 : C405 lead wire CH2 : C499 lead wire	• Normal mode • GGV1007 #4,000 STILL	Place a trigger in CH 1 and adjust until the center of the CH 2 video signal jitter is 75 μsec (1H+11 μsec) ± 1.4 μsec compared to the CH 1 video signal.	
13	Video level adjustment	VSCB unit VR482	• TV monitor • Oscilloscope • GGV1003	video output terminal	• Normal mode • GGV1003 #19,900 STILL	Connect a 75 Ω resistor to the VIDEO output terminal (possibly by connecting to the monitor) and adjust until the sync tip to 100% white level is 1Vp-p ± 5% at white (100%) signal.	
14	1H delay video level adjustment	VSCB unit VR441	• Oscilloscope • GGV1003	VSCB unit CH1 : IC401 - 35 CH2 : IC401 - 33	• Normal mode • GGV1003 #19,900 STILL	Adjust until the sync tip to 100% white level at the white (100%) signal is the same as in CH 1 and CH 2.	

* 1 : NTSC or PAL modes are selected

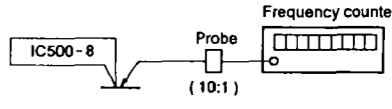
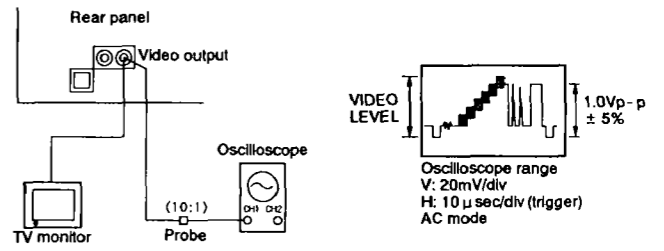
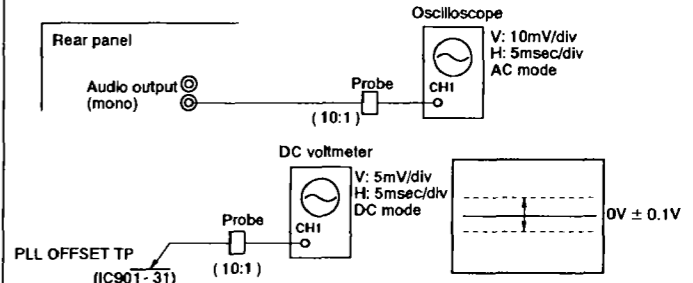
Press the POWER button while pressing the SFC button after POWER button is turned to OFF.

PAL and NTSC modes are indicated as follows.



Step	Adjustment name	Adjustment point	Measuring equipment and jigs	Measurement point	Player condition	Adjustment procedure	Waveform and connection diagram
15	VPS error level adjustment	VSCB unit VR521	• TV monitor • GGV1003	TV monitor	• Normal mode • GGV1003 #8,000 STILL (Magenta screen)	Adjust until the color irregularity on the magenta screen is minimized.	 Color irregularity on the magenta screen is minimized.
16	MOD Y - signal level adjustment	PTCB unit VR204	• Oscilloscope • GGV1003	PTCB unit CH1 : IC205 - 2 CH2 : IC205 - 1	• Normal mode • GGV1003 #19,900 STILL	Adjust until the sync tip to 100% white level at the white (100%) signal is the same as in CH 1 and CH 2.	
17	MOD C - signal level adjustment	PTCB unit VR202	• Oscilloscope • GGV1003	PTCB unit CH1 : IC205 - 2 CH2 : IC205 - 1	• Normal mode • GGV1003 #8,000 STILL	Adjust until the chroma signal level at the magenta signal is the same as in CH 1 and CH 2.	
18	PAL inverting SC phase adjustment	PTCB unit VR201	• TV monitor • GGV1007	TV monitor	• Normal mode • GGV1007 #6,500 STILL (Magenta screen)	Adjust until the color irregularity on the magenta screen is minimized.	 Color irregularity on the magenta screen is minimized.

4. Electrical Adjustment

Step	Adjustment name	Adjustment point	Measurement point	Player condition	Adjustment procedure	Waveform and connection diagram
1	Master clock adjustment	VIMC unit VC901	VIMC unit IC500-8 (WCK)	Power ON	Adjust VC901 so that frequency with power on is 14.31818MHz ± 10Hz. Connect video output terminal and oscilloscope. (Video output terminal is terminated with 75 Ω) (It is possible terminate video output terminal with 75 Ω by connecting TV monitor)	
2	Output video level adjustment	VIMC unit VR450 (VIDEO LEVEL)	VIMC unit Video output terminal	Normal mode GGV1012 #19,900 STILL	Adjust VR450 so that level from video signal sync tip to 100% white becomes 1Vp-p ± 5%. (Video output terminal is terminated with 75 Ω)	
3	PLL OFFSET adjustment	FTAU unit VR612 (PLL OFFSET)	FTAU unit IC901-31 (PLL OFFSET TP)	Test mode CD play TRKG servo OFF/ON	With the tracking servo off, playback digital audio and roughly adjust VR612 so that the sound is audible. Connect IC901-31 a DC voltmeter and while playing back digital audio, switch the tracking servo on and off and adjust VR612 so that the difference between the DC voltage when the tracking servo is on and when it is off is no greater than 0 ± 0.1V.	

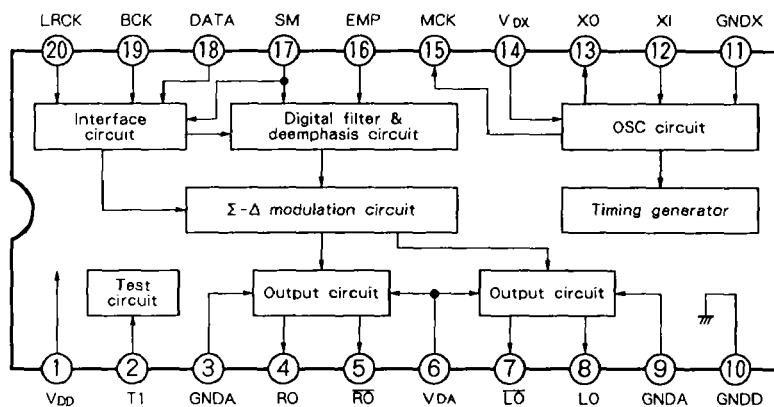
8. IC INFORMATION

- The information shown in the list is basic information and may not correspond exactly to that shown in the schematic diagrams.

■ TC9276P (IC201 : FTAU unit)

- $\Sigma - \Delta$ modulation techniques D/A converter with 8-times over sampling digital filter

• Block diagram



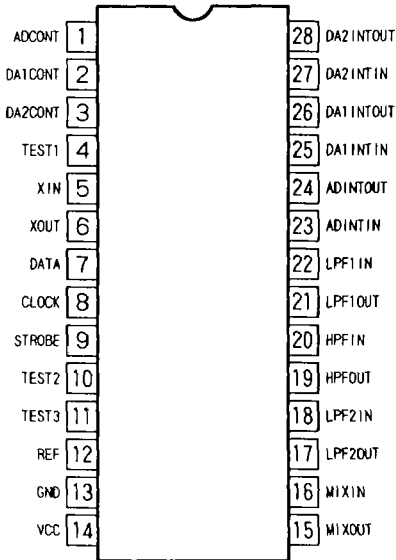
• Pin function

No.	Pin name	I/O	Function
1	V _{DD}	–	Digital GND.
2	T1	I	Test pin. Usually, use for "L".
3	GNDA	–	Analog ground pin for R channel.
4	RO	O	Positive output for R channel data.
5	$\bar{R}\bar{O}$	O	Negative output for R channel data.
6	V _{DA}	–	Power supply for analog section.
7	$\bar{L}\bar{O}$	O	Negative output for L channel data.
8	LO	O	Positive output for L channel data.
9	GNDA	–	Analog ground pin for L channel.
10	GNDD	–	Digital ground.
11	GNDX	–	Ground for crystal.
12	XI	I	Connect the crystal oscillator. Generates the clock for system.
13	XO	O	
14	V _{DX}	–	Power supply for crystal.
15	MCK	O	System clock output.
16	EMP	I	Deemphasis filter control pin. "H" for deemphasis filter ON. "L" for OFF.
17	SM	I	Soft mute pin. "H" for soft mute ON. "L" for OFF.
18	DATA	I	Data input pin.
19	BCK	I	Bit clock input pin.
20	LRCK	I	LR clock input pin.

■ M65840SP (IC1012 : MAIN assy)

• One tip digital key controller

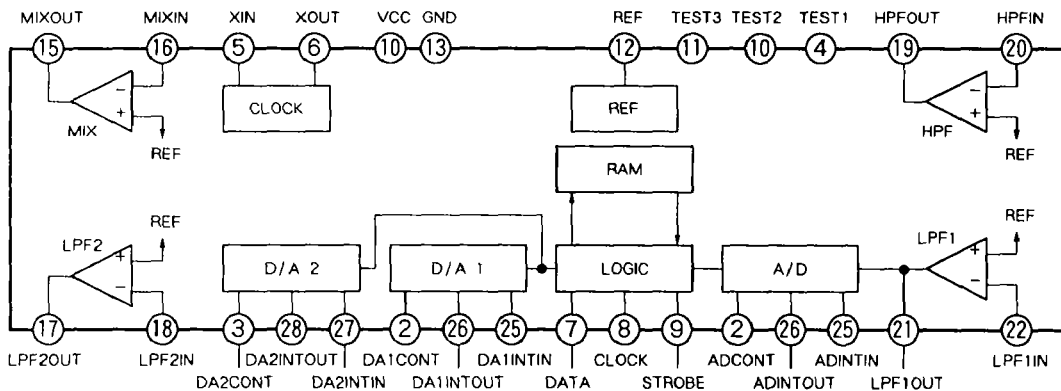
• Pin arrangement (Top view)



• Pin function

No.	Pin name	Name	Function
1	ADCONT	A/D control	Decide the proper time constant of the A/D conversion of the ADM system.
2	DA1CONT	D/A 1 control	Decide the proper time constant of the D/A 1 conversion of the ADM system.
3	DA2CONT	D/A 2 control	Decide the proper time constant of the D/A 2 conversion of the ADM system.
4	TEST1	Test	L : Normal mode , H : Test mode
5	XIN	Oscillator input	Connect the 16MHz ceramic filter.
6	XOUT	Oscillator output	
7	DATA	Data	Serial bus data input.
8	CLOCK	Clock	Serial bus clock input.
9	STROBE	Strobe	Serial bus strobe input.
10	TEST2	Test	Open.
11	TEST3	Test	Open.
12	REF	Reference	1/2 Vcc output. Connect the filter C.
13	GND	GND	Ground.
14	VCC	VCC	Power supply voltage.
15	MIXOUT	Mix output	Mix the low-pass signal with the key controlled and through high-pass signal.
16	MIXIN	Mix input	
17	LPF2OUT	Low-pass filter 2 output	Post filter after D/A conversion for key control.
18	LPF2IN	Low-pass filter 2 input	
19	HPF1OUT	High-pass filter output	High-pass through filter for high-pass through.
20	HPF1IN	High-pass filter input	
21	LPF1OUT	Low-pass filter 1 output	Pre-filter before A/D conversion for key control.
22	LPF1IN	Low-pass filter 1 input	
23	ADINTIN	A/D integrator input	Integrator for A/D conversion is constructed with the external capacitor.
24	ADINTOUT	A/D integrator output	
25	DA1INTIN	D/A 1 integrator input	Integrator for D/A 1 conversion is constructed with the external capacitor.
26	DA1INTOUT	D/A 1 integrator output	
27	DA2INTIN	D/A 2 integrator input	Integrator for D/A 2 conversion is constructed with the external capacitor.
28	DA2INTOUT	D/A 2 integrator output	

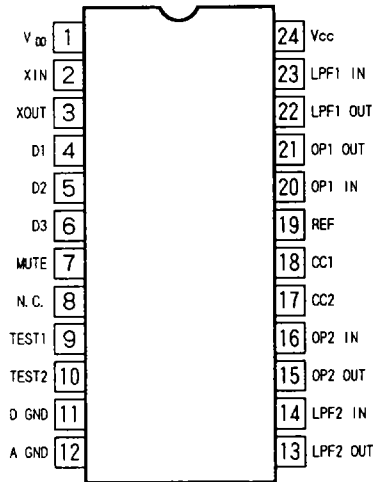
• Block diagram



■ M65830AFP-TF (IC2102 : LD-FRONT assy)

• One tip digital echo

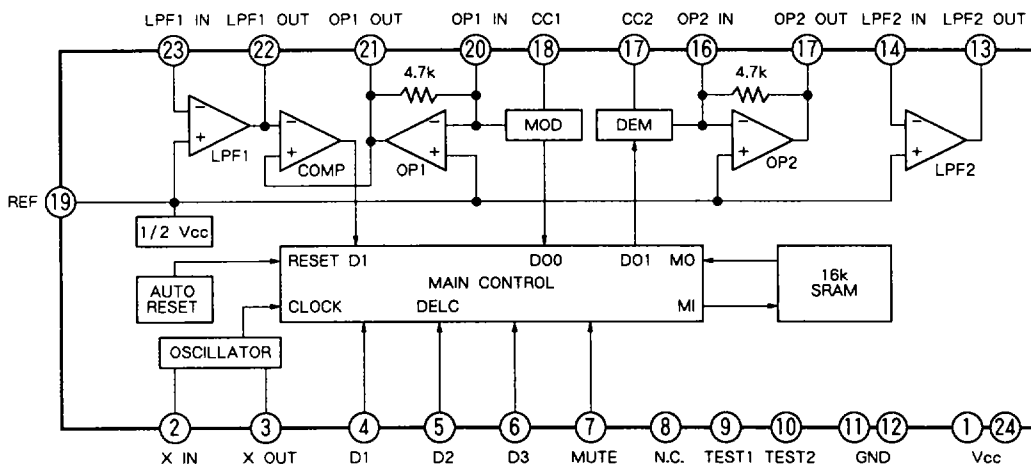
• Pin arrangement (Top view)



• Pin function

No.	Pin name	I/O	Name	Function
1	Vdd	-	Digital Vdd	Power supply voltage for digital.
2	XIN	I	Oscillator input	Connect the ceramic oscillator or external clock.
3	XOUT	O	Oscillator output	Connect the ceramic oscillator. Open at the external clock is used.
4	D1	I	Data 1	Delayed time setting data 1 input.
5	D2	I	Data 2	Delayed time setting data 2 input.
6	D3	I	Data 3	Delayed time setting data 3 input.
7	MUTE	I	Mute	Mute control (L : Mute)
8	N.C.	-	N.C.	Inhibit the external connection.
9	TEST1	I	Test 1	Normally set to L.
10	TEST2	I	Test 2	
11	D GND	-	Digital GND	GND for digital.
12	A GND	-	Analog GND	GND for analog.
13	LPF2 OUT	O	Low-pass filter 2 output	Output side low-pass filter is constructed with the external CR.
14	LPF2 IN	I	Low-pass filter 2 input	
15	OP2 OUT	O	OP amp. 2 output	Integrator for demodulation is constructed with the external capacitor and resistor.
16	OP2 IN	I	OP amp. 2 input	
17	CC2	-	Current control 2	Demodulator ADM control.
18	CC1	-	Current control 1	Modulator ADM control.
19	REF	-	Reference	Analog reference voltage = 1/2 Vcc
20	OP1 IN	I	OP amp. 1 input	Integrator for demodulation is constructed with the external capacitor and resistor.
21	OP1 OUT	O	OP amp. 1 output	
22	LPF1 OUT	O	Low-pass filter 1 output	Input side low-pass filter is constructed with the external capacitor and resistor.
23	LPF1 IN	I	Low-pass filter 1 input	
24	Vcc	-	Analog Vdd	Power supply voltage for analog.

• Block diagram



- PDG149A (IC1301:U.COM ASSY)(For KU, SD, SD/HO, SL and S/DF types)
 - PDG145A (IC1301:U.COM ASSY)(For HE, HE/FR, HEZI/DI and HB types)
- System Control Microcomputer

● Pin function

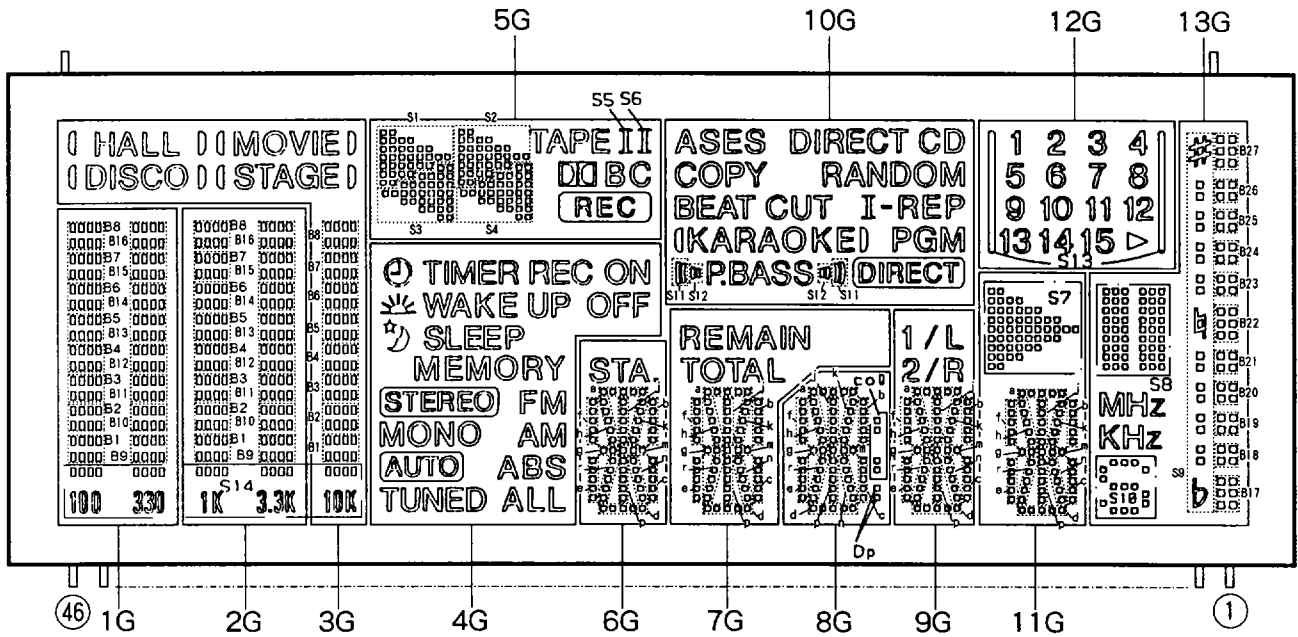
No.	Pin name	I/O	Function	No.	Pin name	I/O	Function
1	FSX	I	Error rate check signal input of CLD section.	41	Vss	-	Connect to GND.
2	SHAKE	I	Handshake signal input with the CLD mecha. control. ("L" : Active)	42	-	O	Not used. (NC)
				43	-	I	Connect to GND.
3	AC IN	I	AC 50/60Hz pulse input.	44	R.MUTE	O	Rear mute output. ("H" : Mute ON)
4	REMOTE	I	Remote control signal input. ("L" : Active)	45	SPA IN	I	Signal input for detecting spectral analyzer. (A/D input pin)
5	TUNED	I	TUNED input from the tuner section. ("L" : during reception)		46	AVref	-
6	PLL ST	O	Chip select output for prescaller IC of the tuner section. ("H" : Active)	47	AVss	-	Connect to GND.
7	MUTE	O	Muting output to the tuner section. (H : ON)	48	VTR SEL	O	VIDEO IN selection signal. ("H" : VIDEO selection)
8	MONO	O	MONO output to the tuner section. ("H" : forced MONO)	49	STBY LED	O	Standby LED display output. ("H" : ON)
9	STEREO	I	STEREO input from the tuner section. ("L" : Stereo broadcast)	50	POWER	O	System power ON/OFF control. ("H" : power ON)
10	SCK	I/O	Serial clock with the mecha. control and OSD of the CLD section.	51	SPA INH	O	Spectral analyzer detecting frequency control output.
11	SO	I	Serial data input from the mecha. control of the CLD section.	52	SPA B		
12	SI	O	Serial data output to the mecha. control and OSD of the CLD section.	53	SPA A		
13	XCS	O	Chip select output for OSC. ("L" : Active)	54	DOLBY ST	O	Strobe output for dolby prologic. ("H" : Active)
14, 15	-	O	Not used. (NC)				
16	XRESET	O	Reset output to the CLD section. ("L" : Reset ON)	55	FL ST	O	Strobe output for FL driver of the prologic section. (H : Active)
17-21	KI0- KI4	I	Key scan input. ("H" : Active)	56-59	16S- 13S	O	FL segment output. ("H" : ON)
22	LED (+/ -)	O	"+/ -" LED display output. ("H" : ON)	60-71	12S/KO11 1S/KO0	O	FL segment and key scan outputs. ("H" : ON)
23	LED (SET)	O	"SET" LED display output. ("H" : ON)				
24	XCLD POW	O	Power ON/OFF control output of the CLD section. ("L" : ON)	72-74	-	O	Not used. (NC)
25	H.P. IN	I	Headphone in/out input. ("L" : during headphone is connected)	75-87	1G- 13G	O	FL grid outputs. ("H" : ON)
26	EXP ST	O	Strobe output for expansion of the function switch system. ("H" : Active)	88	Vfdp	-	Connect to - 30V power supply for FL.
27	DATA	O	Serial data output for expansion.	89	Vdd	-	Connect to backup power supply (+5V).
28	CLK	O	Serial clock output for expansion.	90	NC	-	Connect to +5V.
				91	Vss	-	Connect to GND.
29	KEYCON ST	O	Strobe output to the key control IC. ("H" : Active)	92	SOL1	O	Solenoid control for deck I mecha. ("H" : ON)
30	MS PULSE	I	MS pulse input from the deck section.	93	SOL2	O	Solenoid control for deck II mecha. ("H" : ON)
				94	MOTOR	O	Motor control of the deck. ("H" : ON)
31	0006ST	O	Strobe output to the sound area control IC. ("H" : Active)	95	PULSE2	I	II mecha. reel pulse input of the deck.
				96	PULSE1	I	I mecha. reel pulse input of the deck.
32	9154ST	O	Strobe output for the electronic volume. ("H" : Active)	97	DECK ST	O	Strobe output for expansion of the deck section. ("H" : Active)
33	VOL DN	O	DOWN output of the electric volume. ("H" : Active)	98	66311ST	O	Strobe output for expansion of the LED display. ("H" : Active)
34	VOL UP	O	UP output of the electric volume. ("H" : Active)				
35, 36	-	O	Not used. (NC)	99	SHAKE	O	Handshake signal output with the mecha. control. ("L" : Active)
37	F.MUTE	O	Front mute output. ("H" : ON)				
38	RST	I	Reset input. ("L" : Active)	100	EFLG	I	Error rate check signal input of the CLD section.
39	EXTAL	I	Connect to the ceramic resonator (10MHz).				
40	XTAL	O					

9. FL INFORMATION

RAW1138 (V1301 : U.COM ASSY)

• FL TUBE

• ANODE GRID ASSIGNMENT



• PIN CONNECTION

Pin No.	Connection	Pin No.	Connection
1	F1	24	NX
2	F1	25	NX
3	F1	26	NX
4	NP	27	P16
5	13G	28	P15
6	12G	29	P14
7	11G	30	P13
8	10G	31	P12
9	9G	32	P11
10	8G	33	P10
11	7G	34	P9
12	6G	35	P8
13	5G	36	P7
14	4G	37	P6
15	3G	38	P5
16	2G	39	P4
17	1G	40	P3
18	NC	41	P2
19	NC	42	P1
20	P17	43	NP
21	NX	44	F2
22	NX	45	F2
23	NX	46	F2

F1, F2 : Filament
NP : No pin
NX : No extend pin
NC : No connection
DL : Datum Line
1G~13G : Grid

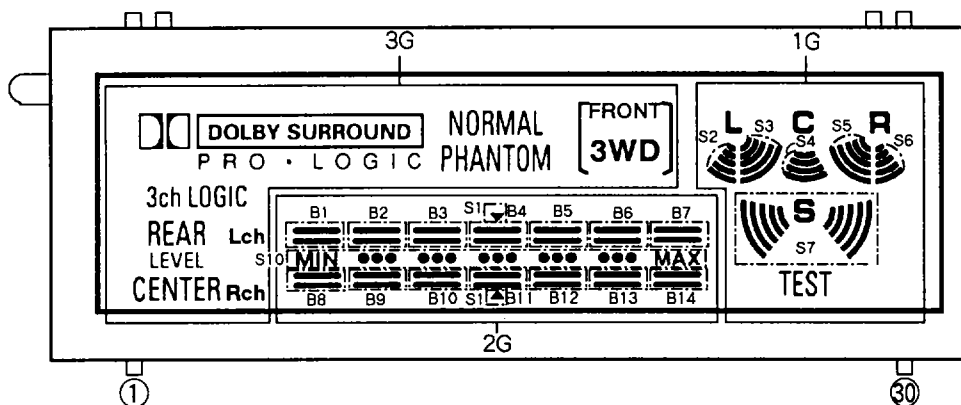
• ANODE CONNECTION

	13G	12G	11G	10G	9G	8G	7G	6G	5G	4G	3G	2G	1G
P1	S8	13	a	-	a	a	a	a	-	ON	B8	B8	B8
P2	B27	14	j	DIRECT	j	j	j	j	-	REC	((DISCO))	B16	B16
P3	B26	15	h	S11	h	h	h	h	-	TIMER	B7	B7	B7
P4	B25	▷	k	S12	k	k	k	k	-	OFF	((STAGE))	B15	B15
P5	B24	9	b	P.BASS	b	b	b	b	-	WAKE UP	B6	B6	B6
P6	B23	10	f	PGM	f	f	f	f	-	SLEEP	DISCO	B14	B14
P7	B22	12	m	KARAOKE	m	m	m	m	S4	STEREO	STAGE	B13	B13
P8	B21	5	g	REP	g	g	g	g	S3	FM	B4	B4	B4
P9	B20	6	c	-	c	c	c	c	X	MONO	((HALL))	B12	B12
P10	B19	7	e	I	e	e	e	e	B	AM	B3	B3	B3
P11	B18	8	r	BEAT CUT	r	r	r	r	C	AUTO	((MOVIE))	B11	B11
P12	B17	1	n	COPY	n	n	n	n	S1	ABS	B2	B2	B2
P13	MHz	2	p	RANDOM	p	p	p	p	S2	TUNED	HALL	B10	B10
P14	KHz	3	d	ASES	d	d	d	d	TAPE	ALL	B1	B1	B1
P15	S9	11	S7	((KARAOKE))	1/L	col	REMAIN	STA.	REC	MEMORY	B5	B5	B5
P16	S10	4	-	DIRECT CD	2/R	Dp	TOTAL	-	S5	-	MOVIE	B9	B9
P17	-	S13	-	-	-	-	-	-	S6	-	S14	S14	S14

■ AAV7001 (V2001 : DOLBY-FRONT ASSY)(CL-J75LD ONLY)

• FL TUBE

• ANODE GRID ASSIGNMENT



• PIN CONNECTION

Pin No.	Connection
1	F1
2	F1
3	NP
4	1G
5	2G
6	3G
7	P16
8	P15
9	P14
10	P13
11	P12
12	P11
13	P10
14	P9
15	P8
16	P7
17	P6
18	P5
19	P4
20	P3
21	P2
22	P1
23	NX
24	NX
25	NX
26	NX
27	NX
28	NP
29	F2
30	F2

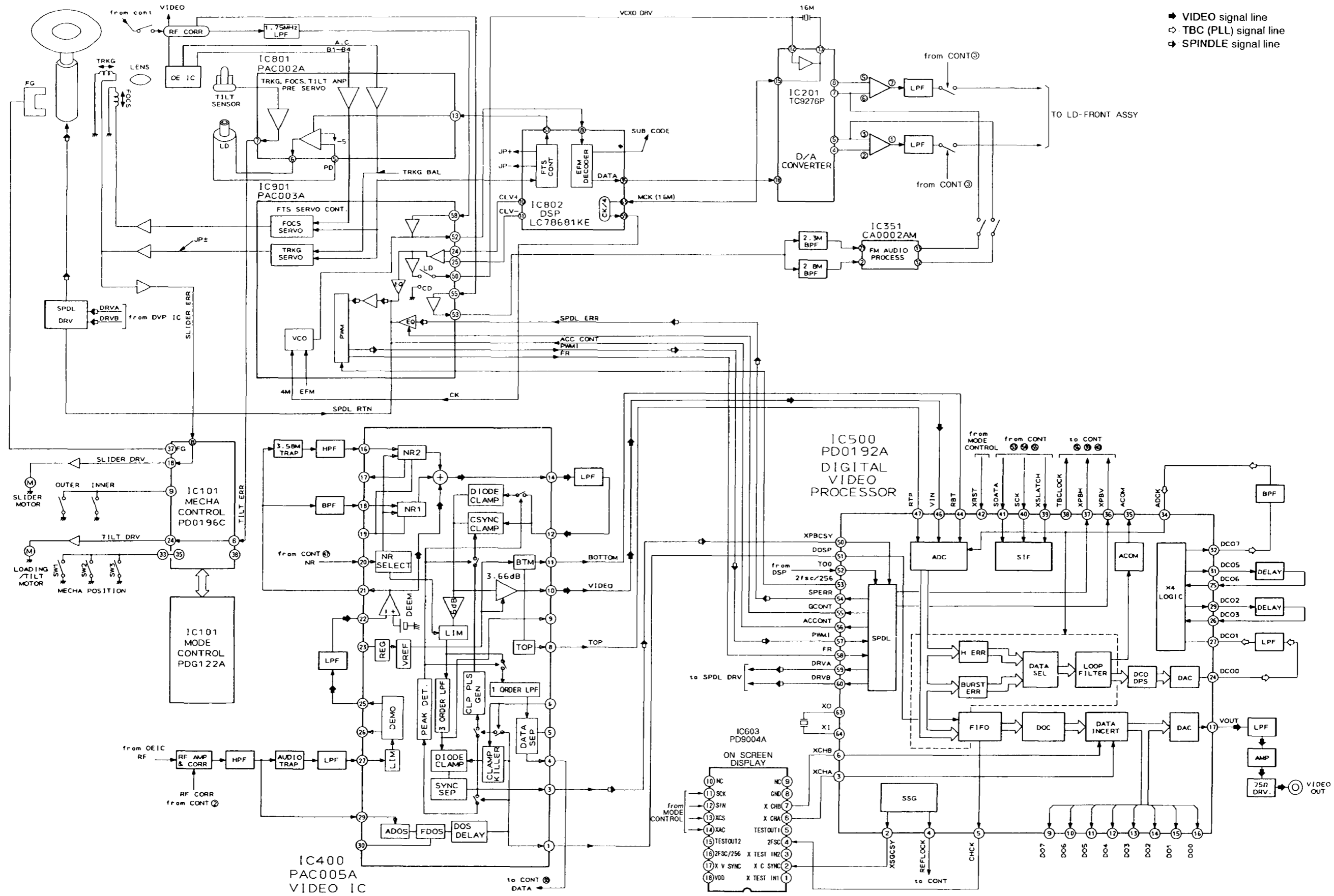
F1, F2 : Filament
NP : No pin
NX : No extend pin
DL : Datum Line
1G~3G : Grid

• ANODE CONNECTION

	3G	2G	1G
P1	<input checked="" type="checkbox"/> DOLBY SURROUND	S10	L R
P2	PRO-LOGIC	B1	C
P3	3ch LOGIC	B2	S
P4	REAR	B3	TEST
P5	LEVEL	B4	S2
P6	CENTER	B5	S3
P7	Lch Rch	B6	S4
P8	NORMAL	B7	S5
P9	PHANTOM	B8	S6
P10	FRONT 3WD	B9	S7
P11	-	B10	-
P12	-	B11	-
P13	-	B12	-
P14	-	B13	-
P15	-	B14	-
P16	-	S1	-

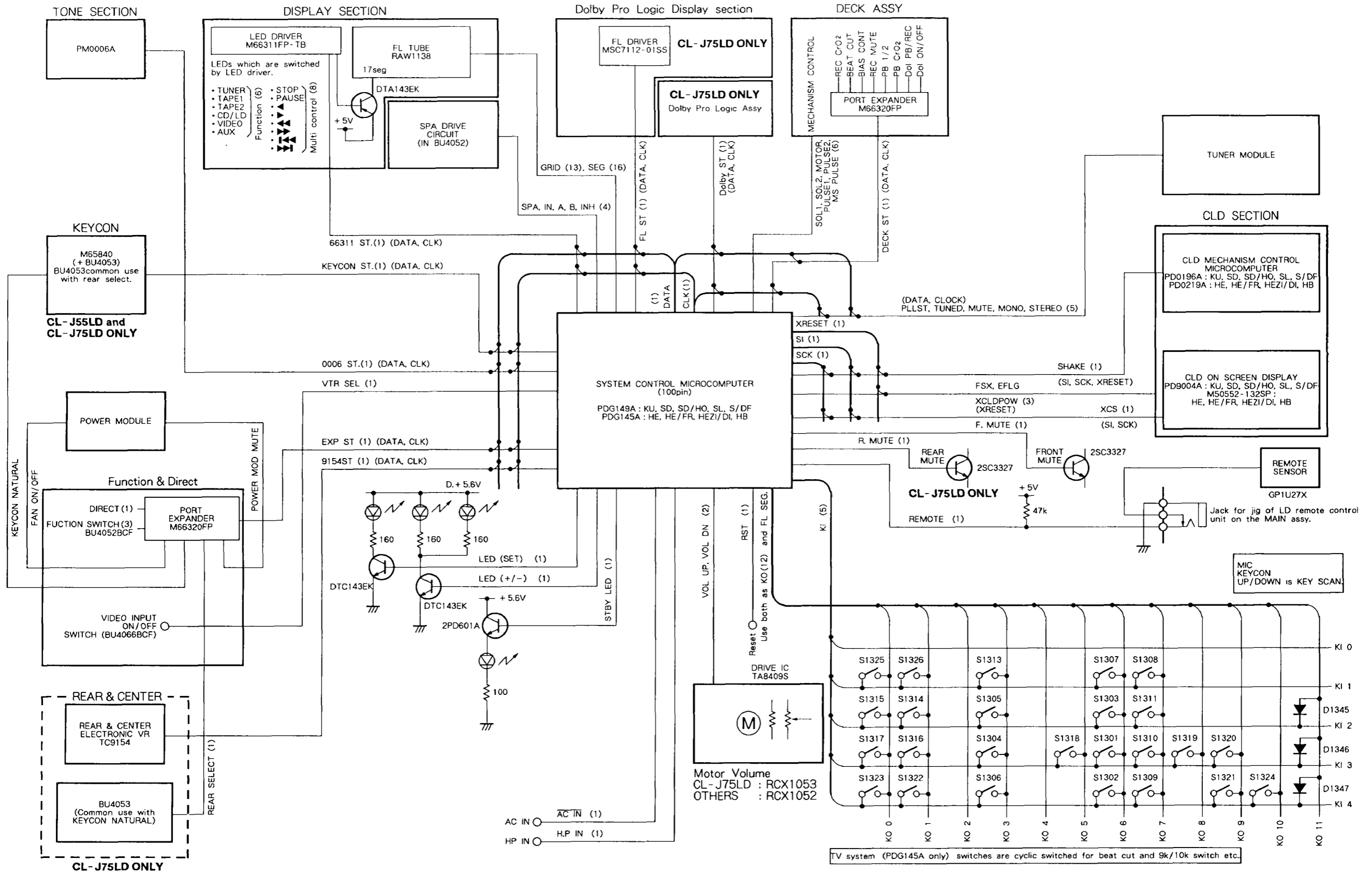
10. BLOCK DIAGRAMS

10.1 OVERALL BLOCK DIAGRAM



- ◆ VIDEO signal line
- TBC (PLL) signal line
- ◊ SPINDLE signal line

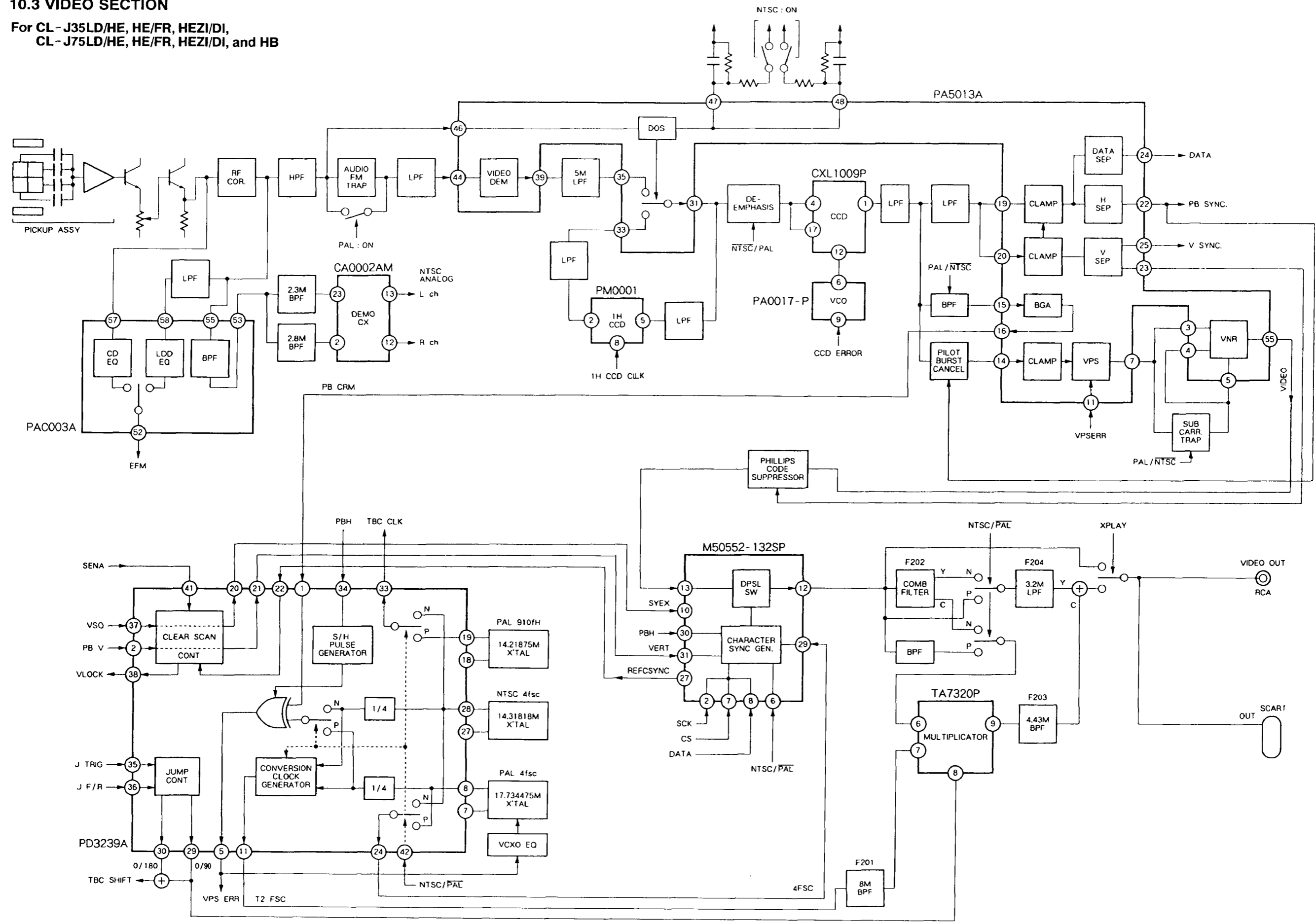
10.2 MICROCOMPUTER CONNECTION BLOCK DIAGRAM



TV system (PDG145A only) switches are cyclic switched for beat cut and 9k/10k switch etc.
* For the switches function and destination switch diode, refer to the schematic diagram.

10.3 VIDEO SECTION

For CL - J35LD/HE, HE/FR, HEZI/DI,
CL - J75LD/HE, HE/FR, HEZI/DI, and HB



11. FOR CL-J35LD/SD, SD/HO, SL, HE, HE/FR, HEZI/DI, CL-J55LD/SD, SD/HO, SL, S/DF, CL-J75LD/SD, SL, HE, HE/FR, HEZI/DI AND HB

11.1 CONTRAST OF MISCELLANEOUS PARTS

NOTES:

- Parts marked by "NSP" are generally unavailable because they are not in our Master Spare Parts List.
- The Δ mark found on some component parts indicates the importance of the safety factor of the part. Therefore, when replacing, be sure to use parts of identical designation.
- Parts marked by "⊙" are not always kept in stock. Their delivery time may be longer than usual or they may be unavailable.
- When ordering resistors, first convert resistance values into code form as shown in the following examples.

Ex.1 When there are 2 effective digits(any digit apart from 0), such as 560 ohm and 47k ohm(tolerance is shown by J=5%, and K=10%).

560 Ω \rightarrow 56 \times 10¹ \rightarrow 561..... RD1/8PM $\boxed{5}\boxed{6}\boxed{1}J$

47k Ω \rightarrow 47 \times 10³ \rightarrow 473..... RD1/4PS $\boxed{4}\boxed{7}\boxed{3}J$

0.5 Ω \rightarrow 0R5..... RN2H $\boxed{0}\boxed{R}\boxed{5}K$

1 Ω \rightarrow 010..... RSIP $\boxed{0}\boxed{1}\boxed{0}K$

Ex.2 When there are 3 effective digits(such as in high precision metal film resistors).

5.62k Ω \rightarrow 562 \times 10¹ \rightarrow 5621..... RN1/4PC $\boxed{5}\boxed{6}\boxed{2}\boxed{1}F$

LIST OF WHOLE PCB ASSEMBLIES

For CL-J35LD/SD, SD/HO, SL, HE, HE/FR, HEZI/DI, CL-J55LD/SD, SD/HO, SL, S/DF, CL-J75LD/SD, SL, HE, HE/FR, HEZI/DI and HB

Mark	PCB Assemblies	Part No.															Remarks
		CL-J35LD /KU	CL-J35LD /SD, SD/HO	CL-J35LD /SL	CL-J35LD /HE	CL-J35LD /HE/FR	CL-J35LD /HEZI/DI	CL-J55LD /SD, SD/HO	CL-J55LD /SL	CL-J55LD /S/DF	CL-J75LD /SD	CL-J75LD /SL	CL-J75LD /HE	CL-J75LD /HE/FR	CL-J75LD /HEZI/DI	CL-J75LD /HB	
NSP	AF ASSY	RWM1833	RWM1748	RWM1748	RWM1750	RWM1750	RWM1751	RWM1752	RWM1752	RWM1752	RWM1735	RWM1735	RWM1834	RWM1834	RWM1754	RWM1834	
	└ MAIN ASSY	RWZ3619	RWZ3330	RWZ3330	RWZ3596	RWZ3596	RWZ3332	RWZ3333	RWZ3333	RWZ3333	RWZ3314	RWZ3314	RWZ3314	RWZ3314	RWZ3334	RWZ3314	
	└ VOL ASSY	RWZ3593	RWZ3587	RWZ3587	RWZ3594	RWZ3594	RWZ3594	RWZ3593	RWZ3593	RWZ3593	RWZ3315	RWZ3315	RWZ3595	RWZ3595	RWZ3595	RWZ3595	
	└ DECK ASSY	RWZ3577	RWZ3337	RWZ3337	RWZ3577	RWZ3577	RWZ3577	RWZ3577	RWZ3577	RWZ3577	RWZ3577	RWZ3577	RWZ3577	RWZ3577	RWZ3577	RWZ3577	RWZ3577
NSP	└ TRANS ASSY	RWZ3317	RWZ3597	RWZ3597	RWZ3597	RWZ3597	RWZ3597	RWZ3597	RWZ3597	RWZ3597	RWZ3592	RWZ3592	RWZ3592	RWZ3592	RWZ3592	RWZ3592	
NSP	DISP ASSY	RWM1773	RWM1757	RWM1843	RWM1758	RWM1758	RWM1758	RWM1759	RWM1844	RWM1749	RWM1734	RWM1845	RWM1760	RWM1760	RWM1760	RWM1760	
NSP	└ PRIMARY ASSY	RWZ3377	RWZ3325	RWZ3620	RWZ3339	RWZ3339	RWZ3339	RWZ3325	RWZ3620	RWZ3325	RWZ3325	RWZ3620	RWZ3339	RWZ3339	RWZ3339	RWZ3339	
	└ U.COM ASSY	RWZ3376	RWZ3341	RWZ3341	RWZ3342	RWZ3342	RWZ3342	RWZ3318	RWZ3318	RWZ3470	RWZ3319	RWZ3319	RWZ3343	RWZ3343	RWZ3343	RWZ3343	
NSP	└ H.P. ASSY	RWZ3351	RWZ3351	RWZ3351	RWZ3351	RWZ3351	RWZ3351	RWZ3351	RWZ3351	RWZ3351	RWZ3316	RWZ3316	RWZ3316	RWZ3316	RWZ3316	RWZ3316	
	└ LD-FRONT ASSY	RWZ3344	RWZ3352	RWZ3352	RWZ3344	RWZ3344	RWZ3344	RWZ3321	RWZ3321	RWZ3321	RWZ3321	RWZ3321	RWZ3321	RWZ3321	RWZ3321	RWZ3321	
NSP	└ SPDR UNIT	RWZ3359	RWZ3359	RWZ3359	RWZ3360	RWZ3360	RWZ3360	RWZ3359	RWZ3359	RWZ3359	RWZ3359	RWZ3359	RWZ3360	RWZ3360	RWZ3360	RWZ3360	
	└ MIC ASSY	RWZ3346	RWZ3361	RWZ3361	RWZ3346	RWZ3346	RWZ3346	RWZ3322	RWZ3322	RWZ3322	RWZ3322	RWZ3322	RWZ3322	RWZ3322	RWZ3322	RWZ3322	
NSP	└ L-LED ASSY	Not used	Not used	Not used	Not used	Not used	Not used	Not used	Not used	Not used	Not used	RWZ3323	RWZ3323	RWZ3323	RWZ3323	RWZ3323	*
NSP	└ R-LED ASSY	Not used	Not used	Not used	Not used	Not used	Not used	Not used	Not used	Not used	Not used	RWZ3324	RWZ3324	RWZ3324	RWZ3324	RWZ3324	*
	└ DOLBY-FRONT ASSY	Not used	Not used	Not used	Not used	Not used	Not used	Not used	Not used	Not used	Not used	RWZ3327	RWZ3327	RWZ3327	RWZ3327	RWZ3327	*
	MOTH UNIT	RWM1764	RWM1764	RWM1764	Not used	Not used	Not used	RWM1765	RWM1765	RWM1765	RWM1765	RWM1765	Not used	Not used	Not used	Not used	
	└ FTAU UNIT	RWZ3357	RWZ3357	RWZ3357	Not used	Not used	Not used	RWZ3357	RWZ3357	RWZ3357	RWZ3357	RWZ3357	Not used	Not used	Not used	Not used	
	└ VIMC UNIT	RWZ3358	RWZ3358	RWZ3358	Not used	Not used	Not used	RWZ3348	RWZ3348	RWZ3348	RWZ3348	RWZ3348	Not used	Not used	Not used	Not used	
	FTAU UNIT	Not used	Not used	Not used	RWM1766	RWM1766	RWM1766	Not used	Not used	Not used	Not used	Not used	RWM1766	RWM1766	RWM1766	RWM1766	
	VSPT UNIT	Not used	Not used	Not used	RWM1762	RWM1762	RWM1762	Not used	Not used	Not used	Not used	Not used	RWM1762	RWM1762	RWM1762	RWM1762	*
	└ VSCB UNIT	Not used	Not used	Not used	RWZ3349	RWZ3349	RWZ3349	Not used	Not used	Not used	Not used	Not used	RWZ3349	RWZ3349	RWZ3349	RWZ3349	*
	└ PTCB UNIT	Not used	Not used	Not used	RWZ3350	RWZ3350	RWZ3350	Not used	Not used	Not used	Not used	Not used	RWZ3350	RWZ3350	RWZ3350	RWZ3350	*
	FM/AM TUNER MODULE	AXQ1012	AXQ1012	AXQ1012	AXQ1013	AXQ1013	AXQ1014	AXQ1012	AXQ1012	AXQ1016	AXQ1012	AXQ1012	AXQ1013	AXQ1013	AXQ1014	AXQ1013	
	POWER AMP. MODULE	AXQ7018	AXQ7018	AXQ7018	AXQ7018	AXQ7018	AXQ7018	AXQ7018	AXQ7018	AXQ7018	AXQ7020	AXQ7020	AXQ7020	AXQ7020	AXQ7020	AXQ7020	
	└ FRONT 50W ASSY	AWZ7517	AWZ7517	AWZ7517	AWZ7517	AWZ7517	AWZ7517	AWZ7517	AWZ7517	AWZ7517	AWZ7517	AWZ7517	AWZ7517	AWZ7517	AWZ7517	AWZ7517	
	└ REGULATOR ASSY	AWZ7560	AWZ7560	AWZ7560	AWZ7560	AWZ7560	AWZ7560	AWZ7560	AWZ7560	AWZ7560	Not used	Not used	Not used	Not used	Not used	Not used	
	└ REAR REGULATOR ASSY	Not used	Not used	Not used	Not used	Not used	Not used	Not used	Not used	Not used	AWZ7559	AWZ7559	AWZ7559	AWZ7559	AWZ7559	AWZ7559	*
	PRO-LOGIC ASSY	Not used	Not used	Not used	Not used	Not used	Not used	Not used	Not used	Not used	AWX7009	AWX7009	AWX7009	AWX7009	AWX7009	AWX7009	*

* : Refer to "3. EXPLODED VIEWS, PACKING AND PARTS LIST".

■ CONTRAST OF MISCELLANEOUS PARTS

(1) For CL-J35LD/SD, SD/HO, SL, HE, HE/FR and HEZI/DI

CL-J35LD/SD, SD/HO, SL, HE, HE/FR, HEZI/DI and CL-J35LD/KU have the same construction except for the following :

Mark	Symbol & Description	Part No.							Remarks
		CL-J35LD /KU	CL-J35LD /8D	CL-J35LD /SD/HO	CL-J35LD /SL	CL-J35LD /HE	CL-J35LD /HE/FR	CL-J35LD HEZI/DI	
	● Exterior and disc tray section								
	Badge	RAM1010	RAM1010	RAM1010	RAM1010	RAM1008	RAM1008	RAM1008	
	85 label	ORW1089	Not used	Not used	Not used	Not used	Not used	Not used	*
	Caution label	Not used	Not used	Not used	Not used	VRW1094	VRW1094	VRW1094	*
	● Main section (1/2)								
△	AC power cord	PDG1015	PDG1058	VDG1062	PDG1003	PDG1003	PDG1003	PDG1003	
	Strain relief	CM-22C	CM-22B	CM-22B	CM-22B	CM-22B	CM-22B	CM-22B	
△	Fuse (FU1 : T4AL250V)	Not used	AEK1080	AEK1080	AEK1080	Not used	Not used	Not used	
△	Fuse (FU1 : T1.25AL250V)	Not used	Not used	Not used	Not used	REK-101	REK-101	REK-101	
△	Fuse (FU1 : 2.5A)	REK1079	Not used	Not used	Not used	Not used	Not used	Not used	
△	Fuse (FU2, FU3 : T1.25AL250V)	Not used	REK-101	REK-101	REK-101	Not used	Not used	Not used	*
△	Fuse (FU4, FU5 : T2.5AL250V)	Not used	AEK1058	AEK1058	AEK1058	AEK1058	AEK1058	AEK1058	*
△	Fuse (FU4, FU5 : 4A)	REK1082	Not used	Not used	Not used	Not used	Not used	Not used	*
△	Fuse (FU6 : T1.6A)	Not used	AEK1058	AEK1058	AEK1058	AEK1058	AEK1058	AEK1058	*
	Ceramic capacitor (C9001)	Not used	Not used	Not used	Not used	Not used	Not used	CCDSL151J50	*
	Mic knob (MIC LEVEL 1)	Not used	RAC1936	RAC1936	RAC1936	Not used	Not used	Not used	*
	Tapping screw	Not used	Not used	Not used	Not used	Not used	Not used	RBA-090	*
	Caution label	Not used	Not used	Not used	PRW1018	Not used	Not used	Not used	*
	Caution label (G)	Not used	Not used	Not used	VRW-329	VRW-329	VRW-329	VRW-329	*
NSP	Label (Fuse)	RRW1189	Not used	Not used	Not used	Not used	Not used	Not used	
NSP	Label (Fuse)	RRW1198	Not used	Not used	Not used	Not used	Not used	Not used	
	● Main section (2/2)								
△	Voltage selector (AC115/120/220-230/240V)	Not used	AKX-507	AKX-507	AKX-507	Not used	Not used	Not used	*
	Lead card 26P	RDD1315	RDD1315	RDD1315	RDD1315	Not used	Not used	Not used	*
	Lead card 26P	Not used	Not used	Not used	Not used	RDD1329	RDD1329	RDD1329	*
	Lead card 30P	Not used	Not used	Not used	Not used	RDD1320	RDD1320	RDD1320	*
NSP	Rear panel	RNA1940	RNA1935	RNA1935	RNA1936	RNA1941	RNA1941	RNA1942	*
NSP	Protect sheet	Not used	Not used	Not used	Not used	REC1257	REC1257	REC1257	*
	PCB holder	Not used	Not used	Not used	Not used	VEC1624	VEC1624	VEC1624	*
	● Front panel section (2/2)								
NSP	Getter	RAX1023	RAX1020	RAX1020	RAX1020	RAX1018	RAX1018	RAX1019	
	Front panel	REA1174	REA1172	REA1172	REA1172	REA1173	REA1173	REA1173	
	● Packing								
	FM Antenna	ADH1017	ADH1017	ADH1017	ADH1017	Not used	Not used	Not used	
	FM antenna assy	Not used	Not used	Not used	Not used	ADH1019	ADH1019	ADH1019	*
	Pin jack connection plug	Not used	AKM1081	AKM1081	AKM1081	Not used	Not used	Not used	*
	Packing case	RHG1661	RHG1658	RHG1658	RHG1658	RHG1662	RHG1662	RHG1662	*
	Operating instructions (English/Spanish/Chinese)	RRE1117	RRE1117	RRE1117	RRE1117	Not used	Not used	Not used	
	Operating instructions (German/Italian)	Not used	Not used	Not used	Not used	RRD1158	Not used	RRD1158	*
	Operating instructions (English)	Not used	Not used	Not used	Not used	RRB1158	Not used	Not used	*
	Operating instructions (Dutch/Swedish/Spanish/Portuguese)	Not used	Not used	Not used	Not used	RRD1159	Not used	Not used	*
	Operating instructions (French)	Not used	Not used	Not used	Not used	RRD1161	RRD1161	Not used	*
	Caution sheet (UC)	VRR1020	VRR1020	VRR1020	VRR1020	Not used	Not used	Not used	

* : Refer to "3. EXPLODED VIEWS, PACKING AND PARTS LIST".

(2) For CL-J55LD/SD, SD/HO, SL and S/DF

CL-55LD/SD, SD/HO, SL, S/DF and CL-J35LD/KU have the same construction except for the following :

Mark	Symbol & Description	Part No.					Remarks
		CL-J35LD /KU	CL-J55LD /SD	CL-J55LD /SD/HO	CL-J55LD /SL	CL-J55LD /S/DF	
	<ul style="list-style-type: none"> ● Exterior and disc tray section 65 label 	ORW1069	Not used	Not used	Not used	Not used	
	<ul style="list-style-type: none"> ● Main section (1/2) 						
△	AC power cord	PDG1015	PDG1056	VDG1062	PDG1003	PDG1056	
	Strain relief	CM-22C	CM-22B	CM-22B	CM-22B	CM-22B	
△	Power transformer (AC120V or AC110-115/120-127/220-230/240V)	RTT1282	RTT1282	RTT1282	RTT1282	Not used	
△	Power transformer (AC110-115/120-127/220-230/240V)	Not used	Not used	Not used	Not used	RTT1281	
△	Fuse (FU1 : T4AL250V)	Not used	AEK1080	AEK1080	AEK1080	AEK1080	
△	Fuse (FU1 : 2.5A)	REK1079	Not used	Not used	Not used	Not used	
△	Fuse (FU2, FU3 : T1.25AL250V)	Not used	REK-101	REK-101	REK-101	REK-101	*
△	Fuse (FU4, FU5 : T2.5AL250V)	Not used	AEK1058	AEK1058	AEK1058	AEK1058	
△	Fuse (FU4, FU5 : 4A)	REK1082	Not used	Not used	Not used	Not used	
△	Fuse (FU6 : T1.6A)	Not used	AEK1056	AEK1056	AEK1056	AEK1056	*
	Caution label	Not used	Not used	Not used	PRW1018	Not used	*
	Caution label (G)	Not used	Not used	Not used	VRW-329	Not used	*
NSP	Label (Fuse)	RRW1199	Not used	Not used	Not used	Not used	
NSP	Label (Fuse)	RRW1198	Not used	Not used	Not used	Not used	
	Mic knob (ECHOR LEVEL, MIC LEVEL 1)	Not used	RAC1936	RAC1936	RAC1936	RAC1936	*
	<ul style="list-style-type: none"> ● Main section (2/2) 						
△	Voltage selector (AC115/120/220-230/240V)	Not used	AKX-507	AKX-507	AKX-507	AKX-507	*
NSP	Rear panel	RNA1940	RNA1937	RNA1937	RNA1938	RNA1937	
	<ul style="list-style-type: none"> ● Front panel section (2/2) 						
NSP	Getter	RAX1023	RAX1021	RAX1021	RAX1021	RAX1021	
	Front panel	REA1174	REA1175	REA1175	REA1175	REA1175	
	<ul style="list-style-type: none"> ● Packing 						
	Packing case	RHG1661	RHG1659	RHG1659	RHG1659	RHG1659	

* : Refer to "3. EXPLODED VIEWS, PACKING AND PARTS LIST".

(3) For CL-J75LD/SD, SL, HE, HE/FR, HEZI/DI and HB

CL-J75LD/SD, SL, HE, HE/FR, HEZI/DI, HB and CL-J35LD/KU have the same construction except for the following :

Mark	Symbol & Description	Part No.							Remarks
		CL-J35LD /KU	CL-J75LD /SD	CL-J75LD /SL	CL-J75LD /HE	CL-J75LD /HE/FR	CL-J75LD HEZI/DI	CL-J75LD /HB	
	<ul style="list-style-type: none"> ● Exterior and disc tray section 								
	Bonnet	REA1143	REA1154	REA1154	REA1154	REA1154	REA1154	REA1154	
	Badge	RAM1010	RAM1010	RAM1010	RAM1008	RAM1006	RAM1006	RAM1006	
	65 label	ORW1069	Not used	Not used	Not used	Not used	Not used	Not used	
NSP	Label (Fuse)	RRW1199	Not used	Not used	Not used	Not used	Not used	Not used	
NSP	Label (Fuse)	RRW1198	Not used	Not used	Not used	Not used	Not used	Not used	
	Caution label	Not used	Not used	Not used	PRW1094	PRW1094	PRW1094	Not used	*

* : Refer to "3. EXPLODED VIEWS, PACKING AND PARTS LIST".

Mark	Symbol & Description	Part No.							Remarks
		CL-J35LD /KU	CL-J75LD /SD	CL-J75LD /SL	CL-J75LD /HE	CL-J75LD /HE/FR	CL-J75LD HEZI/DI	CL-J75LD /HB	
	● Main section (1/2)								
△	AC power cord	PDG1015	PDG1058	PDG1003	PDG1003	PDG1003	PDG1003	PDG1055	*
△	Fuse (T5A)(For AC power cord)	Not used	Not used	Not used	Not used	Not used	Not used	PEK1003	
	Strain relief	CM-22C	CM-22B	CM-22B	CM-22B	CM-22B	CM-22B	CM-22B	
△	Power transformer (AC120V)	RTT1282	Not used	Not used	Not used	Not used	Not used	Not used	
△	Power transformer (AC110-115/120-127/220-230/240V)	Not used	RTT1283	RTT1283	RTT1283	RTT1283	RTT1283	RTT1283	
△	Fuse (FU1 : T4AL250V)	Not used	AEK1080	AEK1080	Not used	Not used	Not used	Not used	
△	Fuse (FU1 : T1.25AL250V)	Not used	Not used	Not used	REK-101	REK-101	REK-101	REK-101	
△	Fuse (FU1 : 2.5A)	REK1079	Not used	Not used	Not used	Not used	Not used	Not used	
△	Fuse (FU2, FU3 : T1.25AL250V)	Not used	REK-101	REK-101	Not used	Not used	Not used	Not used	*
△	Fuse (FU4, FU5 : T2.5AL250V)	Not used	AEK1058	AEK1058	AEK1058	AEK1058	AEK1058	AEK1058	
△	Fuse (FU4, FU5 : 4A)	REK1082	Not used	Not used	Not used	Not used	Not used	Not used	
△	Fuse (FU6 : T1.6A)	Not used	AEK1058	AEK1058	AEK1058	AEK1058	AEK1058	AEK1058	*
	Ceramic capacitor (C9001)	Not used	Not used	Not used	Not used	Not used	CCDSL151J50	Not used	*
NSP	PC suport	Not used	VEC1234	VEC1234	VEC1234	VEC1234	VEC1234	VEC1234	*
NSP	PCB holder	Not used	PNW2174	PNW2174	PNW2174	PNW2174	PNW2174	PNW2174	*
	Mic knob (ECHO LEVEL, MIC LEVEL 1)	Not used	RAC1936	RAC1936	RAC1936	RAC1936	RAC1936	RAC1936	*
	Tapping screw	Not used	Not used	Not used	Not used	Not used	RBA-090	Not used	*
	Caution label	Not used	Not used	PRW1018	Not used	Not used	Not used	PRW1018	*
	Caution label (G)	Not used	Not used	PRW-329	PRW-329	PRW-329	PRW-329	PRW-329	*
	● Main section (2/2)								
△	Voltage selector (AC115/120/220-230/240V)	Not used	AKX-507	AKX-507	Not used	Not used	Not used	Not used	*
	Lead card 28P	RDD1315	RDD1315	RDD1315	Not used	Not used	Not used	Not used	
	Lead card 26P	Not used	Not used	Not used	RDD1329	RDD1329	RDD1329	RDD1329	*
	Lead card 30P	Not used	Not used	Not used	RDD1320	RDD1320	RDD1320	RDD1320	*
NSP	Rear panel	RNA1940	Not used	Not used	Not used	Not used	Not used	Not used	*
NSP	Rear panel 2	Not used	RNA1895	RNA1896	RNA1897	RNA1897	RNA1899	RNA1898	*
NSP	Protect sheet	Not used	Not used	Not used	REC1257	REC1257	REC1257	REC1257	*
	PCB holder	Not used	Not used	Not used	VEC1824	VEC1824	VEC1824	VEC1824	*
	● Power amp. module section								
	Fan motor	AXM1019	AXM7003	AXM7003	AXM7003	AXM7003	AXM7003	AXM7003	
△	Transistor (Q7111, Q7112)	Not used	2SB1274	2SB1274	2SB1274	2SB1274	2SB1274	2SB1274	*
△	Transistor (Q7113, Q7114)	Not used	2SD1913	2SD1913	2SD1913	2SD1913	2SD1913	2SD1913	*
	● Front panel section (1/2)								
	P-BASS knob (SPEAKER BALANCE)	Not used	AAB1311	AAB1311	AAB1311	AAB1311	AAB1311	AAB1311	*
	Mode button (DOLBY MODE)	Not used	RAC1970	RAC1970	RAC1970	RAC1970	RAC1970	RAC1970	*
	Surround button (CENTER MODE)	Not used	RAC1971	RAC1971	RAC1971	RAC1971	RAC1971	RAC1971	*
	Display window 2	Not used	RAH2500	RAH2500	RAH2500	RAH2500	RAH2500	RAH2500	*
	● Front panel section (2/2)								
NSP	Getter	RAX1023	RAX1022	RAX1022	RAX1018	RAX1018	RAX1017	RAX1018	
	Front panel	REA1174	REA1176	REA1176	REA1177	REA1177	REA1177	REA1177	
	Front panel 2	Not used	RNT1214	RNT1214	RNT1214	RNT1214	RNT1214	RNT1214	
	Spot lens	Not used	RNK1847	RNK1847	RNK1847	RNK1847	RNK1847	RNK1847	
	● Packing								
	Remote control unit	RPX1084	RPX1087	RPX1087	RPX1087	RPX1087	RPX1087	RPX1087	
	Battery lid	AZA7050	AZN2099	AZN2099	AZN2099	AZN2099	AZN2099	AZN2099	
	FM antenna	ADH1017	ADH1017	ADH1017	Not used	Not used	Not used	Not used	
	FM antenna assy	Not used	Not used	Not used	ADH1019	ADH1019	ADH1019	ADH1019	
	Pad F	RHA1180	Not used	Not used	Not used	Not used	Not used	Not used	
	Pad 2F	Not used	RHA1170	RHA1170	RHA1170	RHA1170	RHA1170	RHA1170	
	Pad R	RHA1181	Not used	Not used	Not used	Not used	Not used	Not used	
	Pad 2R	Not used	RHA1171	RHA1171	RHA1171	RHA1171	RHA1171	RHA1171	
	Packing case	RHG1861	Not used	Not used	Not used	Not used	Not used	Not used	
	Packing case 2	Not used	RHG1826	RHG1826	RHG1827	RHG1827	RHG1827	RHG1827	
	Operating instructions (English)	Not used	Not used	Not used	RRB1158	Not used	Not used	RRB1158	*
	Operating instructions (English/Spanish/Chinese)	RRE1117	RRE1117	RRE1117	Not used	Not used	Not used	Not used	
	Operating instructions (German/Italian)	Not used	Not used	Not used	RRD1158	Not used	RRD1158	Not used	*
	Operating instructions (Dutch/Swedish/Spanish/Portuguese)	Not used	Not used	Not used	RRD1159	Not used	Not used	Not used	*
	Operating instructions (French/German/Italian/Dutch/Swedish/Portuguese)	Not used	Not used	Not used	RRD1180	RRD1180	RRD1180	Not used	*
	Operating instructions (French)	Not used	Not used	Not used	RRD1181	RRD1181	Not used	Not used	*
	Additional instructions (English/Spanish/Chinese)	Not used	RRE1118	RRE1118	RRE1118	Not used	Not used	RRE1118	*
	Caution (UC)	VRR1020	VRR1020	VRR1020	Not used	Not used	Not used	VRR1020	

* : Refer to "3. EXPLODED VIEWS, PACKING AND PARTS LIST".

■ CONTRAST OF PCB ASSEMBLIES

● MAIN ASSY(RWZ3596, RWZ3330 AND RWZ3332)

RWZ3596, RWZ3330, RWZ3332 and RWZ3619 have the same construction except for the following :

Mark	Symbol & Description	Part No.				Remarks
		RWZ3619	RWZ3596	RWZ3330	RWZ3332	
	IC1021 D1031 L1001, L1002 C1001 - C1008 C1013, C1014	Not used Not used Not used Not used Not used	Not used Not used Not used Not used Not used	XRA4558F - P Not used Not used Not used Not used	Not used Not used ATH - 059 CKSQYB391K50 CCSQCH470J50	
	C1017, C1018 C1099 C1101, C1102 C1103, C1104 C1132, C1133	Not used Not used Not used Not used Not used	Not used Not used Not used Not used Not used	Not used CEANP4R7M50 Not used Not used Not used	CKSQYB471K50 Not used CKSQYF473Z50 CKSQYB333K50 CKDYB821K50	
△	R1019, R1020 R1135, R1136 R1153, R1154 R1155, R1156 CN1013 2P pin jack	Not used Not used Not used Not used Not used	Not used Not used Not used Not used Not used	RS1/10S101J Not used RS1/10S223J RS1/10S102J AKB1146	Not used RD1/4LMF101J Not used Not used Not used	
	CN1014 4P speaker terminal CN1020 4P pin jack	RKE1005 Not used	AKE1026 Not used	AKE1026 RKB1035	AKE7001 Not used	

Mark	No.	Description	Part No.	Mark	No.	Description	Part No.
● MAIN ASSY(RWZ3333)				CAPACITORS			
SEMICONDUCTORS							
		IC1002, IC1014	BU4052BCF			C1067, C1068	CCSQCH100D50
		IC1007, IC1505	BU4053BCF			C1123	CCSQCH101J50
		IC1001	BU4066BCF			C1048, C1058	CCSQCH391J50
△		IC1022, IC1023	ICP - N50			C1059	CCSQCH471J50
		IC1012	M65840SP			C1513	CCSQL101J50
		IC1013	M66320FP			C1098	CEANP100M50
		IC1006	PM0006A			C1083	CEANP101M35
		IC1003, IC1005	UPC4570G2			C1112	CEANP101M6R3
		IC1004, IC1011, IC1015, IC1016	XRA4558F-P			C1099	CEANP4R7M50
		IC1501-IC1504	XRA4558F-P			C1113	CEAS010M50
		Q1027, Q1028	2PB709A			C1020, C1021, C1025, C1027, C1028	CEAS100M50
		Q1020, Q1021	2PD601A			C1032	CEAS100M50
		Q1011	2SA1515			C1127	CEAS101M10
△		Q1004	2SB560			C1084	CEAS101M63
		Q1024	2SC3327			C1088	CEAS102M35
		Q1007	2SC3377			C1125	CEAS221M6R3
△		Q1001	2SD438			C1044, C1052	CEAS2R2M50
		Q1014, Q1025	DTA124EK			C1087	CEAS332M35
		Q1008	DTA143EK			C1069, C1070	CEAS470M10
		Q1029	DTC124EK			C1085	CEAS470M50
		Q1012	DTC143EK			C1503, C1504	CEASR33M50
△		D1008, D1009, D1030, D1032, D1033	11ES2			C1128	CEJA101M10
		D1003, D1004, D1006, D1014, D1015	ISS254			C1022, C1029, C1075, C1080	CKSQYB102K50
		D1026-D1029	ISS254			C1517, C1518	CKSQYB102K50
△		D1010	D2SBA20(B)			C1124	CKSQYB103K50
△		D1012	D3SBA20(A)			C1050, C1062	CKSQYB152K50
		D1005	MTZJ10B			C1073, C1078	CKSQYB153K50
		D1007	MTZJ30B			C1514-C1516	CKSQYB183K50
		D1017	MTZJ5. 1B			C1100	CKSQYB222K50
		D1016	MTZJ5. 6B			C1505, C1506	CKSQYB272K50

Mark	No.	Description	Part No.
	C1076, C1081		CKSQYB471K50
	C1074, C1079		CKSQYB472K50
	C1507-C1512		CKSQYB561K50
	C1019, C1045-C1047, C1049		CKSQYB562K50
	C1053, C1054, C1060, C1061		CKSQYB562K50
	C1030, C1031, C1501, C1502		CKSQYB683K25
	C1023, C1024		CKSQYB822K50
	C1015, C1016, C1094, C1095		CKSQYF103Z50
	C1026, C1033, C1034, C1071		CKSQYF104Z50
	C1096, C1097, C1115-C1118		CKSQYF104Z50
	C1072, C1077		CKSQYF473Z50
	C1055-C1057		CQMA104J50
	C1051, C1063		CQMA333J50
	C1064-C1066		CQMA683J50
	C1091, C1092 (3300/50V)		RCH1129

RESISTORS

	R1098		RD1/2PM103J
△	R1104		RD1/2PMF272J
△	R1178, R1179		RD1/4PM181J
	R1100		RD1/6PM472J
△	R1101, R1102		RFA1/4PS470J
△	R1103		RFA1/4PS4R7J
△	R1099, R1236		RS1LMF122J
△	R1195		RS2LMF121J
△	R1087, R1088		RS2LMFR22J
△	R1194		RS3LMF390J
	Other Resistors		RS1/10S□□□J

OTHERS

	10P CABLE HOLDER		51052-1000
	16P CABLE HOLDER		51052-1600
	5P CABLE HOLDER		51063-0505
	12P CABLE HOLDER		51063-1205
CN1001	34P FFC CONNECTOR		9604S-34C
CN1013	2P PIN JACK		AKB1146
CN1014	4P SPEAKER TERMINAL		AKE1026
CN1012	6P JUMPER CONNECTOR		KPC6
CN1017	15P JUMPER CONNECTOR		KPE15
CN1009	8P JUMPER CONNECTOR		KPE8
X1001	CERAMIC RESONATOR		PSS1010
CN1015	3P PIN JACK		RKB1036
CN1016	3P PIN JACK		RKB1037
JA1001	REMOTE CONTROL JACK		RKN1004
KN1001	EARTH METAL FITTING		VNF1084
CN1003	14P PLUG		KM200IA14
CN1010	20P PLUG		KM200IA20
J1009	JUMPER WIRE		D15A05-200-2468

MAIN ASSY(RWZ3314)

SEMICONDUCTORS

	IC1002, IC1014		BU4052BCF
	IC1007, IC1505		BU4053BCF
	IC1001		BU4066BCF
△	IC1022, IC1023		ICP-N50
	IC1012		M65840SP
	IC1013		M66320FP
	IC1006		PM0006A
	IC1008		TC9154AP
	IC1003, IC1005		UPC4570G2
	IC1004, IC1009-IC1011, IC1015, IC1016		XRA4558F-P
	IC1501-IC1504		XRA4558F-P
	Q1027, Q1028		2PB709A
	Q1020, Q1021		2PD601A
	Q1011		2SA1515
△	Q1004		2SB560
	Q1024		2SC3327
	Q1007		2SC3377
△	Q1001		2SD438
	Q1014, Q1025		DTA124EK
	Q1008		DTA143EK
	Q1026, Q1029		DTC124EK
	Q1012		DTC143EK
△	D1008, D1009, D1030, D1032, D1033		11ES2
	D1001, D1002		1SS226
	D1003, D1004, D1006, D1014, D1015		1SS254
	D1026-D1029		1SS254
△	D1010, D1011		D2SBA20(B)
△	D1012		D3SBA20(A)
	D1005		MTZJ10B
	D1007		MTZJ30B
	D1017		MTZJ5. 1B
	D1016		MTZJ5. 6B
	COILS		
	L1005, L1006		LAU220J
	CAPACITORS		
	C1067, C1068		CCSQCH100D50
	C1123		CCSQCH101J50
	C1048, C1058		CCSQCH391J50
	C1059		CCSQCH471J50
	C1035, C1036		CCSQCH820J50
	C1513		CCSLSL101J50
	C1098		CEANP100M50
	C1083		CEANP101M35
	C1112		CEANP101M6R3
	C1113		CEAS010M50
	C1020, C1021, C1025, C1027, C1028		CEAS100M50
	C1032		CEAS100M50
	C1127		CEAS101M10
	C1084		CEAS101M63
	C1088-C1090		CEAS102M35
	C1125		CEAS221M6R3
	C1044, C1052		CEAS2R2M50
	C1087 (3300/35V)		RCH1132
	C1069, C1070		CEAS470M10
	C1085		CEAS470M50

Mark	No.	Description	Part No.
	C1503, C1504 C1128 C1022, C1029, C1075, C1080 C1517, C1518 C1124		CEASR33M50 CEJA101M10 CKSQYB102K50 CKSQYB102K50 CKSQYB103K50
	C1050, C1062 C1073, C1078 C1514-C1516 C1100 C1505, C1506		CKSQYB152K50 CKSQYB153K50 CKSQYB183K50 CKSQYB222K50 CKSQYB272K50
	C1043 C1076, C1081 C1074, C1079 C1507-C1512 C1019, C1045-C1047, C1049		CKSQYB331K50 CKSQYB471K50 CKSQYB472K50 CKSQYB561K50 CKSQYB562K50
	C1053, C1054, C1060, C1061 C1030, C1031, C1501, C1502 C1023, C1024 C1015, C1016, C1094, C1095 C1026, C1033, C1034, C1071		CKSQYB562K50 CKSQYB683K25 CKSQYB822K50 CKSQYF103Z50 CKSQYF104Z50
	C1037, C1038 C1096, C1097, C1115-C1122 C1041, C1042, C1072 C1077 C1055-C1057		CKSQYF224Z25 CKSQYF104Z50 CKSQYF473Z50 CKSQYF473Z50 CQMA104J50
	C1051, C1063 C1064-C1066 C1091, C1092 (3300/50V)		CQMA333J50 CQMA683J50 RCH1129
RESISTORS			
	R1098 △ R1104 △ R1178, R1179 R1100 △ R1101, R1102 △ R1103 △ R1099, R1236 △ R1089, R1090 △ R1195 △ R1087, R1088 △ R1194 Other Resistors		RD1/2PM103J RD1/2PMF272J RD1/4PM181J RD1/6PM472J RFA1/4PS470J RFA1/4PS4R7J RS1LMF122J RS1LMFR22J RS2LMF121J RS2LMFR22J RS3LMF390J RS1/10S□□□J
OTHERS			
	8P CABLE HOLDER 10P CABLE HOLDER 16P CABLE HOLDER 5P CABLE HOLDER 12P CABLE HOLDER		51052-0800 51052-1000 51052-1600 51063-0505 51063-1205
	CN1002 3P JUMPER CONNECTOR CN1001 34P FFC CONNECTOR CN1013 3P PIN JACK CN1014 4P SPEAKER TERMINAL CN1012 6P JUMPER CONNECTOR CN1017 15P JUMPER CONNECTOR CN1009 8P JUMPER CONNECTOR X1001 CERAMIC RESONATOR CN1015 3P PIN JACK CN1016 3P PIN JACK		52151-0310 9604S-34C AKB1120 AKE1026 KPC6 KPE15 KPE8 PSS1010 RKB1036 RKB1037

Mark	No.	Description	Part No.
	JA1001 KN1001 CN1003 CN1005 CN1010	REMOTE CONTROL JACK EARTH METAL FITTING 14P PLUG 18P PLUG 20P PLUG	RKN1004 VNF1084 KM200IA14 KM200IA18 KM200IA20
	J1009	JUMPER WIRE	D15A05-200-2468
• MAIN ASSY(RWZ3334)			
SEMICONDUCTORS			
	IC1002, IC1014 IC1007, IC1505 IC1001 △ IC1022, IC1023 IC1012 IC1013 IC1006 IC1008 IC1003, IC1005 IC1004, IC1009-IC1011, IC1015, IC1016 IC1501-IC1504 Q1027, Q1028 Q1020, Q1021 Q1011 △ Q1004 Q1024 Q1007 △ Q1001 Q1014, Q1025 Q1008 Q1026, Q1029 Q1012 △ D1008, D1009, D1030, D1032, D1033 D1001, D1002 D1003, D1004, D1006, D1014, D1015 D1026-D1029 △ D1010, D1011 △ D1012 D1005 D1007 D1017 D1016	BU4052BCF BU4053BCF BU4066BCF ICP-N50 M65840SP M66320FP PM0006A TC9154AP UPC4570G2 XRA4558F-P XRA4558F-P 2PB709A 2PD601A 2SA1515 2SB560 2SC3327 2SC3377 2SD438 DTA124EK DTA143EK DTC124EK DTC143EK 11ES2 1SS226 1SS254 1SS254 D2SBA20 (B) D3SBA20 (A) MTZJ10B MTZJ30B MTZJ5. 1B MTZJ5. 6B	
COILS			
	L1001-L1004 L1005, L1006		ATH-059 LAU220J
CAPACITORS			
	C1067, C1068 C1123 C1048, C1058 C1013, C1014 C1059 C1035, C1036 C1513 C1098 C1083 C1112		CCSQCH100D50 CCSQCH101J50 CCSQCH391J50 CCSQCH470J50 CCSQCH471J50 CCSQCH820J50 CCSQL101J50 CEANP100M50 CEANP101M35 CEANP101M6R3

Mark	No.	Description	Part No.
	C1113		CEAS010M50
	C1020, C1021, C1025, C1027, C1028		CEAS100M50
	C1032		CEAS100M50
	C1127		CEAS101M10
	C1084		CEAS101M63
	C1088-C1090		CEAS102M35
	C1125		CEAS221M6R3
	C1044, C1052		CEAS2R2M50
	C1087 (3300/35V)		RCH1132
	C1069, C1070		CEAS470M10
	C1085		CEAS470M50
	C1503, C1504		CEASR33M50
	C1128		CEJA101M10
	C1132, C1133		CKDYB821K50
	C1022, C1029, C1075, C1080		CKSQYB102K50
	C1517, C1518		CKSQYB103K50
	C1124		CKSQYB152K50
	C1050, C1062		CKSQYB153K50
	C1073, C1078		CKSQYB183K50
	C1514-C1516		CKSQYB222K50
	C1100		CKSQYB272K50
	C1505, C1506		CKSQYB331K50
	C1043		CKSQYB333K50
	C1103, C1104, C1107, C1108		CKSQYB391K50
	C1001-C1008		CKSQYB471K50
	C1017, C1018, C1076, C1081		CKSQYB472K50
	C1074, C1079		CKSQYB561K50
	C1507-C1512		CKSQYB562K50
	C1019, C1045-C1047, C1049		CKSQYB562K50
	C1053, C1054, C1060, C1061		CKSQYB683K25
	C1030, C1031, C1501, C1502		CKSQYB822K50
	C1023, C1024		CKSQYF103Z50
	C1015, C1016, C1094, C1095		CKSQYF104Z50
	C1026, C1033, C1034, C1071		CKSQYF104Z50
	C1096, C1097, C1115-C1122		CKSQYF224Z25
	C1037, C1038		CKSQYF473Z50
	C1041, C1042, C1072		CKSQYF473Z50
	C1077, C1101, C1102, C1105, C1106		CQMA104J50
	C1055-C1057		CQMA333J50
	C1051, C1063		CQMA683J50
	C1064-C1066		RCH1129
	C1091, C1092 (3300/50V)		

RESISTORS

	R1098	RD1/2PM103J
△	R1104	RD1/2PMF272J
△	R1135-R1138	RD1/4LMF101J
△	R1178, R1179	RD1/4PM181J
	R1100	RD1/6PM472J
△	R1101, R1102	RFA1/4PS470J
△	R1103	RFA1/4PS4R7J
△	R1099, R1236	RS1LMF122J
△	R1089, R1090	RS1LMFR22J
△	R1195	RS2LMF121J
△	R1087, R1088	RS2LMFR22J
△	R1194	RS3LMF390J
	Other Resistors	RS1/10S□□□J

Mark	No.	Description	Part No.
OTHERS			
		8P CABLE HOLDER	51052-0800
		10P CABLE HOLDER	51052-1000
		16P CABLE HOLDER	51052-1600
		5P CABLE HOLDER	51063-0505
		12P CABLE HOLDER	51063-1205
	CN1002	3P JUMPER CONNECTOR	52151-0310
	CN1001	34P FFC CONNECTOR	9604S-34C
	CN1013	3P PIN JACK	AKB1120
	CN1014	4P SPEAKER TERMINAL	AKE7001
	CN1012	6P JUMPER CONNECTOR	KPC6
	CN1017	15P JUMPER CONNECTOR	KPE15
	CN1009	8P JUMPER CONNECTOR	KPE8
	X1001	CERAMIC RESONATOR	PSS1010
	CN1015	3P PIN JACK	RKB1036
	CN1016	3P PIN JACK	RKB1037
	JA1001	REMOTE CONTROL JACK	RKN1004
	KN1001	EARTH METAL FITTING	VNF1084
	CN1003	14P PLUG	KM2001A14
	CN1005	18P PLUG	KM2001A18
	CN1010	20P PLUG	KM2001A20
	J1009	JUMPER WIRE	D15A05-200-2468

● VOL ASSY(RWZ3587, RWZ3594, RWZ3595 AND RWZ3315)

RWZ3587, RWZ3594, RWZ3595, RWZ3315 and RWZ3593 have the same construction except for the following :

Mark	Symbol & Description	Part No.					Remarks
		RWZ3593	RWZ3587	RWZ3594	RWZ3595	RWZ3315	
	IC1803 Q1804 Q1805, Q1806 C1805, C1806 C1811, C1812	Not used Not used Not used CEZA2R2M50 Not used	Not used Not used Not used CEZA010M50 Not used	Not used Not used Not used CEZA2R2M50 Not used	XRA4558F-P DTA124EK 2SC3327 CEZA2R2M50 CEAS2R2M50	XRA4558F-P DTA124EK 2SC3327 CEZA2R2M50 CEAS2R2M50	
	C1813, C1814 C1815, C1816 C1823, C1824 C1833, C1844 C1839, C1840	Not used Not used Not used CKSQYB332K50 Not used	Not used Not used Not used CKSQYB333K50 Not used	Not used Not used Not used CKSQYB333K50 Not used	CEAS100M50 CEAS2R2M50 CCSQCH470J50 CKSQYB333K50 CKSQYB333K50	CEAS100M50 CEAS2R2M50 CCSQCH470J50 CKSQYB332K50 CKSQYB332K50	
	C1841, C1842 VR1801 R1809, R1810 R1811, R1812 R1819, R1820	Not used RCX1052 RS1/10S432J RS1/10S472J Not used	Not used RCX1052 RS1/10S432J RS1/10S472J Not used	Not used RCX1052 RS1/10S000J Not used Not used	CKSQYF473Z50 RCX1053 RS1/10S000J Not used RS1/10S472J	CKSQYF473Z50 RCX1053 RS1/10S432J RS1/10S472J RS1/10S472J	
	R1825, R1826 R1827, R1828 R1829, R1830 R1837, R1838 R1841, R1842	Not used Not used Not used Not used Not used	Not used Not used Not used Not used Not used	Not used Not used Not used Not used Not used	RS1/10S224J RS1/10S000J Not used RS1/10S101J RS1/10S102J	RS1/10S224J RS1/10S432J RS1/10S472J RS1/10S101J RS1/10S102J	
	R1844 R1845, R1846 R1849, R1850	Not used RS1/10S104J Not used	Not used RS1/10S333J Not used	Not used RS1/10S333J Not used	RS1/10S104J RS1/10S333J RS1/10S333J	RS1/10S104J RS1/10S104J RS1/10S104J	

● DECK ASSY(RWZ3337)

RWZ3337 and RWZ3577 have the same construction except for the following :

Mark	Symbol & Description	Part No.		Remarks
		RWZ3577	RWZ3337	
	Q4101, Q4102, Q4305, Q4306 Q4118, Q4117 Q4352 Q4531 D4901, D4904	2PD601A DTA124EK 2SA1515 DTC143EK 1SS254	Not used Not used Not used Not used Not used	
	C4109, C4110 C4305, C4306 C4351 R4109, R4110 R4111, R4112, R4307	CKSQYB821K50 CKSQYB273K50 CEAS470M16 RS1/10S473J RS1/10S103J	Not used Not used Not used Not used Not used	
	R4308, R4351 R4123, R4124 R4309, R4310 R4311, R4312 R4352	RS1/10S103J RS1/10S563J RS1/10S182J RS1/10S561J RS1/10S102J	Not used Not used Not used Not used Not used	
	CN4006, CN4007 KR connector	B2B-PH-K-S	Not used	

● **TRANS ASSY(RWZ3597 AND RWZ3592)**

RWZ3597, RWZ3592 and RWZ3317 have the same construction except for the following :

Mark	Symbol & Description	Part No.			Remarks
		RWZ3317	RWZ3597	RWZ3592	
△	IC1771, IC1773 H1755, H1756 Fuse holder	Not used Not used	Not used VKR1001	ICP - N75 VKR1001	

● **PRIMARY ASSY(RWZ3325, RWZ3339 AND RWZ3620)**

RWZ3325, RWZ3339, RWZ3620 and RWZ3377 have the same construction except for the following :

Mark	Symbol & Description	Part No.				Remarks
		RWZ3377	RWZ3325	RWZ3339	RWZ3620	
△ △ △	L1771 Line filter C1771 R1771 H1773-H1776 Fuse holder	ATF- 151 RCG- 009 ACN- 208 Not used	ATF- 151 RCG- 009 Not used VKR1001	ATF- 151 VCG- 048 Not used Not used	Not used RCG- 009 Not used VKR1001	

● **U.COM ASSY(RWZ3341, RWZ3342, RWZ3318, RWZ3470, RWZ3319 AND RWZ3343)**

RWZ3341, RWZ3342, RWZ3318, RWZ3470, RWZ3319, RWZ3343 and RWZ3376 have the same construction except for the following :

Mark	Symbol & Description	Part No.							Remarks
		RWZ3376	RWZ3341	RWZ3342	RWZ3318	RWZ3470	RWZ3319	RWZ3343	
	IC1301 Q1308, Q1307 D1345 D1346 D1347	PDG149A Not used Not used 1SS254 Not used	PDG149A Not used Not used Not used Not used	PDG145A Not used Not used Not used Not used	PDG149A 2PB709A 1SS254 Not used Not used	PDG149A 2PB709A 1SS254 Not used 1SS254	PDG149A 2PB709A Not used 1SS254 1SS254	PDG145A 2PB709A Not used 1SS254 1SS254	
	C1311, C1312 R1385 R1393, R1394 R1398, R1399 14P CABLE HOLDER	Not used RS1/10S102J Not used Not used Not used	Not used RS1/10S102J Not used Not used Not used	Not used RS1/10S102J Not used Not used Not used	CKSQYF103Z50 RS1/10S102J RS1/10S472J RS1/10S103J Not used	CKSQYF103Z50 RS1/10S102J RS1/10S472J RS1/10S103J Not used	CKSQYF103Z50 RS1/10S221J RS1/10S472J RS1/10S103J 51083 - 1405	CKSQYF103Z50 RS1/10S221J RS1/10S472J RS1/10S103J 51083 - 1405	

● **H.P. ASSY(RWZ3316)**

RWZ3316 and RWZ3351 have the same construction except for the following :

Mark	Symbol & Description	Part No.		Remarks
		RWZ3351	RWZ3316	
	CN1701 Mini jack	AKN1028	AKN1029	

● LD-FRONT ASSY(RWZ3352 AND RWZ3321)

RWZ3352, RWZ3321 and RWZ3344 have the same construction except for the following :

Mark	Symbol & Description	Part No.			Remarks
		RWZ3344	RWZ3352	RWZ3321	
	IC2102 S2101, S2102 S2103 L2101 C2104, C2106, C2107	Not used Not used RSG1034 Not used Not used	Not used Not used RSG1034 Not used Not used	M65830AFP - TF RSG1034 Not used LAU221J CEAS010M50	
	C2105, C2111 C2108, C2118 C2109 C2110 C2112, C2116	Not used Not used Not used Not used Not used	Not used Not used Not used Not used Not used	CKSQYF223Z50 CKSQYB123K50 CKSQYB182K50 CEANP010M50 CKSQYB683K25	
	C2113 C2114, C2115 C2117 C2121 C2122	Not used Not used Not used Not used Not used	Not used Not used Not used Not used Not used	CEAS470M10 CKSQYB104K25 CKSQYB122K50 CKSQYF104Z50 CEAS101M6R3	
	C2123, C2124 C2125 C2131 C2132 C2133, C2134	Not used Not used CCSQCH470J50 CCSQSL471J50 CKSQYF223Z50	Not used Not used Not used Not used Not used	CCSQCH331J50 CEAS100M50 CCSQCH470J50 CCSQSL471J50 CKSQYF223Z50	
	VR2101 VR2103 R2101 R2106 R2108, R2113, R2114, R2118	Not used Not used Not used Not used Not used	ACS1101 Not used RS1/10S103J Not used Not used	ACS1101 ACS1101 RS1/10S103J RS1/10S272J RS1/10S103J	
	R2112 R2115 R2116 R2117, R2119, R2124 R2121	Not used Not used Not used Not used Not used	Not used Not used Not used Not used Not used	RS1/10S473J RS1/10S300J RS1/10S302J RS1/10S153J RS1/10S105J	
	R2122 R2123 X2101 Ceramic resonator (500kHz)	Not used Not used Not used	Not used Not used Not used	RS1/10S332J RS1/10S154J DSS1011	

● SPDR UNIT(RWZ3360)

RWZ3360 and RWZ3359 have the same construction except for the following :

Mark	Symbol & Description	Part No.		Remarks
		RWZ3359	RWZ3360	
△	D1 D21, D22 C21, C22 C35- C38 R21, R22	S2VB20 Not used Not used Not used RD1/6PM332J	S4VB20F 1SS254 CKCYB272K50 CFTYA223J50 RD1/6PM562J	

● MIC ASSY(RWZ3361 AND RWZ3322)

RWZ3361, RWZ3322 and RWZ3346 have the same construction except for the following :

Mark	Symbol & Description	Part No.			Remarks
		RWZ3346	RWZ3361	RWZ3322	
C1601	Phone jack (MIC 1)	Not used	CKSQYB222K50	CKSQYB222K50	
C1603		Not used	CKSQYF104Z50	CKSQYF104Z50	
C1605		Not used	CEAS4R7M50	CEAS4R7M50	
C1607		Not used	CKSQYB182K50	CKSQYB182K50	
C1609		Not used	CEAS010M50	CEAS010M50	
C1614		Not used	Not used	CKSQYF103Z50	
R1601		Not used	RS1/10S471J	RS1/10S471J	
R1603		Not used	RS1/10S583J	RS1/10S583J	
R1605		RS1/10S000J	RS1/10S333J	RS1/10S333J	
R1607		Not used	RS1/10S331J	RS1/10S331J	
R1609		RS1/10S000J	RS1/10S472J	RS1/10S472J	
R1611		Not used	RS1/10S104J	RS1/10S104J	
R1613		Not used	RS1/10S101J	RS1/10S101J	
Mini jack		Not used	Not used	AKN1023	
HJ1601		Not used	AKN1019	AKN1019	

Mark No. Description Part No.

● L-LED ASSY(RWZ3323)

SEMICONDUCTORS
D1781-D1783 SEL6410E-TS

OTHERS
J1781 CONNECTOR ASSY 2P-2P RKP1710

● R-LED ASSY(RWZ3324)

SEMICONDUCTORS
D1791-D1793 SEL6410E-TS

OTHERS
J1791 CONNECTOR ASSY 2P-2P RKP1710

● DOLBY-FRONT ASSY(RWZ3327)

SEMICONDUCTORS
IC2001 MSC7112-01SS
Q2004 2PD601A
Q2001, Q2002 2SC3377
Q2003 DTA124ES

COIL
L2001 LAU220J

SWITCHES
S2001-S2005 RSG1034

CAPACITORS
C2001 CCSQCH101J50
C2006 CCSQCH220J50
C2007 CCSQCH560J50
C2005 CEAS470M16
C2002-C2004 CKSQYF473Z50

Mark No. Description Part No.

RESISTORS

R2007-R2009 RD1/6PM270J
R2001 RD1/6PM473J
R2002, R2003 RD1/6PM682J
VR2001 ACS1031
Other Resistors RS1/10S□□□J

OTHERS

V2001 3P CABLE HOLDER 51048-0300
14P CABLE HOLDER 51063-1405
FL TUBE AAV7001

● FTAU UNIT(RWM1766)

SEMICONDUCTORS
IC202, IC903, IC905 BA4560F
IC351 CA0002AM
IC802 LC78681KE
IC801 PAC002A
IC901 PAC003A

IC902 TA8410AK
IC201 TC9276P
Q201, Q202, Q805, Q903, Q904 2PD601A
Q907, Q909 2PD601A
Q834 2SA854S

Q152, Q803, Q918, Q919 2SC3802K
Q204, Q205 2SD2144S
Q208-Q210 UN2112
Q207, Q901, Q910 UN2212
D180, D801, D905, D963 1SS254

D201 KV1851

COILS

L206, L207, L351, L802-L804 LAU181J
L202, L205, L352 LAU220J
L805 LAU2R2J

Mark	No.	Description	Part No.
CAPACITORS			
	C809, C811		CCSQCH070D50
	C159, C311		CCSQCH100D50
	C370, C810, C846, C848, C891		CCSQCH101J50
	C161, C232, C353, C812		CCSQCH151J50
	C352, C806		CCSQCH180J50
	C813, C950		CCSQCH220J50
	C371, C931		CCSQCH270J50
	C354		CCSQCH330J50
	C220, C351		CCSQCH390J50
	C260-C263		CCSQCH470J50
	C258, C259, C375		CCSQCH680J50
	C374, C814		CCSQCH820J50
	C871		CEANP100M16
	C838		CEANP470M6R3
	C227, C281, C904		CEAS010M50
	C274, C275, C367, C917, C922		CEAS100M50
	C364		CEAS101M10
	C252, C253		CEAS101M6R3
	C987		CEAS220M25
	C845, C902, C926		CEAS2R2M50
	C255		CEAS331M6R3
	C230, C270, C271, C363, C369		CEAS470M10
	C801, C803, C833, C836, C842		CEAS470M10
	C844, C893, C927, C933		CEAS470M10
	C974, C975		CEAS470M10
	C850, C870		CEAS4R7M50
	C368, C913		CEASR47M50
	C967, C968		CEHAQ220M16
	C907, C914, C936		CKSQYB102K50
	C213, C235-C237, C251, C256		CKSQYB332K50
	C278, C282		CKSQYB332K50
	C361, C362		CKSQYB392K50
	C355-C358, C909		CKSQYB472K50
	C105, C214, C231, C234, C286		CKSQYF103Z50
	C372, C373, C376, C802, C804		CKSQYF103Z50

Mark	No.	Description	Part No.
	C807, C831, C832, C834, C835		CKSQYF103Z50
	C843, C872, C892, C894, C897		CKSQYF103Z50
	C918, C928, C929, C932		CKSQYF103Z50
	C937, C938, C961, C962, C964		CKSQYF103Z50
	C971, C982		CKSQYF103Z50
	C151, C365, C366, C840, C841		CKSQYF104Z25
	C847, C910-C912, C915, C981		CKSQYF104Z25
	C983		CKSQYF104Z25
	C837, C921, C930		CKSQYF223Z50
	C359, C360, C905, C951		CKSQYF224Z25
	C254, C305, C387, C808, C815		CKSQYF473Z25
	C925		CKSQYF473Z25
	C923		CQMA124J50
	C908		CQMA154J50
	C903		CQMA222J50
	C934		CQMA681J50
RESISTORS			
	R831, R832		RD1/6PM1R8J
	R987, R989		RN1/10SE103D
	R986, R990		RN1/10SE333D
	VR612 (47kΩ)		RCP1047
	VR604, VR607 (47kΩ)		RCP1104
	VR603 (4.7kΩ)		RCP1139
	Other Resistors		RS1/10S□□□J
OTHERS			
		12P CABLE HOLDER	51063-1205
		14P CABLE HOLDER	51063-1405
	CN103	23P FFC CONNECTOR	52233-2310
	CN13	19P FFC CONNECTOR	9604S-19C
	CN15	26P FFC CONNECTOR	9604S-26C
	CN106	11PIN SIDE POST	BS11P-SHF-1AA
	CN14	13P JUMPER CONNECTOR	KPE13
	KN801	ERATH METAL FITTING	VNF1084
	X201	CRYSTAL RESONATOR(16MHz)	VSS1049

● **VIMC UNIT(RWZ3348)**

RWZ3348 and RWZ3358 have the same construction except for the following :

Mark	Symbol & Description	Part No.		Remarks
		RWZ3358	RWZ3348	
	Q615, Q616	Not used	2PD601A	
	C616	Not used	CKSQYF473Z25	
	R617	RS1/10S681J	RS1/10S472J	
	R620	Not used	RS1/10S102J	
	R621	Not used	RS1/10S271J	
	R622	Not used	RS1/10S472J	
	R623	Not used	RS1/10S101J	
	R624	Not used	RS1/10S331J	
	R625	Not used	RS1/10S750J	
	JA15 Video 2P pin jack	Not used	RKB1039	
	JA16 1P pin jack	RKB1038	Not used	

Mark No.	Description	Part No.	Mark No.	Description	Part No.
● VSCB UNIT(RWZ3349)					
SEMICONDUCTORS					
IC403		CXL1009P	C549, C778		CCSQCH560J50
IC803		LA6510L	C411-C413, C420, C498		CCSQCH820J50
IC404		PA0017-P	C536		CCSQCH910J50
IC401		PA5013A	C537		CEAL010M50
IC402		PM0001	C138, C142, C522, C878, C879		CEAL100M16
Q406, Q407, Q411, Q456, Q496		2PB709A	C434, C445, C452, C457		CEAL101M6R3
Q502, Q511, Q703, Q704		2PB709A	C489, C490		CEAL101M6R3
Q404, Q408, Q410, Q497-Q501		2PD601A	C472, C473, C477		CEAL3R3M50
Q700-Q702		2PD601A	C484		CEAL470M16
Q532		2SA933S	C153, C154, C428, C474, C499		CEAL470M6R3
Q111, Q431		2SC1740S	C501, C502, C512, C521, C525		CEAL470M6R3
Q409, Q413		2SC3802K	C533		CEAL470M6R3
Q405		UN2112	C530		CEALNP100M16
Q530		UN2212	C551		CEALNP220M6R3
D152, D153, D401, D592		1SS254	C405		CEALNP2R2M35
D151		MTZJ16B/C	C443		CEALNP4R7M16
COILS					
L413		LAU100J	C471		CFTYA224J50
L414, L415, L521		LAU120J	C155, C156, C414, C418		CKSQYF103Z50
L412, L430		LAU150J	C421, C422, C425, C426		CKSQYF103Z50
L497		LAU151J	C447, C448, C458-C460		CKSQYF103Z50
L496, L601		LAU220J	C475, C476, C486, C493, C497		CKSQYF103Z50
L600		LAU270J	C535, C776, C777, C780-C784		CKSQYF103Z50
L525		LAU330J	C876, C888		CKSQYF103Z50
L523		LAU390J	C403, C404, C2020		CKSQYF104Z25
L432		LAU430J	C427, C429, C435, C442		CKSQYF104Z25
L433		LAU470J	C479-C481, C503-C506, C511		CKSQYF104Z25
L522		LAU560J	C513, C526, C531, C873, C874		CKSQYF104Z25
L410, L411, L431		LAU680J	C407, C408, C466, C467, C483		CKSQYF473Z25
L458		LFA221J	C487, C488, C527, C875, C877		CKSQYF473Z25
L457, L524		LFA561J	C446		CQMA103J50
CAPACITORS					
C136, C137, C140, C141		CKCYB122K50	C514		CFTYA104J50
C431, C441		CCSQCH050C50	C444		CQMA272J50
C415, C417, C500, C532, C774		CCSQCH100D50	C515, C517		CFTYA683J50
C419, C461, C496		CCSQCH101J50	RESISTORS		
C430		CCSQCH120J50	R142, R146, R160		RD1/6PM221J
C438		CCSQCH060D50	R406		RD1/6PM224J
C456		CCSQCH121J50	R162		RD1/6PM2R2J
C439, C440, C516, C520		CCSQCH150J50	R159		RD1/6PM3R3J
C509, C550, C771, C772		CCSQCH151J50	R169		RD1/6PM470J
C409, C423, C424, C485, C491		CCSQCH180J50	R591		RD1/6PM471J
C529		CCSQCH180J50	R431		RD1/6PM510J
C410, C432, C437		CCSQCH220J50	R158		RD1/6PM680J
C139, C143		CCSQCH221J50	R438		RN1/6PQ1503F
C402		CCSQCH241J50	R511		RN1/6PQ2002F
C416, C495, C510, C775, C779		CCSQCH270J50	R415, R416		RN1/6PQ3002F
C463, C507, C508		CCSQCH271J50	R434		RN1/6PQ5101F
C462		CCSQCH330J50	VR481, VR482, VR521	(4.7kΩ)	RCP1020
C433, C524, C528		CCSQCH390J50	VR441	(22kΩ)	RCP1046
C406		CCSQCH471J50	Other Resistors		RS1/10S□□□J
C455		CCSQCH470J50	OTHERS		
3P CABLE HOLDER 51048-0300					
CN39 30P FFC CONNECTOR 9604S-30C					
CN28 14P JUMPER CONNECTOR KPE14					
JA203 RGB CONNECTOR VKB1037					
KN401, KN402 EARTH METAL FITTING VNF1084					

Mark No.	Description	Part No.
• PTCB UNIT(RWZ3350)		
SEMICONDUCTORS		
IC203, IC602		BA15218N
IC205		BU4053BC
IC405		M50552-132SP
IC101		PD0219A
IC201		PD3239A
IC601		PM3002
IC204		TA7320P
IC202		TC7SU04F
Q102, Q204, Q254, Q263, Q503		2PB709A
Q540, Q611		2PB709A
Q202, Q203, Q205, Q252, Q253		2PD601A
Q255-Q260, Q262, Q548, Q549		2PD601A
Q601-Q605, Q619, Q620		2PD601A
Q626, Q627		2PD601A
Q261, Q524		2SC1740S
Q101		DTA143EK
Q606		DTA144EK
Q201, Q251, Q504, Q512, Q609		UN2112
Q103, Q505, Q522, Q607, Q610		UN2212
Q612, Q613, Q624, Q625		UN2212
D609, D610		1SS254
D601		DA204K
D201		DAN202K
D403		DAP202K
D110		MTZJ5. 1B
D203		SVC201SPA
COILS AND FILTERS		
L203, L204, L251, L252, L255		LAU120J
L442, L443		LAU120J
L205		LAU100J
L201, L202		LAU1R2J
L530		LAU220J
F204		VTF1011
F203		VTF1034
F201		VTF1051
F202		VTF1064
CAPACITORS		
C203		CCSQCH050C50
C207		CCSQCH100D50
C212, C256, C265, C632		CCSQCH101J50
C264, C570		CCSQCH151J50
C612, C633		CCSQCH180J50
C235		CCSQCH020C50
C266, C660		CCSQCH221J50
C204, C208, C231		CCSQCH270J50
C104, C105, C205, C540-C543		CCSQCH330J50
C560		CCSQCH330J50
C211, C559		CCSQCH390J50
C252		CCSQCH391J50
C206		CCSQCH680J50
C293, C609		CCSQCH820J50
C643, C647		CEAL101M6R3
C201, C209, C213, C220-C222		CEAL470M6R3
C227, C254, C258, C260, C262		CEAL470M6R3
C268, C270, C273, C275		CEAL470M6R3
C280-C282, C286, C288, C290		CEAL470M6R3
C552, C558, C622, C624		CEAL470M6R3

Mark No.	Description	Part No.
C619		CEALNP100M16
C284, C613, C620		CEALNP220M6R3
C630		CEALNP2R2M35
C277, C278, C283		CEALNP470M6R3
C628		CEALNP4R7M16
C223		CEALNPR47M50
C101		CEJA331M6R3
C603		CFTYA224J50
C103, C110, C160, C196-C198		CKSQYF103Z50
C202, C210, C214-C217		CKSQYF103Z50
C225, C226, C230, C232, C233		CKSQYF103Z50
C251, C253, C255, C257, C259		CKSQYF103Z50
C261, C263, C269, C271, C274		CKSQYF103Z50
C276, C285, C289, C291		CKSQYF103Z50
C553, C554, C557, C561, C562		CKSQYF103Z50
C565, C566, C602, C604		CKSQYF103Z50
C615, C616, C621, C644		CKSQYF103Z50
C677		CKSQYF223Z50
C102, C601, C629		CKSQYF473Z25
C219, C605-C607		CQMA102J50
C618		CQMA103J50
C617		CFTYA104J50
C608		CQMA152J50
C627		CQMA222J50
C224		CFTYA223J50
C611		CQMA272J50
C626		CFTXA472J50
C614		CFTXA332J50
C218		CQMA472J50
C610		CFTYA563J50
VC201 (10p)		PCM1001
VC202 (20p)		VCM-008
VC203 (30p)		VCM1005
RESISTORS		
R564		RD1/6PM102J
R667		RD1/6PM103J
R287, R605		RD1/6PM221J
R286		RD1/6PM2R2J
R255, R261, R289		RD1/6PM470J
R290		RD1/6PM680J
VR201 (2.2k Ω)		RCP1019
VR204 (4.7k Ω)		RCP1020
VR202 (470 Ω)		RCP1120
Other Resistors		RS1/10S□□□J
OTHERS		
CN101	10P FFC CONNECTOR	9604S-10C
CN25	26P FFC CONNECTOR	9604S-26F
CN29	30P FFC CONNECTOR	9604S-30C
CN26	12P JUMPER CONNECTOR	KPE12
JA1	1P PIN JACK	RKB1038
X202	CRYSTAL RESONATOR (14.318MHz)	VSS1029
X101	CERAMIC RESONATOR	VSS1040
X203	CRYSTAL RESONATOR (17.734MHz)	VSS1059
X201	CRYSTAL RESONATOR (14.22MHz)	VSS1060

● **FM/AM TUNER MODULE(AXQ1013)**

AXQ1013 and AXQ1012 have the same construction except for the following :

Mark	Symbol & Description	Part No.		Remarks
		AXQ1012	AXQ1013	
	C6202	ACG1051	Not used	
	C6268	CCSQCH101J50	Not used	
	C6269	Not used	CCSQCH101J50	
	C6270	Not used	ACG1051	
	4P antenna terminal	AKA1016	Not used	
	2P antenna terminal	Not used	AKA1017	

Mark No. Description Part No.

● **FM/AM TUNER MODULE(AXQ1014)**

SEMICONDUCTORS

IC6201	LA1836M
IC6202	LM7001J
Q6102	2SC2223
Q6203	2SC2235
Q6202, Q6218	2SC2712
Q6103, Q6214	2SC2714
Q6201	2SK208
Q6104, Q6105	2SK302
Q6101	3SK194
Q6204	XDA124EK
Q6217	XDC124EK
D6101-D6104	1SV228

COILS AND FILTERS

L6106	ATC1003
L6105	ATC1015
L6101	ATC1016
L6102	ATC1017
L6103	ATC1018
L6104	ATC1019
T6101	ATE-063
L6207	ATE1013
F6204	ATF-107
F6203	ATF-119
F6205	ATF1152
F6202	ATF1155
L6107	ATH1043
L6202, L6203, L6208	LCTA2R2J3225
L6205	LCTA680J3225

CAPACITORS

C6204, C6234, C6236, C6269 (1 μF)	ACG1051
C6120	CCSCH060D50
C6229	CCSCH102J50
C6111, C6122	CCSQCH010C50
C6112	CCSQCH020C50
C6118	CCSQCH080D50
C6113	CCSQCH101J50
C6116, C6208, C6221, C6222	CCSQCH150J50
C6117	CCSQCH330J50
C6272	CCSQL390J50

Mark No. Description Part No.

C6105	CCSQL471J50
C6101	CCSQTH110J50
C6119	CCSQTH150J50
C6109	CCSQTH270J50
C6107, C6110	CCSQTH300J50
C6106	CCSQTH330J50
C6261	CEAS010M50
C6224, C6231, C6233, C6246, C6262	CEAS100M50
C6216, C6217	CEAS330M16
C6219	CEAS470M10
C6243-C6245	CEAS470M16
C6227	CEAS470M25
C6238, C6248	CEJA100M16
C6249, C6250	CEJA4R7M35
C6215	CFTXA103J50
C6214	CFTXA224J50
C6115, C6125, C6126, C6207	CKSQYB102K50
C6102, C6114, C6121, C6124, C6210	CKSQYB103K50
C6264	CKSQYB103K50
C6247	CKSQYB122K50
C6213	CKSQYB223K50
C6230	CKSQYB273K50
C6228	CKSQYB472K50
C6209, C6237, C6267	CKSQYB473K50
C6251, C6252	CKSQYB562K50
C6212, C6218	CKSQYF103Z50
C6220, C6226, C6239, C6242	CKSQYF223Z50
C6255, C6256	CKSQYF223Z50
C6235	CKSQYF224Z25
C6225, C6241	CKSQYF473Z50
C6123	CKSYB103K50
C6232	CKSYB273K50
C6223	CKSYF103Z50
C6263	CKSYF473Z50

RESISTORS

R6299, R6300	RD1/8PM102J
R6115, R6119, R6123, R6127, R6129	RS1/8S000J
R6268-R6271, R6275, R6276, R6278	RS1/8S000J
R6283, R6284, R6293, R6294, R6297	RS1/8S000J
R6302, R6303	RS1/8S000J

Mark No. Description Part No.
● REAR REGULATOR ASSY(AWZ7559)

SEMICONDUCTORS

IC7201		PAC006B
IC7101		UPC4570G2
Q7107, Q7108		2SA1162
Q7109, Q7110		2SB1115
Q7101, Q7102, Q7301, Q7302		2SC1815
Q7105, Q7106, Q7202		2SC2712
Q7103, Q7104		2SD1615
D7113, D7114		1SS181
D7111, D7112, D7204		1SS184
D7115, D7116		1SS226
D7205, D7208		HSS104-02
D7210		RB441Q-40
D7107-D7110		RD2. 2ESB2
D7206, D7211		RD4. 7ESB
D7207		RD5. 6ESB2

CAPACITORS

C7402, C7406, C7408	(0.082 μF)	ACG1050
C7204	(1 μF/16V)	ACG1051
C7401, C7405, C7407	(0.33 μF)	ACG1053
C7409	(10 μF/35V)	ACH1150
C7109, C7110		ACH1151
C7202	(4.7 μF/35V)	ACH7008
C7203	(0.33 μF/50V)	ACH7009
C7119-C7122		CCSQCH101J50
C7133-C7136		CCSQCH221J50
C7125-C7128		CCSQCH271J50
C7103, C7104		CCSQCH331J50
C7142, C7143		CCSQCH470J50
C7140		CEAS010M50
C7205		CEJA101M10
C7144, C7145, C7201, C7208, C7219		CKSQYB103K50
C7301		CKSQYB332K50
C7129-C7132		CKSQYB333K50
C7206, C7215, C7216, C7404, C7698		CKSQYF104Z50
C7137, C7138		CKSQYF472Z50
C7139		CKSQYF473Z50

RESISTORS

VR7201	(22kΩ)	RCP1103
△ R7403-R7405	(1Ω)	ACN1104
R7119, R7120		ACN1105
R7115, R7116		ACN1109
R7252		RD1/6PM102J
R7253		RD1/6PM103J
△ R7137-R7140		RS1/10S0100F
R7303		RS1/10S1002F
△ R7147-R7150		RS1/10S2200F
R7304		RS1/10S8200F
△ R7141-R7144		RS1/8S100J
R7153		RS1/8S101J
Other Resistors		RS1/10S□□□J

OTHERS

CN7101	12P JUMPER CONNECTOR	KPE12
--------	----------------------	-------

Mark No. Description Part No.
● PRO-LOGIC ASSY(AWX7009)

SEMICONDUCTORS

IC1901	LA2780N
IC1903	LM3364K-15
IC1902	LV1001M-A
IC1906	M66320FP
IC1904, IC1905	NJM4558M-D
Q1904, Q1905	2SC1740S
Q1903	2SD438
Q1906, Q1907	RN2203
D1901, D1903	RD6. 2ESB

CAPACITORS

C1938, C1964	CCSCH102J50
C1940, C1962	CCSQCH151J50
C1970	CCSQCH330J50
C1953	CCSQCH471J50
C1906, C1922, C1934, C1959	CCSQCH681J50
C1909, C1910, C1917, C1918	CEANL4R7M50
C1950	CEANP100M35
C1956	CEANPR33M50
C1951	CEAS010M50
C1903, C1904, C1926, C1927, C1952	CEAS100M50
C1957, C1958, C1960	CEAS100M50
C1902	CEAS101M16
C1968	CEAS221M10
C1941-C1943	CEAS221M16
C1930, C1931	CEAS2R2M50
C1901	CEAS470M25
C1936	CEAS471M16
C1965	CEAS4R7M50
C1911, C1916	CEASR15M50
C1945	CEASR22M50
C1937	CEJA4R7M50
C1912, C1915	CEYA3R3M50
C1905, C1925	CEYAR33M50
C1933	CFTXA103J50
C1907, C1908, C1920, C1923, C1924	CFTXA104J50

C1935	CFTXA104J50
C1932	CFTXA153J50
C1913, C1914, C1961	CFTXA154J50
C1939, C1963	CFTXA223J50
C1949	CFTXA333J50
C1921	CFTXA334J50
C1919	CFTXA473J50
C1946	CFTXA683J50
C1967	CKSQYB103K50
C1972	CKSQYB472K50

C1969	CKSQYB562K50
C1966	CKSQYF104Z50
C1947	CQMA392J50
C1948	CQMA472J50
C1954	CQMA562J50

C1955	CQMA682J50
-------	------------

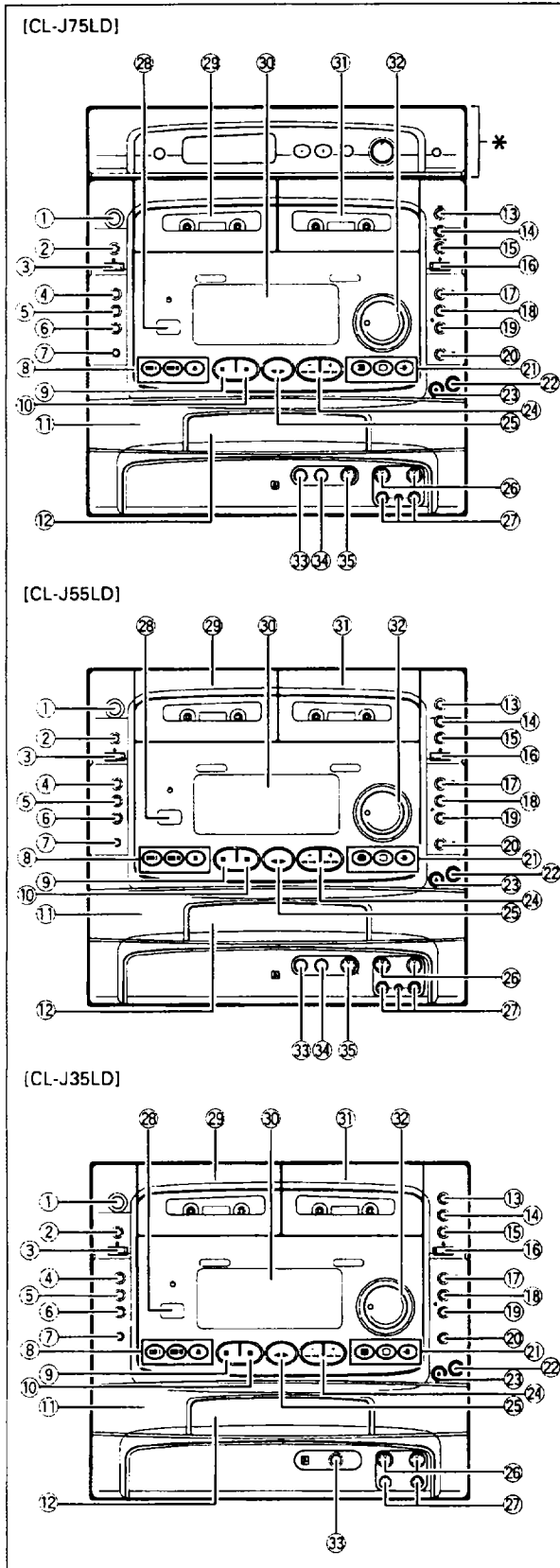
RESISTORS

VR1901	VRTB6VS473
Other Resistors	RS1/10S□□□J

OTHERS

X1901	CERAMIC RESONATOR	ASS1015
-------	-------------------	---------

12. PANEL FACILITIES



* For instructions regarding this section, see the auxiliary pro-
logic operating instruction accompanying the CL-J75LD.

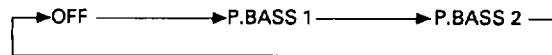
This unit features an "illumination guide function" which utilizes flashing indicators to indicate the operation to be performed next.



Operations on pages featuring this symbol use the illumination guide function. When several operations must be adjusted or changed in sequence, flashing indicators designate the control or buttons to be adjusted next.

- ① POWER switch (STANDBY/ON)
- ② Dolby NR ON/OFF button
- ③ Tape I eject button (▲)
- ④ SFC button
- ⑤ P.BASS button

Each time this button is pressed, the function changes alternately as shown below:



Select P.BASS 1 when you want enhanced bass sound, and P.BASS 2 for even greater bass resonance.

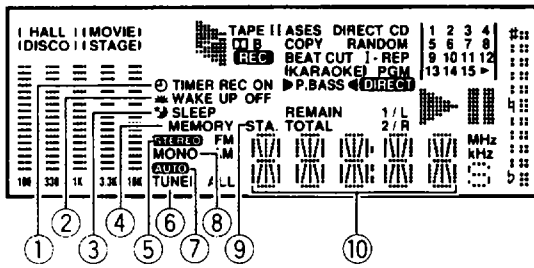
- If you notice the sound being distorted when the P.BASS function is turned ON, reduce the sound volume to a lower level.

- ⑥ SOURCE DIRECT button
When this button is pressed to on, the indicator lights and the unit produces pure sound unmodified by the sound field control. Use this function when you wish to record sounds without modification, in their original condition.
- ⑦ Headphone jack (PHONES)
- ⑧ Input selector buttons
- ⑨ Pause button (II)
- ⑩ Stop button (■)
- ⑪ LD disc tray
- ⑫ CD disc tray
- ⑬ Record/Stop button (●/■)
- ⑭ ASES button
- ⑮ COPY I - II button
- ⑯ Tape II eject button (▲)
- ⑰ TIMER ON/OFF button
- ⑱ TIMER MODE button
- ⑲ CLOCK/ADJUST button (⊖/ADJUST)
- ⑳ STATION MEMORY button
- ㉑ Input selector buttons
- ㉒ LD open/close button
- ㉓ CD open/close button
- ㉔ Fast forward/rewind button (◀◀ ◀◀ (-), ▶▶ ▶▶ (+))
- ㉕ Play (◀▶)/SET button
- ㉖ MIC LEVEL 1, 2 control
(one only on CL-J35LD U.S. model)
- ㉗ MIC jack 1, 2 (one only on CL-J35LD U.S. model)
MC jack (CL-J75LD, CL-J55LD)
- ㉘ Remote control sensor
- ㉙ Tape I cassette door
- ㉚ Display
- ㉛ Tape II cassette door
- ㉜ VOLUME control
- ㉝ One-touch KARAOKE button
- ㉞ KEY CONTROL button
(CL-J75LD and CL-J55LD models only)
- ㉟ ECHO LEVEL control
(CL-J75LD and CL-J55LD models only)

When Timer/Tuner is selected

Cuando se selecciona el temporizador/sintonizador

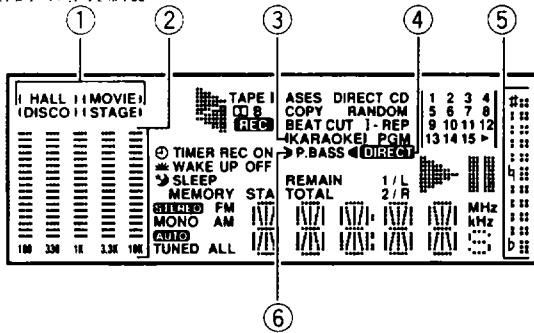
當選擇了定時器/調諧器時



Tone/Volume controls

Controles de tono/volumen

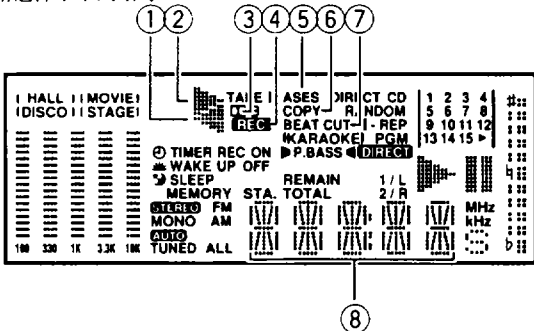
音調/音量控制器



When cassette deck is selected

Cuando se selecciona la grabadora de casete

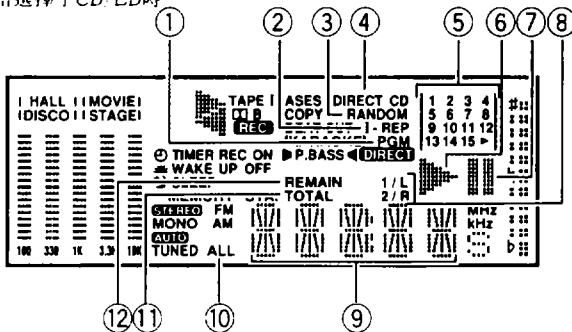
當選擇了卡式座時



When CD/LD is selected

Cuando se seleccionan discos CD/LD

當選擇了CD/LD時



FRONT PANEL FACILITIES

Display Section

When timer/tuner is selected

- ① Displays timer recording ON/OFF status
- ② Displays wakeup timer ON/OFF status
- ③ Displays sleep timer ON/OFF status
- ④ Lights when memorizing a broadcast station
- ⑤ Lights when a stereo broadcast is received
- ⑥ Lights during broadcast reception
- ⑦ Lights during auto tuning
- ⑧ Lights when MONO button is set to ON
- ⑨ Lights during station mode
- ⑩ Displays frequency and main operating statuses

Tone/Volume controls

- ① Selected SFC is indicated with **|** mark
- ② Displays spectrum analyzer pattern
- ③ **|** mark lights when one-touch karaoke button is set to ON
- ④ Lights when source direct button is set to ON
- ⑤ Displays key-control status (CL-J55LD/CL-J75LD models only)
- ⑥ **|** (P.BASS 1) or **|** (P.BASS 2) lights when P.BASS button is set to ON

When cassette deck is selected

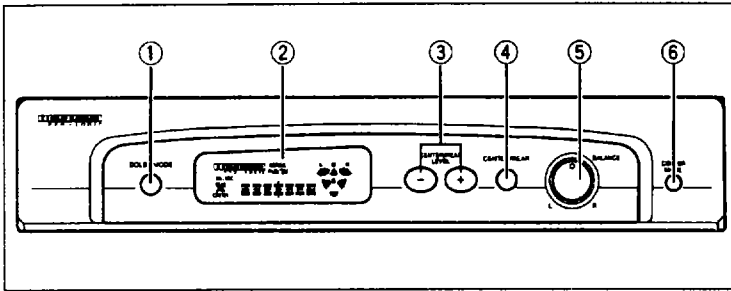
- ① TAPE II reverse direction
- ② TAPE II forward direction
- ③ **B** symbol lights when Dolby NR button is set to ON
- ④ Lights during tape recording.
- ⑤ Lights during ASES operation
- ⑥ Lights during tape copy
- ⑦ Lights when Beat Cut function is ON
- ⑧ Tape counter :

The numbers shown in this indicator change during tape travel, thus providing an indication of the position of programs on the cassette tape.

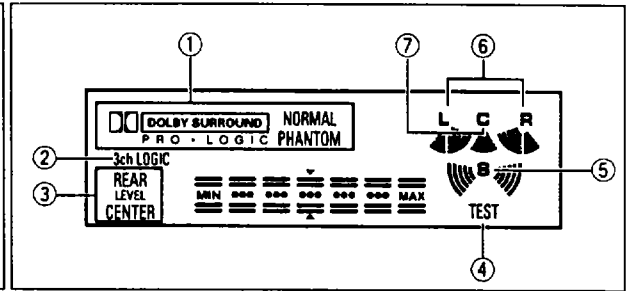
When CD/LD is selected

- ① Lights during program playback
- ② Lights during repeat mode
- ③ Lights during random playback
- ④ Lights when a CD is loaded in the tray
- ⑤ Visual calendar display :
Indicates disc track numbers; when a disc with 16 or more tracks is loaded, **▶** is displayed.
During program playback, only the numbers of the programmed tracks light. In the case of discs without a TOC (table of contents), only the disc's currently playing chapter number lights. When playback of the track is completed, the track or chapter number disappears.
- ⑥ Lights during playback; flashes during search mode
- ⑦ Lights during pause mode
- ⑧ Indicates audio output channels
- ⑨ Displays the frame number or elapsed time
- ⑩ Total remaining time on disc (ALL)
- ⑪ Total playing time of current disc side (TOTAL)
- ⑫ Remaining playing time on the track or chapter (REMAIN)

PANEL FACILITIES (CL-J75LD)



- ① DOLBY MODE button
- ② Display section
- ③ CENTER/REAR LEVEL (+, -) buttons
- ④ CENTER/REAR select button
- ⑤ Speaker BALANCE (L, R) control
- ⑥ CENTER MODE button

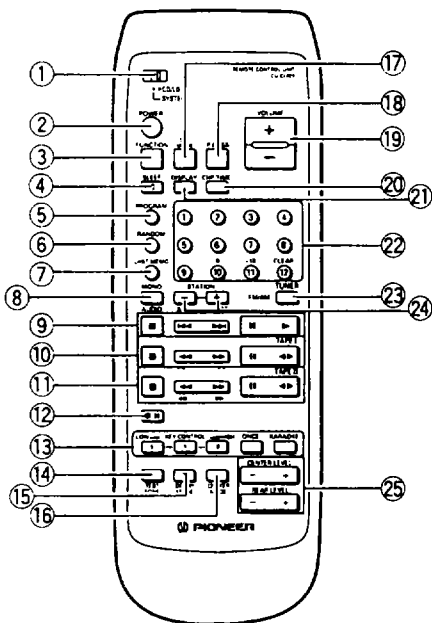


Display Section

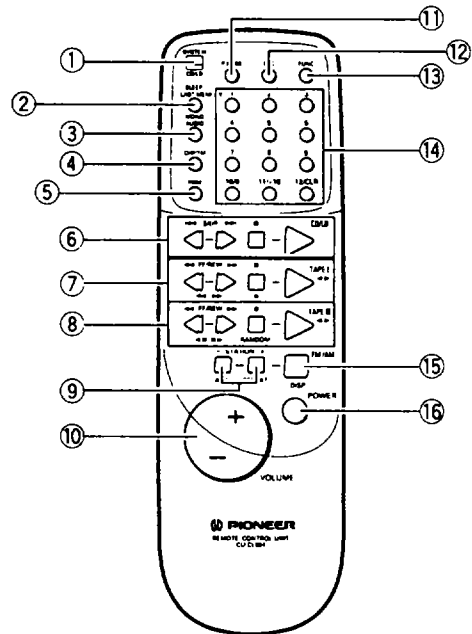
- ① Lights during use of DOLBY PROLOGIC SURROUND (NORMAL or PHANTOM).
- ② Lights during use of Dolby 3ch LOGIC.
- ③ Lights during setting of CENTER or REAR LEVEL.
- ④ Lights when the TEST TONE button is set to ON.
- ⑤ Lights when surround speakers are used.
- ⑥ Lights when front speakers are used.
- ⑦ Lights when center speaker is used.

REMOTE CONTROL UNIT

[CL-J75LD]



[CL-J35LD]
[CL-J55LD]



REMOTE CONTROL UNIT

[CL-J75LD]

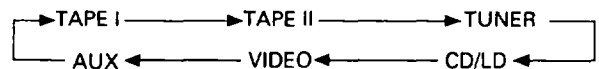
- ① CD/LD-SYSTEM selector switch
- ② POWER button
- ③ FUNCTION button (input selector button)
The input function switches in the following order each time the button is pressed:



- ④ SLEEP button
- ⑤ PROGRAM button
- ⑥ RANDOM button
- ⑦ LAST MEMORY button
- ⑧ MONO/AUDIO button (functions as AUDIO button when CD/LD-SYSTEM selector switch is set to CD/LD)
- ⑨ CD/LD operating buttons
 - ▶ : Play
 - ⏸ : Pause
 - ⏮ ⏭ : Track search
 - : Stop
- ⑩ TAPE I operation buttons
 - ▶ : Play
 - ⏸ : Pause
 - ⏮ ⏭ : Fast forward/rewind button (functions as fast forward/reverse button when CD/LD-SYSTEM selector switch is set to CD/LD).
 - : Stop
- ⑪ TAPE II operation buttons
 - ▶ : Play
 - ⏸ : Pause
 - ⏮ ⏭ : Fast forward/rewind button (functions as still/frame advance button when CD/LD-SYSTEM selector switch is set to CD/LD).
 - : Stop
- ⑫ ● Recording standby button
- ⑬ KARAOKE buttons (KEY CONTROL, ONCE, KARAOKE)
- ⑭ TEST TONE button
- ⑮ DOLBY MODE button
- ⑯ CENTER MODE button
- ⑰ SFC MODE button
- ⑱ P.BASS button
- ⑲ VOLUME control button (+/ -)
- ⑳ Chapter/time button (CHP/TIME)
- ㉑ DISPLAY button
- ㉒ Number buttons
- ㉓ FM/AM button
- ㉔ STATION (+, -) buttons (functions as REPEAT A-B button when CD/LD-SYSTEM selector switch is set to CD/LD).
- ㉕ Surround adjust buttons
 - CENTER LEVEL (-/+)
 - REAR LEVEL (-/+)

[CL-J35LD/CL-J55LD]

- ① CD/LD-SYSTEM selector switch
- ② SLEEP/LAST MEMORY button (functions as LAST MEMORY button when CD/LD-SYSTEM selector switch is set to CD/LD).
- ③ MONO/AUDIO button (functions as AUDIO button when CD/LD-SYSTEM selector switch is set to CD/LD)
- ④ Chapter/time button (CHP/TM)
- ⑤ Program button (PGM)
- ⑥ CD/LD operating buttons
 - ▶ : Play
 - ⏮ ⏭ SKIP ⏭ : Track search
 - : Stop
- ⑦ TAPE I operation buttons
 - ▶ : Play
 - ⏮ ⏭ FF/REW ⏭ : Fast forward/rewind button (functions as fast forward/reverse button when CD/LD-SYSTEM selector switch is set to CD/LD).
 - : Stop (functions as pause button when CD/LD-SYSTEM selector switch is set to CD/LD).
- ⑧ TAPE II operation buttons
 - ▶ : Play
 - ⏮ ⏭ FF/REW ⏭ : Fast forward/rewind button (functions as still/frame advance button when CD/LD-SYSTEM selector switch is set to CD/LD).
 - : Stop (functions as RANDOM button when CD/LD-SYSTEM selector switch is set to CD/LD).
- ⑨ STATION (+, -) buttons (functions as REPEAT A-B button when CD/LD-SYSTEM selector switch is set to CD/LD).
- ⑩ VOLUME control button (+/ -)
- ⑪ P.BASS button
- ⑫ SFC button
- ⑬ FUNCTION button (input selector button)
The input function switches in the following order each time the button is pressed:



- ⑭ Number buttons
- ⑮ FM/AM button (functions as DISPLAY button when CD/LD-SYSTEM selector switch is set to CD/LD).
- ⑯ POWER button

13. SPECIFICATIONS

Amplifier

(CL-J75LD)

FRONT

Continuous Average Power Output is 35 Watts* per channel, min, at 6 ohms from 70 Hz to 20,000 Hz with no more than 0.9%** total harmonic distortion.

Continuous power output (RMS) 55 W + 55W
(1 kHz, T.H.D. 10 %, 6 Ω)

Peak music power 1,000 W

REAR

Continuous power output (RMS) 7.5 W + 7.5 W
(1 kHz, T.H.D. 10 %, 16 Ω)

CENTER

Continuous power output (RMS) 15 W
(1 kHz, T.H.D. 10 %, 8 Ω)

(CL-J55LD)

Continuous Average Power Output is 35 Watts* per channel, min, at 6 ohms from 70 Hz to 20,000 Hz with no more than 0.9%** total harmonic distortion.

Continuous power output (RMS) 55 W + 55W
(1 kHz, T.H.D. 10 %, 6 Ω)

Peak music power 800 W

(CL-J35LD)

Continuous Average Power Output is 33 Watts* per channel, min, at 8 ohms from 70 Hz to 20,000 Hz with no more than 0.9%** total harmonic distortion.

Continuous power output (RMS) 50 W + 50W
(1 kHz, T.H.D. 10 %, 8 Ω)

Peak music power 750 W

(U.S. model only)

Continuous Average Power Output is 35 Watts* per channel, min, at 6 ohms from 70 Hz to 20,000 Hz with no more than 0.9%** total harmonic distortion.

Continuous power output (RMS) 55 W + 55W
(1 kHz, T.H.D. 10 %, 6 Ω)

* Measured pursuant to the Federal Trade Commission's Trade Regulation rules on Power Output Claims for Amplifiers.

** Measured By Audio Spectrum Analyzer.

FM tuner

Frequency range 87.5 — 108 MHz

Antenna Input 75Ω unbalanced

AM tuner

Frequency range

9 kHz step 531 kHz — 1,602 kHz

10 kHz step 530 kHz — 1,700 kHz

Antenna Loop antenna

Spectrum analyzer

Central frequencies 100Hz, 330Hz, 1kHz, 3.3kHz, 10kHz

Stereo double cassette deck

Tracks 4-track, 2-channel stereo

Frequency response

Type II (High-position, CrO₂) 20Hz — 16,000Hz ±6dB
(except for general export model CL-J35LD)

Type I (Normal) 20Hz — 16,000Hz ±6dB

Signal-to-Noise ratio 56dB

(Peak recording level, audible compensation)

DOLBY "B" NR ON 10dB improvement at 5kHz

Compatible LaserDisc Player

Type LaserDisc and Compact Disc digital audio system.

Laser used Semiconductor laser, wavelength 780nm

Permissible operating temperature range +5°C — +35°C
(41°F — 95°F)

Permissible operating humidity 5% — 85%
(without condensation)

Audio output

Channels 2 channel

Digital response

Frequency response 4Hz — 20kHz, +0dB, -1.3dB (EIAJ)

Signal-to-Noise ratio 100dB (EIAJ)

Dynamic range 96dB (EIAJ)

Video output (Two sets can be connected to CL-J55LD/CL-J75LD.) (Only one set can be connected to CL-J35LD.)

Output level 1Vp-p (75Ω load, synch)

Output jacks Pin jacks

Electrical, etc.

Power requirements

Singapore model 110-115, 120, 220-230, 240V, 50/60Hz

Other model 110-115, 120-127, 220-230, 240V, 50/60Hz

U.S. model 120V, 60Hz

Power consumption

CL-J35LD 240 W

(U.S. model only) 135 W

CL-J55LD 290 W

CL-J75LD 330 W

Dimensions

External dimensions 320 (W) x 290 (H) x 403 (D) mm

12-9/16 (W) x 11-7/16 (H) x 15-13/16 (D) in. (CL-J35LD/CL-J55LD)

320 (W) x 350 (H) x 403 (D) mm (CL-J75LD)

Weight 11.6 kg (25 lb 6 oz) (CL-J35LD/CL-J55LD)

12.2 kg (26 lb 9 oz) (CL-J75LD)

Accessories

Operating Instructions 1

FM antenna 1

AM loop antenna 1

Remote control unit 1

Batteries (AAA/R03) 2

Video cable 1

NOTE:

Specifications and design subject to possible modification without notice due to improvements.