

Service Manual



ORDER NO.
RRV1754

CD CDV LD PLAYER

CLD-D606

- Refer to the service manual RRV1693 for CLD-D406/KU.

THIS MANUAL IS APPLICABLE TO THE FOLLOWING MODEL(S) AND TYPE(S).

| Type | Model | Power requirement | Remarks |
|-------|----------|-------------------|---------|
| | CLD-D606 | | |
| KU/CA | ○ | AC120V | |

CONTENTS

1. CONTRAST OF MISCELLANEOUS PARTS 2
2. SCHEMATIC DIAGRAM 8
3. PCB CONNECTION DIAGRAM 22

PIONEER ELECTRONIC CORPORATION 4-1, Meguro 1-Chome, Meguro-ku, Tokyo 153, Japan
PIONEER ELECTRONICS SERVICE, INC. P.O. Box 1760, Long Beach, CA 90801-1760, U.S.A.
PIONEER ELECTRONIC (EUROPE) N.V. Haven 1087, Keetberglaan 1, 9120 Melsele, Belgium
PIONEER ELECTRONICS ASIACENTRE PTE. LTD. 501 Orchard Road, #10-00 Lane Crawford Place, Singapore 0923
© PIONEER ELECTRONIC CORPORATION 1997

T - IZM FEB. 1997 Printed in Belgium

1. CONTRAST OF MISCELLANEOUS PARTS

- NOTES:
- Parts marked by "NSP" are generally unavailable because they are not in our Master Spare Parts List.
 - The Δ mark found on some component parts indicates the importance of the safety factor of the part. Therefore, when replacing, be sure to use parts of identical designation.
 - Screws adjacent to ∇ mark on the product are used for disassembly.
 - Ref. No. : Numbers following P and hyphen (-) indicate the page (s) and location number (s) in the RRV1693 service manual, respectively.
 - When ordering resistors, first convert resistance values into code form as shown in the following examples.
 - Ex.1 When there are 2 effective digits (any digit apart from 0), such as 560 ohm and 47k ohm (tolerance is shown by J=5%, and K=10%).

| | | | | | | | |
|--------------|---------------|------------------|---------------|-----|-------|---------|---|
| 560 Ω | \rightarrow | 56 $\times 10^1$ | \rightarrow | 561 | | RD1/4PU | 5 6 1 J |
| 47k Ω | \rightarrow | 47 $\times 10^3$ | \rightarrow | 473 | | RD1/4PU | 4 7 3 J |
| 0.5 Ω | \rightarrow | R50 | | | | RN2H | R 5 0 K |
| 1 Ω | \rightarrow | 1R0 | | | | RS1P | 1 R 0 K |
 - Ex.2 When there are 3 effective digits (such as in high precision metal film resistors).

| | | | | | | | |
|----------------|---------------|-------------------|---------------|------|-------|---------|---|
| 5.62k Ω | \rightarrow | 562 $\times 10^1$ | \rightarrow | 5621 | | RN1/4PC | 5 6 2 1 F |
|----------------|---------------|-------------------|---------------|------|-------|---------|---|

CONTRAST TABLE

CLD-D606/KU/CA and CLD-D406/KU have the same construction except for the following :

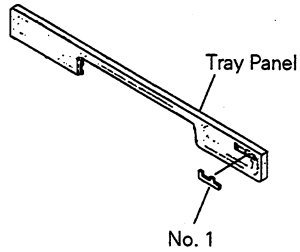
| Ref. No. | Mark | Symbol and Description | Part No. | | Remarks |
|---------------------------------------|----------|----------------------------------|-------------|----------------|---------|
| | | | CLD-D406/KU | CLD-D606/KU/CA | |
| PACKING | | | | | |
| P3- 1 | NSP | Dry Cell Battery (R6P, AA) | VEM-013 | Not used | |
| | NSP | Dry Cell Battery (R03, AAA) | Not used | VEM-022 | |
| P3- 2 | | Video Cord | VDE1036 | VDE1048 | |
| P3- 8 | | Operating Instructions (English) | VRB1179 | VRB1182 | |
| P3- 10 | | Remote Control Unit (CU-CLD134) | VXX2400 | Not used | |
| | | Remote Control Unit (CU-CLD135) | Not used | VXX2412 | |
| P3- 11 | | Battery Cover | VNK2806 | VNK3668 | |
| P3- 15 | | Packing Case | VHG1651 | VHG1672 | |
| EXTERIOR AND DISC TRAY SECTION | | | | | |
| P5- 4 | | Rear Cover | VNK3950 | VNK4019 | |
| P5- 18 | | Tray Panel | VNK3929 | VNK4018 | |
| | | Laser Disc Badge | Not used | VAM1029 | No. 1 |
| TOP VIEW SECTION | | | | | |
| | | YCPB Assy | Not used | VWV1502 * | No. 2 |
| | | Earth Plate | Not used | VNE1518 | No. 3 |
| | | FCC Plate | Not used | VNE2086 | No. 4 |
| | | Flexible Cable (10P) | Not used | VDA1550 | No. 5 |
| FRONT PANEL SECTION | | | | | |
| P8- 1 | | FLKY Assy | VWG1810 | VWG1834 * | |
| P8- 2 | | KEYB Assy | VWG1811 | Not used | |
| | NSP | KEYB Assy | Not used | VWG1836 * | |
| P8- 3 | | Name Plate | PAM1608 | PAM1704 | |
| P8- 6 | | Front Panel | VNK3926 | VNK4017 | |
| P8- 7 | | Sub Panel | VNK3931 | VNK3979 | |
| P8- 17 | NSP | Getter Label | VRW1636 | VRW1651 | |
| BOTTOM VIEW SECTION | | | | | |
| P9- 1 | | MOTHER Assy | VWS1281 | VWS1304 * | |
| P9- 3 | Δ | POWER SUPPLY Assy | VWR1232 | VWR1269 * | |
| P9- 7 | | Rear Panel R | VNA1606 | VNA1734 | |
| P9- 14 | NSP | Chassis | VNA1461 | VNA1564 | |
| P9- 15 | | Rear Panel L | VNA1819 | VNA1846 | |
| P9- 20 | | AC Inlet Assy | VKP2126 | Not used | |
| P9- 21 | NSP | Fuse Caution Label (G) | VRW-548 | Not used | |
| P9- 22 | | Caution Label | VRW1486 | Not used | |
| | | Spacer | Not used | REB1171 | No. 6 |
| | | F.ICP Caution Label | Not used | VRW1590 | No. 7 |

Note: • The numbers in the remarks column correspond to the numbers on "EXPLODED VIEWS". Refer to "EXPLODED VIEWS".
 • Marked "*" are refer to "PCB PARTS LIST"

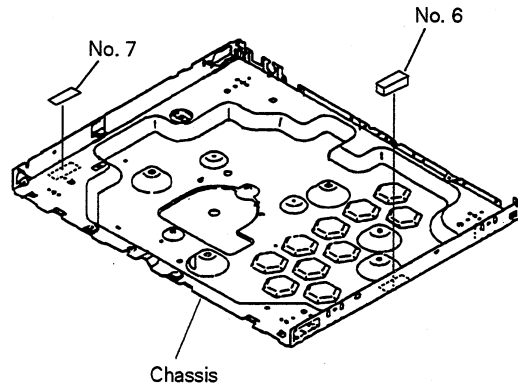
EXPLODED VIEWS

Note :The numbers on the exploded views correspond to the numbers in the remarks column of 'CONTRAST TABLE'.
Refer to 'CONTRAST TABLE'.

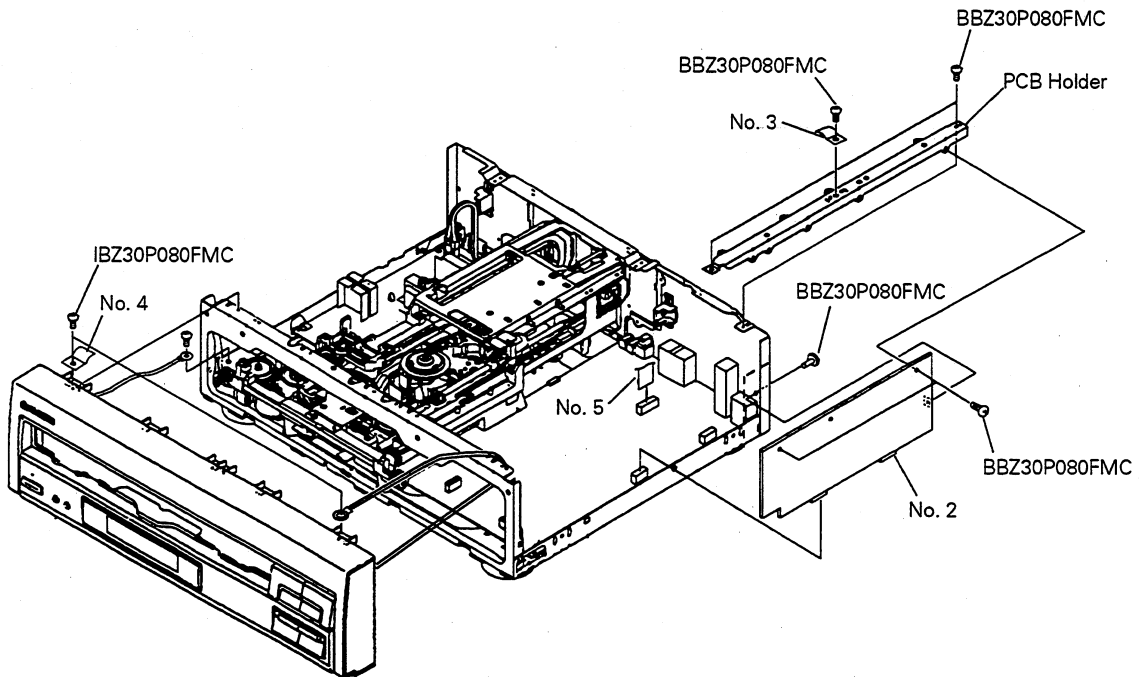
EXTERIOR AND DISC TRAY SECTION



BOTTOM VIEW SECTION



TOP VIEW SECTION



CLD-D606

PCB PARTS LIST

| Mark | No. | Description | Part No. |
|---------------------------|-----|-------------------|----------|
| LIST OF ASSEMBLIES | | | |
| △ | | POWER SUPPLY ASSY | VWR1269 |
| NSP | | MOTHER ASSY | VWM1754 |
| | | └ MOTHER ASSY | VWS1304 |
| NSP | | FLKB ASSY | VWM1755 |
| | | └ FLKY ASSY | VWG1834 |
| NSP | | └ KEYB ASSY | VWG1836 |
| | | YCPB ASSY | VWV1502 |

F POWER SUPPLY ASSY SEMICONDUCTORS

| | | |
|---|------------------|-------------|
| | IC201 | HA17431P |
| △ | IC210 | ICP-N15 |
| △ | IC211 | ICP-N20 |
| | IC202 | UPC358C |
| | Q207, Q208, Q214 | 2SA933S |
| | Q205, Q206, Q210 | 2SC1740S |
| △ | Q102, Q103 | 2SC3377 |
| △ | Q213 | 2SD2007 |
| △ | Q203, Q204 | T7F4S |
| △ | Q201, Q202 | T7F4T |
| △ | Q101 | VZF1037 |
| △ | Q209 | VZF1040 |
| | D206 | VZF1039 |
| △ | D104 | 1SS270A |
| | D209-D212, D216 | AG01Z-V0 |
| △ | D101 | D2SB60F4004 |
| △ | D102 | EG01C |
| △ | D105 | K1V24 |
| △ | D103 | MTZJ2. 7B |
| | D218 | MTZJ8. 2B |
| △ | D200 | PS2501L1-1M |
| | D207 | RD33FB2 |
| | D202, D203 | S3LA20 |
| | D204 | S3S4M |

RESISTORS

| | | | |
|---|------|---------------|---------|
| △ | R257 | (68Ω, 1/4W) | VCN1048 |
| △ | R258 | (8.2Ω, 1/4W) | VCN1050 |
| △ | R256 | (0.22Ω, 1/2W) | VCN1055 |

OTHERS

| | | | |
|---|------------|----------------|---------|
| △ | F101 | FUSE (2A) | REK1078 |
| △ | F203 | FUSE (136°C) | VEK1033 |
| △ | F201, F202 | FUSE (136°C) | VEK1034 |
| △ | F204, F205 | FUSE (1A/125V) | VEK1036 |

MOTHER ASSY

OTHERS

| | | |
|--|-----------------|---------|
| | PC BOARD MOTHER | VNP1554 |
|--|-----------------|---------|

| Mark | No. | Description | Part No. |
|---|-------|-------------|----------|
| G F MOTHER ASSY SEMICONDUCTORS | | | |
| | IC351 | CA0002AM | |
| | IC803 | LA6510 | |
| | IC400 | LA7134M | |
| | IC901 | LA9420M | |
| | IC801 | LA9425 | |
| | IC802 | LC78620E | |
| | IC703 | MC14577CP | |
| | IC500 | PD0234A | |
| | IC101 | PD0245A2 | |
| | IC902 | TA8410AK | |

| | | |
|--|------------------------------|---------------|
| | IC804 | TC4W53F |
| | IC502 | UPD42280GU-30 |
| | IC904 | XLA10393F |
| | IC202, IC903, IC905 | XLA4560F |
| | Q1001, Q102, Q753, Q916 | 2PB709A |
| | Q201, Q202, Q391, Q393, Q394 | 2PD601A |
| | Q451, Q475, Q805, Q9001 | 2PD601A |
| | Q903, Q904, Q907, Q908, Q915 | 2PD601A |
| | Q917 | 2PD601A |
| | Q834 | 2SA854S |

| | | |
|--|------------------------------|----------|
| | Q411, Q803 | 2SC2412K |
| | Q152 | 2SC3802K |
| | Q204, Q205 | 2SD2144S |
| | Q208, Q301, Q302, Q392, Q918 | DTA124EK |
| | Q103, Q303, Q901, Q910 | DTC124EK |

| | | |
|--|------------------------------|-----------|
| | Q840 | FMY1A |
| | D102, D180, D801, D901, D902 | 1SS254 |
| | D905, D963 | 1SS254 |
| | D301, D303, D304, D802 | 1SS355 |
| | D805 | KV1851 |
| | D110 | MTZJ5. 1B |

COILS AND FILTERS

| | | |
|--|------------------------------|---------|
| | F113, F198, F199, F500, F503 | DTF1069 |
| | CHIP BEAD | |
| | F505, F507-F509, F547, F548 | DTF1069 |
| | CHIP BEAD | |
| | F5553-F5555, F561-F568 | DTF1069 |
| | CHIP BEAD | |

| | | |
|--|------------------------------|---------|
| | L413 | LAU100J |
| | L410 | LAU101J |
| | L351, L802-L804 | LAU181J |
| | L100, L352, L412, L461, L470 | LAU220J |
| | L700, L800, L801, L806-L809 | LAU220J |
| | L411, L571 | LAU270J |
| | L420, L421, L580 | LAU430J |
| | L462 | LAU560J |
| | L414, L5004 | LAU8R2J |
| | L460 | LFA561J |

| | | |
|------|----------------|---------|
| F501 | 14.3MHz FILTER | VTF1055 |
|------|----------------|---------|

| Mark No. | Description | Part No. |
|---|--|----------|
| CAPACITORS | | |
| C420, C421, C438, C466, C583 C111, C112, C202, C370, C393 C5007, C5009, C5550-C5554 C6001, C6002, C710, C719-C721 C810, C846, C848, C891, C944 | CCSQCH100D50 CCSQCH101J50 CCSQCH101J50 CCSQCH101J50 CCSQCH101J50 | |
| C434, C437, C474, C579 C416 C415, C418, C475, C5010 C161, C258, C259, C353, C812 C352, C552 | CCSQCH120J50 CCSQCH121J50 CCSQCH150J50 CCSQCH151J50 CCSQCH180J50 | |
| C5011, C813, C823, C950 C162, C417, C591, C935 C371, C419, C433, C467, C931 C106, C107, C354, C435, C452 C553, C563, C580 | CCSQCH220J50 CCSQCH221J50 CCSQCH270J50 CCSQCH330J50 CCSQCH330J50 | |
| C351, C425, C476 C260-C263, C464, C468 C562 C375, C561, C806 C436, C809, C811 | CCSQCH390J50 CCSQCH470J50 CCSQCH5R0C50 CCSQCH680J50 CCSQCH7R0D50 | |
| C374, C814 C460, C462 C895 C588, C763, C844 C363, C765, C836 | CCSQCH820J50 CCSQCH910J50 CEAL101M6R3 CEAL470M10 CEAL470M6R3 | |
| C838 C972 C450 C274, C275, C367, C439 C101, C270, C271, C364, C412 | CEALNP470M6R3 CEANP220M10 CEANP470M6R3 CEAS100M50 CEAS101M10 | |
| C424, C493, C530, C538, C550 C585, C700, C701, C801, C803 C820, C833, C882, C890, C893 C898, C917, C927, C933 C974, C975 | CEAS101M10 CEAS101M10 CEAS101M10 CEAS101M10 CEAS101M10 | |
| C227, C281, C904 C821, C922, C967 C845, C870, C902, C926 C225, C226, C369, C5004, C534 C842 | CEAS1R0M50 CEAS220M25 CEAS2R2M50 CEAS470M10 CEAS470M10 | |
| C368, C943 C968, C987 C491 C484 C850 | CEASR47M50 CEHAQ220M50 CEJA221M6R3 CEJA331M6R3 CEJA4R7M35 | |
| C256, C490, C907 C5002, C5003, C551, C915, C981 C919 C361, C362 C355-C358, C377, C909 | CKSQYB102K50 CKSQYB104K25 CKSQYB332K50 CKSQYB392K50 CKSQYB472K50 | |
| C110, C122, C160, C196-C198 C372, C373, C376, C451, C454 C532, C533, C570, C577, C578 C581, C802, C804, C807, C819 C822, C831, C832, C834, C835 | CKSQYF103Z50 CKSQYF103Z50 CKSQYF103Z50 CKSQYF103Z50 CKSQYF103Z50 | |
| C843, C876, C883, C884 C888, C889, C892, C896, C897 C918, C928, C929, C932 C937, C938, C941, C961, C962 C964, C971, C982 | CKSQYF103Z50 CKSQYF103Z50 CKSQYF103Z50 CKSQYF103Z50 CKSQYF103Z50 | |

| Mark No. | Description | Part No. |
|---|--|----------|
| C102, C103, C151, C284, C285 C365, C366, C391, C413 C422, C423, C453, C457, C458 C485, C492, C494, C500, C5006 C501, C502, C531, C539, C574 | CKSQYF104Z25 CKSQYF104Z25 CKSQYF104Z25 CKSQYF104Z25 CKSQYF104Z25 | |
| C582, C587, C589, C592 C725, C726, C756, C758, C762 C764, C766, C827, C828 C840, C841, C847, C872-C874 C901, C910-C912, C976, C983 | CKSQYF104Z25 CKSQYF104Z25 CKSQYF104Z25 CKSQYF104Z25 CKSQYF104Z25 | |
| C837, C921, C930 C359, C360, C905, C951 C465, C808, C815, C875, C877 C924, C925 C942 | CKSQYF223Z50 CKSQYF224Z25 CKSQYF473Z25 CKSQYF473Z25 CQMA103J50 | |
| C913, C920 C479, C908, C973 C903 C278, C282 C923 | CQMA104J50 CQMA154J50 CQMA222J50 CQMA332J50 CQMA473J50 | |
| C934 C483 C871 (10μF/16V NP) VC901 (20pF) | CQMA681J50 CQMA683J50 VCH1152 VCM-008 | |

RESISTORS

| | |
|---|---|
| R420 R625, R626, R755-R758 R762, R765 R490, R987, R989 R880, R883 | RD1/4PU470J RN1/10SC75R0D RN1/10SE1001D RN1/10SE1002D RN1/10SE1003D |
| R763, R766 R753, R754 R752 R879, R986, R990 R259-R262, R881, R882 | RN1/10SE2001D RN1/10SE2201D RN1/10SE3301D RN1/10SE3302D RN1/10SE4702D |
| R927 VR450 (2.2kΩ) VR603 (4.7kΩ) VR604, VR607, VR608 (47kΩ) Other Resistors | RN1/4PC5101F PCP1025 RCP1020 RCP1047 RS1/10S□□□□J |

OTHERS

| | | |
|---|---|--|
| CN703 CN108 CN121 CN102 CN106 | 10P FFC CONNECTOR 12P FFC CONNECTOR 16P FFC CONNECTOR 21P FFC CONNECTOR 11P TOP POST | 52045-1045 52045-1245 52045-1645 52045-2145 B11P-SHF-1AA |
| CN503, CN701 J50 JA8 JA3, JA4 | B TO B CONNECTOR BOARD IN JUMPER OPTICAL OUTPUT MODULE REMOTE CONTROL JACK PCB BINDER | 12P BTFN12S-3SB7 DB912NS0 GP1F32T PKN1004 VEF1040 |
| JA6 JA15 CN103 | 4P PIN JACK 3P PIN JACK S TERMINAL (8P) 23P FFC CONNECTOR | VKB1065 VKB1093 VKN1134 VKN1199 VNE1948 |
| KN101, KN102 X101 X801 X550 | EARTH METAL FITTING CERAMIC RESONATOR(9.00MHz) CRYSTAL RESONATOR(16MHz) CRYSTAL RESONATOR (28.636MHz) | VNF1084 VSS1040 VSS1081 VSS1093 |

CLD-D606

Mark No. Description Part No.

FLKB ASSY

OTHERS

PC BOARD FLKB VNP1602

FLKY ASSY

SEMICONDUCTORS

IC101 PD3360B
 IC141 S-806D
 Q142 DTA144ES
 Q141 DTC114ES
 D141 1SS254

D301 SLR-342DUT31
 D302 SLR-342MCT31
 D303 SLR-342VCT31

SWITCHES

S301-S303 ASG1034

CAPACITORS

C142, C301 CEAL100M16
 C101 CEAL470M6R3
 C901, C902 CKPUYB151K50
 C111, C141 CKPUYF223Z25
 C143 CKPUYY103M16

RESISTORS

All Resistors RD1/4PU□□□J

OTHERS

CN101 21P FFC CONNECTOR 52044-2145
 X101 CERAMIC RESONATOR(8MHz) EFOEC8004A4
 REMOTE RECEIVER UNIT GP1U28X
 V101 FL TUBE VAW1041
 SPACER VEC1599
 FL HOLDER VNF1087

KEYB ASSY

SWITCHES

S201-S208 ASG1034

CAPACITORS

C500 CKPUYF223Z25

RESISTORS

All Resistors RD1/4PU□□□J

OTHERS

CN203 FFC BOTTOM CONNECTOR 16P 52492-1620
 CN201 FFC BOTTOM CONNECTOR 21P 52492-2120

Mark No. Description Part No.

YCPB ASSY

SEMICONDUCTORS

IC701 CXD2046Q
 IC3002 NJM2209S
 IC3001 TC74HC4053AF
 IC3003 TC7W74F
 Q3017, Q3022, Q3025, Q3062, Q750 2PB709A

Q3018-Q3021, Q3023, Q3024, Q3061 2PD601A
 Q3063, Q702, Q703 2PD601A
 Q3001 DTA124EK
 Q3002 DTC124EK

COILS AND FILTERS

F701, F731, F771-F773 CHIP BEAD DTF1069
 F777, F778 CHIP BEAD DTF1069
 L3002 LFA121J
 L3003, L750, L751 LFA220J
 L3001 LFA221J

CAPACITORS

C771, C772, C777 CCSQCH101J50
 C3010 CCSQCH151J50
 C3014, C3061, C750, C753 CCSQCH220J50
 C3011 CCSQCH221J50
 C754 CCSQCH470J50

C752 CCSQCH560J50
 C751 CCSQCH6R0D50
 C3064 CCSQCH910J50
 C3016, C3017 CEAS100M16
 C3005, C3006 CEAS101M10

C3007, C7001-C7003, C704 CEAS470M10
 C705 CKSQYB102K50
 C706, C707, C722 CKSQYB104K25
 C3002 CKSQYB122K50
 C3001, C3013 CKSQYB472K50

C3012, C3062 CKSQYF103Z50
 C3003, C3004, C3008, C3009, C7004 CKSQYF104Z25
 C711, C713, C714, C716, C717 CKSQYF104Z25
 C724, C770, C773-C776 CKSQYF104Z25

RESISTORS

R3037 RN1/10SE1001D
 R3036 RN1/10SE1301D
 R3022 RN1/10SE2001D
 R3021 RN1/10SE2201D
 R704, R705 RN1/10SE2700D

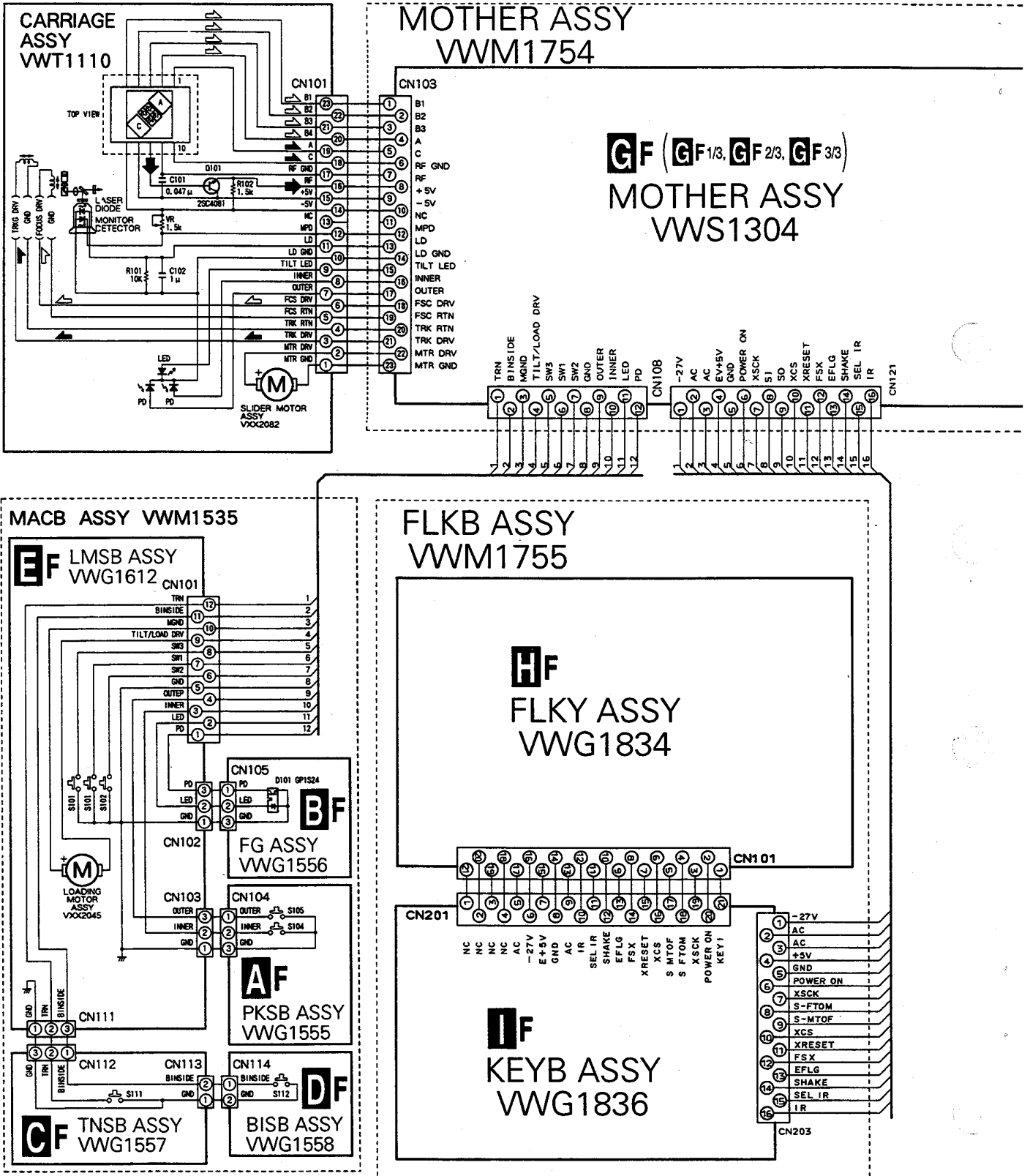
R703, R707 RN1/10SE3301D
 R702 RN1/10SE3901D
 R701, R708 RN1/10SE4701D
 R706 RN1/10SE5601D
 Other Resistors RS1/10S□□□J

OTHERS

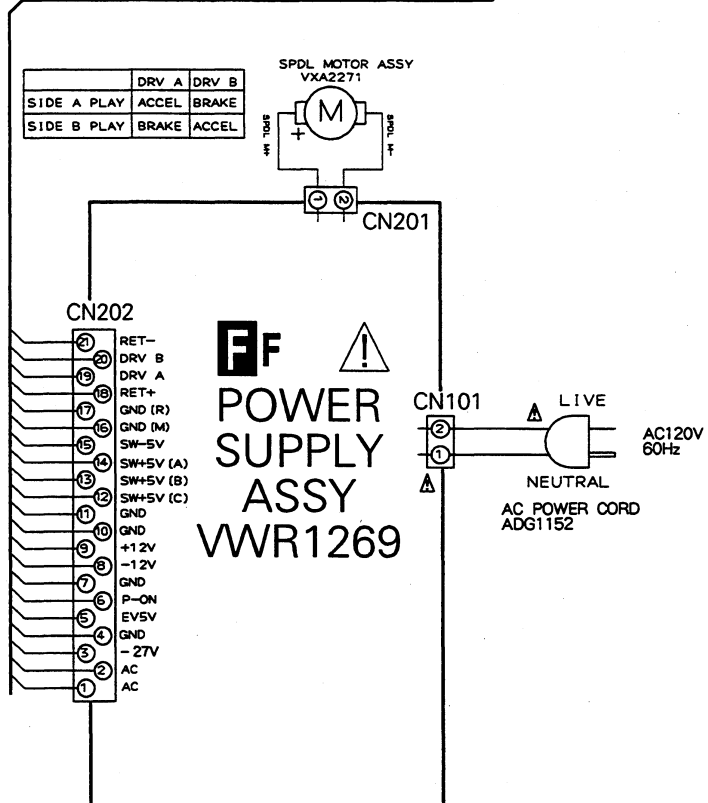
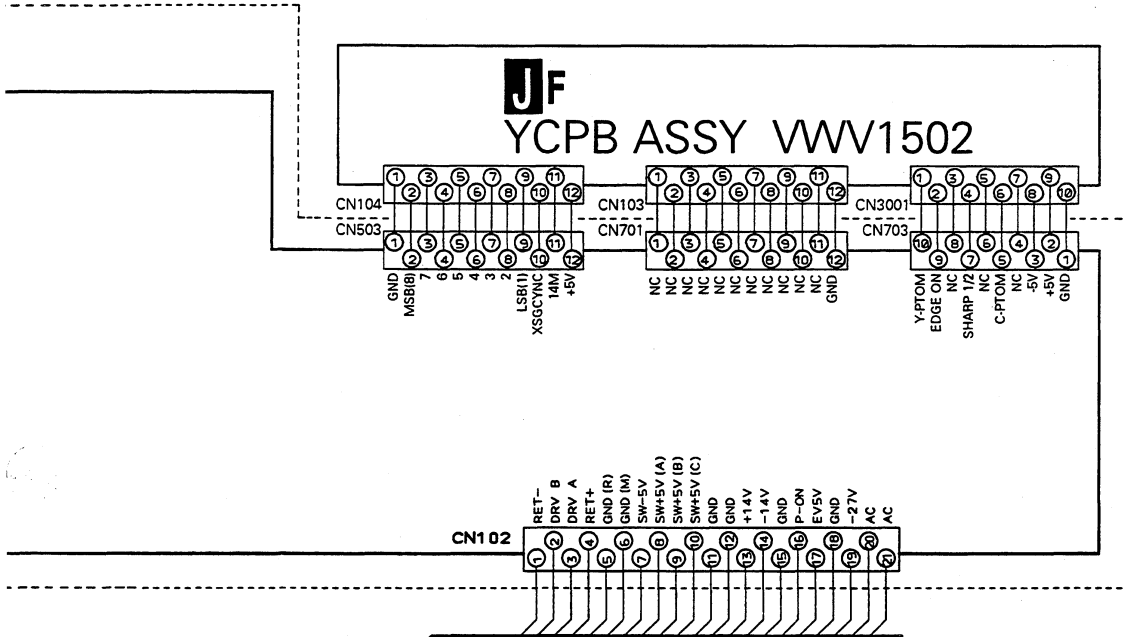
CN3001 10P FFC CONNECTOR 52045-1045
 CN103, CN104 BTFN12P-3RD7
 B TO B CONNECTOR 12P
 SCREW TERMINAL VNE1948
 PC BOARD YCPB VNP1589

2. SCHEMATIC DIAGRAM

2.1 OVERALL CONNECTIONS, PKSB, FG, TNSB, BISB, LMSB AND CARRIAGE ASSEMBLIES

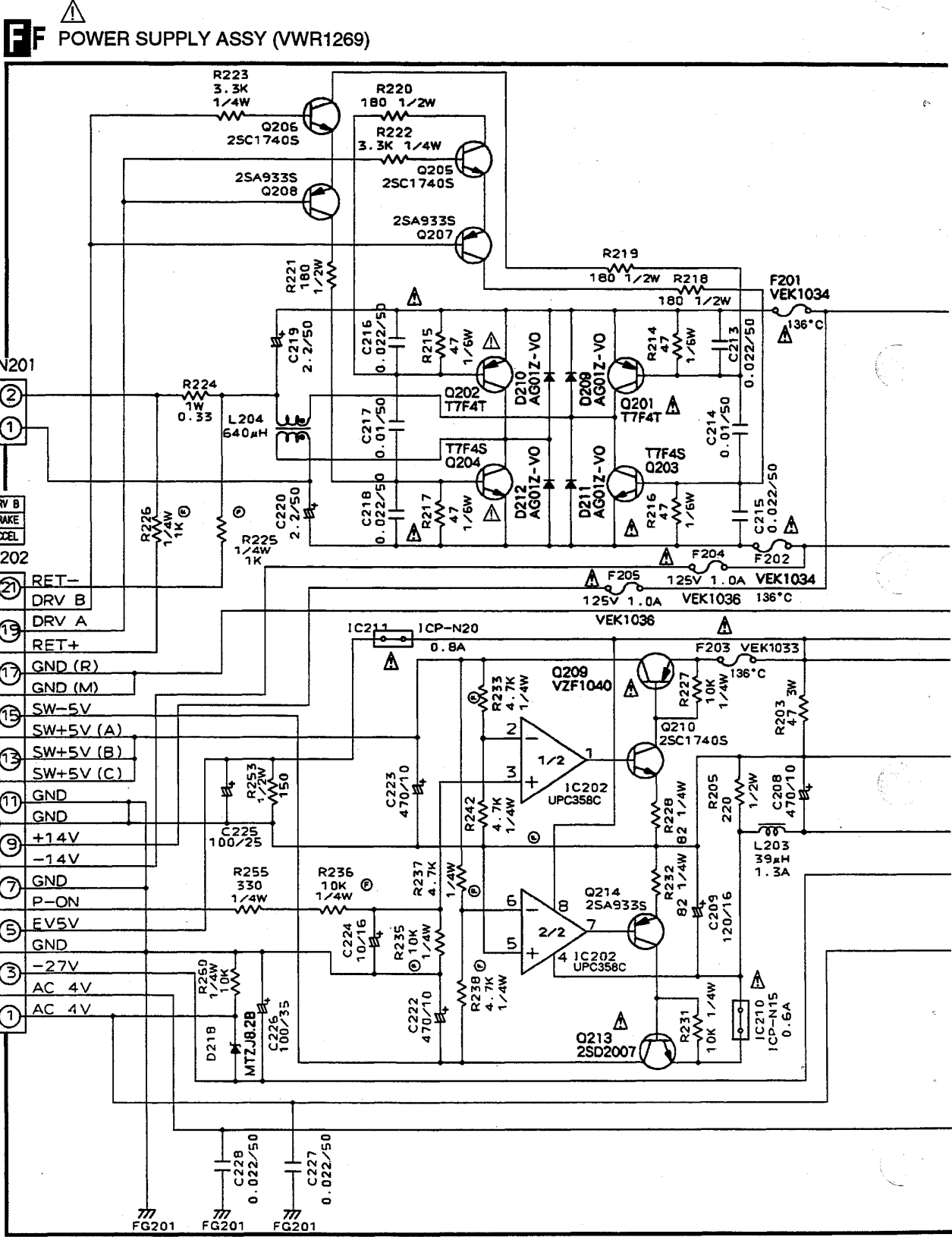


Note : When ordering service parts, be sure to refer to "CONTRAST TABLE" or "PCB PARTS LIST"



SIGNAL ROUTE
 ■: RF SIGNAL ROUTE
 ⇄: FOCUS SERVO LOOP LINE
 ▲: TRACKING SERVO LOOP LINE

2.2 POWER SUPPLY ASSY



CAUTION : FOR CONTINUED PROTECTION AGAINST RISK OF FIRE, REPLACE ONLY WITH SAME TYPE NO. ICP-N20, MFD BY ROHM CO., LTD. FOR IC211.

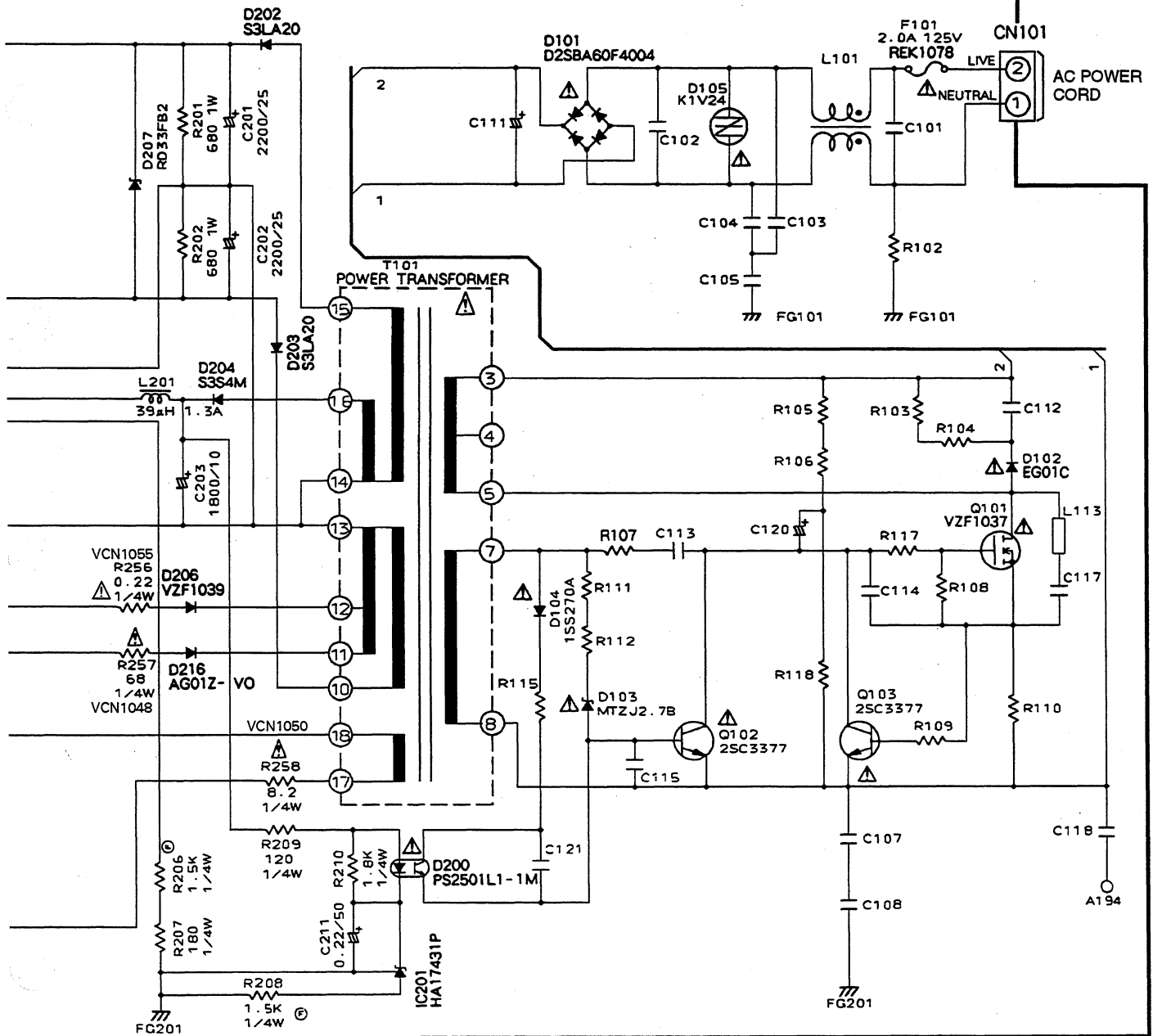
CAUTION : FOR CONTINUED PROTECTION AGAINST RISK OF FIRE, REPLACE ONLY WITH SAME TYPE NO. ICP-N15, MFD BY ROHM CO., LTD. FOR IC210.

« NOTE OF SPARE PARTS IN POWER SUPPLY (SYPS) ASSY »

- In case of repairing, use the described parts only to prevent an accident.
- Please write the red √ mark on the board when the primary section of POWER SUPPLY (SYPS) Assy is repaired.
- Please take care to keep the space, not touching other parts when replacing the parts.

• NOTE FOR FUSE REPLACEMENT

CAUTION -FOR CONTINUED PROTECTION AGAINST RISK OF FIRE.
REPLACE ONLY WITH SAME TYPE AND RATINGS ONLY.

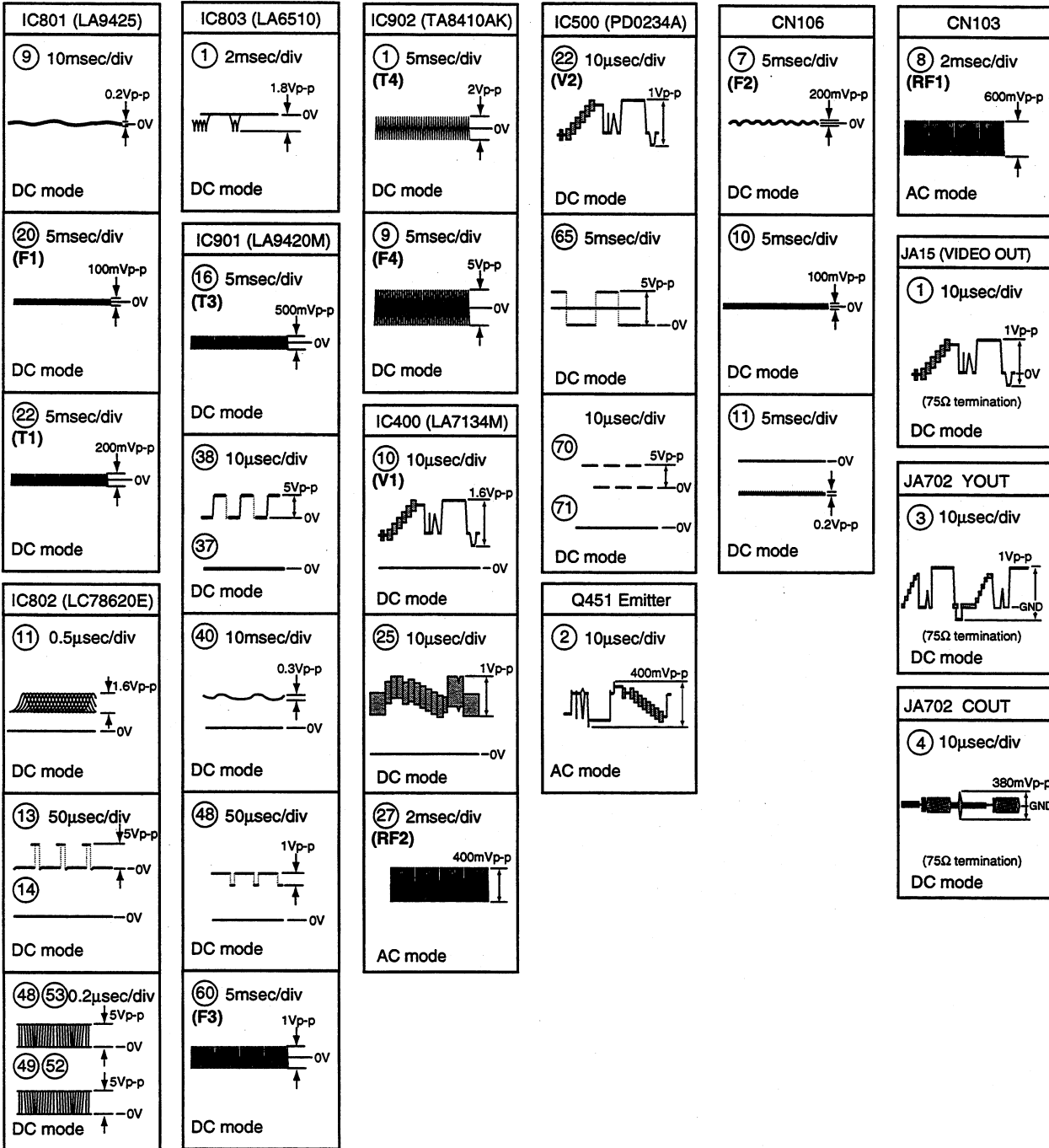


2.3 MOTHER ASSY

• WAVEFORMS AND VOLTAGE OF THE MOTHER ASSY

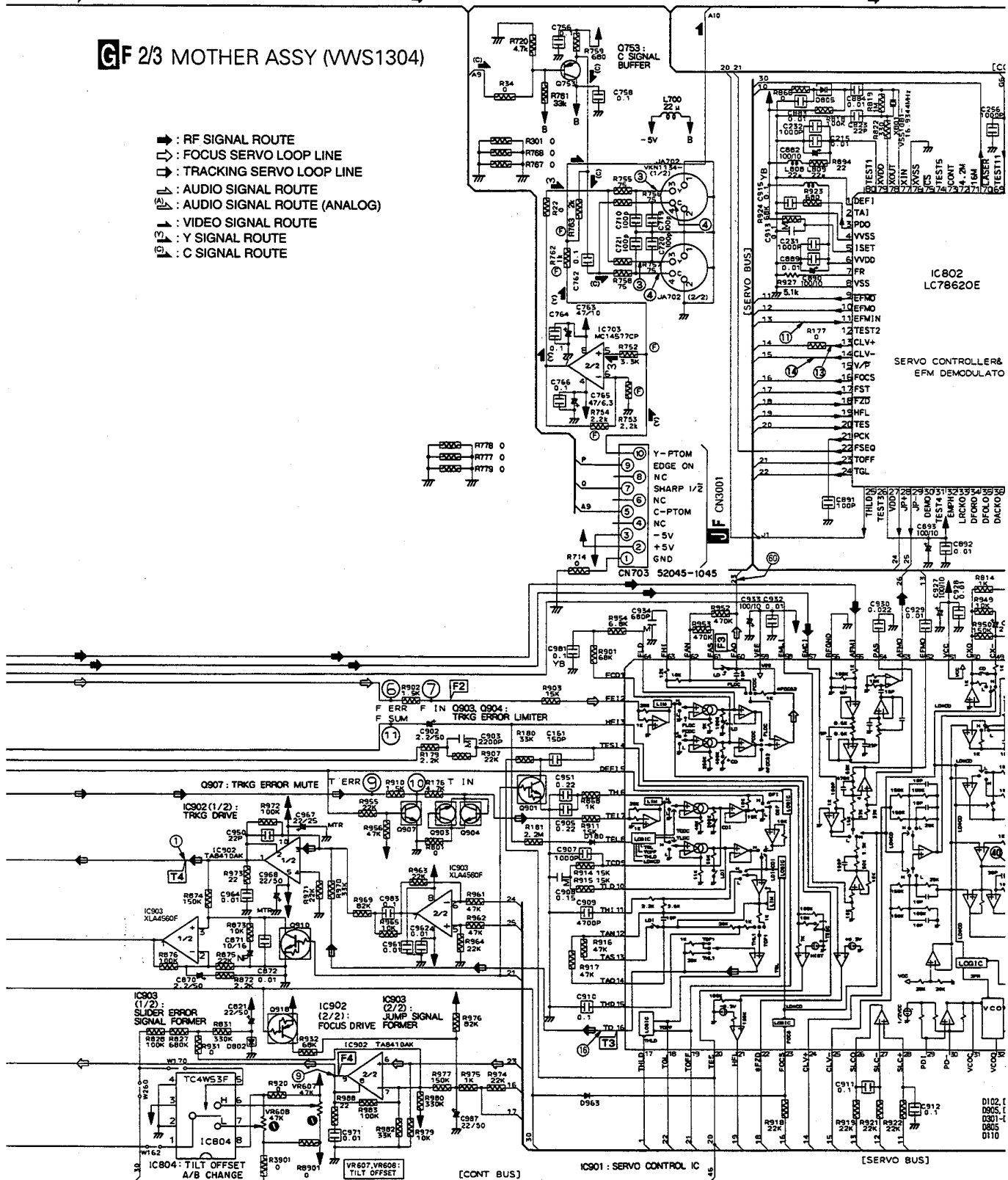
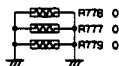
Note : (No.) in the table correspond to the pin number.

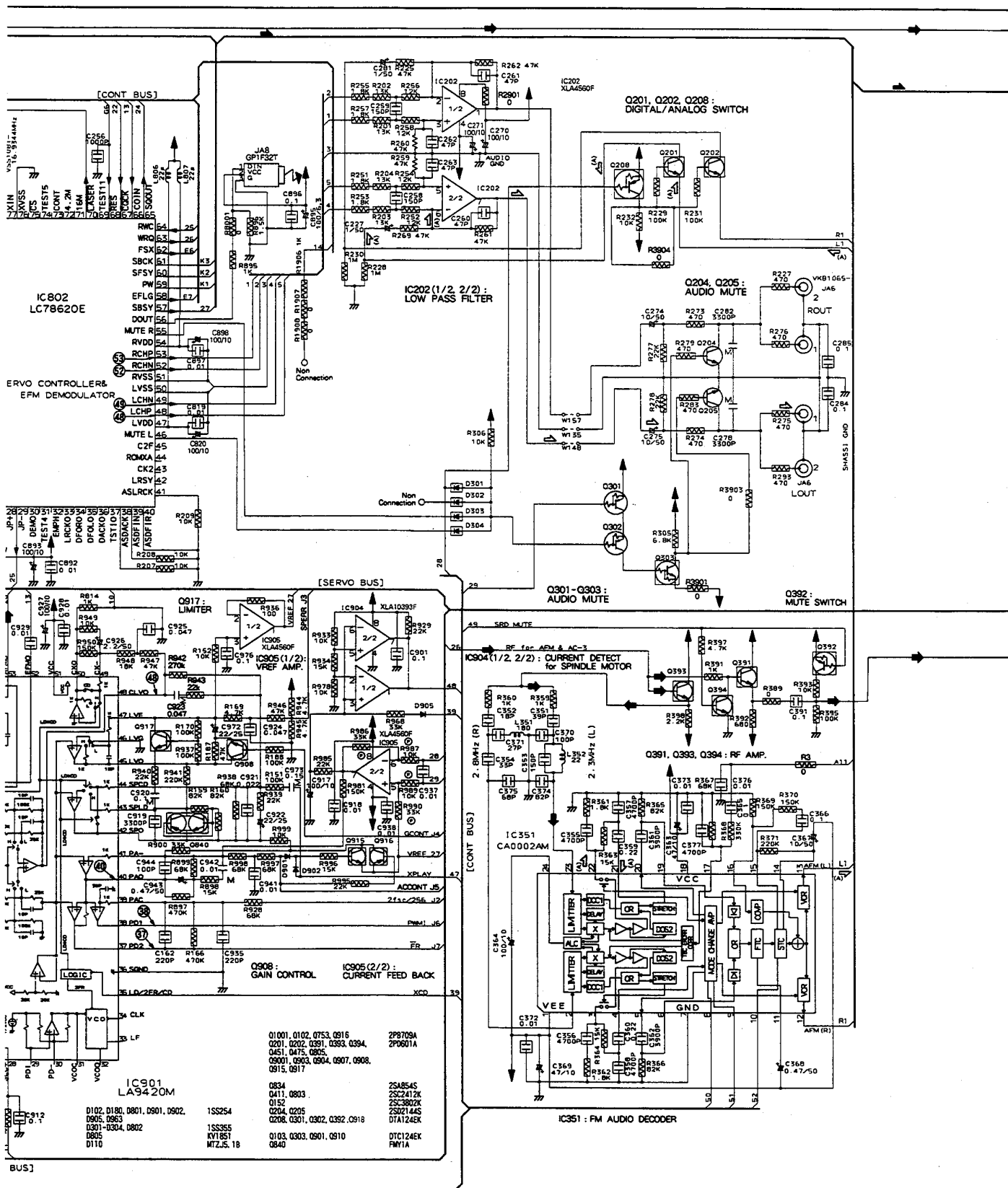
Measurement condition : In case when (D.audio) is written, at time when disc that has digital audio recording is played.



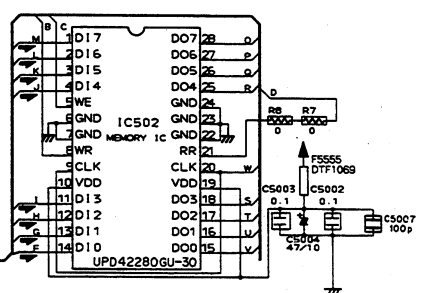
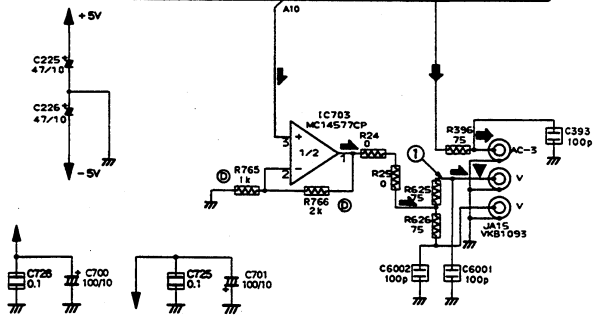
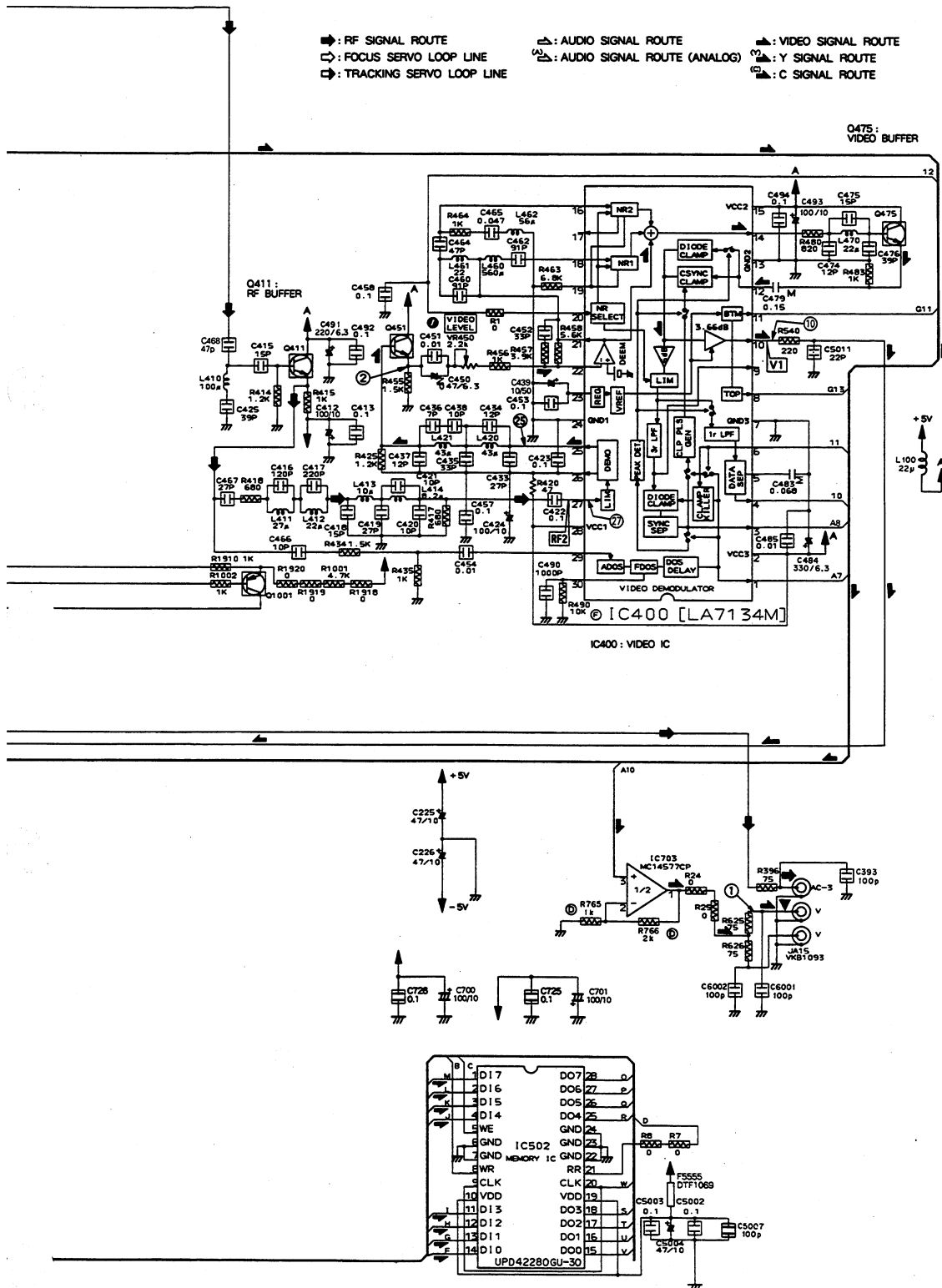
GF 2/3 MOTHER ASSY (VWS1304)

- : RF SIGNAL ROUTE
- ⇨ : FOCUS SERVO LOOP LINE
- ⇨ : TRACKING SERVO LOOP LINE
- ⚡ : AUDIO SIGNAL ROUTE
- ⚡ : AUDIO SIGNAL ROUTE (ANALOG)
- ⚡ : VIDEO SIGNAL ROUTE
- ⚡ : Y SIGNAL ROUTE
- ⚡ : C SIGNAL ROUTE

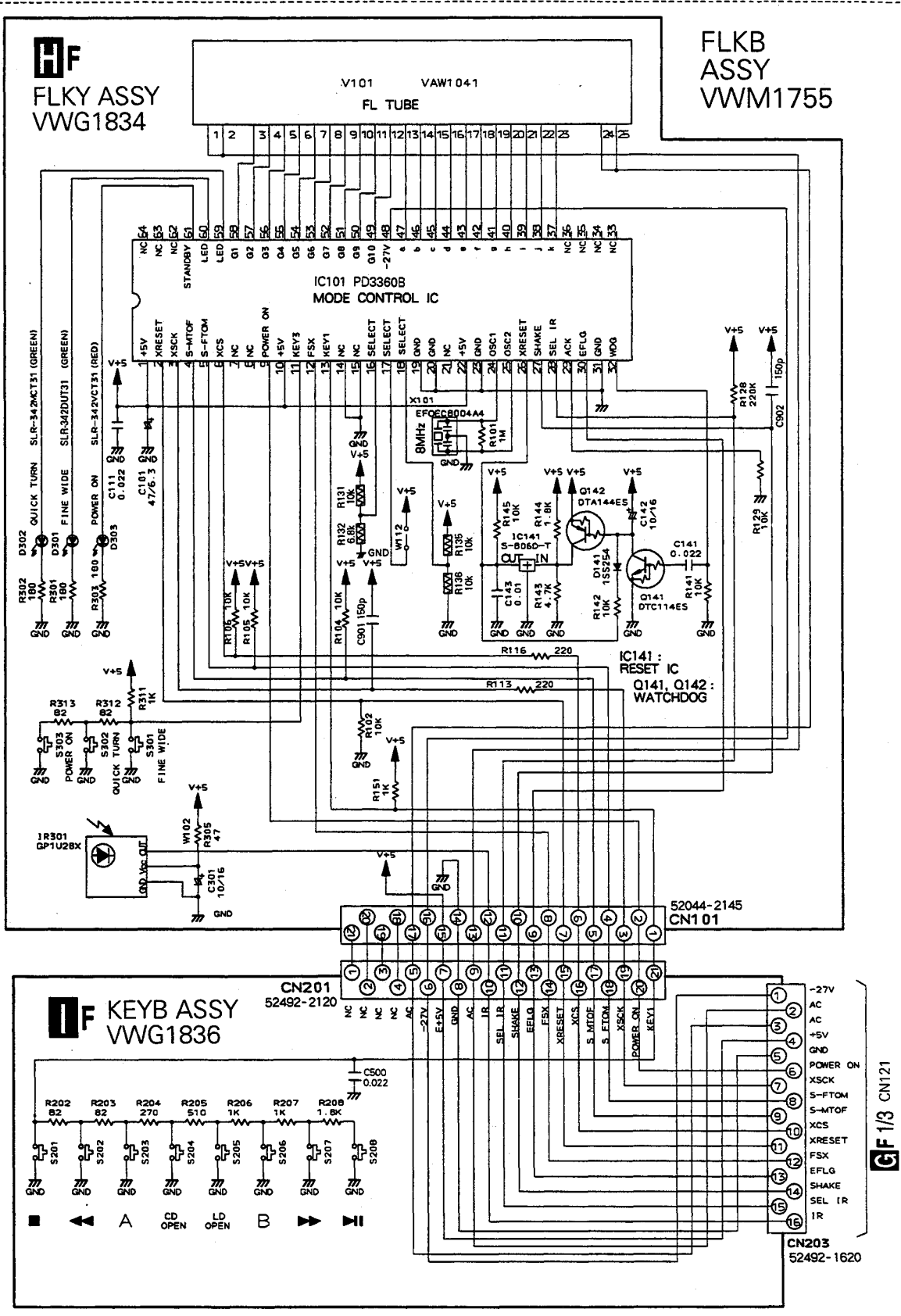




- | | |
|--------------------------------|----------|
| 01001, 0102, 0753, 0916 | 2P9709A |
| 0201, 0202, 0391, 0393, 0394, | 2P0601A |
| 0451, 0475, 0805, | |
| 09001, 0903, 0904, 0907, 0908, | |
| 0915, 0917 | |
| 0834 | 2S4854S |
| 0411, 0803 | 2S2412K |
| 0152 | 2S33802K |
| 0204, 0205 | 2S0214AS |
| 0208, 0301, 0302, 0392, 0918 | DTA124EK |
| 0103, 0303, 0901, 0910 | DT124EK |
| 0840 | FM11A |
| 0334 | 2S4854S |
| 0411, 0803 | 2S2412K |
| 0152 | 2S33802K |
| 0204, 0205 | 2S0214AS |
| 0208, 0301, 0302, 0392, 0918 | DTA124EK |
| 0103, 0303, 0901, 0910 | DT124EK |
| 0840 | FM11A |



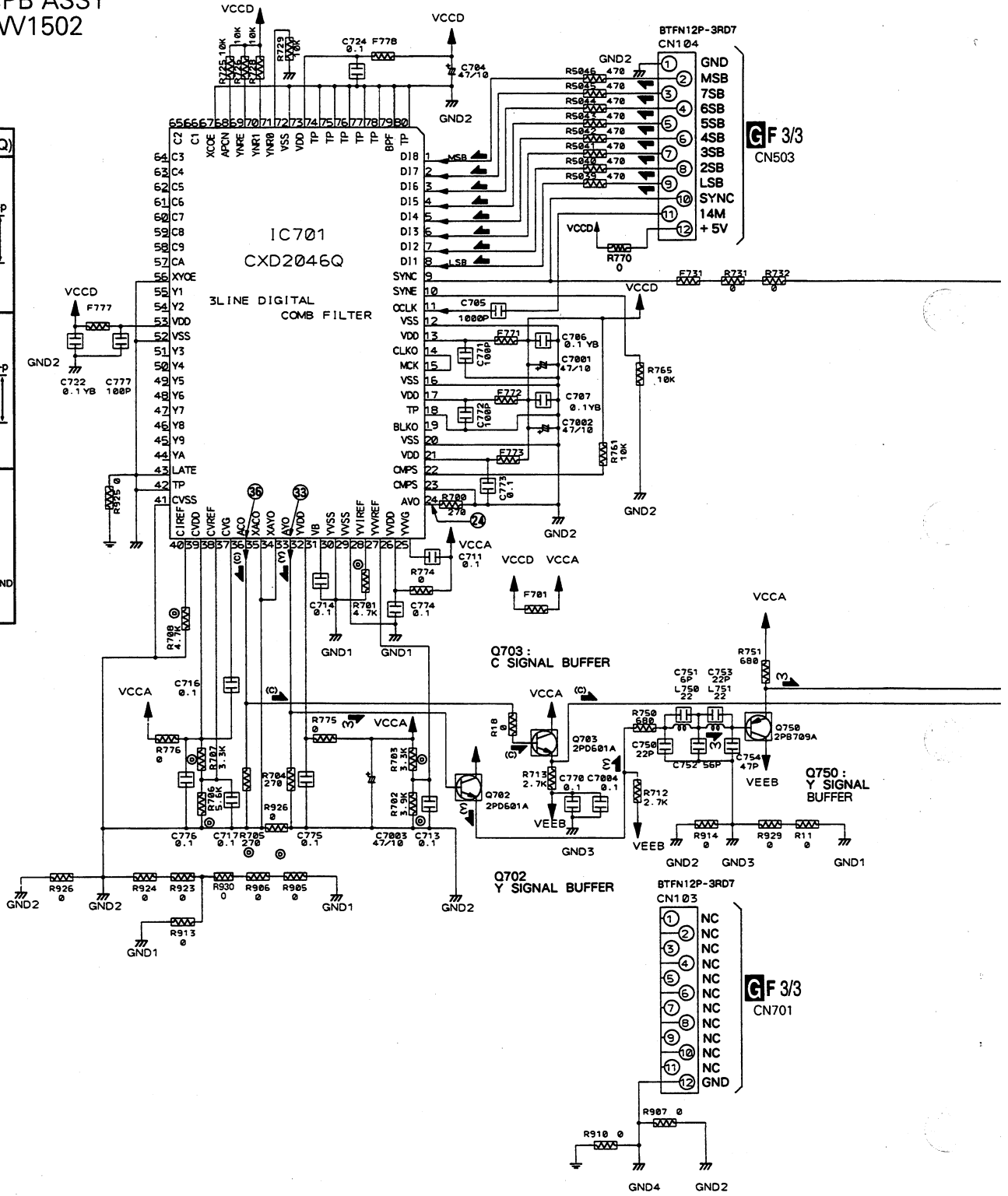
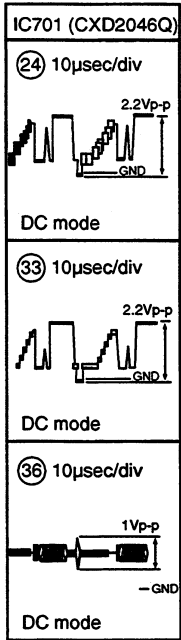
2.4 FLKY AND KEYB ASSEMBLIES

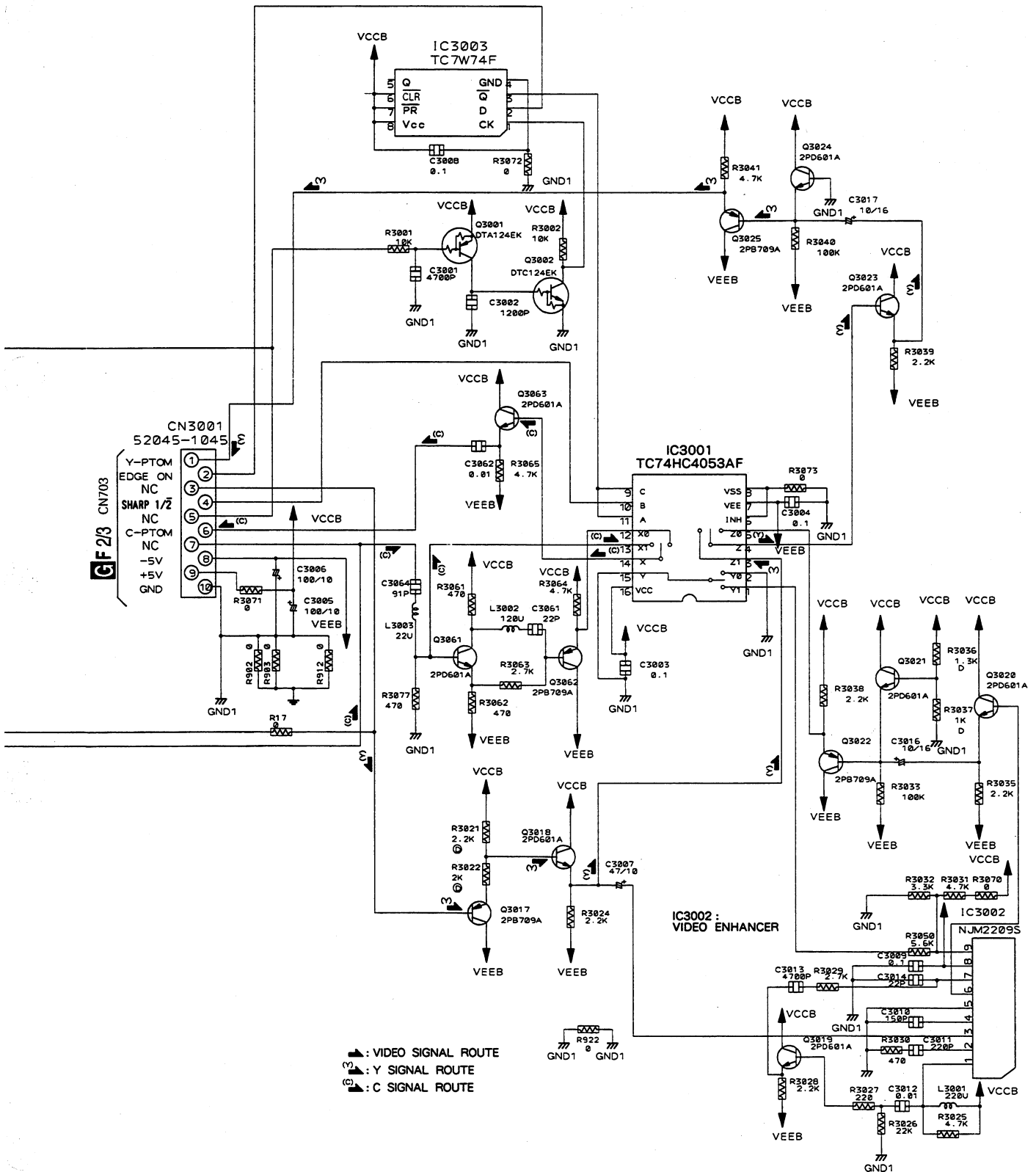


2.5 YCPB ASSY



YCPB ASSY
VWV1502


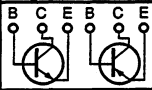
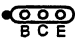
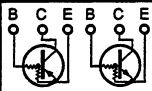

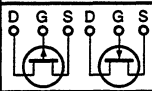

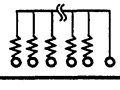

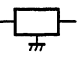




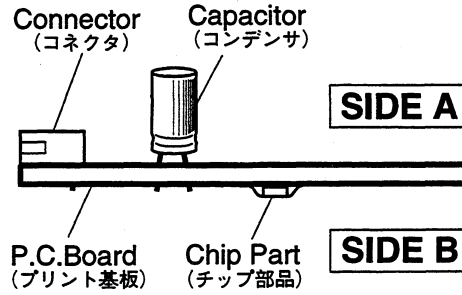
3. PCB CONNECTION DIAGRAM

NOTE FOR PCB DIAGRAMS :

1. Part numbers in PCB diagrams match those in the schematic diagrams.
2. A comparison between the main parts of PCB and schematic diagrams is shown below.

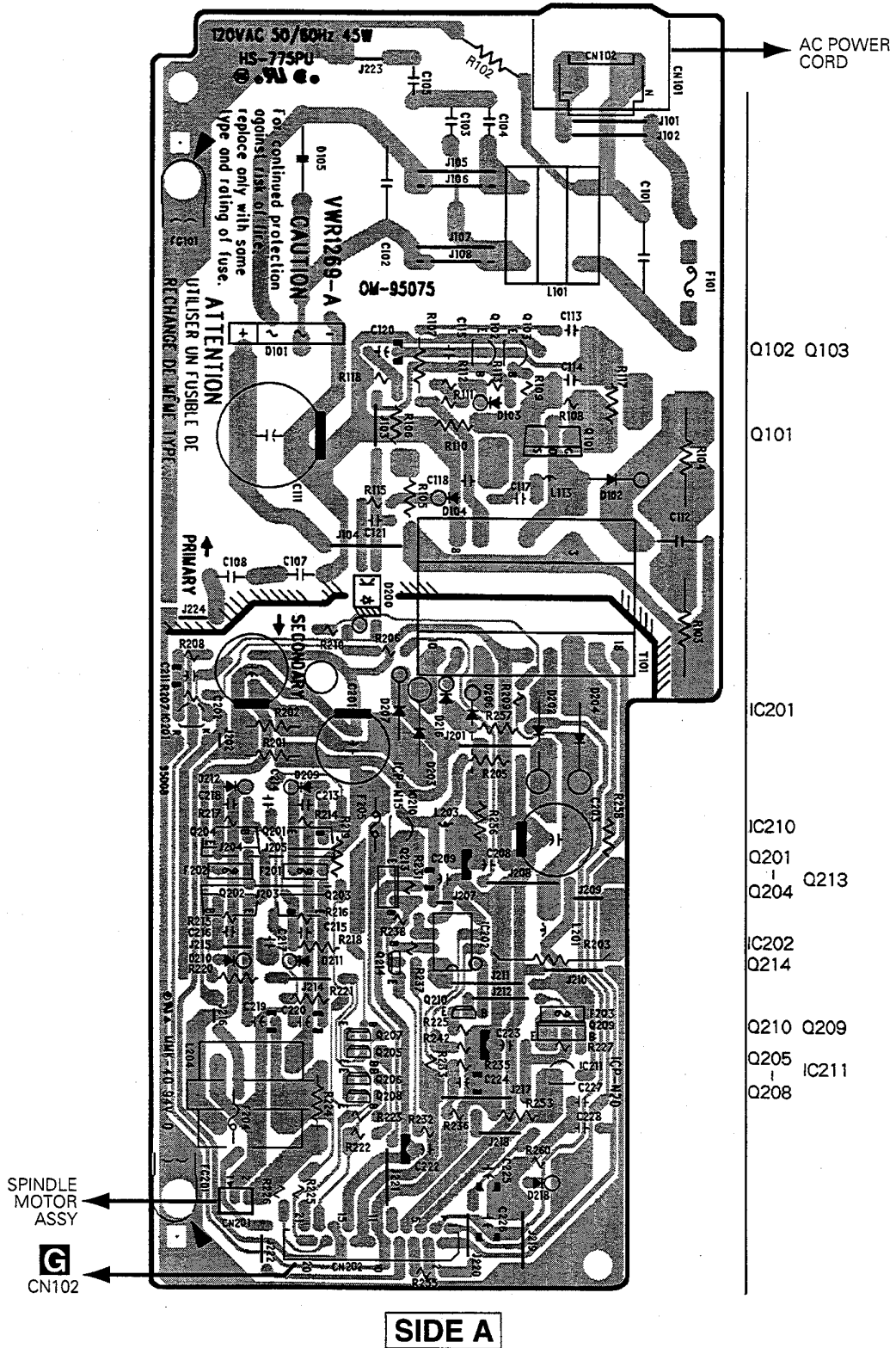
| Symbol In PCB Diagrams | Symbol In Schematic Diagrams | Part Name |
|---|---|--------------------------|
|  |  | Transistor |
|  |  | Transistor with resistor |
|  |  | Field effect transistor |
|  |  | Resistor array |
|  |  | 3-terminal regulator |

3. The parts mounted on this PCB include all necessary parts for several destinations.
For further information for respective destinations, be sure to check with the schematic diagram.
4. View point of PCB diagrams.



3.1 POWER SUPPLY ASSY

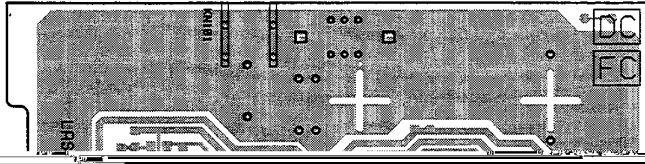
FF POWER SUPPLY ASSY



CLD-D606

3.2 YCPB ASSY

JF YCPB ASSY



JF YCPB ASSY

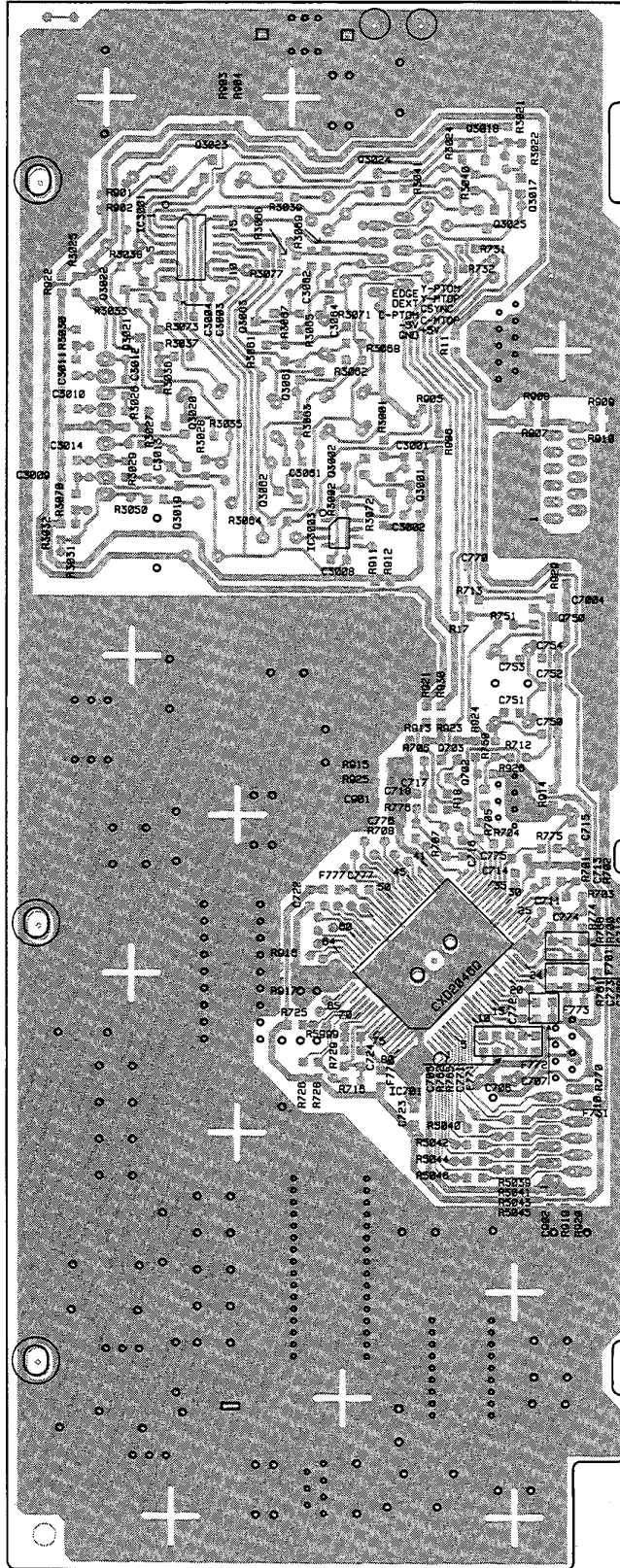
- Q3018
- Q3023 Q3024
- Q3017
- Q3025
- IC3001
- Q3022
- Q3063
- Q3021
- Q3061
- Q3020
- Q3002
- Q3062
- Q3001
- Q3019 IC3003

Q750

Q703

Q702

IC701



SIDE B

