

## **Cleaning the Objective Lens on the LD-V8000**

**It is strongly recommended that the following Objective Lens Cleaning Procedure be performed by a Pioneer Authorized Service Technician. If you decide to clean the objective lens yourself, you run the risk of voiding your player's warranty. Call 1-800-872-4159 for the nearest Pioneer Authorized Service Center.**

### **I. Symptoms**

Below are a few steps to use to determine if lens cleaning is required on the LD-V8000.

- 1) The player may behave in a bizarre manner, possibly performing unidentified track searches and track skipping. You will notice entire frames are skipped or missed during searches.
- 2) By following the instructions (on page 2 and 3 of this bulletin) for removing the player's top and repositioning a movable circuit board, you can view the objective lens. By shining a flashlight on the objective lens, you can determine whether or not the lens needs cleaning.
- 3) At this point, performing RF measurements would be suggested, but only by qualified service personnel.

### **II. Materials / Tools Required**

- 1) FREON TF cleaning solution in a spray can is available in most electronic stores such as Radio Shack (Part #44-1170).
- 2) Pioneer Optical Cleaning paper (Part #GED-008) may be obtained through Pioneer Parts Department, Dealers Call 800-457-2881; End Users Call: 800-228-7221.
- 3) No.1 Phillips screwdriver.

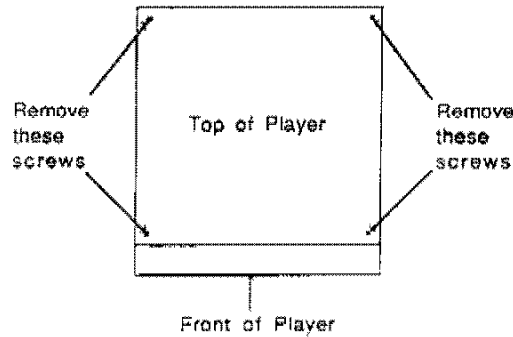
### **III. Preparation**

- 1) Open the player's disc drawer.
- 2) Pull the power plug.

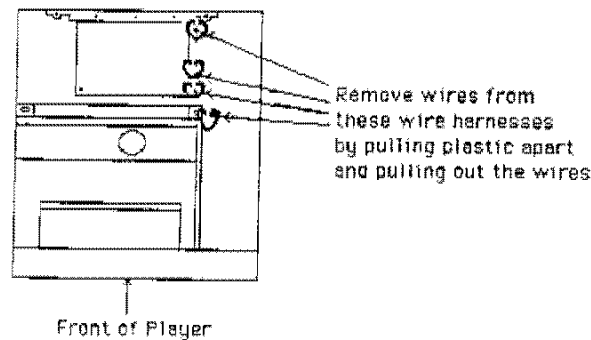
*Continued on next page*

**III. Cleaning Method**

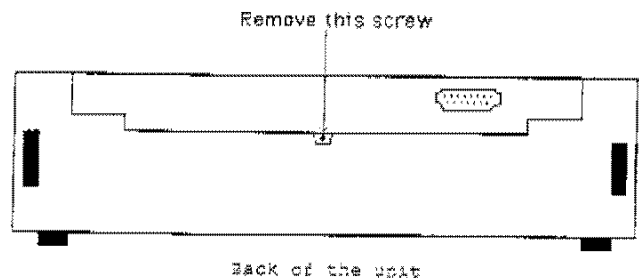
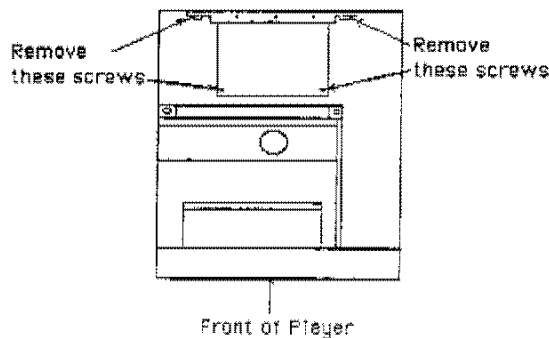
1) First, remove the screws from the top cover of the LD-V8000 and slide off the top cover.



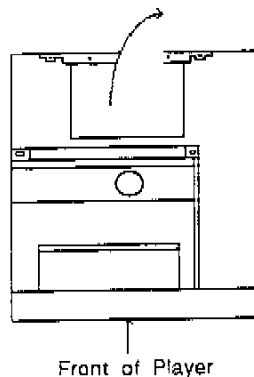
2) Second, remove the wires from the four wire harnesses inside the player as shown in the diagram below. Pull the plastic apart to pull out the wires.



3) Next, remove the four screws that hold a circuit board at the rear of the player in place, as indicated in the diagram below. Also remove a fifth screw in the back of the player, as indicated.



4) Pull the circuit board up as depicted by the arrow in the diagram below. Then slide the board to the right and slide the tabs into small slots provided for them, holding the board upright. You will see the objective lens beneath this circuit board.



5) Roll up (in a fairly wide roll) a single sheet of lens cleaning paper. Bend the rolled up paper in the middle and place it over the tip of a blunt instrument, such as a round nose tweezer or hemostat, to make a soft cushion at the end of the tool. **NOTE:** Handle the paper only by the edges. Do not touch the paper in the area where it will be applied to the lens surface. Finger oil can be transferred to the paper, and then onto the lens. This can actually make the contamination problem worse than before. **WARNING:** Do not use a sharp tool, as it may damage the lens.

7) Spray the FREON TF solution on the paper tip of the tool and shake off the excess solution. **CAUTION:** Do not spray the solution directly onto the objective lens.

8) Wipe across the surface of the objective lens in one direction only. Do not use a circular motion. Replace the paper with a clean one after every two to three wipes. **CAUTION:** Apply minimal pressure when in contact with the lens. Too much pressure may damage the lens assembly.

9) If these cleaning procedures do not adequately remove foreign material, lens replacement may be required.