



GDD-1

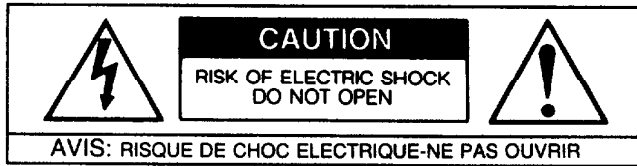
Dolby® Digital Decoder



OWNER'S MANUAL

THE FOLLOWING PRECAUTIONS AND SAFETY INSTRUCTIONS ARE REQUIREMENTS OF UL AND CSA SAFETY REGULATIONS

Warning: To reduce the risk of fire or electric shock, do not expose this unit to rain or moisture.



The graphic symbol of a lightning flash with an arrow point within a triangle signifies that there is dangerous voltage within the unit and it poses a hazard to anyone removing the cover to gain access to the interior of the unit. Only qualified service personnel should make any such attempt.



The graphic symbol of an exclamation point within an equilateral triangle warns a user of the device that it is necessary to refer to the instruction manual and its warnings for proper operation of the unit.



Do not place this unit on an unstable cart, stand, tripod, bracket, or table. The unit may fall, causing serious injury to a child or adult, and serious damage to the unit. Use only with a cart, stand, tripod, bracket, or table recommended by the manufacturer, or sold with the unit. Any mounting of the device should follow the manufacturer's instructions, and should use a mounting accessory recommended by the manufacturer.

Read all the safety and operating instructions before connecting or using this unit.

Retain this notice and the owner's manual for future reference.

All warnings on the unit and in its operating instructions should be adhered to.

All operating and use instructions should be followed.

Do not use this unit near water; for example, near a bathtub, washbowl, kitchen sink, laundry tub, in a wet basement, or near a swimming pool.

The unit should be installed so that its location or position does not interfere with its proper ventilation. For example, it should not be situated on a bed, sofa, rug, or similar surface that may block the ventilation openings; or placed in a built-in installation, such as bookcase or cabinet, that may impede the flow of air through its ventilation openings.

The unit should be situated away from heat sources such as radiators, heat registers, stoves, or other devices (including amplifiers) that produce heat.

The unit should be connected to a power-supply outlet only of the voltage and frequency marked on its rear panel.

The power-supply cord should be routed so that it is not likely to be walked on or pinched, especially near the plug, convenience receptacles, or where the cord exits from the unit.

Clean unit only as recommended in its instruction manual.

The power-supply cord of the unit should be unplugged from the wall outlet when it is to be unused for a long period of time.

Care should be taken so that objects do not fall, and liquids are not spilled, into the enclosure through any openings.

- This unit should be serviced by qualified service personnel when:
- A The power cord or the plug has been damaged, or
 - B Objects have fallen, or liquid has been spilled, into the unit, or
 - C The unit has been exposed to rain, or liquids of any kind, or
 - D The unit does not appear to operate normally, or exhibits a marked change in performance, or
 - E The device has been dropped, or the enclosure damaged.

**DO NOT ATTEMPT SERVICING OF THIS UNIT YOURSELF.
REFER SERVICING TO QUALIFIED SERVICE PERSONNEL.**

ATTENTION

POUR PRÉVENIR LES CHOCS ÉLECTRIQUES NE PAS UTILISER CETTE FICHE POLARISÉE AVEC UN PROLONGATEUR, UNE PRISE DE COURANT OU UNE AUTRE SORTIE DE COURANT, SAUF SI LES LAMES PEUVENT ÊTRE INSÉRÉES À FOND SANS EN LAISSER AUCUNE PARTIE À DÉCOUVERT.

CAUTION

TO PREVENT ELECTRIC SHOCK DO NOT USE THIS POLARIZED PLUG WITH AN EXTENSION CORD, RECEPTACLE OR OTHER OUTLET UNLESS THE BLADES CAN BE FULLY INSERTED TO PREVENT BLADE EXPOSURE.

CAUTION POWER LINES

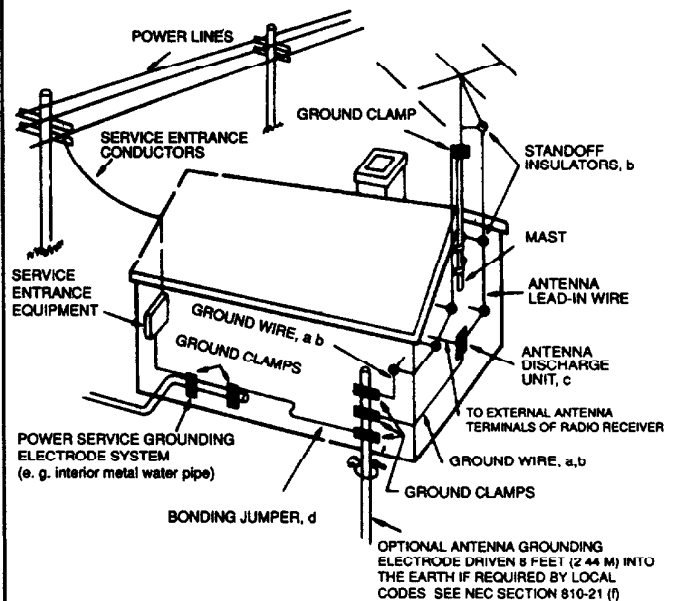
Any outdoor antenna must be located away from all power lines.

OUTDOOR ANTENNA GROUNDING

If an outside antenna is connected to your tuner or tuner-preamplifier, be sure the antenna system is grounded so as to provide some protection against voltage surges and built-up static charges. Section 810 of the National Electrical Code, ANSI/NFPA No. 70-1984, provides information with respect to proper grounding of the mast and supporting structure, grounding of the lead-in wire to an antenna discharge unit, size of grounding conductors, location of antenna discharge unit, connection to grounding electrodes, and requirements for the grounding electrode.

- a. Use No.10 AWG (5.3 mm²) copper, No.8 AWG (8.4 mm²) aluminum, No.17 AWG (1.0 mm²) copper-clad steel or bronze wire, or larger, as a ground wire.
- b. Secure antenna lead-in and ground wires to house with stand-off insulators spaced from 4-6 feet (1.22-1.83 m) apart.
- c. Mount antenna discharge unit as close as possible to where lead-in enters house.
- d. Use jumper wire not smaller than No.6 AWG (13.3 mm²) copper, or the equivalent, when a separate antenna-grounding electrode is used. See NEC Section 810-21 (j).

EXAMPLE OF ANTENNA GROUNDING AS PER NATIONAL ELECTRICAL CODE INSTRUCTIONS
CONTAINED IN ARTICLE 810 - RADIO AND TELEVISION EQUIPMENT



NOTE TO CATV SYSTEM INSTALLER

This reminder is provided to call the CATV system installer's attention to Article 820-22 of the National Electrical Code that provides guidelines for proper grounding and, in particular, specifies that the cable ground shall be connected to the grounding system of the building, as close to the point of cable entry as practical.

This equipment generates and uses radio frequency energy and if not installed and used properly, that is, in strict accordance with the manufacturer's instructions, may cause interference to radio and television reception. It has been type tested and found to comply with the specifications Subpart J of Part 15 of FCC rules, which are designed to provide reasonable protection against such interference in a residential installation. However, there is no guarantee that interference will not occur in a particular installation. If this equipment does cause interference to radio or television reception, which can be determined by turning the equipment on and off, the user is encouraged to try to correct the interference by one or more of the following measures .

- reorient the receiving antenna
- relocate the processor with respect to the receiver
- move the processor away from the receiver
- plug the processor into a different outlet so that the processor and receiver are on different branch circuits.

If necessary, the user should consult the dealer or an experienced radio/television technician for additional suggestions. The user may find the following booklet prepared by the Federal Communications Commission helpful: "How to identify and Resolve Radio - TV Interference Problems". This booklet is available from the US Government Printing Office, Washington, D.C., 20402, Stock No. 004-000-00345-4.

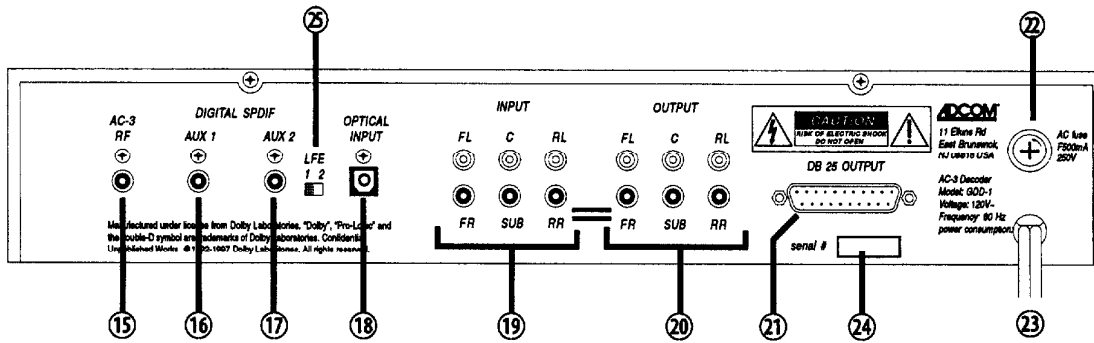
Caution – Use of controls or adjustments or performance of procedures other than those specified herein may result in hazardous radiation exposure.

Caution – To prevent electrical shock, do not use the polarized plug with an extension cord or receptacle, or other outlet unless the blades can be fully inserted to prevent blade exposure.

Thank you and congratulations on your decision to purchase the ADCOM GDD-1 Dolby Digital Processor. The GDD-1 has been designed to add the latest Home Theater technology to most existing home theater systems. To deliver the highest possible performance, ADCOM designers and engineers utilized the most advanced digital signal processing "engines" available, the Motorola 56000 series. The GDD-1 uses in combination the 56007 and 56009 processors for full 24 bit Dolby Digital decoding and digital bass management. For the most clarity and impact we chose a high precision six channel 20 bit Digital to Analog converter. To realize the full potential of your new processor, and before making any connections to it, please read these operating instructions thoroughly.

ADCOM PROTECTION PLAN (USA ONLY)

ADCOM offers the enclosed valuable Limited Warranty. Please read the details on the Warranty Card carefully to understand the extent of the protection offered by the Warranty, its reasonable limitations, and what you should do in order to obtain its benefits. Be sure to verify that the serial number printed on the rear panel matches the serial number on the outer carton. If any number is altered or missing, you should notify us immediately in order to ensure that you have received a genuine ADCOM product which has not been opened, mishandled, or tampered with in any way. Always retain your original sales receipt as a proof of purchase.



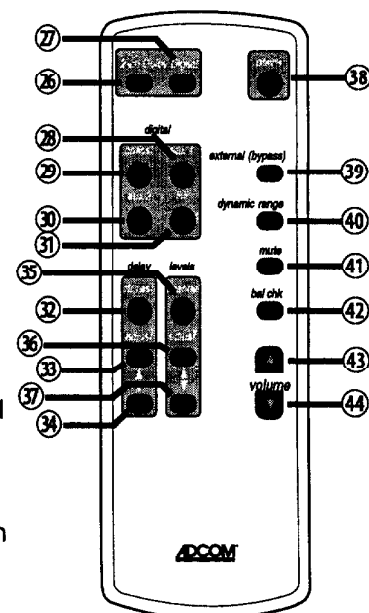
1.2 GDD-1 Rear Panel

- ⑮ AC-3 RF Input - Use with Laser Disc players equipped with AC-3 Dolby Digital outputs. Do not connect conventional audio outputs of a laserdisc player to this input.
- ⑯ Aux 1 Digital Input - Digital signal (AC-3/PCM) input jack for use with digital sources such as DVD players or future sources such as HDTV.
- ⑰ Aux 2 Digital Input - Digital signal (AC-3/PCM) input jack.
- ⑱ Optical Input - Toslink optical digital signal (AC-3/PCM) input jack for use with digital sources such as DVD players or future sources such as HDTV.
- ⑲ Line-level RCA Input Jacks - Connects to Preamp outputs
- ⑳ Line-level RCA Output Jacks - Connects to Amplifier inputs
- ㉑ DB-25 6 channel output - Designed for easy integration with the ADCOM GSA-700 Surround Processor amplifier. This connection may be used for connection with other compatible equipment. Contact your ADCOM retailer to purchase a suitable cable. To maintain best system performance ADCOM does NOT recommend the use of non-audio grade "computer type" cables.
- ㉒ Protection Fuse - Always replace with exact replacement, see section 4.0 "Troubleshooting".
- ㉔ Product Serial Number - Use this for customer service. ADCOM recommends recording this information on page 2 of this manual for convenient reference.
- ㉕ LFE switch - Bass Management selection (See section 3.3), this control determines the amount of low frequency energy directed to the low frequency channel when decoding Dolby Digital signals.

1.3 GDD-1 Remote Control

The remote control largely duplicates the control functions on the front panel of the GDD-1. For a more complete explanation of a function refer to section 1.1, GDD-1 Front Panel.

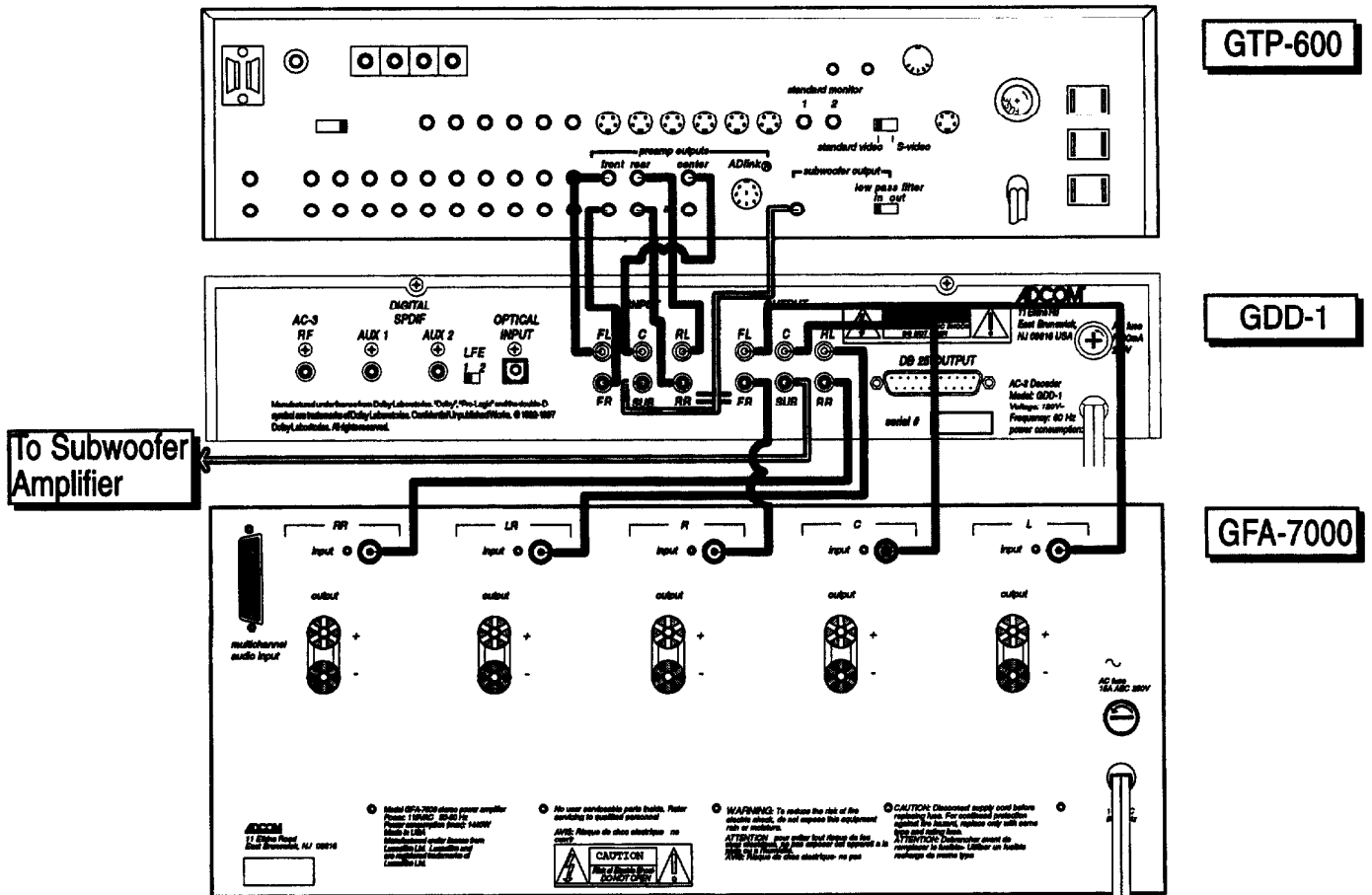
- ⑳ 2-channel - Reserved for future system enhancements.
 - ㉑ Dolby Digital - Turns decoding circuitry on (cancels bypass).
 - ㉒-㉔ Input selection buttons
 - ㉕ Center/rear channel selector
 - ㉖-㉗ Delay time adjust +/-
 - ㉘ Channel selector
 - ㉙-㉚ Channel level adjust +/-
 - ㉛ Power on/off
 - ㉜ External (bypass)
 - ㉝ Dynamic range indexing button
 - ㉞ Audio mute button
 - ㉟ Balance check - Turns on or off noise generator for system level adjustment
 - ㊱-㊲ Master volume up/down
- Note:** Several pushes of the up/down button may be required to raise or lower volume over the entire adjustment range.



2.0 Connections

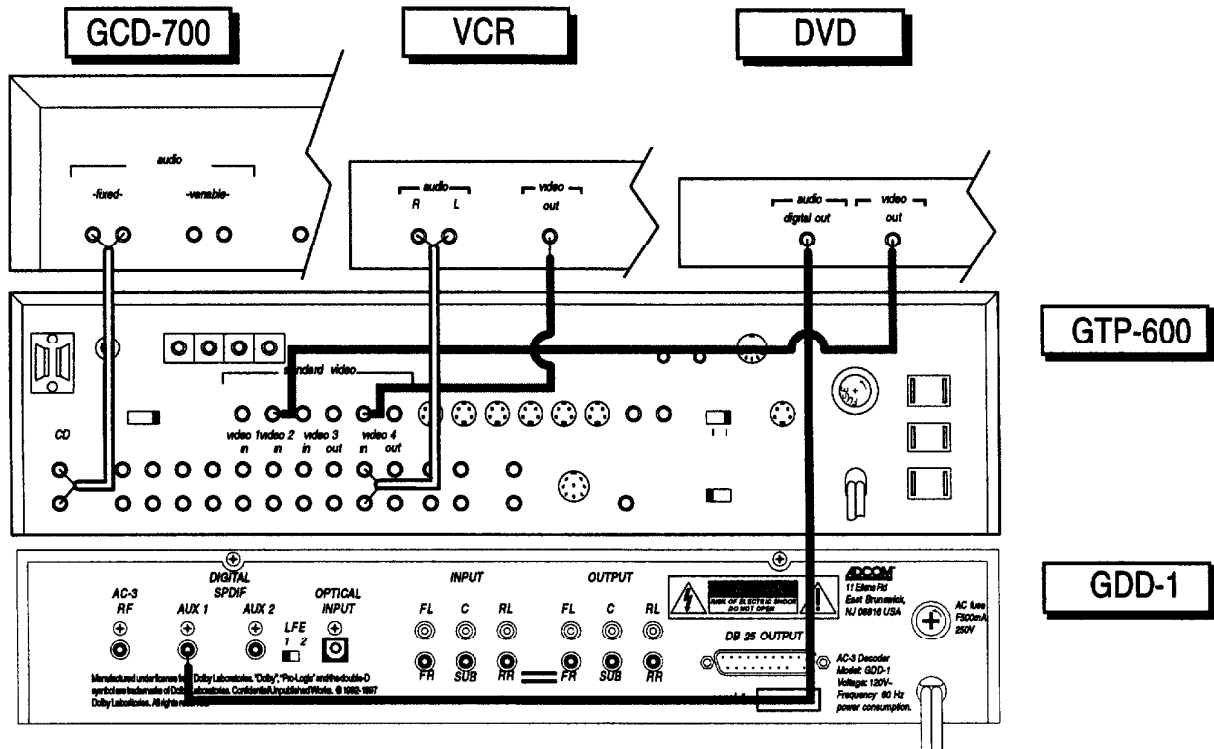
2.1 Connecting the GDD-1 to the Preamp and Amp

The GDD-1 is wired between your Tuner-Preamp or preamp and your 5 channel amplifier and a powered subwoofer (optional). On the rear panel of the GDD-1 there are 6 RCA analog inputs (FL,FR,C,Sub,RL,RR) that should be connected to the outputs from your Tuner-Preamp. The 6 analog outputs from the GDD-1 are connected to the inputs of your amplifier(s) and powered subwoofer (see diagram below). When a digital input is selected on the front panel of the GDD-1, the GDD-1 decodes the audio signal and sends it directly to the amplifier(s). When listening to an analog audio source that is connected to your Tuner-Pre-amp, like a VCR, the GDD-1 must be in Bypass mode. When the GDD-1 is in Bypass mode it passes the signal directly from it's six analog inputs to the six analog outputs without any processing.



2.2 Connecting Source Components to the GDD-1

When hooking a source such as a DVD to your system, the GDD-1 will decode the digital audio stream but the Tuner-Pre-amp is still used for video switching as depicted above. Note in this case you would select Aux 1 input on the GDD-1 for the audio portion of the signal and Video 2 on the GTP-600 to select the proper video signal.



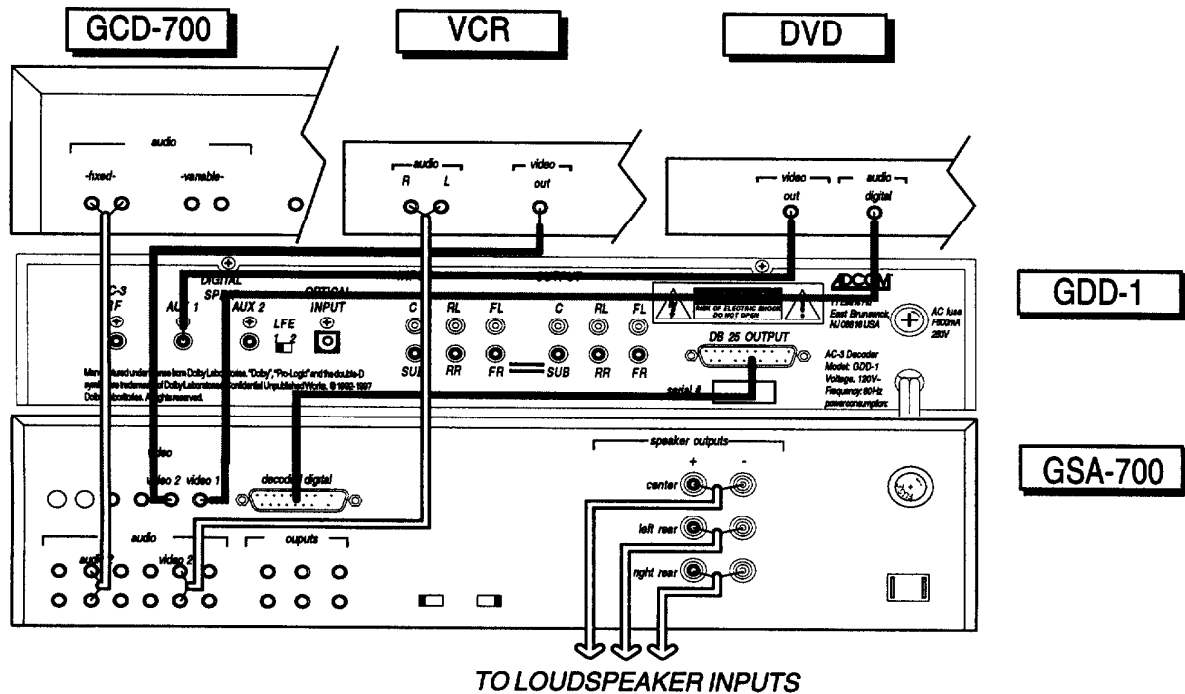
2.3 Connecting the GDD-1 to the GSA-700.

Connect the DB25 connector output of the GDD-1 to the DB25 connector on the rear of the GSA-700. Select "decoded digital input" on the front panel (or by GSA-700 remote control) on the GSA-700 when you wish to use the GDD-1. The GDD-1 will control the Master Volume level for all digital signals routed through the GDD-1. The volume control on the GSA-700 should be set initially to approximately the 1:00 'o clock position. You may find after some adjustment, another adjustment to be appropriate. If you are using the GSA-700 for switching video signal it will continue to operate as the video switcher.

A note about cables, ADCOM does not recommend the use of inexpensive "computer type" DB-25 to DB-25 (male to female) cable. Consult with your retailer about obtaining audio grade cable. If you cannot locate a DB-25 to DB-25 you may substitute a DB-25 male to 6 channel male RCA, in this case the DB-25 end (male) is connected to GSA-700, and RCA end is connected to GDD-1 outputs.

2.4 Connection to "Dolby Digital ready" receiver or pre-amp.

Connection is probably similar to that of the connection to the GSA-700 (below). However your connection may require the use of RCA type cables to connect the output of the GDD-1 to your component. Consult the manual or manufacturer of the receiver or pre-amp for exact connection recommendations.



3.0 GDD-1 Set-up and Operation

The GDD-1 is basically a digital audio pre-amp / processor. Due to the variety of situations that it will be used in we have tried to make the unit as flexible as possible. As you use the unit you will probably find that after you have made some initial choices for setup, adjustments are not usually required.

The GDD-1 will accept digital inputs from several different digital sources, in all cases the digital "datastream" is delivered using two different methods, coaxial S/PDIF which uses a RCA type coaxial cable (not included), or optical TosLink which requires a special optical cable available from your dealer.

Important Note: To adjust any levels (channel level, delays) it is required to have an active 5.1 channel input selected with incoming data. Connect a digital source such as DVD, load with a 5.1 encoded disc and press play before attempting to adjust levels.

3.1 Setting the Channel delay for the center and rear speakers:

For optimum Dolby Digital performance, the sound coming from all the speakers should arrive at the prime listening position at the same time. Since speakers are different distances away from the listener sound will arrive sooner from the speakers that are closer and later from the speakers that are further away.

First measure or estimate the distance the prime listening location (PLL) is from the front left and right speakers. Next, measure the distance from the center speaker to the prime listening location(PLL). Usually the distance from the center channel to the PLL will be shorter or the same when compared to the distance to the main speakers. If the center channel is the same distance from the PLL, the center channel delay should be set to zero. If the center channel is closer to the PLL than the main speakers the sound coming from it will arrive too early, so we need to delay the center channel signal so the sound from the front three speakers arrives simultaneously. Sound travels approximately 1 foot every .001 sec (1ms) so for every foot closer the center channel is than the main speakers the delay will be set 1ms for each foot. For example, if your main speakers are 10 feet away and your center channel is 7 feet away, the center channel delay should be set to 3 ms (10-7=3).

To adjust the delay use the GDD-1 remote control. First, push the delay button until the center channel status LED, in the center of the front panel, flashes. Then use the adjust arrow keys to set the delay which is displayed on the left hand side of the front panel in a bank of LEDs ranging from none to 5ms. Once the delay is set for the center channel the rear channel delay needs to be set. The process is the same, first compare how much closer the rear channels are to the prime listening location than are the main left and right speakers. Then set the delay for the rear channels to 1 ms for every foot closer the rear channels are when compared to the front speakers. The range of adjustment is 0-15 ms.

Note! you must push the delay button on the remote until the rear channels status LED on the front panel is flashing, then use the adjust arrow keys to select the appropriate delay.

3.2 Dynamic Range Adjust

The GDD-1 is equipped with the dynamic range adjust feature which reduces the differences between loud and soft levels in the program material. If you have ever been concerned about waking up a sleeping member of your household while you watch a massive explosion in a movie, you understand why the Dynamic Range adjust feature is useful. When the full/normal LED is on, you are experiencing the dynamics of the program material as it was recorded. When the 25% LED is on, the GDD-1 is providing maximum limiting of how loud the signal goes while simultaneously boosting the very soft passages slightly so you can still understand the dialog. The 50% and 75% settings provide additional range selections which fit between full dynamic range and the most constricted dynamic range (25%). The dynamic range can also be adjusted via the remote control.

3.3 LFE Adjust

When decoding Dolby Digital the low frequency effects have their own channel (the .1 channel). If your system has front and center speakers of equal quality and a powered subwoofer you should set the LFE control to **LFE 1**. If you do not have a powered subwoofer, then select **LFE 2**. In the **LFE 2** position the low frequency information that would be directed to the subwoofer in **LFE 1** is mixed with the signal to the left front and right front speakers.

3.4 Level Adjust

For the best quality playback, all the speakers in your system should be adjusted to equal output signal levels. The channel level adjust feature allows you to match the output level of your center and rear speakers to the level of your main left and right speakers.

With Noise Sequencer - To balance the level of your system first push the Bal Chk button @ on the remote. You will hear a noise signal which is played sequentially from Left, Center, Right, Right Rear, Left Rear, (not subwoofer). To adjust the level of a channel wait for the sequencer to activate the desired channel. Once the noise is playing through the channel to be adjusted immediately start adjusting the level by pressing either of the adjust buttons (up or down) in the "levels" column on the remote control. The channel being adjusted will not sequence as long as level adjustments are being made. When you have reached the proper level, stop pressing the button and the noise sequencer will cycle to the next channel. Pressing Bal Chk on the remote will turn off sequencer.

Manual level adjust - If a particular channel requires adjustment while playing a digital source, use the Levels adjust on the remote. To select the channel to be adjusted, press the Channel button until the LED on the front panel corresponding to the channel to be adjusted is flashing. Press either of the adjust buttons (up or down) in the "levels" column on the remote control to raise or lower the level of the channel. The LED will stop blinking a few seconds after the adjustments have been made.

3.5 Playback mode selection and system configuration:

Dolby Digital Stereo Downmix - The GDD-1 offers a 2 channel Dolby Digital Stereo Downmix in this mode, all 5.1 channels are "mixed down" into 2 channels. The digital signal processing software will also encode this stereo signal in Dolby Pro-Logic, allowing for decoding by analog equipment. To select this mode repeatedly press the Dolby Digital button (front panel or remote) until only the **L** and **R** front panel LED indicator lights are lit. In this mode there is **no** signal present at the subwoofer output, although LED is illuminated..

Surround Modes:

Dolby Digital 3 Stereo - This mode is designed to provide a surround experience when only three speakers are present. To select this mode repeatedly press the Dolby Digital button (front panel or remote) until only the **L**, **C**, **R** and **sub** front panel LED indicator lights are lit. In this mode there is signal present at the subwoofer output.

Digital Phantom - This mode is designed to accommodate a system where a center channel speaker is either not available or practical. In this mode center channel information is re-directed to the Left and Right front speakers to simulate the performance of a center channel speaker. To select this mode repeatedly press the Dolby Digital button (front panel or remote) until only the **L**, **R**, **LR**, **RR** and **sub** front panel LED indicator lights are lit. In this mode there is signal present at the subwoofer output.

Dolby Digital 5.1 - This mode is designed for the fully configured surround system with five speakers and optional powered subwoofer. To select this mode repeatedly press the Dolby Digital button (front panel or remote) until the **L**, **C**, **R**, **LR**, **RR** and **sub** front panel LED indicator lights are lit (all six). In this mode there is signal present at the subwoofer output.

4.0 Trouble Shooting

SYMPTOM	POSSIBLE REASON	POSSIBLE SOLUTION
Power LED does not glow. No sound.	AC Power Cord not plugged in AC Fuse failed	Plug in AC Power Cord Replace AC Fuse
Power LED glows, but no sound.	Pre-amp or source unit is not on Connections in rear of amp are loose.	Make sure all components are on. Verify all connections on rear of amp
One channel not producing sound.	Input or Output connector disconnected or loose. Speaker disconnected	Verify both connections on that channel Verify connection at speaker
Hum from all speakers at any volume.	Ground loop (difference in ground voltages between components)	If cable TV is present (<i>see Note 1</i>) If cable TV is not present (<i>see Note 2</i>)
Hum from all speakers (hum goes up or down with volume control)	Problem with source unit (CD,DVD, etc.), or RCA cable connecting that source unit to the pre-amp / power amp.	Try different source (CD, etc.) and/or different RCA cable
Hum from amplifier itself (does not vary with volume)	Some major appliance, dimmer, halogen or fluorescent light is creating interference.	Make sure all appliances, dimmers, and suspect lights are off

Note 1: Cable TV systems can sometimes contribute to ground loop problems which cause "hum". To determine if your cable system is the contributing factor, disconnect the Cable-TV incoming signal line (round, 75W) at the wall, or the first component the cable is connected to (i.e. the cable box, or VCR). If the hum is no longer present, you must insert a "75W Ground Loop Isolator" before reconnecting the line. You should check with your Adcom Dealer to obtain one. If the "75W Ground Loop Isolator" works only partially or not at all, then please read Note 2 to complete the troubleshooting procedure.

Note 2: Make sure that the power amplifier is at least 6" from the Pre-amp and/or Processor. Usually putting another component between them is sufficient to minimize the hum. If this does not reduce the hum, turn the system off and disconnect all inputs from the amplifier. If the hum still persists, then your Dealer or Service Center must examine the amplifier. If the hum disappears, try another set of RCA cables. Connect one RCA cable at a time to see if one specific cable is responsible. If any or all cables cause the hum to appear, then the pre-amp or processor should be evaluated for proper operation by your Dealer or Authorized Service Center.

Fuse replacement: To remove the fuse-holder cap, you will need a #2 Philips type screwdriver. Place the screwdriver in the recessed slot in the cap. Turn the cap counter-clockwise, until the cap pops out towards you. Grasp the cap with your fingers and pull it completely out. The fuse is inserted in the back of the cap; gently pull it free. Replace it with an identical replacement (see chart below for assistance) or bring the fuse to your Adcom dealer so they may check its integrity. To replace the fuse, insert it in the back of the fuse-holder cap. Place the cap into the fuse-holder. Place the screwdriver in the recessed slot, gently press in and turn clockwise until fully inserted, being careful not to over-tighten.

<u>Fuse Rating</u>	<u>BUSS®</u>	<u>Littelfuse®</u>
For 115 volt operation ... 0.5 Amp 250 Volt	AGC-1/2/250V	312500/250V

WARNING

Before attempting to replace a failed fuse, be certain to unplug the AC Power Cord from the AC wall outlet to prevent possible electrical shock. Replace the AC Fuse *only* with one identical in type and rating as printed on the rear panel. **DO NOT USE ANY SUBSTITUTE FUSES WITH DIFFERENT RATINGS OR VALUES.** Failure to observe this precaution may cause serious damage to the amplifier circuits, **MAY CREATE A FIRE HAZARD, AND MAY VOID THE WARRANTY.**

DO NOT SPRAY OR POUR LIQUIDS OF ANY KIND ONTO THE GDD-1.

5.0 Care and Maintenance

ADCOM has taken great care to produce a product that is flawless in appearance as well as performance. To maintain the chassis appearance, simply wipe clean the outer surface using a damp lint free cloth.

6.0 Servicing

ADCOM has a Technical Service Department to answer questions pertinent to the installation and operation of your unit. In the event of difficulty, please contact us for prompt advice. Please have the following information readily at hand: the unit's model and serial numbers, and dealer from which it was bought. If your problem cannot be resolved through our combined efforts, we may refer you to an authorized repair agency, or authorize return of the unit to our factory. To aid us in directing you to a convenient service center, it would be helpful if you indicate which major city is accessible to your home.

Please address mail inquiries to:

ADCOM Service Corporation
11 Elkins Road
East Brunswick, NJ 08816

Phone, Fax or E-mail inquiries to:

Voice: 732-390-1130
Fax: 732-390-5657
Monday through Friday
9:00AM to 5:00PM EST
E-mail: Service@adcom.com

New Location and Telephone Numbers as of June 1998

ADCOM Service Corporation
10 Timber Lane
Marlboro, NJ 07746
USA

Voice: 732-683-2356
Fax: 732-683-2358

UNDER NO CIRCUMSTANCES SHOULD YOUR UNIT BE SHIPPED TO OUR FACTORY WITHOUT *PRIOR AUTHORIZATION*, OR PACKED IN OTHER THAN ITS ORIGINAL CARTON AND FILLERS.

For Fax inquires, please include a return Fax or voice number for the reply. When calling or writing about your GDD-1, be sure to note and refer to its serial number as well as the date of purchase and the dealer from whom it was purchased. In the event the unit must be returned to our factory for service, you will be instructed on the proper procedure when you call or write for a Return Authorization. For warranty coverage, a copy of the original proof of purchase is required. If you have no original copy, please contact your dealer to obtain a duplicate copy.

If the original shipping carton and its fillers have been lost, discarded, or damaged, a duplicate carton may be obtained from our Service Department for a nominal charge.

Always ship **PREPAID VIA UNITED PARCEL SERVICE (UPS) OR OTHER APPROVED CARRIER. DO NOT SHIP VIA PARCEL POST**, since the packing was not designed to withstand rough Parcel Post handling.

FREIGHT COLLECT SHIPMENTS CAN NOT BE ACCEPTED UNDER ANY CIRCUMSTANCES.

7.0 Specifications

Technical Specifications - GDD-1

Rated Output Level.....	1.0V
Output Impedance	<600Ω
THD+N @ Rated Output (20Hz to 20kHz)	≤0.025%
Frequency Response (20Hz to 20kHz)	+0, -0.25dB
IM Distortions (@ Rated Output)	
CCIF (11kHz & 12kHz)	≤0.005%
SMPTE (60Hz & 7kHz)	≤ 0.025%
Signal to Noise Ratio (Ref. to 1 volt)	
“A” Weighted	≥90dB
Cross Talk (1kHz)	≥82dB

General Specifications

Power (available in 230V by special order)	115VAC-50/60Hz
Power Consumption	24 VA
Chassis Dimensions	3" (76mm) x 17" (432mm) x 11¼" (286mm)
Maximum Dimensions	3¼" (83mm) x 17" (432mm) x 11¼"(298mm)
Weight	13 lbs (5.9kg)
Weight, Packed	16 lbs. (7.3kg)

Specifications are subject to improvement or change without notice. Although every effort has been made to ensure physical dimensions are correct, always check dimensions of actual product.

Dolby Digital, AC-3, Dolby Pro-Logic, the Double D and Dolby Digital symbols are registered trademarks of Dolby Laboratories Licensing Corp.

Motorola is a registered trademark of Motorola Corporation.



11 Elkins Road
East Brunswick, NJ 08816
USA

Tel: 732-390-1130

Fax: 732-390-5657

Web: <http://www.adcom.com>

New Location and Telephone Numbers as of June 1998:



10 Timber Lane
Marlboro, NJ 07746
USA

Tel: 732-683-2356

Fax: 732-683-2358

98KFDD01V2.0

PRINTED IN THE USA