

Service Manual

ORDER NO.
RRV1669

STEREO CLD CASSETTE DECK RECEIVER

CL-J35LD-V

CL-J55LD-V

- Refer to the service manual RRV1215 for CL-J35LD/SD and CL-J55LD/SD.

THIS MANUAL IS APPLICABLE TO THE FOLLOWING MODEL(S) AND TYPE(S).

Type	Model		Power Requirement	The voltage can be converted by the following method.
	CL-J35LD-V	CL-J55LD-V		
S/CN	○	○	AC110-115V/120-127V/220-230V/240V	With the voltage selector

CL-J35LD-V, CL-J55LD-V

1. CONTRAST OF MISCELLANEOUS PARTS

NOTES :

- Parts marked by "NSP" are generally unavailable because they are not in our Master Spare Parts List.
- The \triangle mark found on some component parts indicates the importance of the safety factor of the part. Therefore, when replacing, be sure to use parts of identical designation.
- Parts marked by "☉" are not always kept in stock. Their delivery time may be longer than usual or they may be unavailable.

■ FOR CL-J35LD-V/S/CN

CL-J35LD-V/S/CN and CL-J35LD/SD have the same construction except for the following:

Mark	Symbol & Description	Part No.		Remarks
		CL-J35LD/SD	CL-J35LD-V/S/CN	
	INTF Unit	Not used	RWX1125	No. 1 (Refer to SCH-2F)
	Video CD Module	Not used	RD-DVK012-P	No. 2 (Refer to SCH-1F)
	Capacitor (C4)	CEAS470M10	CEAS010M50	For SPDR Unit. Refer to SCH-3F
	Lead Card 30P	Not used	RDD1373	No. 3
NSP	Connector Assy 5P (J20)	Not used	RKP1758	No. 4
NSP	Connector Assy 6P (J30)	Not used	RKP1759	No. 5
NSP	Connector Assy 7P (J10)	Not used	RKP1760	No. 6
NSP	Lead Wire	Not used	ZWNP1007G26-0-05A	No. 7
	Diode (D1, D2)	Not used	1SS254	No. 8
	VCD Barrier	Not used	REC1286	No. 9
	VCD Guard	Not used	REC1287	No. 10
NSP	VCD Angle	Not used	RNE1903	No. 11
NSP	Label	Not used	RRW1263	No. 12
	Screw	Not used	BBZ30P060FMC	No. 13
	Binder	Not used	ZCA-SKB90BK	No. 14
	Operating Instructions (Chinese)	Not used	RRD1187	
	Packing Case	RHG1658	RHG1779	

Note: The numbers in the remarks column correspond to the numbers on the exploded views.

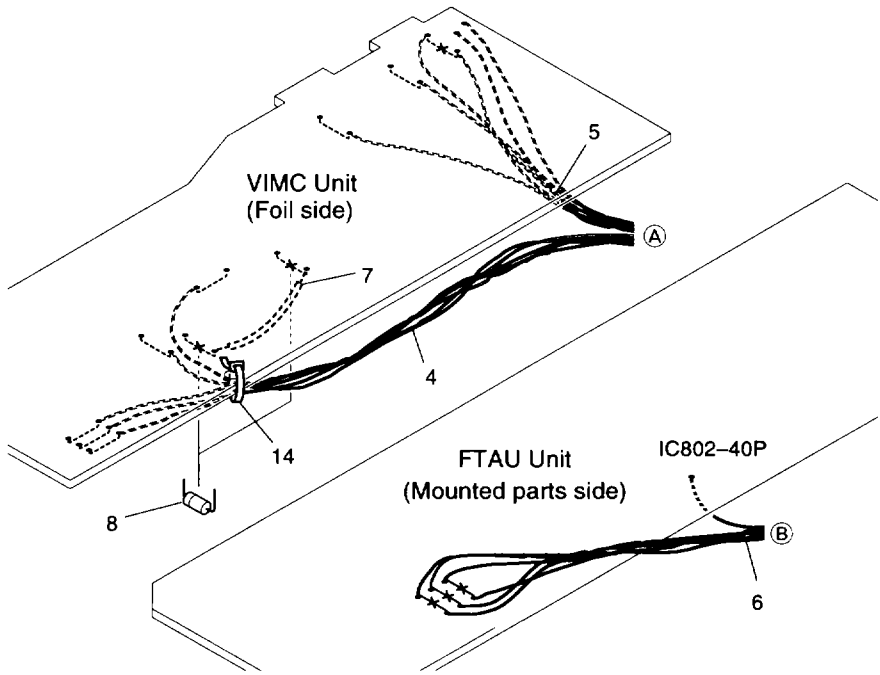
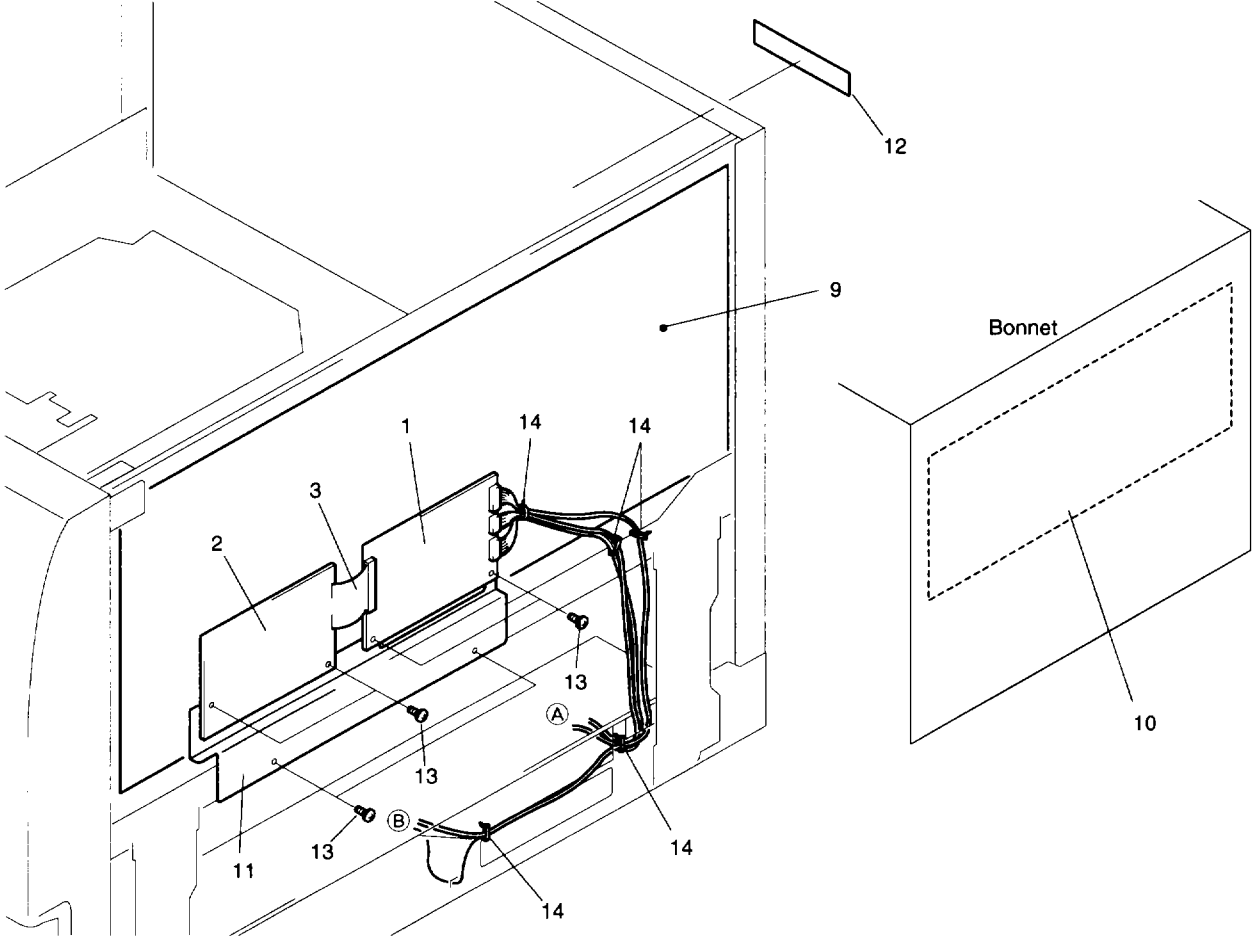
■ FOR CL-J55LD-V/S/CN

CL-J55LD-V/S/CN and CL-J55LD/SD have the same construction except for the following:

Mark	Symbol & Description	Part No.		Remarks
		CL-J55LD/SD	CL-J55LD-V/S/CN	
	INTF Unit	Not used	RWX1125	No. 1 (Refer to SCH-2F)
	Video CD Module	Not used	RD-DVK012-P	No. 2 (Refer to SCH-1F)
	Capacitor (C4)	CEAS470M10	CEAS010M50	For SPDR Unit. Refer to SCH-3F
	Lead Card 30P	Not used	RDD1373	No. 3
NSP	Connector Assy 5P (J20)	Not used	RKP1758	No. 4
NSP	Connector Assy 6P (J30)	Not used	RKP1759	No. 5
NSP	Connector Assy 7P (J10)	Not used	RKP1760	No. 6
NSP	Lead Wire	Not used	ZWNP1007G26-0-05A	No. 7
	Diode (D1, D2)	Not used	1SS254	No. 8
	VCD Barrier	Not used	REC1286	No. 9
	VCD Guard	Not used	REC1287	No. 10
NSP	VCD Angle	Not used	RNE1903	No. 11
NSP	Label	Not used	RRW1266	No. 12
	Screw	Not used	BBZ30P060FMC	No. 13
	Binder	Not used	ZCA-SKB90BK	No. 14
	Operating Instructions (Chinese)	Not used	RRD1187	
	Packing Case	RHG1659	RHG1782	

Note: The numbers in the remarks column correspond to the numbers on the exploded views.

EXPLODED VIEWS



CL-J35LD-V, CL-J55LD-V

PCB PARTS LIST

NOTES :

- Parts marked by "NSP" are generally unavailable because they are not in our Master Spare Parts List.
- The Δ mark found on some component parts indicates the importance of the safety factor of the part. Therefore, when replacing, be sure to use parts of identical designation.
- Parts marked by "⊙" are not always kept in stock. Their delivery time may be longer than usual or they may be unavailable.
- When ordering resistors, first convert resistance values into code form as shown in the following examples.

Ex. 1 When there are 2 effective digits (any digit apart from 0), such as 560 ohm and 47k ohm (tolerance is shown by J = 5%, and K = 10%).

560 Ω \rightarrow 56 \times 10¹ = 561 RD1/4PU 5 6 1 J
 47k Ω \rightarrow 47 \times 10³ = 473 RD1/4PU 4 7 3 J
 0.5 Ω \rightarrow 0R5 RN2H 0 R 5 K
 1 Ω \rightarrow 1R0 RS1P 1 R 0 K

Ex. 2 When there are 3 effective digits (such as in high precision metal film resistors).

5.62k Ω \rightarrow 562 \times 10¹ = 5621 RN1/4PC 5 6 2 1 F

Mark No.	Description	Parts No.	Mark No.	Description	Parts No.	
INTF UNIT (RWX1125)			RESISTORS			
SEMICONDUCTORS			Other Resistors RD1/4PU□□□□			
IC30		NJM2244D	OTHERS			
IC20		TC74HC05AF	CN50	FPC CONNECTOR (30P)	30FMZ-ST	
IC10		TC74HC157AF	CN20	KR CONNECTOR	S5B-PH-K-S	
Q36		2SB1237X	NSP	CN10	KR CONNECTOR	S7B-PH-K-S
Q35		2SC2458	NSP	CN30	KR CONNECTOR	S6B-PH-K-R
D10-D12, D50		1SS254	VIDEO CD MODULE (RD-DVK012-P)			
CAPACITORS			This unit has no service parts.			
C32, C91		CEAL101M6R3				
C10, C30, C31, C34		CEAL470M6R3				
C35, C36, C51		CKCYF103Z50				

2. SCHEMATIC AND PCB CONNECTION DIAGRAMS

NOTE FOR SCHEMATIC DIAGRAMS (TYPE 4A)

- When ordering service parts, be sure to refer to "PARTS LIST of EXPLODED VIEWS" or "PCB PARTS LIST".
- Since these are basic circuits, some parts of them or the values of some components may be changed for improvement.
- RESISTORS:**
Unit: k Ω , M Ω , or Ω unless otherwise noted.
Rated power: 1/4W, 1/6W, 1/8W, 1/10W unless otherwise noted.
Tolerance: (F): \pm 1%, (G): \pm 2%, (K): \pm 10%, (M): \pm 20% or \pm 5% unless otherwise noted.
- CAPACITORS:**
Unit: pF or μ F unless otherwise noted.
Ratings: capacitor (μ F) / voltage (V) unless otherwise noted.
Rated voltage: 50V except for electrolytic capacitors.
- COILS:**
Unit: m.mH or μ H unless otherwise noted.
- VOLTAGE AND CURRENT:**
□ or \leftarrow V : DC voltage (V) in PLAY mode unless otherwise noted.
⇐ mA or \leftarrow mA : DC current in PLAY mode unless otherwise noted.
Value in () is DC current in STOP mode.
- OTHERS:**
 - ⊙ or ⊙ : Adjusting point.
 - ◀ : Measurement point.
 - The Δ mark found on some component parts indicates the importance of the safety factor of the parts. Therefore, when replacing, be sure to use parts of identical designation.
- SCH-□ ON THE SCHEMATIC DIAGRAM:**
 - SCH-□ indicates the drawing number of the schematic diagram. (SCH stands for schematic diagram.)
- SWITCHES** (Underline indicates switch position):

NOTE FOR PCB DIAGRAMS:

- Part numbers in PCB diagrams match those in the schematic diagrams.
- A comparison between the main parts of PCB and schematic diagrams is shown below.

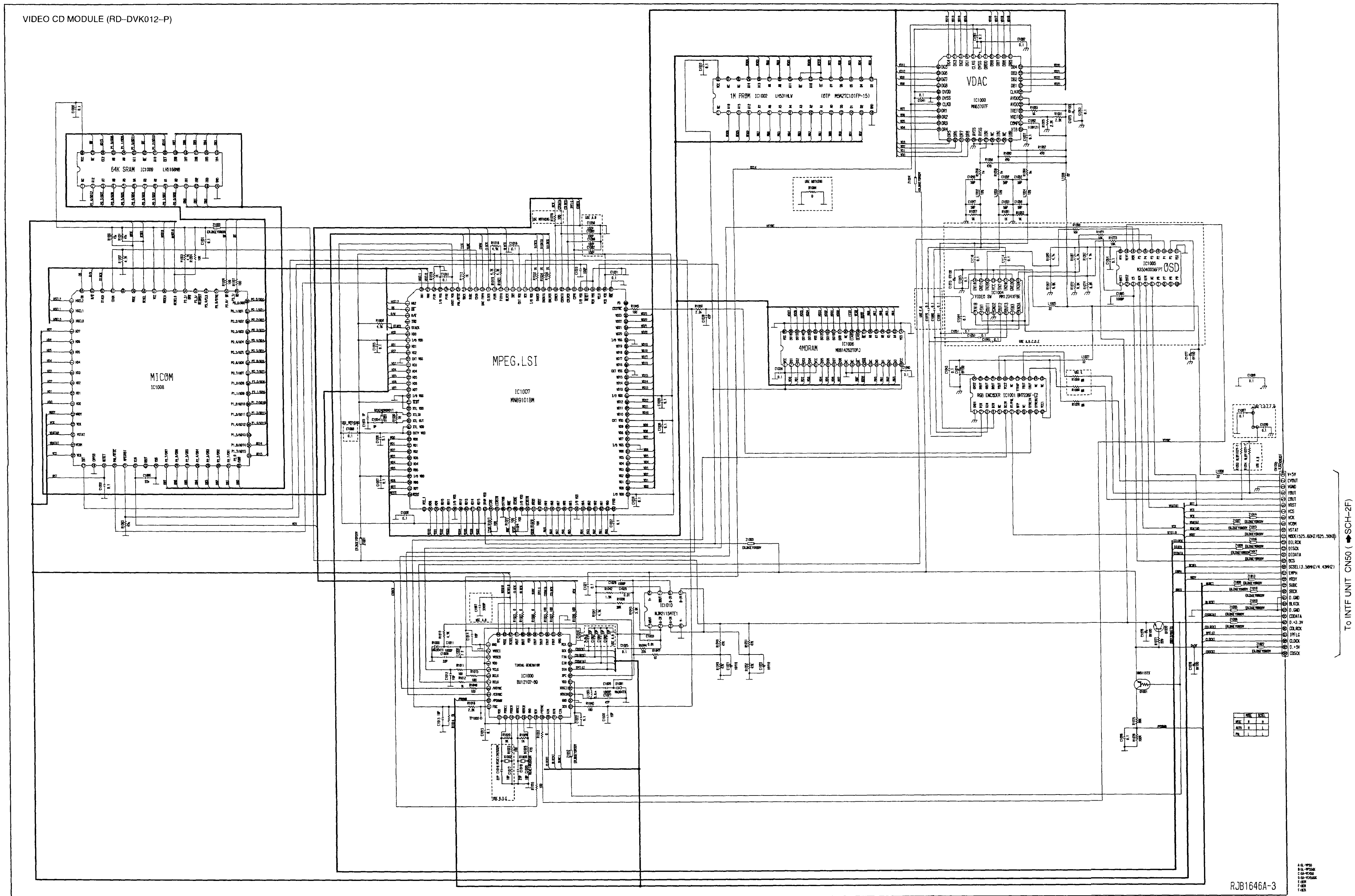
Symbol in PCB Diagrams	Symbol in Schematic Diagrams	Part Name
		Transistor
		Transistor with resistor
		Field effect transistor
		Resistor array
		3-terminal regulator

VIDEO CD MODULE

VIDEO CD MODULE (RD-DVK012-P)

A
B
C
D
E
F

A
B
C
D
E
F



To INTF UNIT CN50 (SCH-2F)

- ① V5V
- ② GND
- ③ VOUT
- ④ VST
- ⑤ VCK
- ⑥ VCOM
- ⑦ VSTAT
- ⑧ MD1-2/3-6/9/2/25-30/31
- ⑨ D1CLK
- ⑩ D1DATA
- ⑪ D2DATA
- ⑫ D3DATA
- ⑬ D4DATA
- ⑭ D5DATA
- ⑮ D6DATA
- ⑯ D7DATA
- ⑰ D8DATA
- ⑱ D9DATA
- ⑲ D10DATA
- ⑳ D11DATA
- ㉑ D12DATA
- ㉒ D13DATA
- ㉓ D14DATA
- ㉔ D15DATA
- ㉕ D16DATA
- ㉖ D17DATA
- ㉗ D18DATA
- ㉘ D19DATA
- ㉙ D20DATA
- ㉚ D21DATA
- ㉛ D22DATA
- ㉜ D23DATA
- ㉝ D24DATA
- ㉞ D25DATA
- ㉟ D26DATA
- ㊱ D27DATA
- ㊲ D28DATA
- ㊳ D29DATA
- ㊴ D30DATA
- ㊵ D31DATA
- ㊶ D32DATA
- ㊷ D33DATA
- ㊸ D34DATA
- ㊹ D35DATA
- ㊺ D36DATA
- ㊻ D37DATA
- ㊼ D38DATA
- ㊽ D39DATA
- ㊾ D40DATA
- ㊿ D41DATA

RJB1646A-3

A: 1/16" (2.54mm)
 B: 1/8" (3.175mm)
 C: 1/4" (6.35mm)
 D: 3/8" (9.525mm)
 E: 1/2" (12.7mm)
 F: 5/8" (15.875mm)

A

A

B

B

INTF UNIT, VIMC UNIT, FTAU UNIT AND SPDR UNIT

PCB-1F

C

C

D

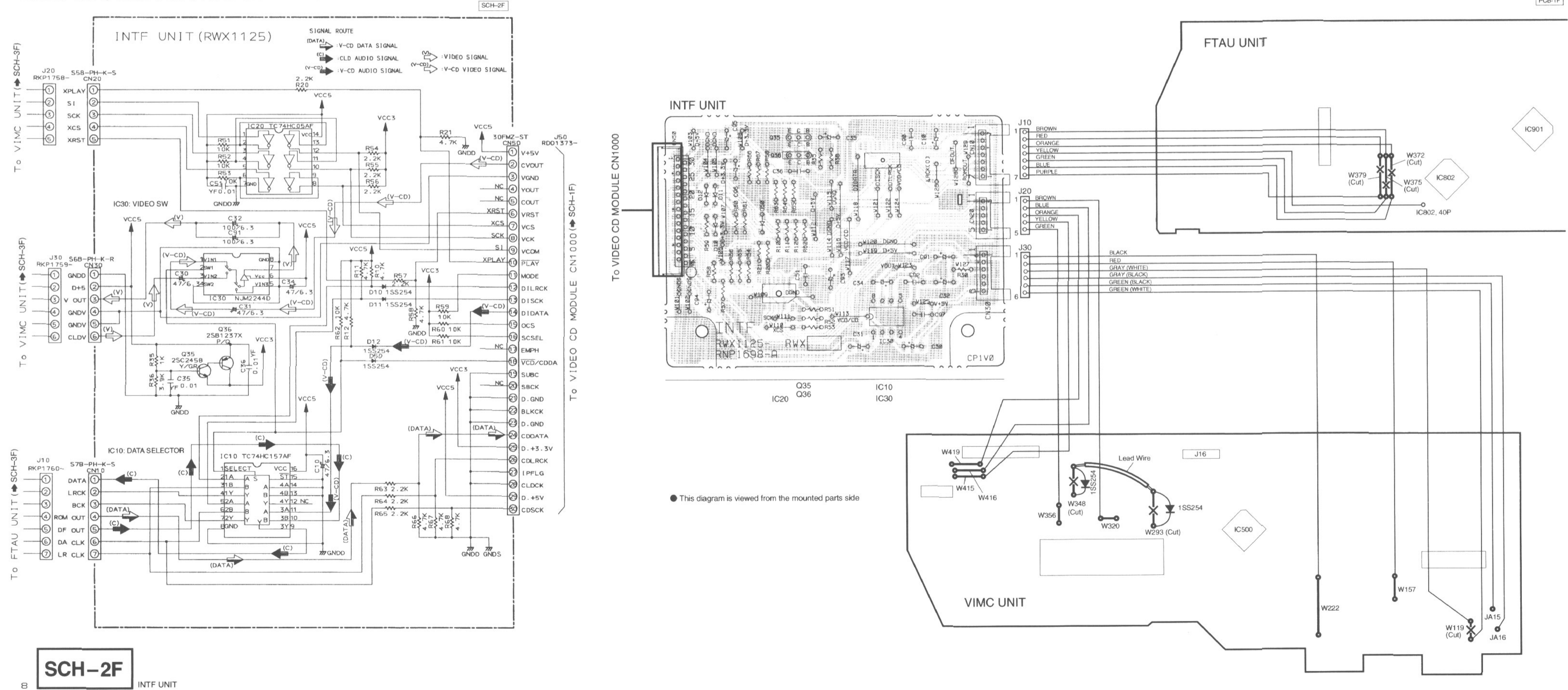
D

E

E

F

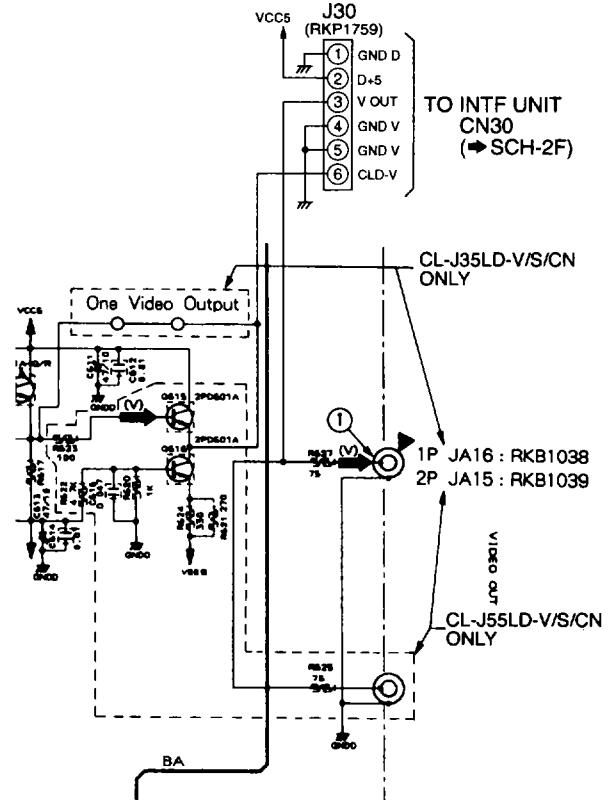
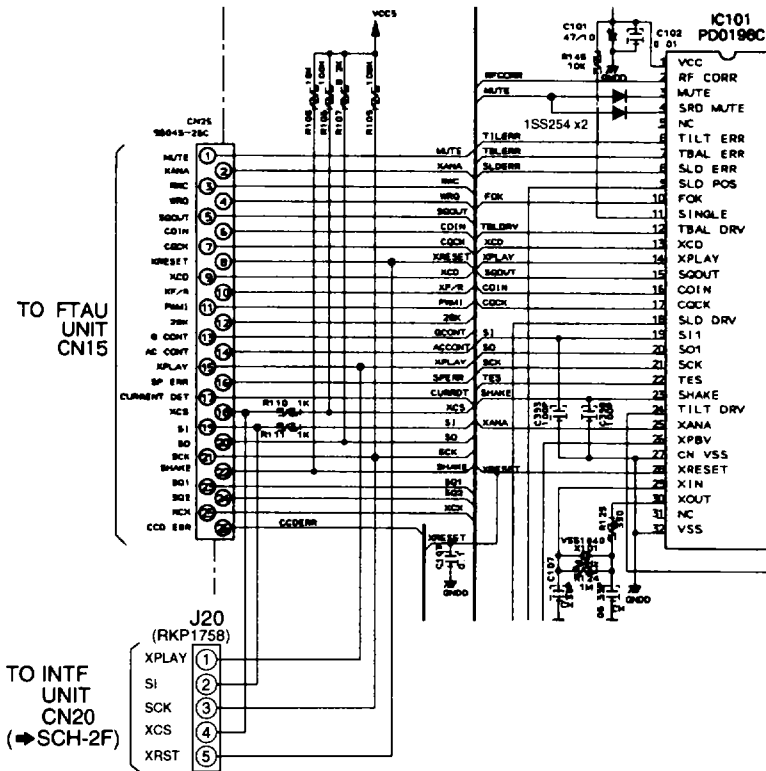
F



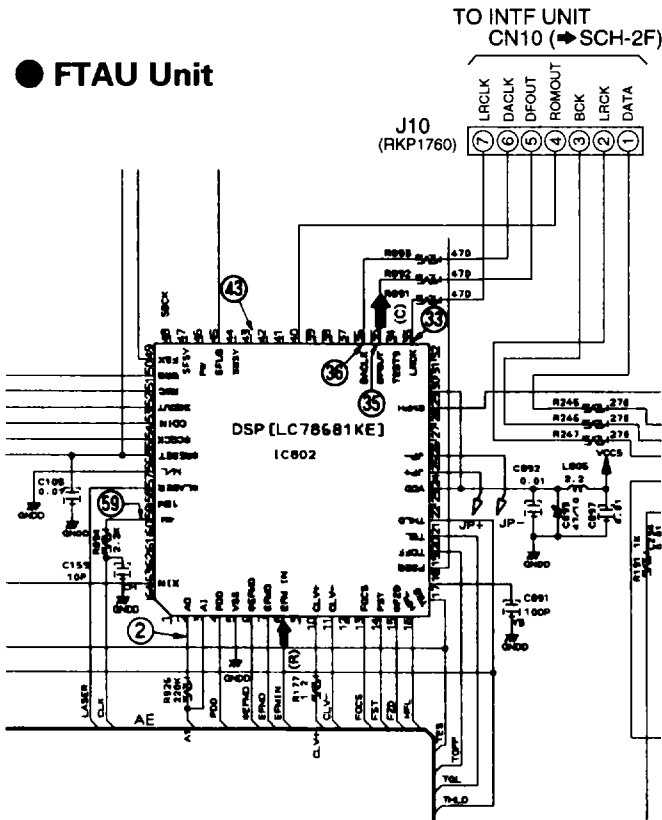
SCH-2F

INTF UNIT

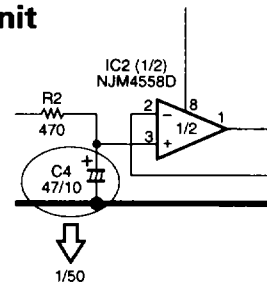
● VIMC Unit



● FTAU Unit



● SPDR Unit



CAUTION: A 47µF/10V capacitor is installed on C4 of the SPDR Unit (RWZ3359). When this unit is exchanged for this product, remove the 47µF/10V capacitor of C4 and install a 1µF/50V capacitor.

Note: For VIMC unit, FTAU unit and SPDR unit, only the differences between CL-J35LD-V/S/CN and CL-J35LD/SD or CL-J55LD-V/S/CN and CL-J55LD/SD.