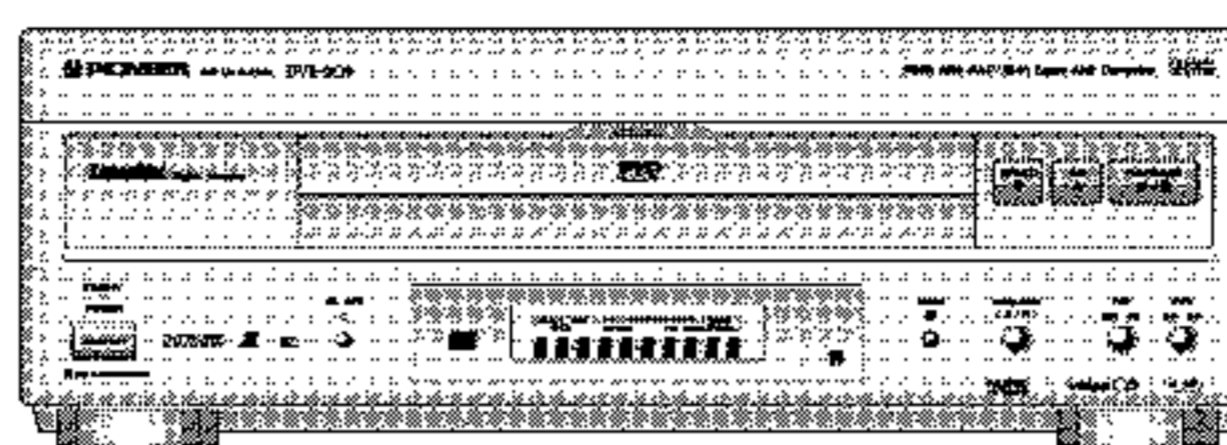


Service Manual

PIONEER®
The Art of Entertainment



ORDER NO.
RRV1888

DVD LD PLAYER

DVL-909

THIS MANUAL IS APPLICABLE TO THE FOLLOWING MODEL(S) AND TYPE(S).

Type	Model	Power Requirement	The voltage can be converted by the following method.	Regional restriction codes (region number)
	DVL-909			
WY	○	AC 220 – 240V	_____	2
WY/RD	○	AC 220 – 240V	_____	4
RD/RA	○	AC 110 – 127/220 – 240V	Automatic select	1
RD/RC	○	AC 110 – 127/220 – 240V	Automatic select	3
RAM	○	AC 110 – 127/220 – 240V	Automatic select	6
RL	○	AC 110 – 127/220 – 240V	Automatic select	3

- Refer to the service guide RRV1896 for DV-505.
IC information is described in the service guide.

CONTENTS

1. SAFETY INFORMATION	2	7. GENERAL INFORMATION	100
2. EXPLODED VIEWS AND PARTS LIST	3	7.1 DISASSEMBLY/ASSEMBLY	100
3. SCHEMATIC DIAGRAM	16	7.2 BLOCK DIAGRAM	102
4. PCB CONNECTION DIAGRAM	46	8. PANEL FACILITIES AND SPECIFICATIONS ..	106
5. PCB PARTS LIST	64		
6. ADJUSTMENT	76		

PIONEER ELECTRONIC CORPORATION 4-1, Meguro 1-Chome, Meguro-ku, Tokyo 153, Japan
PIONEER ELECTRONICS SERVICE, INC. P.O. Box 1760, Long Beach, CA 90801-1760, U.S.A.
PIONEER ELECTRONIC (EUROPE) N.V. Haven 1087, Keetberglaan 1, 9120 Melsele, Belgium
PIONEER ELECTRONICS ASIACENTRE PTE. LTD. 501 Orchard Road, #10-00 Lane Crawford Place, Singapore 0923
 © PIONEER ELECTRONIC CORPORATION 1997

1. SAFETY INFORMATION

This service manual is intended for qualified service technicians; it is not meant for the casual do-it-yourselfer. Qualified technicians have the necessary test equipment and tools, and have been trained to properly and safely repair complex products such as those covered by this manual. Improperly performed repairs can adversely affect the safety and reliability of the product and may void the warranty. If you are not qualified to perform the repair of this product properly and safely, you should not risk trying to do so and refer the repair to a qualified service technician.

IMPORTANT
THIS PIONEER APPARATUS CONTAINS LASER OF CLASS 1.
SERVICING OPERATION OF THE APPARATUS SHOULD BE DONE BY A SPECIALLY INSTRUCTED PERSON.

LASER DIODE CHARACTERISTICS

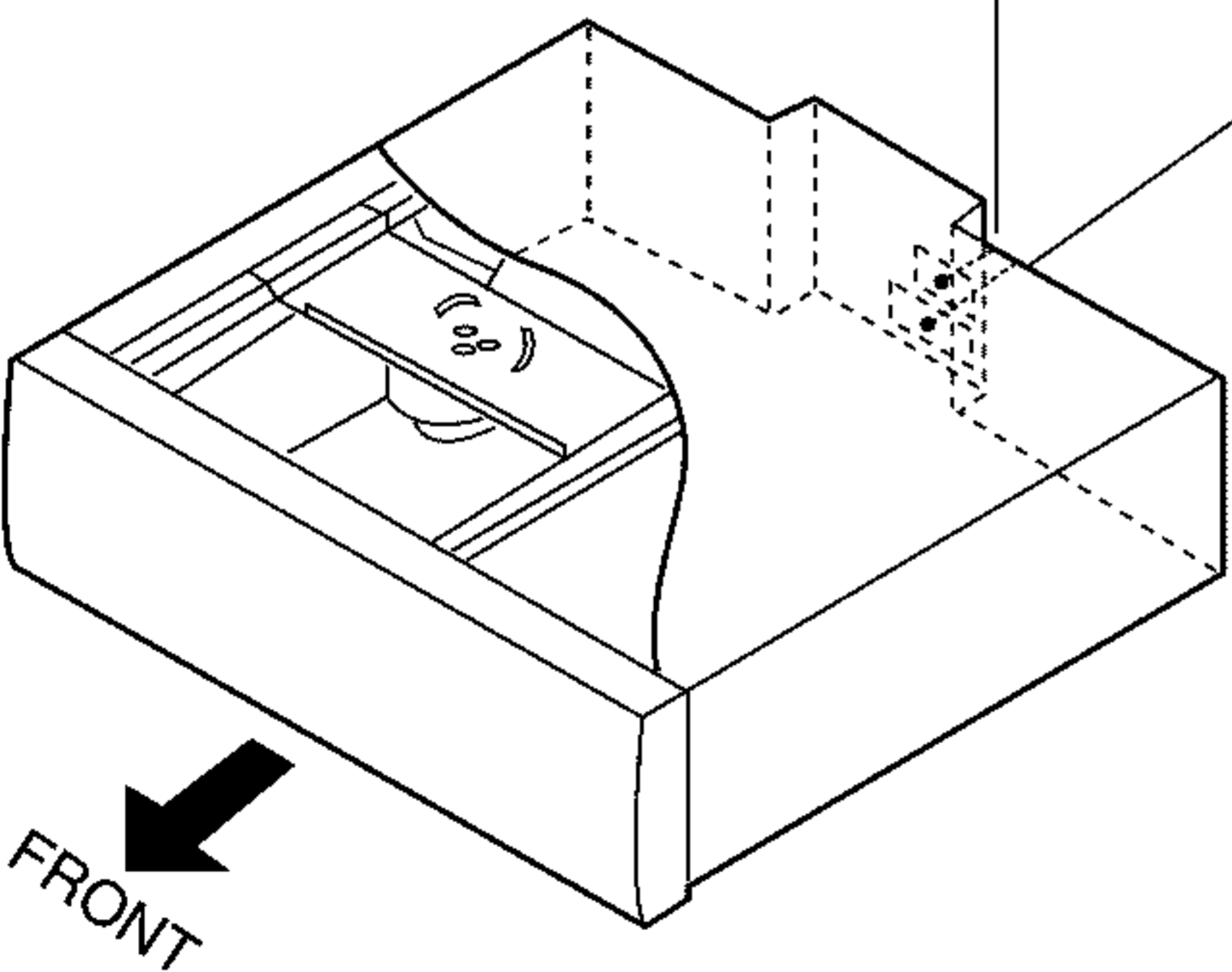
- FOR DVD
MAXIMUM OUTPUT POWER : 7 mw
WAVELENGTH : 650 nm
- FOR CD/LD
MAXIMUM OUTPUT POWER : 5 mw
WAVELENGTH : 780-785 nm

LABEL CHECK

CAUTION	: VISIBLE AND INVISIBLE LASER RADIATION WHEN OPEN. : AVOID EXPOSURE TO BEAM.
VORSICHT	: SICHTBARE UND UNSICHTBARE LASERSTRAHLUNG, WENN : ABDECKUNG GEÖFFNET NICHT DEM STRAHL AUSSETZEN!
ADVARSEL	: SYNLIG OG USYNLIG LASERSTRÅLING VED ÅBNING : UNDGÅ UDSÆTTELSE FOR STRÅLING.
VARNING	: SYNLIG OCH OSYNLIG LASERSTRÅLNING NÅR DENNA : DEL ÄR ÖPPNAD BETRakta EJ STRÅLEN.
VARO!	: AVATTAESSA ALTISTUT NÄKYVÄ JA NÄKYMÄTTÖMÄLLE : LASERSATEILYLLE. ÄLÄ KATSO SÄTEESÄN.

VRW1699

**CLASS 1
LASER PRODUCT**
(Printed on the Rear Cover)



Additional Laser Caution

- The ON/OFF statuses of the side-A/B detection switch (Lever switch connecting to the TNMB assy), slider-position detection switches (INNER and OUTER on the PKSB assy), loading-status detection switches (SW1, 2 and 3 on the LMSB assy), side B inside detection switch (S901 on the BISB assy) and CLD pickup active detection switch (S903 on the LCSB assy) are detected by the microprocessor (IC101 in the CLD MAIN assy). Also the DVD pickup active detection switch (S902 on the DCSB assy) is detected by the microprocessor (IC501 in the DVD MAIN assy).
 - To permit the laser diode of CLD pickup to oscillate, it is required to set the CLD pickup active detection switch (S903 : OFF) and the slider-position detection switches for the LD ACTIVE status (INNER : OFF, OUTER: OFF), and to set the loading-status detection switches for tilt neutral state (SW1 : ON, SW2 : OFF, SW3 : ON). As long as these requirements are not satisfied, the laser diode will not oscillate. When the requirements are met in any way, the laser diode can oscillate. The laser diode oscillation will continue if pin 13 of IC801 is shorted to GND or the emitter and collector of Q834 are shorted each other (fault condition) in the CLD MAIN assy.
 - To permit the laser diode of DVD pickup to oscillate, it is required to set the DVD pickup active detection switch (S902 :OFF) and each switch and a state of laser diode are contents same as state of CLD pickup mentioned above. The laser diode oscillation will continue if pin 13 of IC101 is shorted to +5V (fault condition) in the DVD MAIN assy. In the test mode *, the laser diode oscillates when the microprocessor detects a PLAY signal, or when the PLAY key is pressed (S107 ON in the FLKB assy), with the above requirements satisfied.
- When the cover is open, close viewing through the objective lens with the naked eye will cause exposure to a Class 1 laser beam.

* : Refer to page 79.

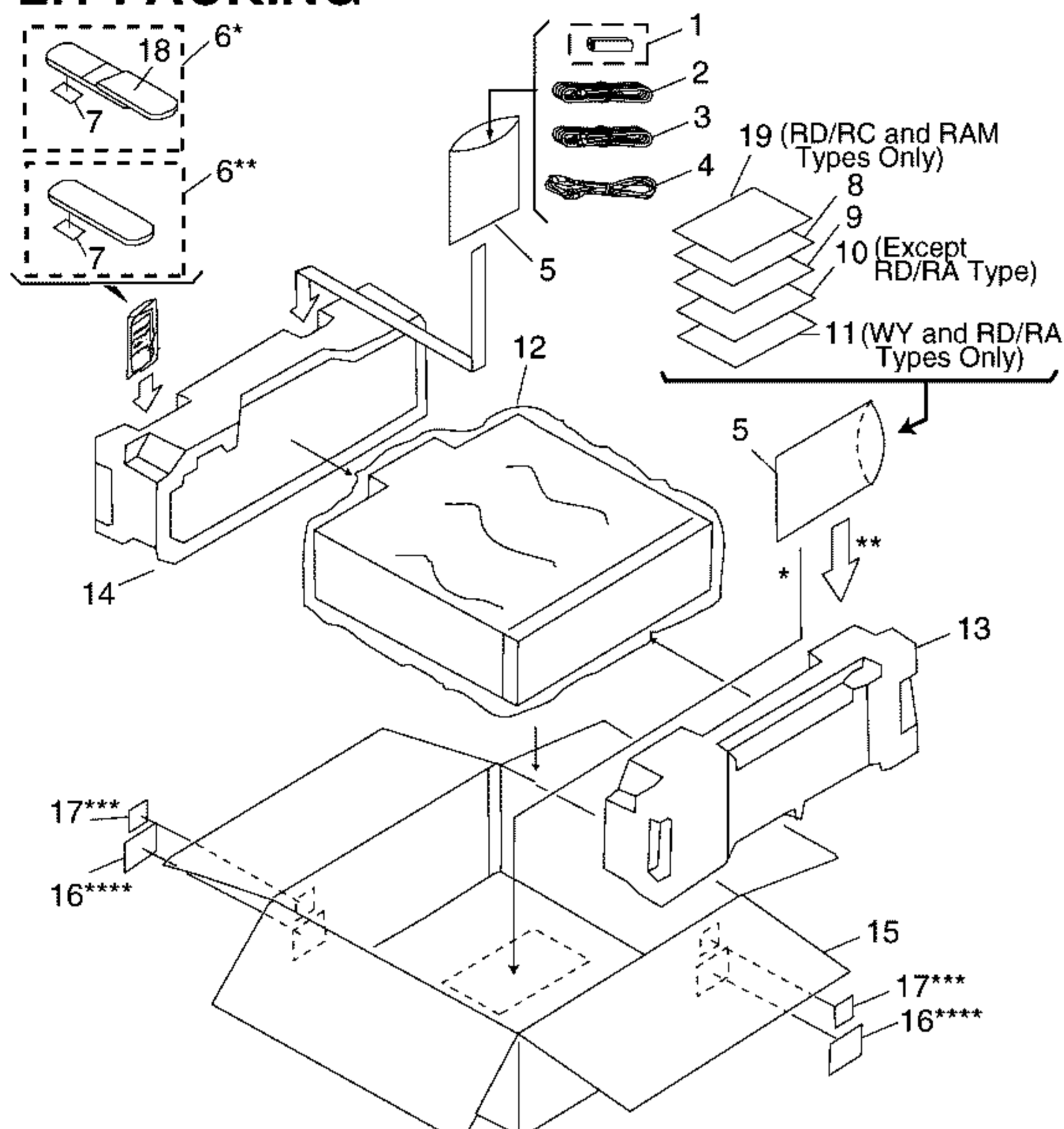
2. EXPLODED VIEWS AND PARTS LIST

NOTES: ● Parts marked by "NSP" are generally unavailable because they are not in our Master Spare Parts List.

● The Δ mark found on some component parts indicates the importance of the safety factor of the part. Therefore, when replacing, be sure to use parts of identical designation.

● Screws adjacent to \blacktriangledown mark on product are used for disassembly.

2.1 PACKING



* : WY and WY/RD Types Only
 ** : RD/RA, RD/RC, RAM and RL Types Only
 *** : WY, WY/RD, RD/RA, RD/RC and RL Types Only
 **** : WY/RD, RD/RA and RD/RC Types Only

(1) PARTS LIST

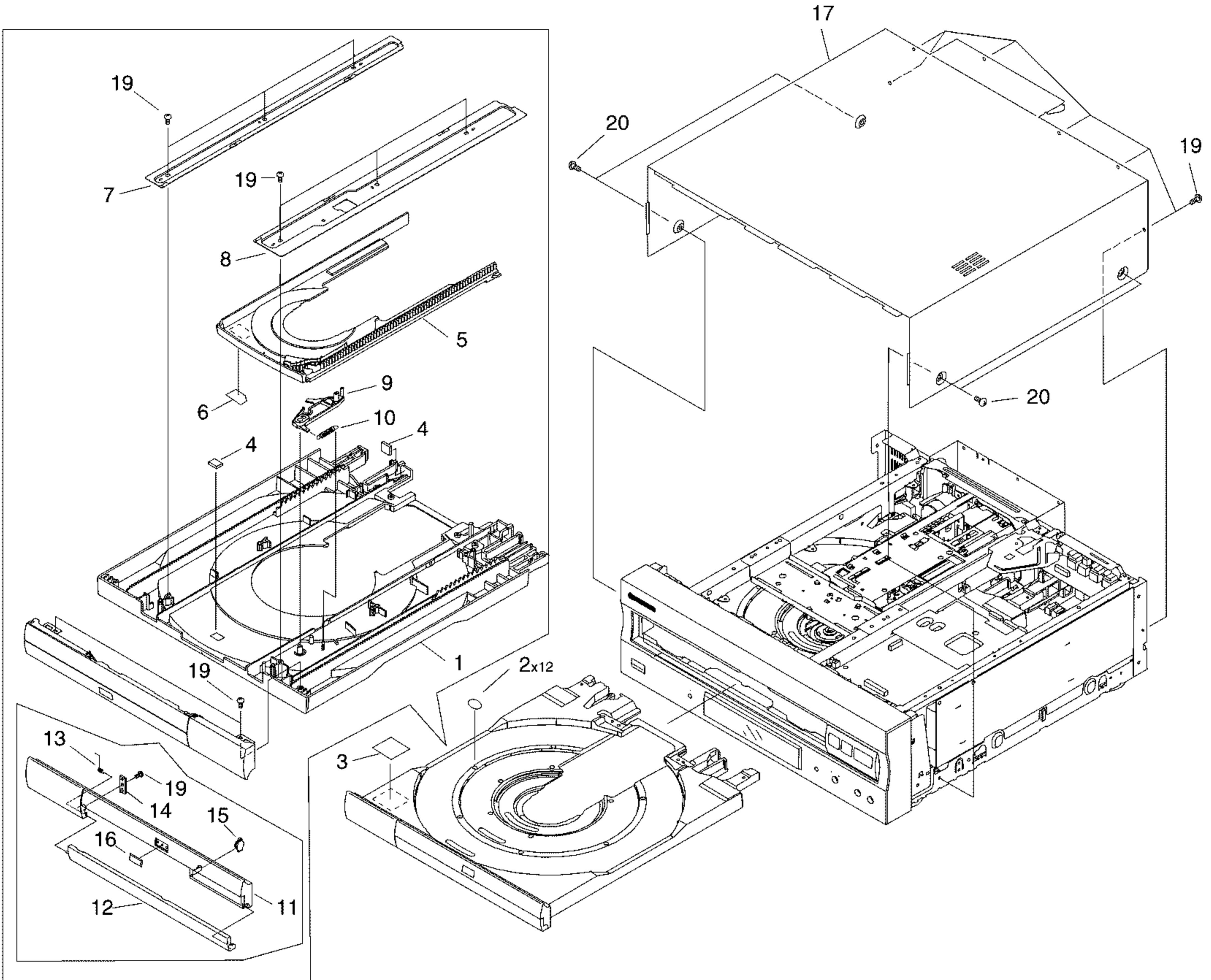
Mark	No.	Description	Part No.
NSP	1	DRY CELL BATTERY	See Contrast table (2)
	2	VIDEO CORD(L=1.5m)	VDE1048
	3	AUDIO CORD(L=1.5m)	VDE1033
Δ	4	AC POWER CORD	See Contrast table (2)
	5	POLYETHYLENE BAG	Z21-038
	6	REMOTE CONTROL UNIT	See Contrast table (2)
	7	BATTERY COVER	See Contrast table (2)
NSP	8	CAUTION	VRM1071
	9	OPERATING INSTRUCTIONS	See Contrast table (2)
	10	OPERATING INSTRUCTIONS	See Contrast table (2)
NSP	11	WARRANTY CARD	See Contrast table (2)
	12	MIRROR MAT SHEET	VHL1018
	13	PAD F	VHA1206
	14	PAD R	VHA1207
	15	PACKING CASE	See Contrast table (2)
	16	LABEL	See Contrast table (2)
	17	LABEL(REGION)	See Contrast table (2)
	18	UPPER COVER	See Contrast table (2)
NSP	19	CARD	See Contrast table (2)

(2) CONTRAST TABLE

DVL-909/WY, WY/RD, RD/RA, RD/RC, RAM and RL are constructed the same except for the following :

Mark	No.	Symbol and Description	Part No.						Remarks
			WY	WY/RD	RD/RA	RD/RC	RAM	RL	
NSP	1	DRY CELL BATTERY (R03,AAA)	VEM-022	VEM-022	Not used	Not used	Not used	Not used	
NSP	1	DRY CELL BATTERY (R6P,AA)	Not used	Not used	VEM-013	VEM-013	VEM-013	VEM-013	
Δ	4	AC POWER CORD	ADG1127	ADG1127	ADG7003	ADG7003	ADG7017	ADG1154	
	6	REMOTE CONTROL UNIT	VXX2534	VXX2534	Not used	Not used	Not used	Not used	(CU-DV013)
	6	REMOTE CONTROL UNIT	Not used	Not used	VXX2549	VXX2549	VXX2549	VXX2549	(CU-DV018)
	7	BATTERY COVER	VNK4203	VNK4203	VNK3703	VNK3703	VNK3703	VNK3703	
	9	OPERATING INSTRUCTIONS (English/French/German/Italian)	VRE1069	VRE1069	Not used	Not used	Not used	Not used	
	9	OPERATING INSTRUCTIONS	Not used	Not used	VRB1193	VRB1193	VRB1193	VRB1193	(English)
	10	OPERATING INSTRUCTIONS (Spanish/Portuguese/Dutch/Swedish)	VRF1043	VRF1043	Not used	Not used	Not used	Not used	
	10	OPERATING INSTRUCTIONS	Not used	Not used	Not used	VRC1064	Not used	VRC1064	(Trad-Chinese)
	10	OPERATING INSTRUCTIONS	Not used	Not used	Not used	Not used	VRC1062	Not used	(Simp-Chinese)
NSP	11	WARRANTY CARD	ARY7008	Not used	ARW1020	Not used	Not used	Not used	
	15	PACKING CASE	VHG1724	VHG1724	VHG1734	VHG1734	VHG1744	VHG1734	
	16	LABEL	Not used	VRW1713	VRW1711	VRW1710	Not used	Not used	
	17	LABEL(REGION)	VRW1701	VRW1705	VRW1708	VRW1702	Not used	VRW1702	
	18	UPPER COVER	VNK4204	VNK4204	Not used	Not used	Not used	Not used	
NSP	19	CARD	Not used	Not used	Not used	VRY1110	VRY1109	Not used	

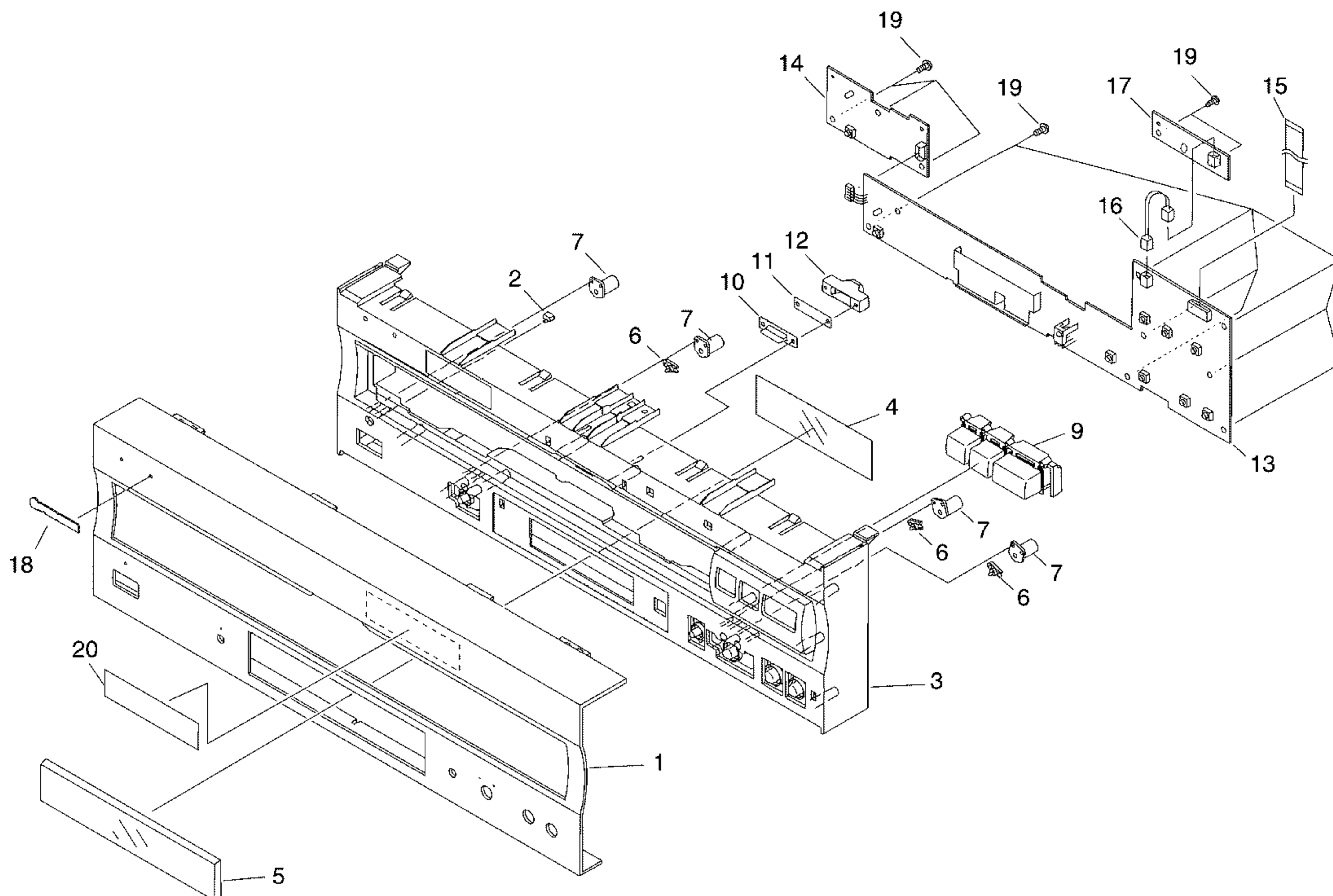
2.2 EXTERIOR SECTION



●PARTS LIST

Mark	No.	Description	Part No.	Mark	No.	Description	Part No.
	1	LD TRAY ASSY	VXA2302		11	TRAY PANEL	VNK4065
	2	CUSHION	VEC1881		12	DVD DOOR ASSY	VXA2338
NSP	3	LABEL	VRW1289		13	DOOR SPRING	VBH1248
	4	DAMP CUSHION	VEC1683		14	DOOR HOLDER	VNL1697
	5	CD TRAY	VNK3664		15	DAMPER	VXA1999
	6	LABEL	VRW1628		16	DVD PLATE	VAM1077
	7	GUIDE PLATE (R)	VNE1939		17	BONNET CASE S	VXX2560
	8	GUIDE PLATE (L)	VNE1938		18	•••••	
	9	LOCK PLATE	VNL1703		19	SCREW	BBZ30P080FMC
	10	LOCK PLATE SPRING	VBH1188		20	SCREW	BCZ40P060FZK

2.3 FRONT PANEL SECTION



(1) PARTS LIST

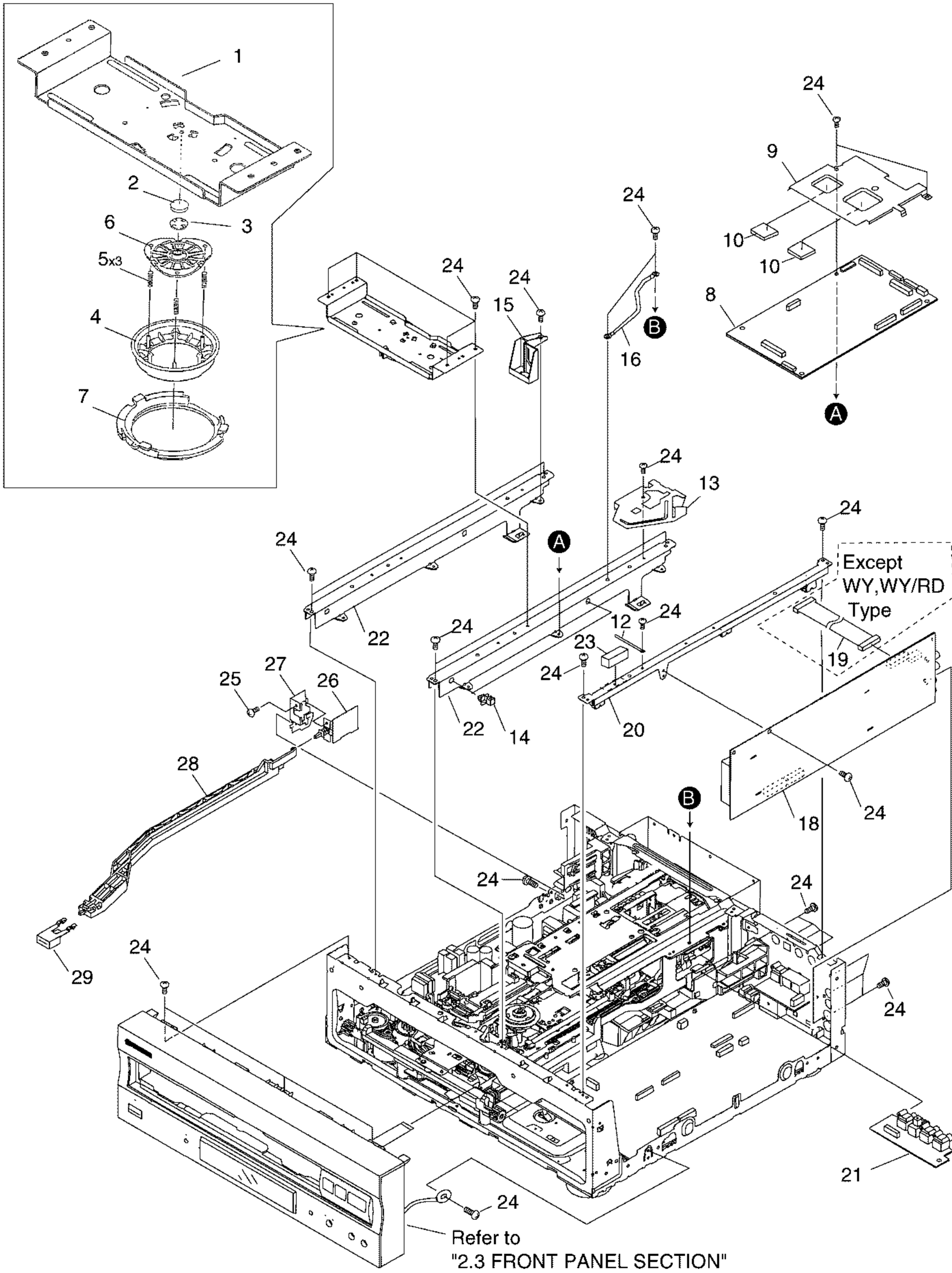
Mark	No.	Description	Part No.	Mark	No.	Description	Part No.
	1	FRONTALMI	See Contrast table (2)		11	ILLUMINATION FILTER	VEC1950
	2	LED LENS 1	RNK2066		12	ILLUMI HOLDER	VNK4289
	3	PANEL BASE	VNK4064		13	FLKB ASSY	See Contrast table (2)
	4	FL FILTER	VEC1643	NSP	14	PWSB ASSY	See Contrast table (2)
	5	FL LENS	VEC1943		15	FLEXIBLE CABLE(14P)	VDA1638
	6	INDICATOR LENS	VNK1538		16	CONNECTOR ASSY	PG02KK-E12
	7	LENS HOLDER	VNK4151	NSP	17	DILB ASSY	VWG1894
	8	•••••			18	NAME PLATE	VAM1051
	9	PLAY BUTTON	VNK4067		19	SCREW	BBZ30P080FMC
	10	ILLUMINATION LENS	VNK4168	NSP	20	GETTER	See Contrast table (2)

(2) CONTRAST TABLE

DVL-909/WY, WY/RD, RD/RA, RD/RC, RAM and RL are constructed the same except for the following :

Mark	No.	Symbol and Description	Part No.						Remarks
			WY	WY/RD	RD/RA	RD/RC	RAM	RL	
NSP	1	FRONTALMI	VAH1280	VAH1280	VAH1279	VAH1279	VAH1279	VAH1279	
NSP	20	GETTER	Not used	Not used	VRW1694	VRW1694	VRW1694	VRW1694	
NSP	13	FLKB ASSY	VWG1890	VWG1890	VWG1936	VWG1936	VWG1935	VWG1889	
NSP	14	PWSB ASSY	VWG1938	VWG1938	VWG1893	VWG1893	VWG1893	VWG1893	

2.4 TOP VIEW SECTION



(1) TOP VIEW SECTION PARTS LIST

Mark	No.	Description	Part No.	Mark	No.	Description	Part No.
	1	CENTER PLATE	VNE2127	NSP	16	CORD WITH PLUG	DE007VF0
	2	RUBBER MAT	VEB1114		17	•••••	
	3	THRUST HOLDER	VNL1663		18	DMYC or MYCB ASSY	See Contrast table (2)
	4	CLAMPER	VNL1648		19	HOUSING ASSY(13P)	See Contrast table (2)
	5	CLAMPER SPRING	VBH1192	NSP	20	PCB-HOLDER	VNE2121
	6	CLAMPER HEAD	VNL1649		21	JCKB ASSY	See Contrast table (2)
	7	CLAMPER HOLDER	VNL1788	NSP	22	CENTER ANGLE	VNE2126
	8	DVDM ASSY	VWS1328		23	CUSHION	VEC1982
	9	HEAT SINK	VNE2134		24	SCREW	BBZ30P080FMC
	10	RADIATION SEAT	VEB1282		25	SCREW	PMB30P080FZK
	11	•••••			26	MSWB ASSY	VWG1895
	12	CORD CLAMPER	RNH-184	NSP	27	POWER HOLDER	VNE2123
	13	CABLE HOLDER	VEC1958		28	POWER JOINT	VNK4148
NSP	14	CORNER POST	DEC1212		29	POWER BUTTON	VNK4159
	15	SHIPPING CAM	VNL1729				

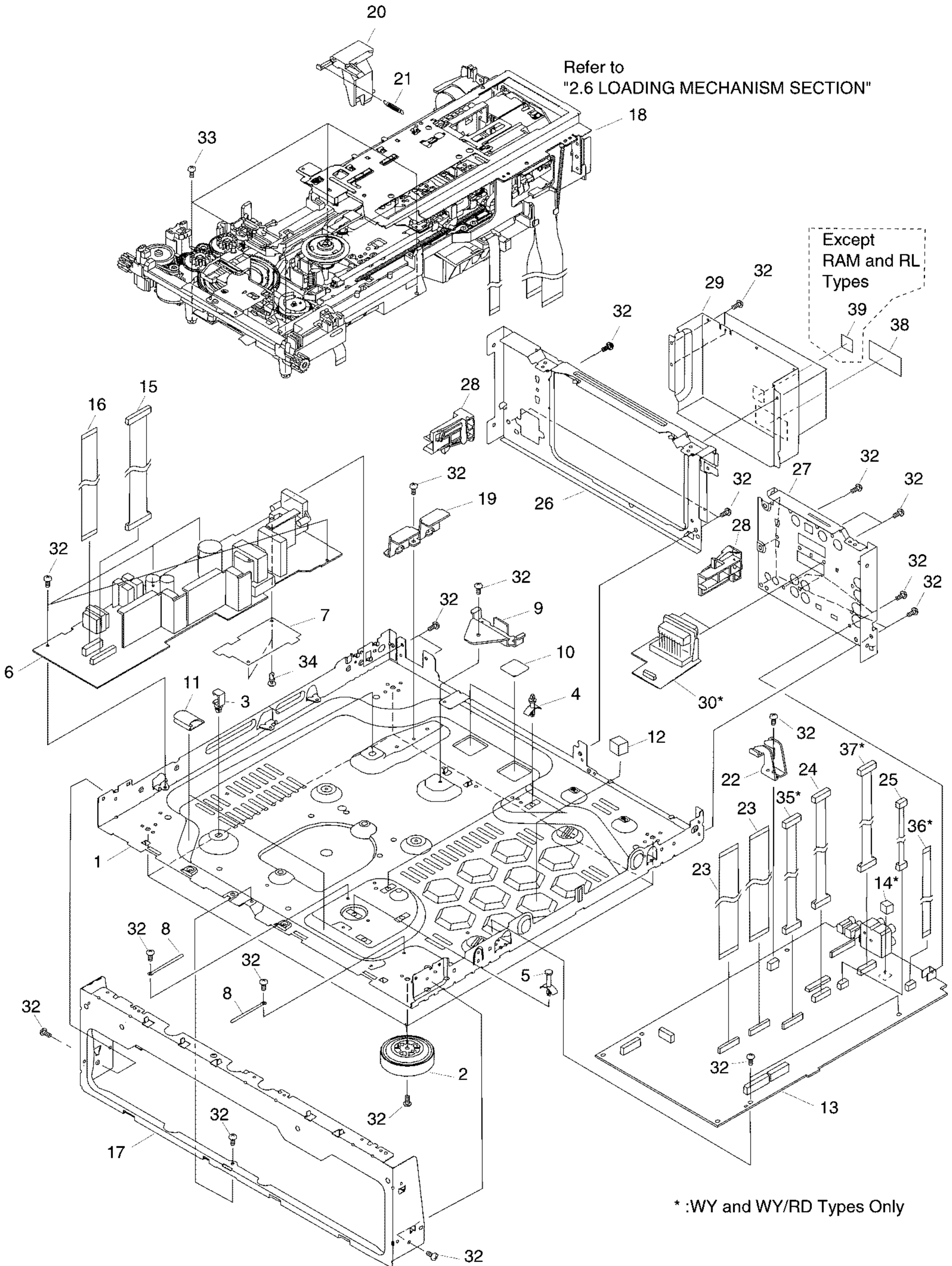
(2) CONTRAST TABLE

DVL-909/WY, WY/RD, RD/RA, RD/RC, RAM and RL are constructed the same except for the following :

Mark	No.	Symbol and Description	Part No.						Remarks
			WY	WY/RD	RD/RA	RD/RC	RAM	RL	
	18	DMYC ASSY	VWV1584	VWV1584	Not used	Not used	Not used	Not used	
	18	MYCB ASSY	Not used	Not used	VWV1596	VWV1596	VWV1596	VWV1596	
	19	HOUSING ASSY(13P)	Not used	Not used	VKP2154	VKP2154	VKP2154	VKP2154	
	21	JCKB ASSY	VWV1578	VWV1578	VWV1579	VWV1579	VWV1579	VWV1579	

DVL-909

2.5 BOTTOM VIEW SECTION



(1) BOTTOM VIEW SECTION PARTS LIST

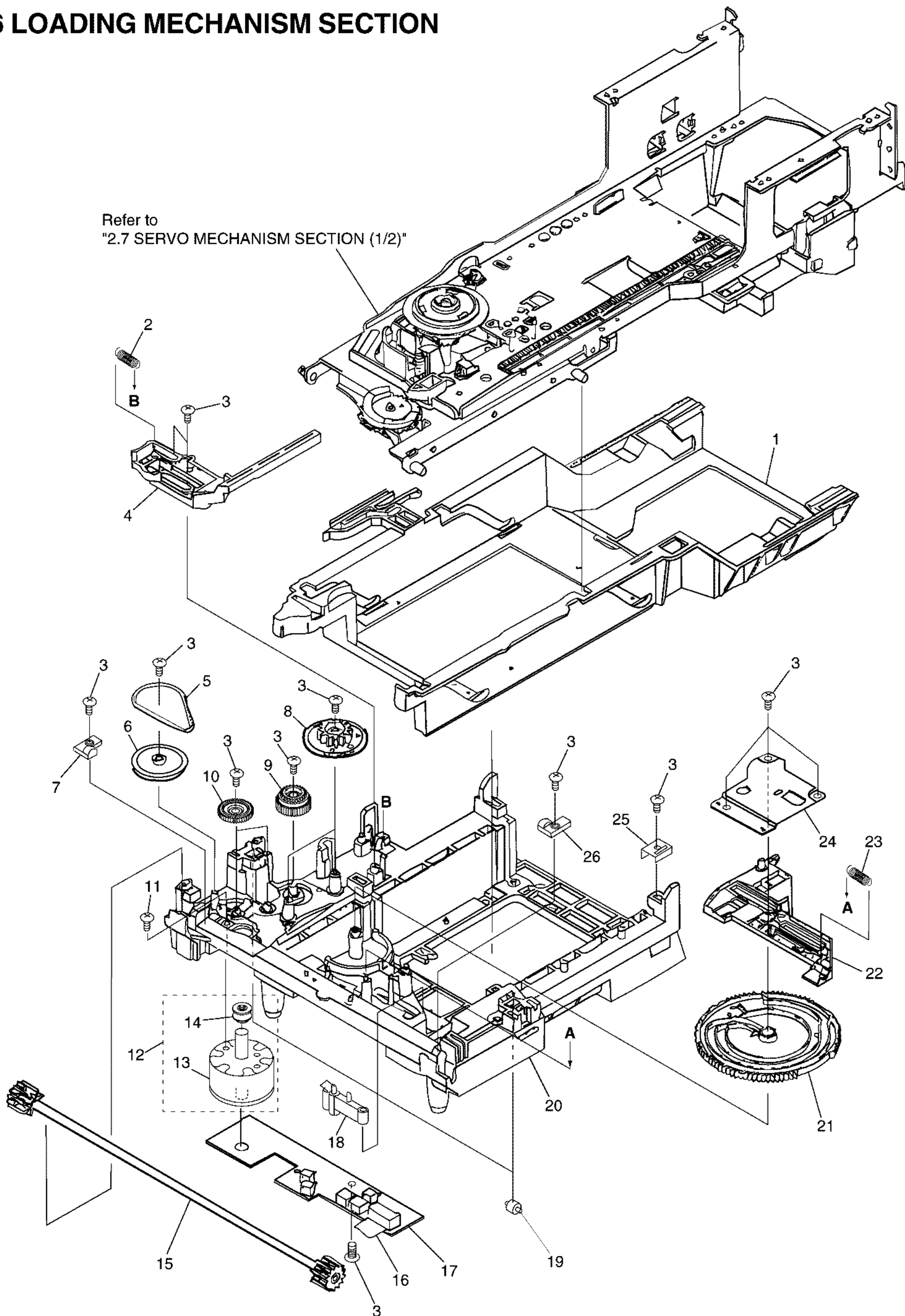
Mark	No.	Description	Part No.	Mark	No.	Description	Part No.
NSP	1	CHASSIS	VNA1887		21	SHIPPING SPRING	VBH1275
	2	INSULATOR ASSY	VXA2356	NSP	22	CAM HOLDER R	VNE2090
	3	PCB HINGE	VEC1174		23	FLEXIBLE CABLE(22P)	VDA1652
NSP	4	PCB SPACER	AEC1188		24	HOUSING ASSY (7P)	VKP2155
NSP	5	CIRCUIT BOARD SPACER	VEC1957		25	HOUSING ASSY (4P)	VKP2153
⚠	6	POWER SUPPLY ASSY	VWR1287		26	REAR PANEL R	VNA1892
	7	SHEET P	VEC1874		27	REAR PANEL L	See Contrast table (2)
	8	CORD CLAMPER	RNH-184		28	TRAY STOPPER	VNL1707
NSP	9	STOPPER	VNE2088		29	REAR COVER	See Contrast table (2)
	10	SPACER	VEC1939		30	SCRB ASSY	See Contrast table (2)
	11	SHELL CLIP	DEC1184		31	•••••	
NSP	12	SPACER A	VEC1989		32	SCREW	BBZ30P080FMC
	13	CLDM ASSY	See Contrast table (2)		33	SCREW	BBZ30P100FMC
NSP	14	SPACER B	See Contrast table (2)		34	RIVET	RBM-003
	15	HOUSING ASSY (14P)	VKP2151		35	HOUSING ASSY(13P)	See Contrast table (2)
	16	FLEXIBLE CABLE(15P)	VDA1644		36	FLEXIBLE CABLE(6P)	See Contrast table (2)
NSP	17	PANEL HOLDER	VNA1686		37	CONNECTOR ASSY	See Contrast table (2)
NSP	18	MECHANISM ASSY	VWT1149		38	LABEL(CAUTION)	VRW1699
NSP	19	CAM HOLDER L	VNE2089		39	LABEL(REAGION)	See Contrast table (2)
	20	SHIPPING LEVER	VNL1728				

(2) CONTRAST TABLE

DVL-909/WY, WY/RD, RD/RA, RD/RC, RAM and RL are constructed the same except for the following :

Mark	No.	Symbol and Description	Part No.						Remarks
			WY	WY/RD	RD/RA	RD/RC	RAM	RL	
NSP	13	CLDM ASSY	VWS1332	VWS1332	VWS1331	VWS1331	VWS1331	VWS1331	
	14	SPACER B	VEC1979	VEC1979	Not used	Not used	Not used	Not used	
	27	REAR PANEL L	VNA1920	VNA1920	VNA1908	VNA1908	VNA1908	VNA1908	
	29	REAR COVER	VNA1925	VNA1925	VNA1895	VNA1895	VNA1893	VNA1894	
	30	SCRB ASSY	VWV1470	VWV1470	Not used	Not used	Not used	Not used	
	35	HOUSING ASSY(13P)	VKP2162	VKP2162	Not used	Not used	Not used	Not used	
	36	FLEXIBLE CABLE(6P)	VDA1635	VDA1635	Not used	Not used	Not used	Not used	
	37	CONNECTOR ASSY	PG08KK-F10	PG08KK-F10	Not used	Not used	Not used	Not used	
	39	LABEL(REAGION)	VRW1700	VRW1704	VRW1709	VRW1703	Not used	Not used	

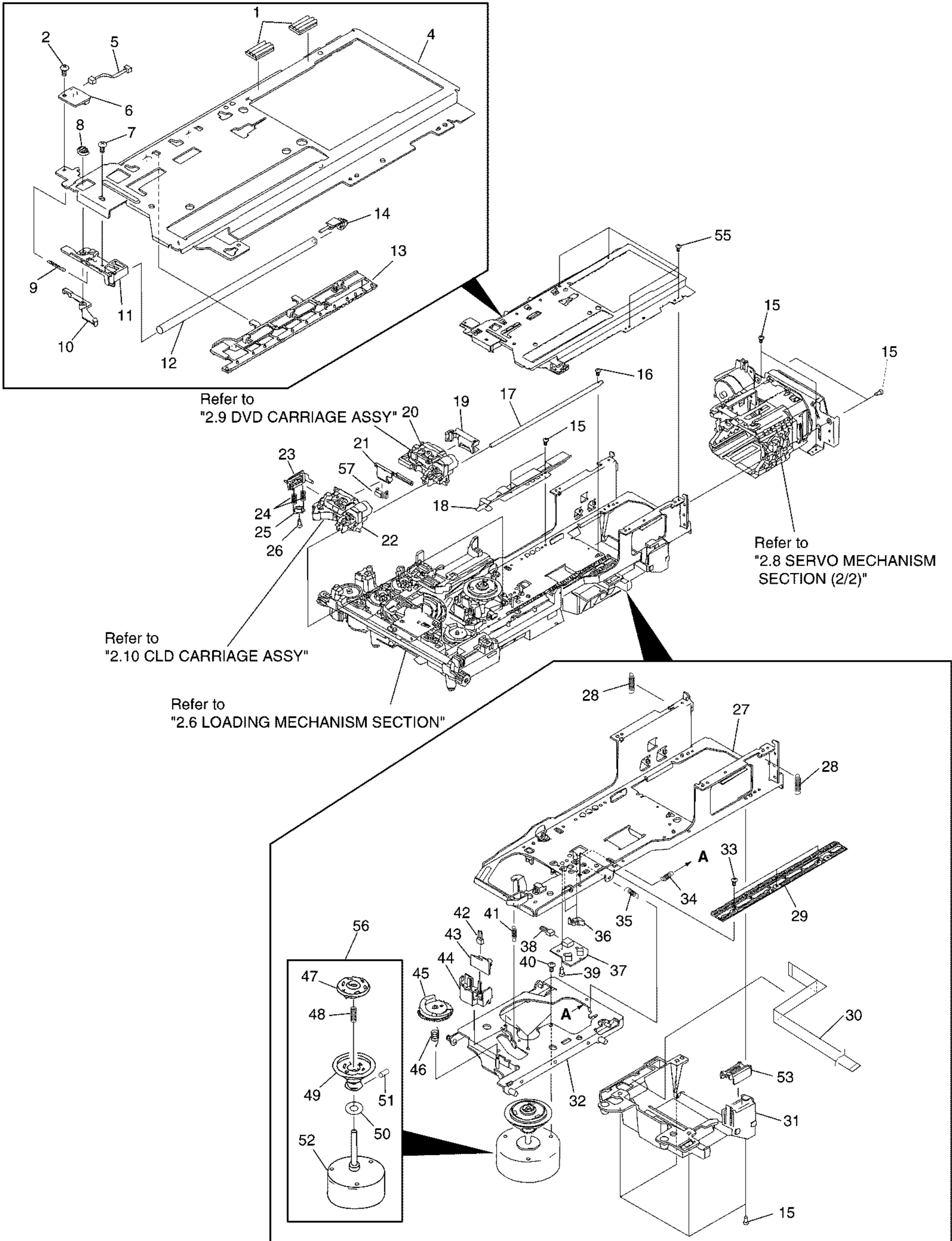
2.6 LOADING MECHANISM SECTION



● **LOADING MECHANISM SECTION PARTS LIST**

Mark	No.	Description	Part No.	Mark	No.	Description	Part No.
	1	Clamp Cam B	VNL1765		16	Flexible Cable (10P)	VDA1645
	2	CDP Spring	VBH1191	NSP	17	LMSB Assy	VWG1554
	3	Screw	Z39-019		18	MB Switch Lever	VNL1664
	4	CD Plate	VNL1685		19	Roller	VNL1042
	5	Rubber Belt	VEB1184		20	Mechanism Base	VNK3239
	6	Gear Pulley	VNL1662		21	Cam Gear	VNL1625
	7	Slider (L)	VNL1665		22	Cam Plate	VNL1631
	8	Twin Gear	VNL1626		23	CAS Spring	VBH1190
	9	Center Gear	VNL1660		24	Shaft Holder	VNE1942
	10	Double Gear	VNL1661		25	CAM Holder	VNE2032
	11	Screw	BMZ26P040FMC		26	Slider (R)	VNL1666
	12	Loading Motor Assy	VXX2045				
	13	Carriage Motor	VXM1033				
NSP	14	Motor Pulley	VNL1630				
	15	Synchro Gear Assy	VXA2105				

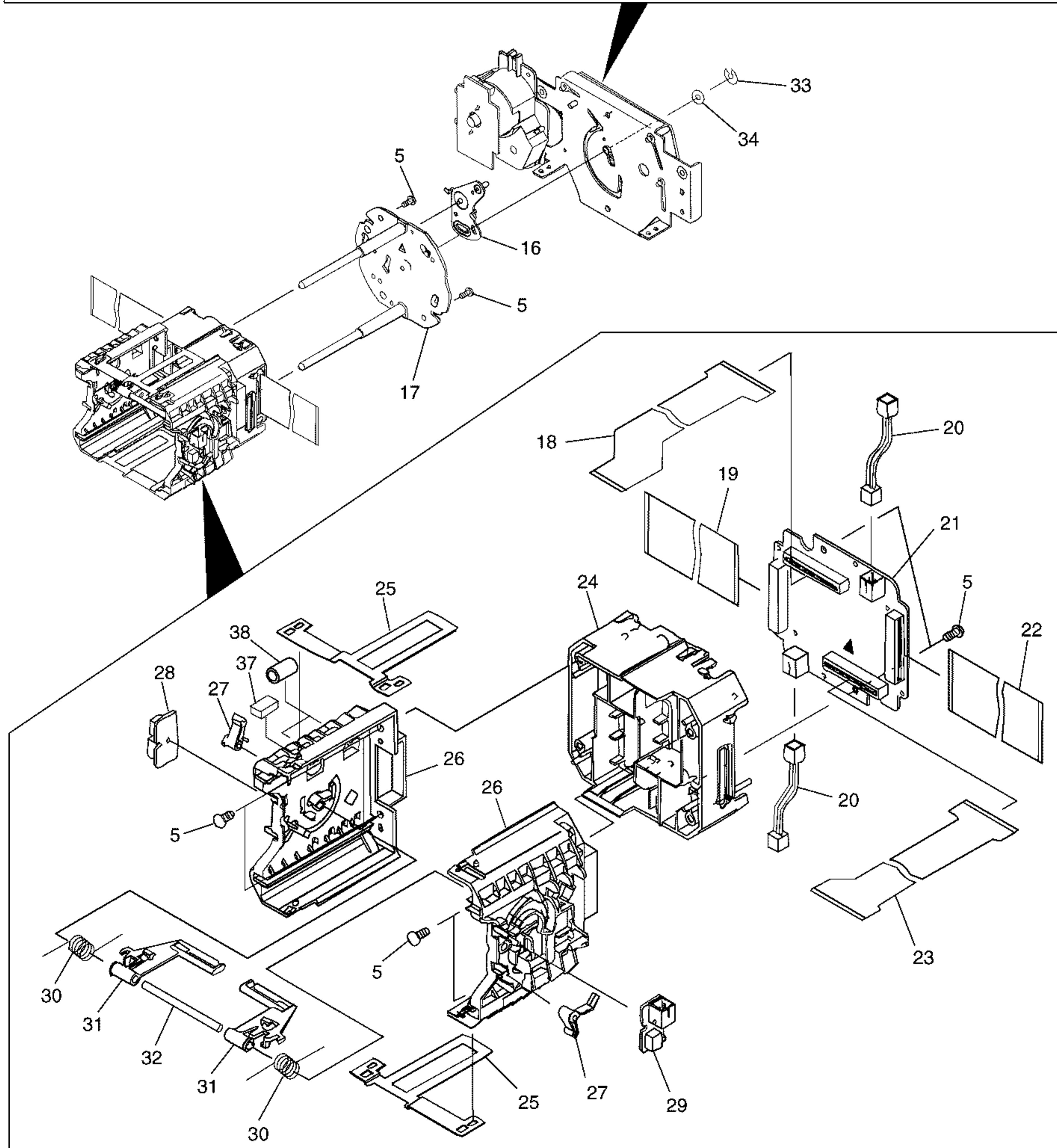
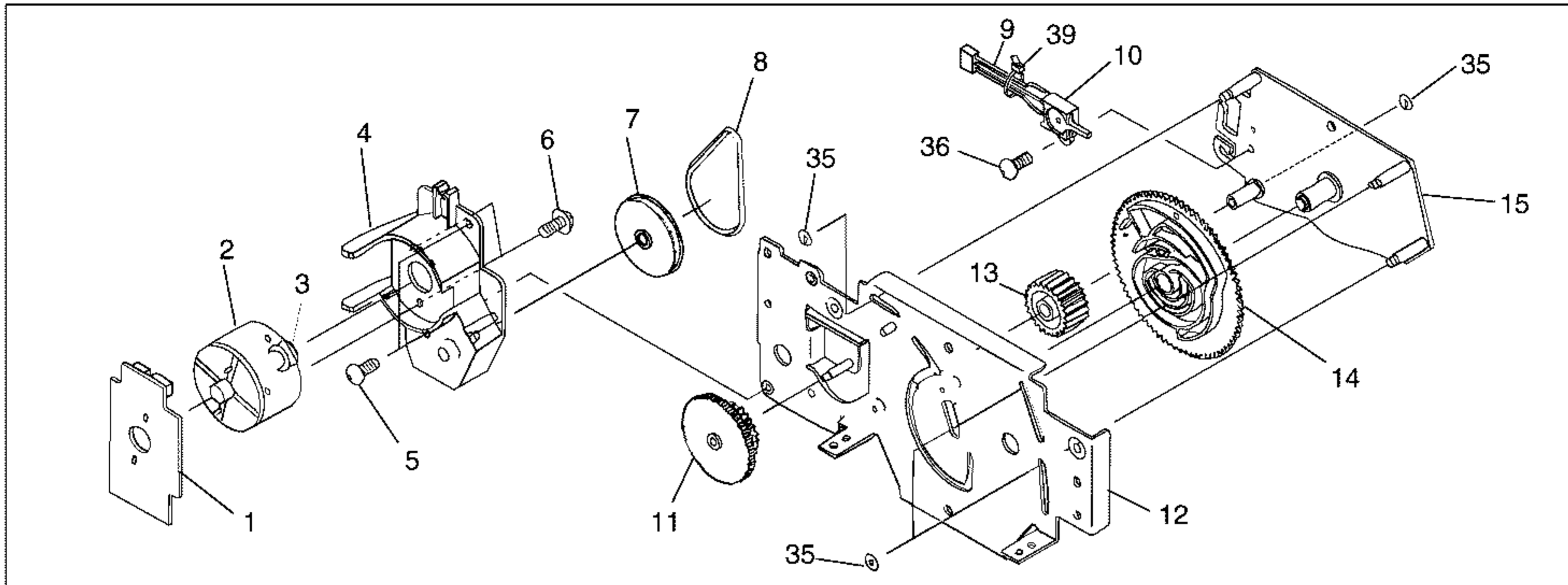
2.7 SERVO MECHANISM SECTION (1/2)



● SERVO MECHANISM SECTION (1/2) PARTS LIST

Mark	No.	Description	Part No.	Mark	No.	Description	Part No.
	1	Mini Clamp	VEC1905		26	Screw	PMZ20P060FZK
	2	Screw	BBZ26P060FMC		27	Tilt Base (Under)	VNL1711
	3	•••••			28	Tilt Rear Spring	VBH1274
	4	Tilt Base (Upper)	VNE2062		29	CA Rack (Lower)	VNL1712
	5	Housing Assy (2P)	VKP2136		30	Flexible Cable (6P)	VDA1642
NSP	6	BISB Assy	VWG1796		31	Flexible Cable Cover	VNL1727
	7	Screw	BPZ20P040FZK		32	Motor Base	VNE1941
	8	B Cam	VNL1725		33	Screw	IBZ26P060FMC
	9	Support Spring	VBH1273		34	Tilt Spring	VBH1263
	10	SW Lever B	VNL1723		35	Thrust Spring	VBH1245
	11	Shaft Holder	VNL1724		36	CA Switch Lever	VNL1644
	12	CA Shaft (Upper)	VLL1486	NSP	37	PKSB Assy	VWG1555
	13	CA Rack (Upper)	VNL1722		38	Housing Assy (3P)	VKP2045
	14	Shaft Stay	VNL1726		39	Screw	IBZ26P120FMC
	15	Screw	BBZ30P080FMC		40	Screw	PMA30P050FMC
	16	Screw	PPZ20P060FMC		41	Tilt Spring B	VBH1287
	17	CA Shaft (Lower)	VLL1496		42	Housing Assy (3P)	VKP2046
	18	TAN Guide	VNE2061	NSP	43	FG Assy	VWG1556
	19	FPC Holder A	VNL1751		44	FG Base	VNL1781
†	20	DVD Carriage Assy	VWT1146		45	Tilt Cam	VNL1643
	21	FPC Holder B	VNL1801		46	Tilt Cam Spring	VBH1243
†	22	CLD Carriage Assy	VWT1141		47	PRC Hub	VNL1684
	23	CA Guide	VNL1668		48	Centering Spring	VBH1269
	24	TAN Spring (B)	VBH1264		49	R Turn Table Assy	VXA2354
	25	TAN Lever (B)	VNL1669	NSP	50	Oil Stopper	VPF1002
					51	Screw	ZMD30H030FBT
				NSP	52	Spindle Motor	VXM1057
					53	Cover S	VNL1780
					54	•••••	
					55	Screw	BBZ30P050FZK
					56	Spindle Motor Assy	VXX2579
					57	FPC Holder	VNL1789

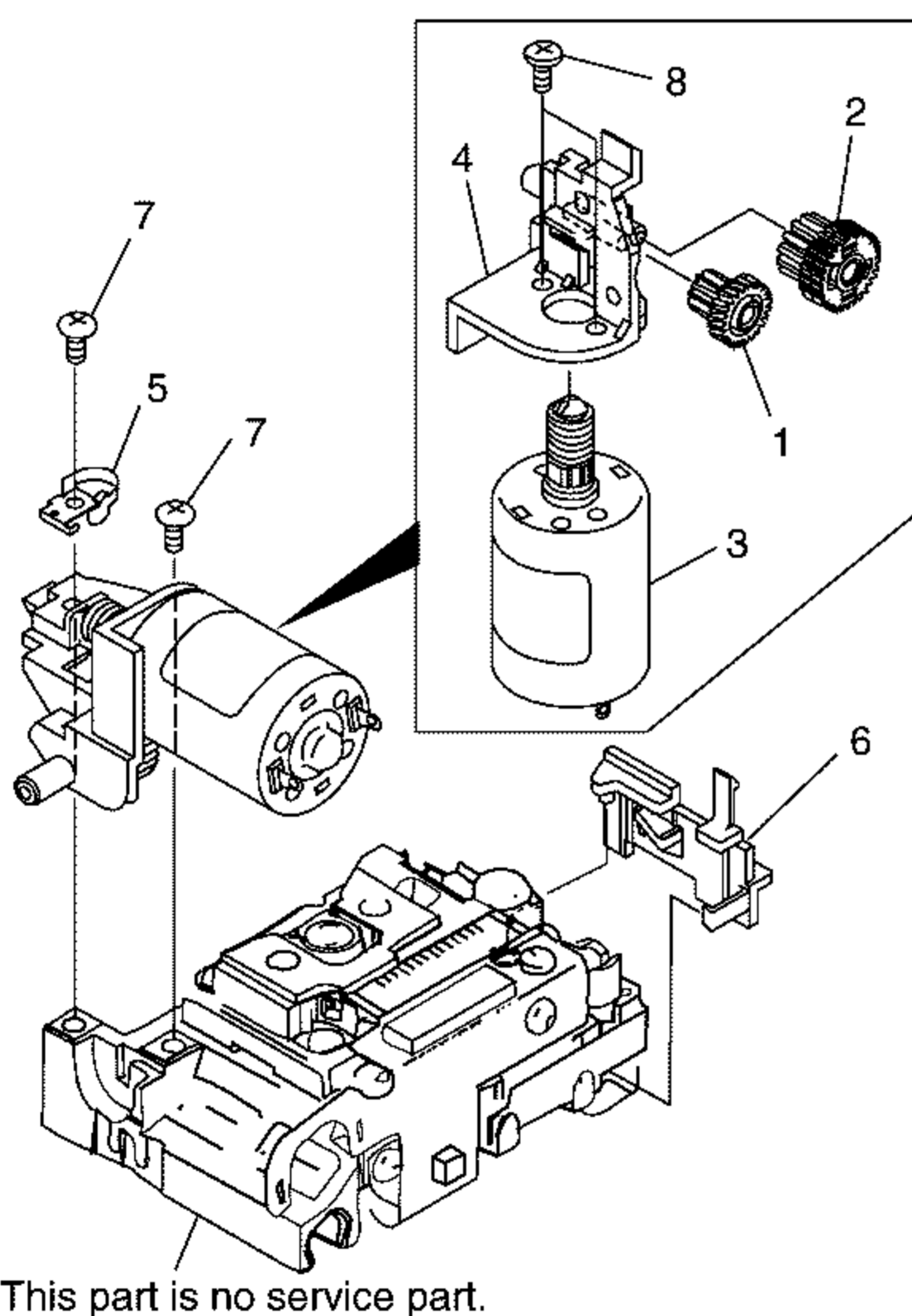
2.8 SERVO MECHANISM SECTION (2/2)



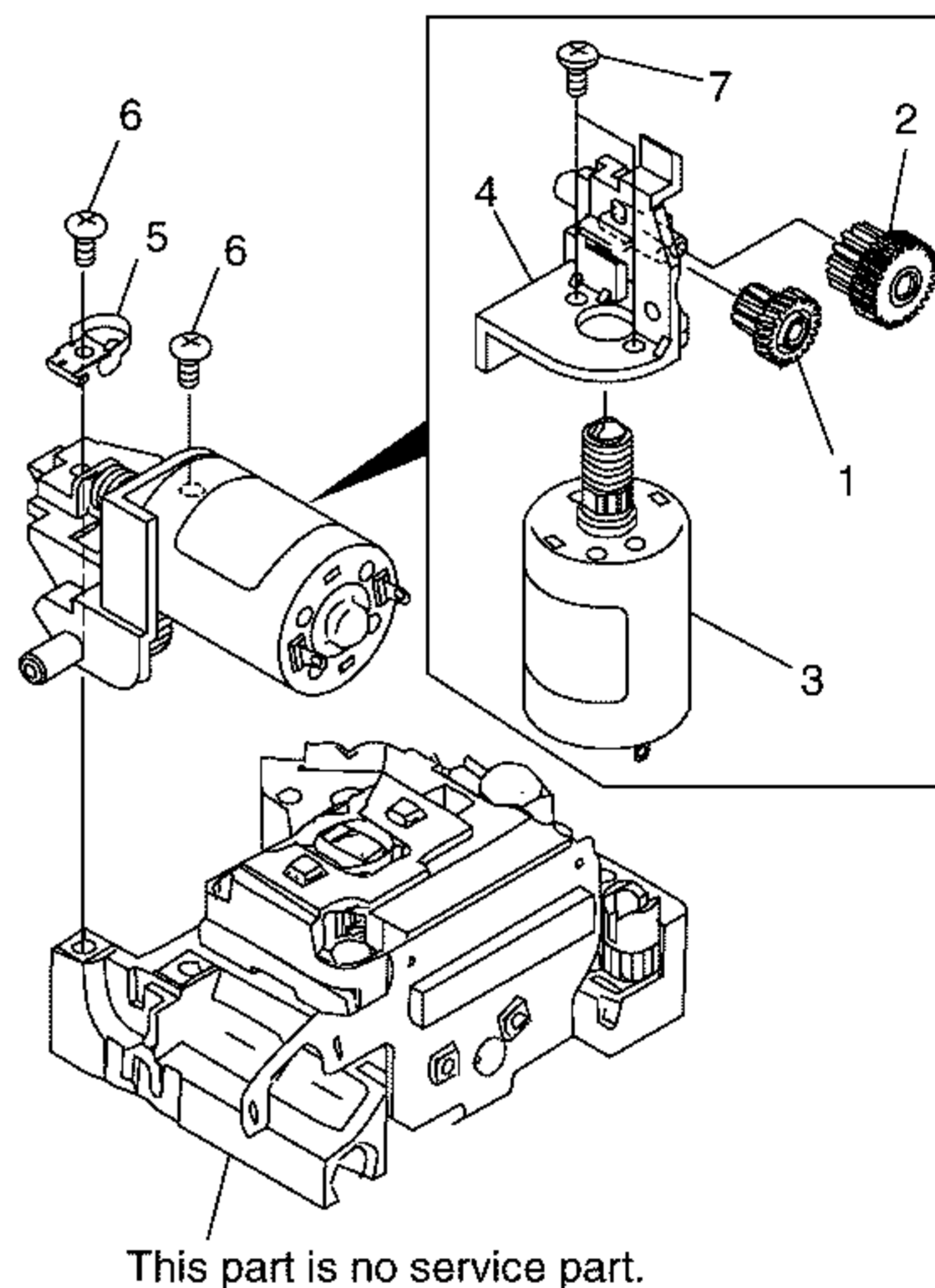
● SERVO MECHANISM SECTION (2/2) PARTS LIST

Mark	No.	Description	Part No.	Mark	No.	Description	Part No.
NSP	1	TNMB Assy	VWG1793	NSP	21	CNNB Assy	VWG1792
	2	Carriage Motor	VXM1033		22	Flexible Cable (27P)	VDA1643
NSP	3	Motor Pulley	VNL1630		23	PU FPC-A	VNP1582
	4	Motor Holder	VNL1717		24	PCB Holder	VNL1716
	5	Screw	BBZ30P080FMC		25	FC Guide	VNE2059
	6	Screw	BMZ26P040FMC		26	PU Holder	VNL1715
	7	Gear Pulley	VNL1662		27	SW Lever C	VNL1714
	8	Rubber Belt	VEB1184	NSP	28	LCSB Assy	VWG1795
	9	Housing Assy (3P)	VKP2137	NSP	29	DCSB Assy	VWG1794
	10	Lever Switch	DSK1003		30	FC Arm Spring	VBH1272
	11	Middle Gear	VNL1720		31	FC Arm	VNL1713
	12	Turn Panel Assy	VXA2337		32	Tilt Shaft	VLL1175
	13	Gear S	VNL1719		33	E Ring	YE30FUC
	14	Turn Cam Gear	VNL1718		34	Washer	WA42D080D050
	15	Swing Plate Assy	VXA2289		35	Washer	WT26D070D050
	16	Turn Lever Assy	VXA2292		36	Screw	PMA26P060FMC
	17	Turn Plate Assy	VXA2290		37	Cushion	VEC1917
	18	PU FPC-B	VNP1583		38	Tube	VEB1273
	19	Flexible Cable (26P)	VDA1653		39	Binder	Z09-056
	20	Connector Assy	PG02KK-E10				

2.9 DVD CARRIAGE ASSY



2.10 CLD CARRIAGE ASSY



● DVD CARRIAGE ASSY PARTS LIST

Mark	No.	Description	Part No.
	1	CA Gear (A)	VNL1782
	2	CA Gear B Assy	VXX2471
	3	Slider Motor Assy	VXX2472
	4	Motor Holder	VNL1779
	5	Thrust Holder	VBK1058
	6	CA Guide B	VNL1721
	7	Screw	BBZ20P050FZK
	8	Screw	PMA20P033FUC

● CLD CARRIAGE ASSY PARTS LIST

Mark	No.	Description	Part No.
	1	CA Gear (A)	VNL1782
	2	CA Gear (B)	VNL1639
	3	Slider Motor Assy	VXX2472
	4	Motor Holder	VNL1779
	5	Thrust Holder	VBK1058
	6	Screw	PBZ20P050FMC
	7	Screw	PMA20P033FUC

3. SCHEMATIC DIAGRAM

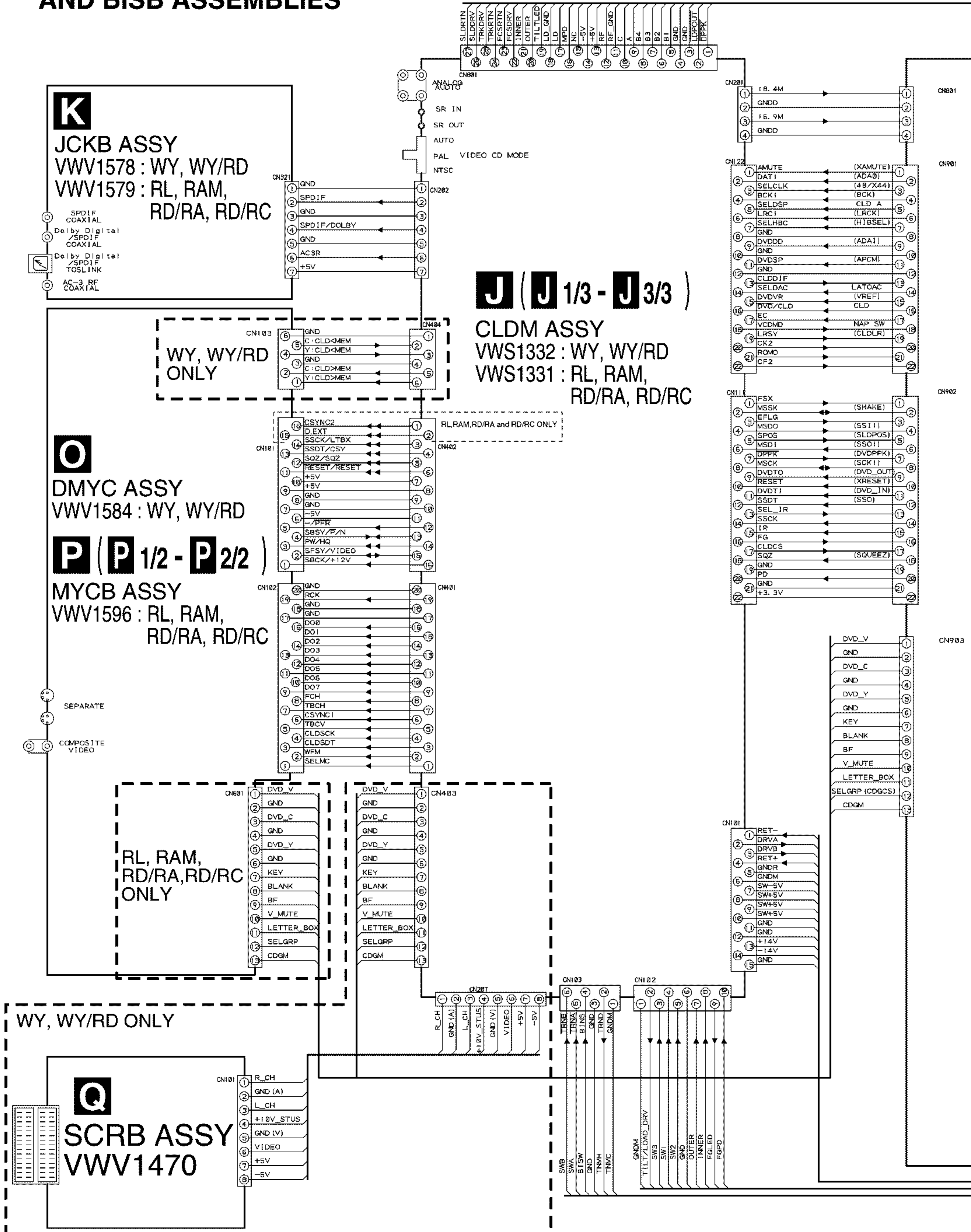
3.1 OVERALL WIRING DIAGRAM, LMSB, PKSB, FG, CNNB, TNMB, DCSB, LCSB AND BISB ASSEMBLIES

A

B

C

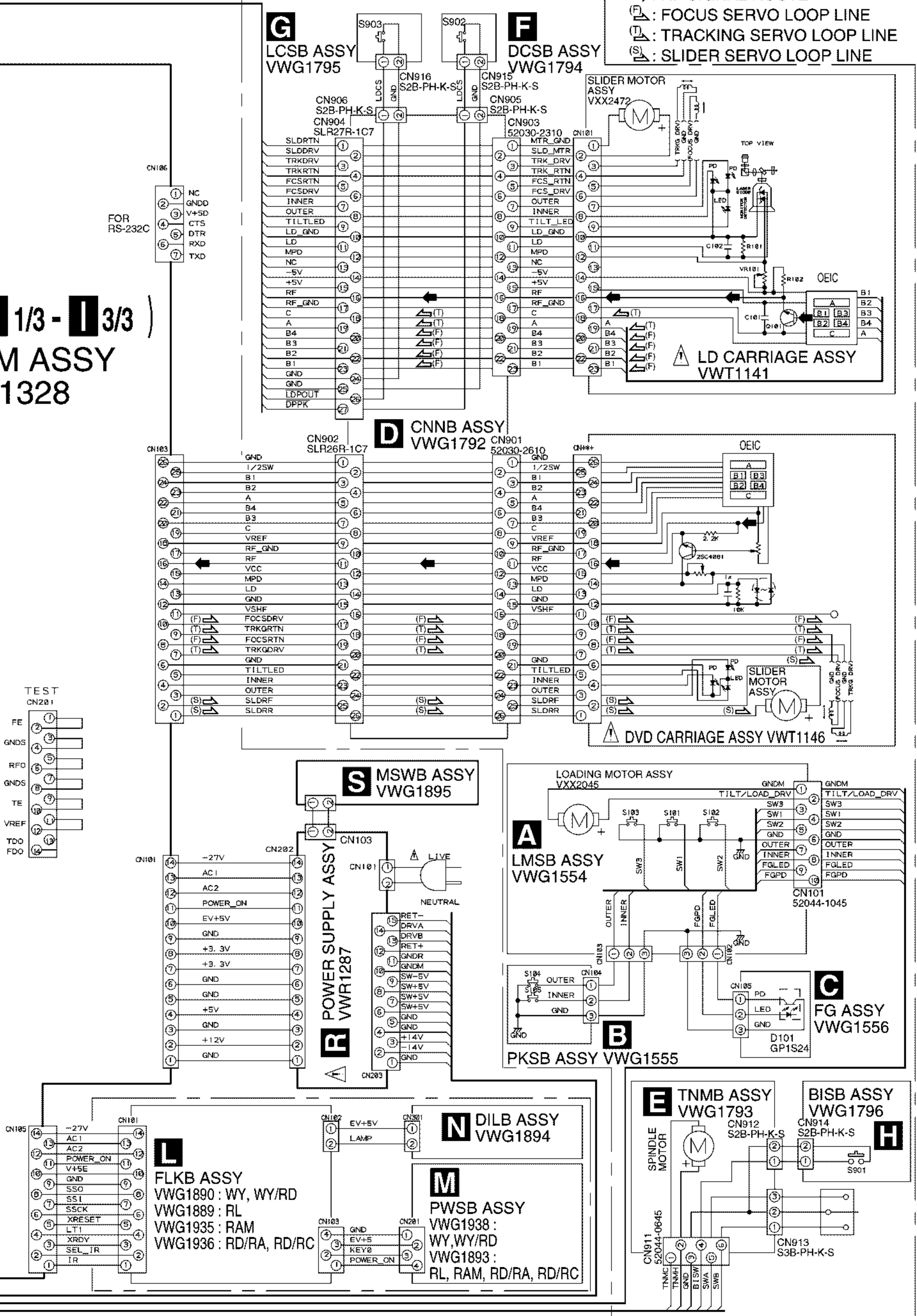
D



Note : When ordering service parts, be sure to refer to "EXPLODED VIEWS and PARTS LIST" or "PCB PARTS LIST".

- ➡ : RF SIGNAL ROUTE
- (F) : FOCUS SERVO LOOP LINE
- (T) : TRACKING SERVO LOOP LINE
- (S) : SLIDER SERVO LOOP LINE

1 (1/3 - 3/3)
DVDM ASSY
VWS1328



A B C D E F G H

3.2 DVDM ASSY (1/3)

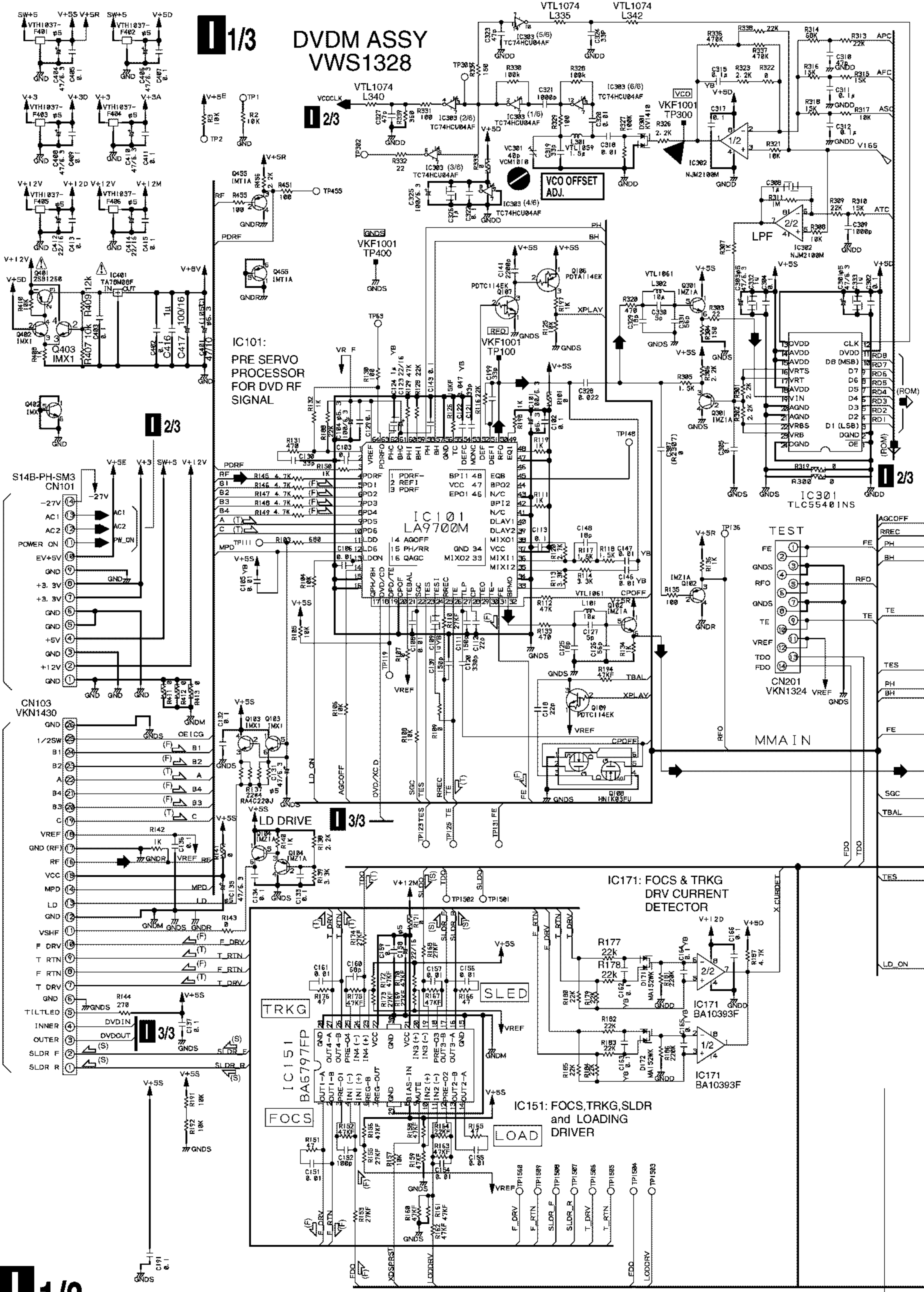
A

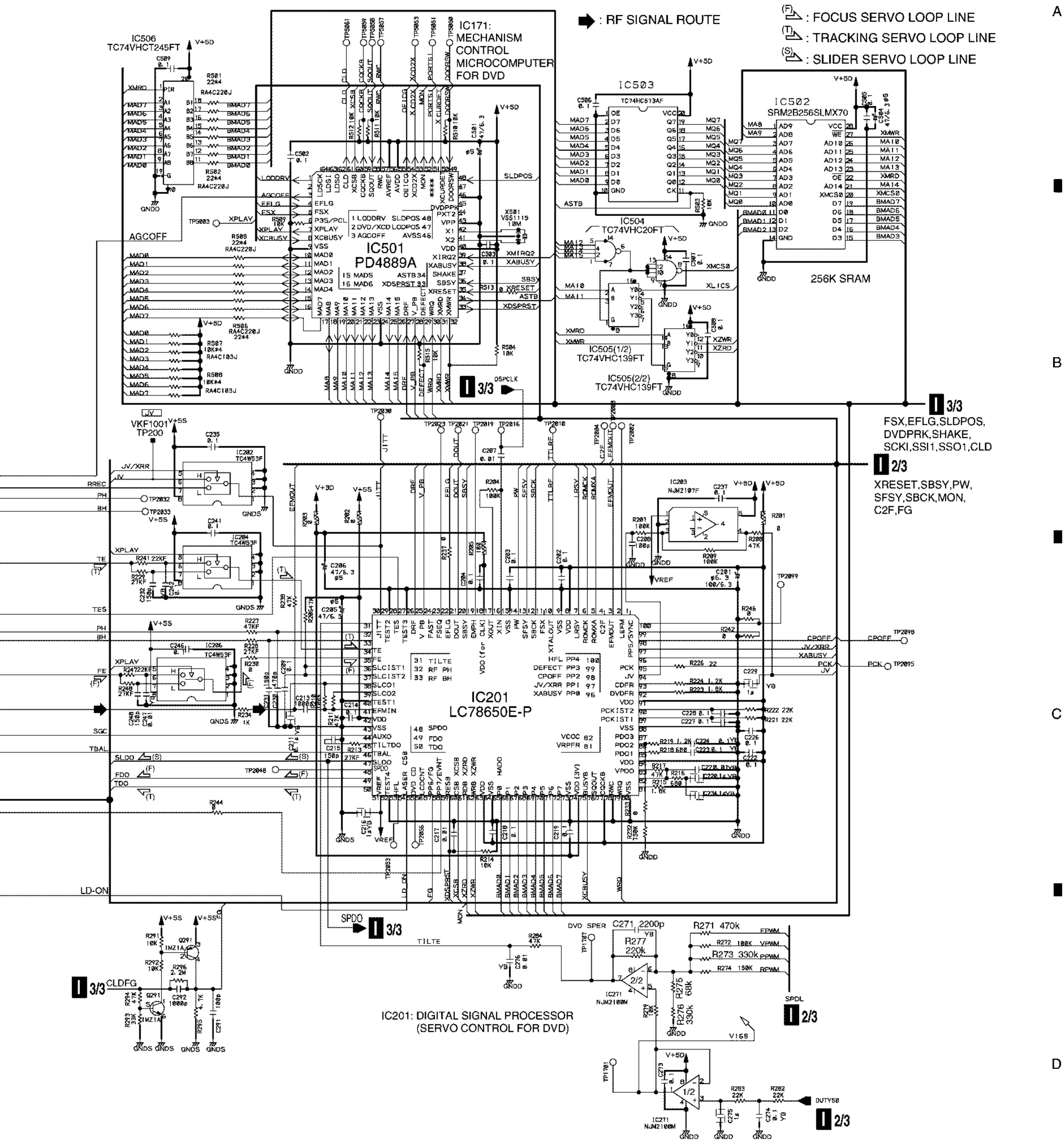
B

C

D

1/3 DVDM ASSY VWS1328





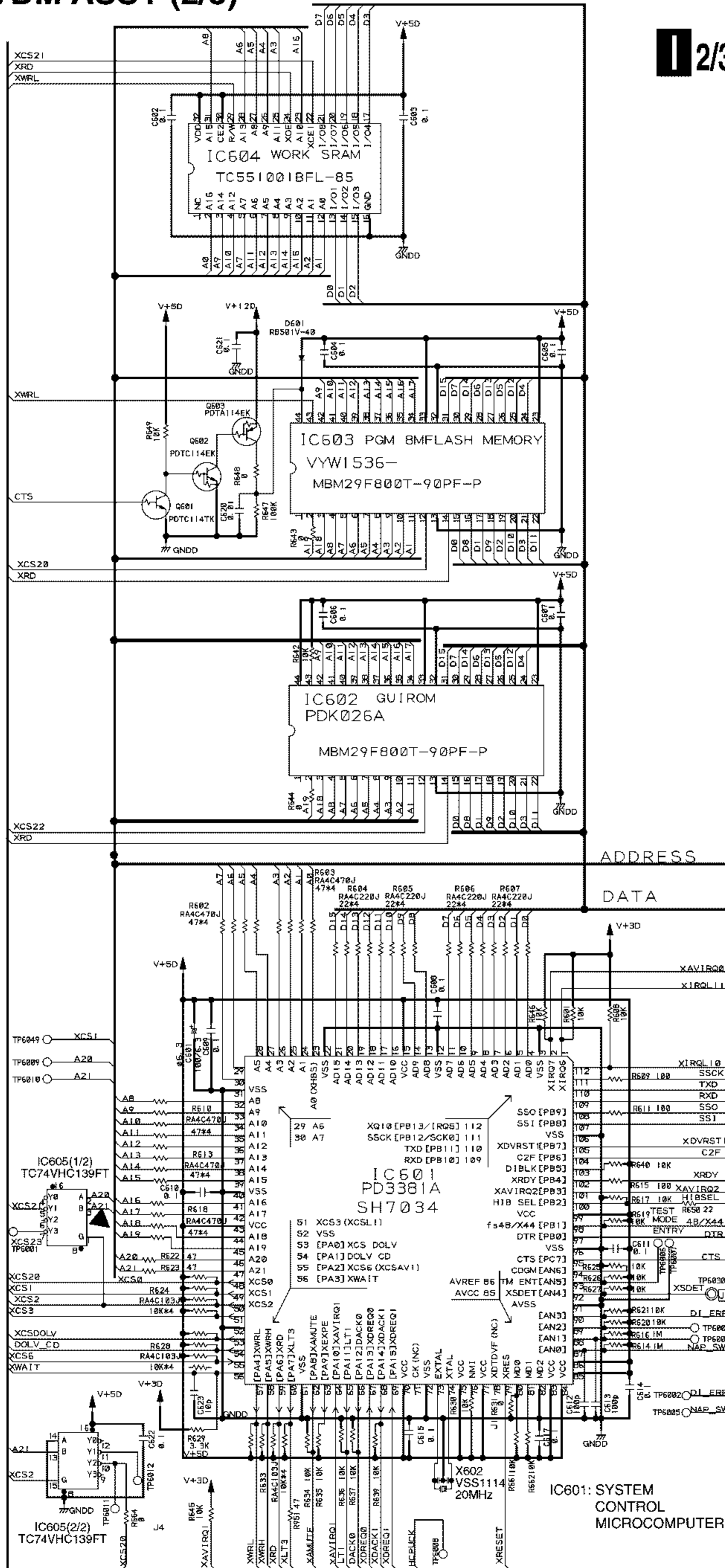
3.3 DVDM ASSY (2/3)

A

B

C

D

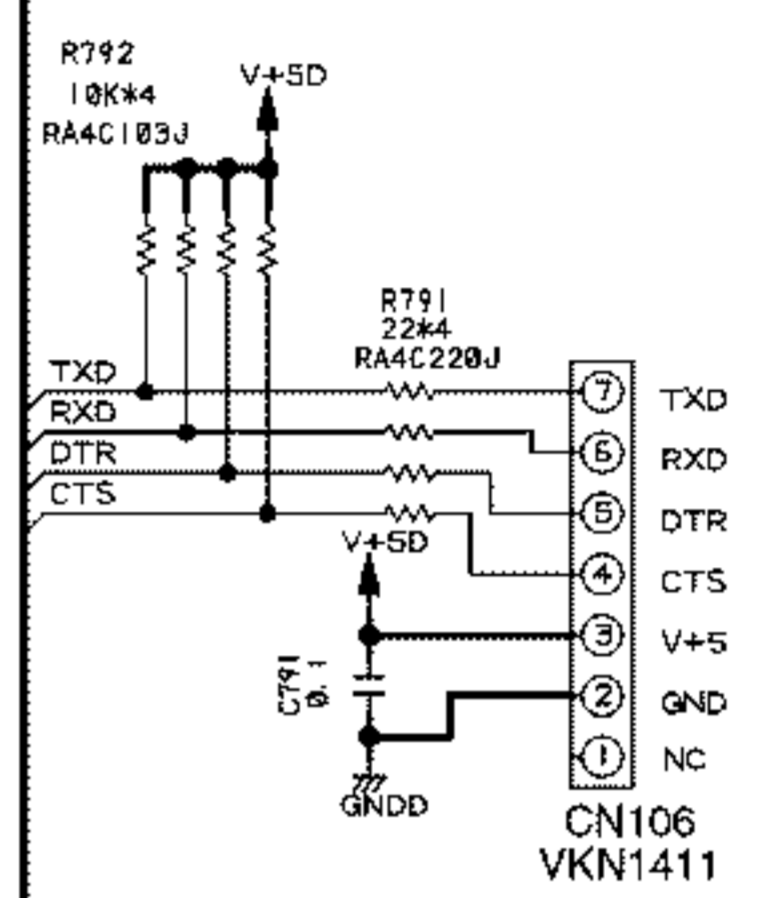


1/3

DVDM ASSY
VWS1328

1/3
C2F,XRESET

3/3
XCSDOLV,DOLV-CD,XWRL,XWRH,
XRD,XLT3,XAMUTE,XDREQ1,CDGM,
HCPUCK,IR,SEL-IR,XDVRST1,
XAVIRQ0,48/X44,HIBSEL,XCS6,
XDACK1,NAP SW,C2F



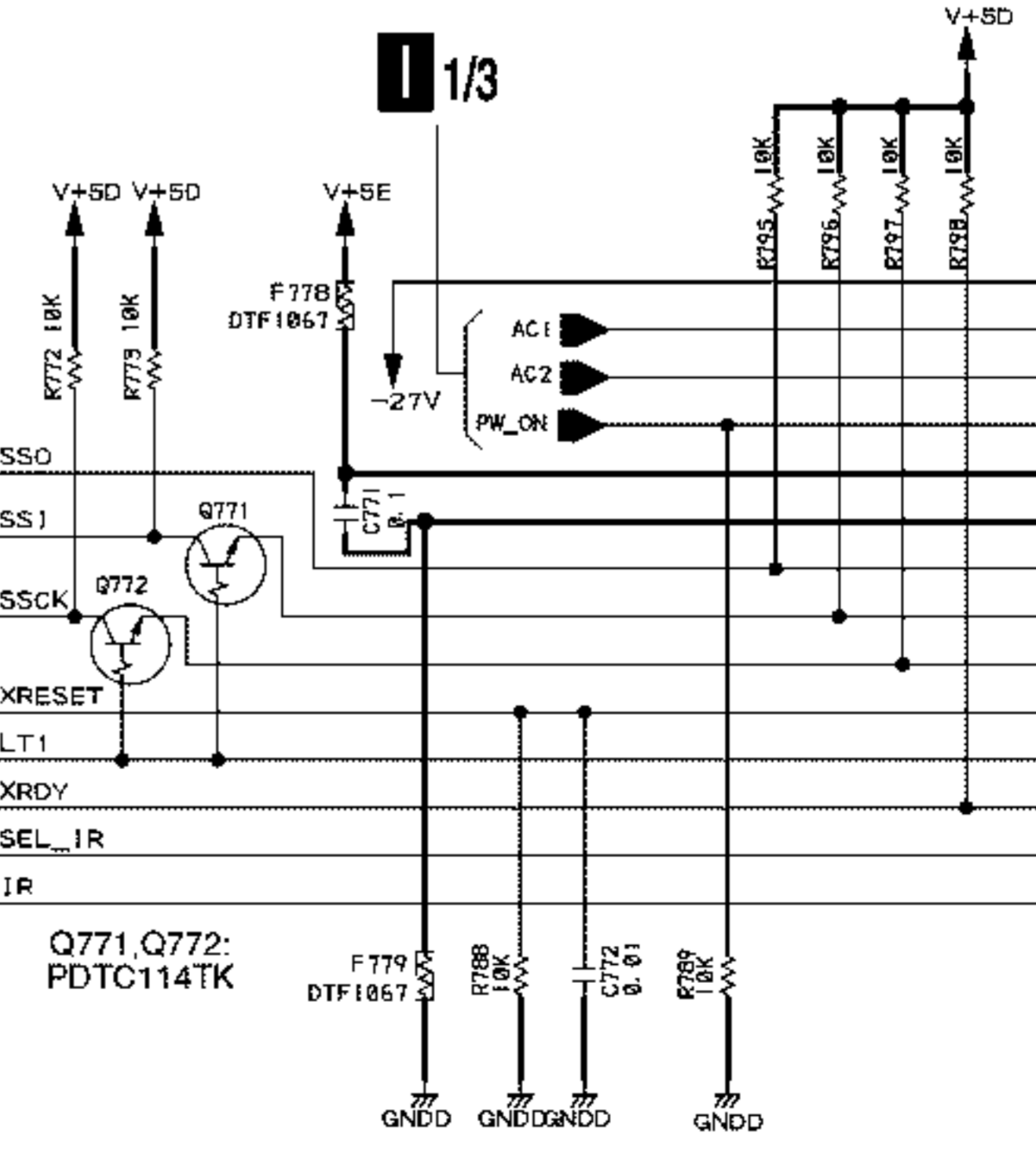
MAIN



3/3
ADDRESS
A2-A10

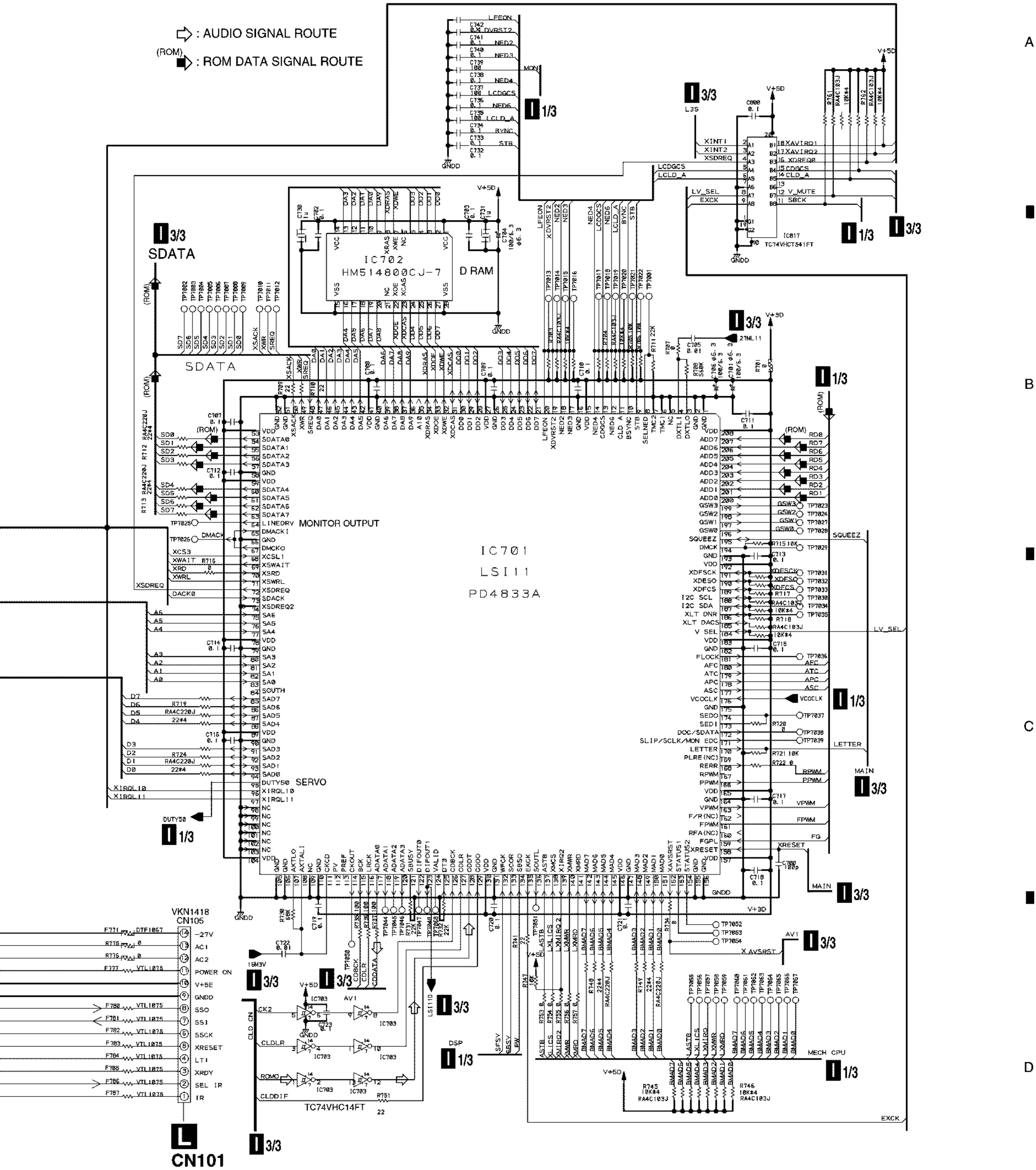
ADDRESS
DATA

3/3
DATA

1/3



 : AUDIO SIGNAL ROUTE
 (ROM) : ROM DATA SIGNAL ROUTE



3.4 DVDM ASSY (3/3)

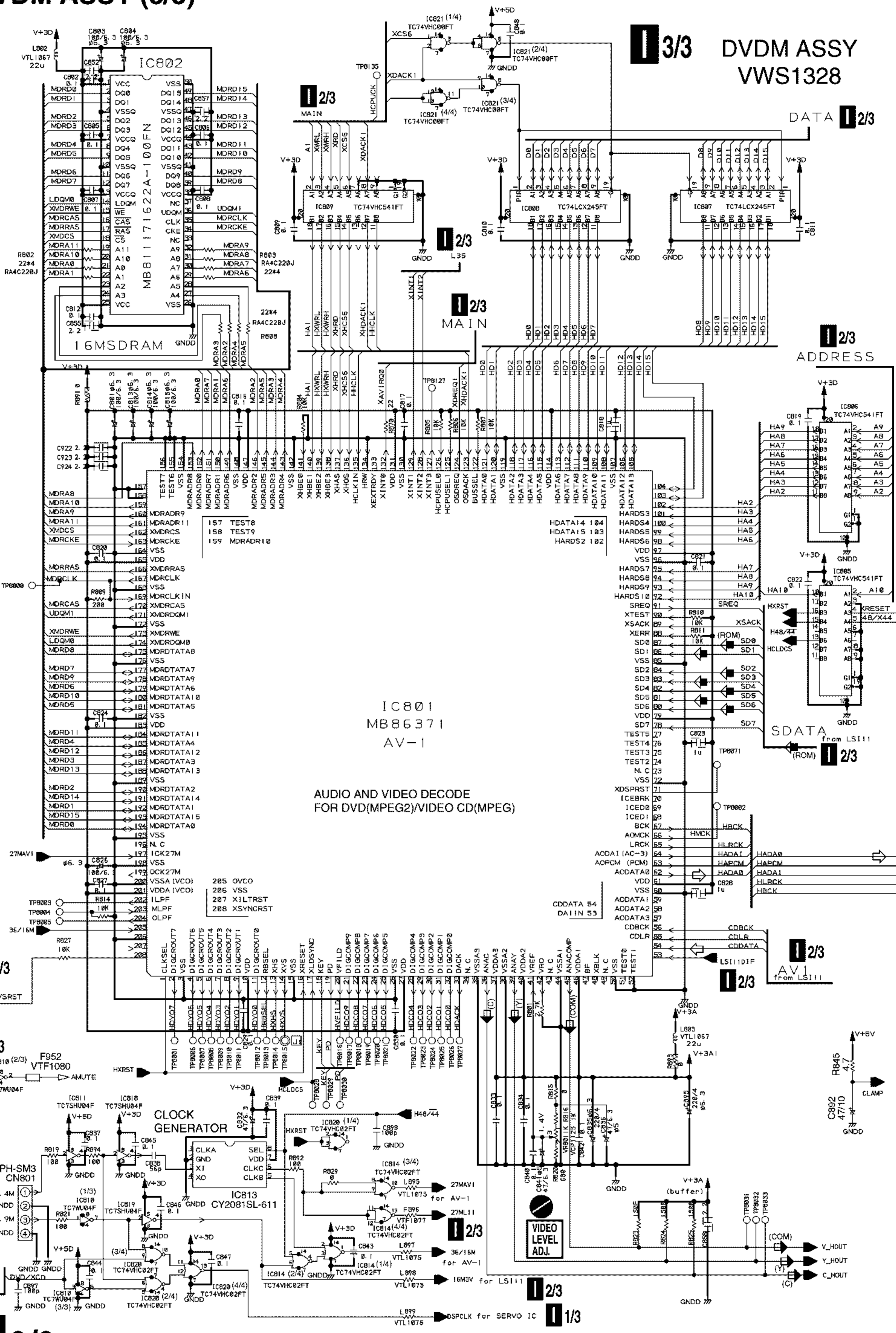
3/3 DVDM ASSY
VWS1328

A

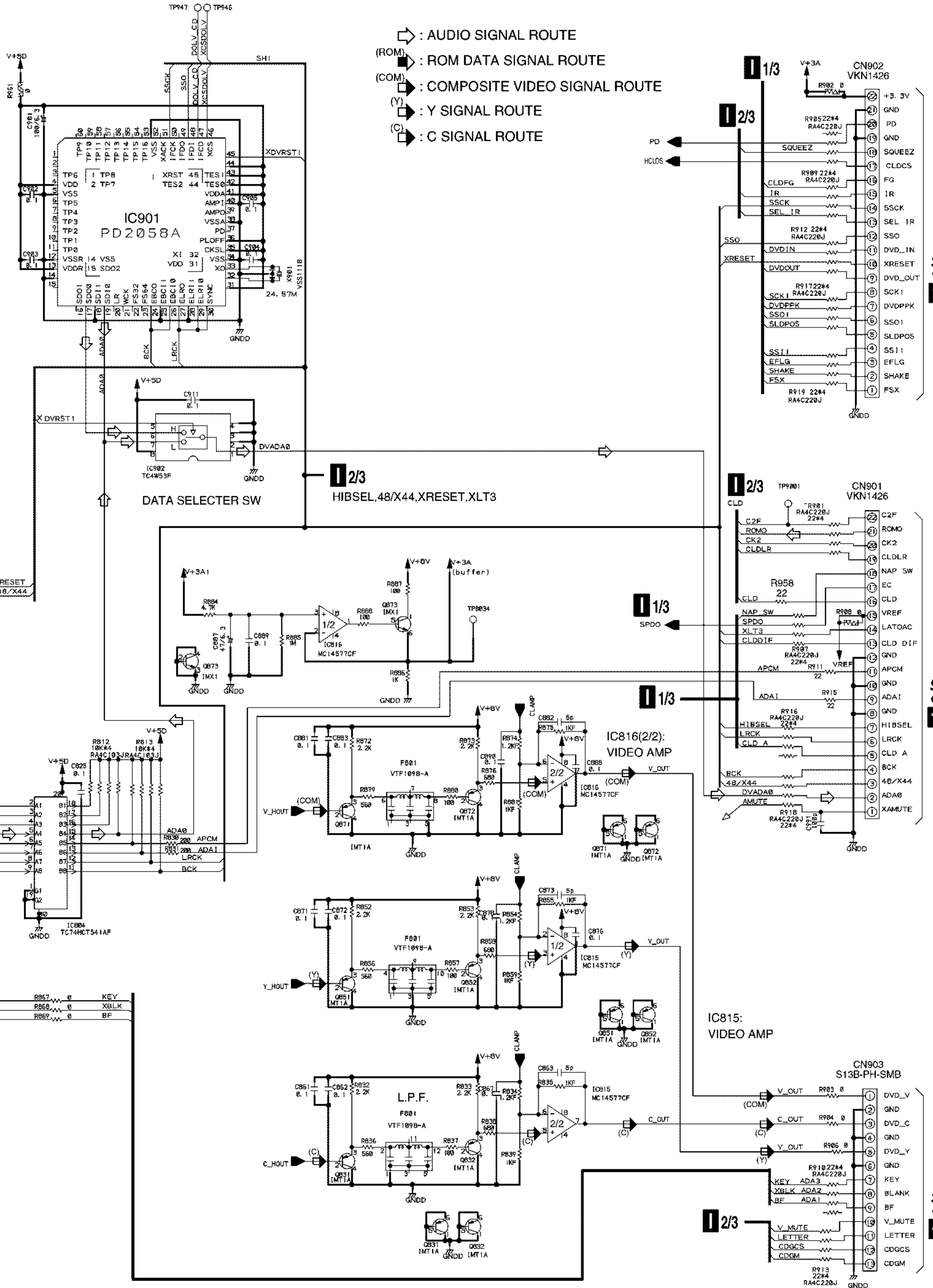
B

C

D



- ⇨ : AUDIO SIGNAL ROUTE
- (ROM) ⇨ : ROM DATA SIGNAL ROUTE
- (COM) ⇨ : COMPOSITE VIDEO SIGNAL ROUTE
- (Y) ⇨ : Y SIGNAL ROUTE
- (C) ⇨ : C SIGNAL ROUTE



A

B

C

D

3.5 CLDM ASSY (1/3)

J 2/3

J 2/3

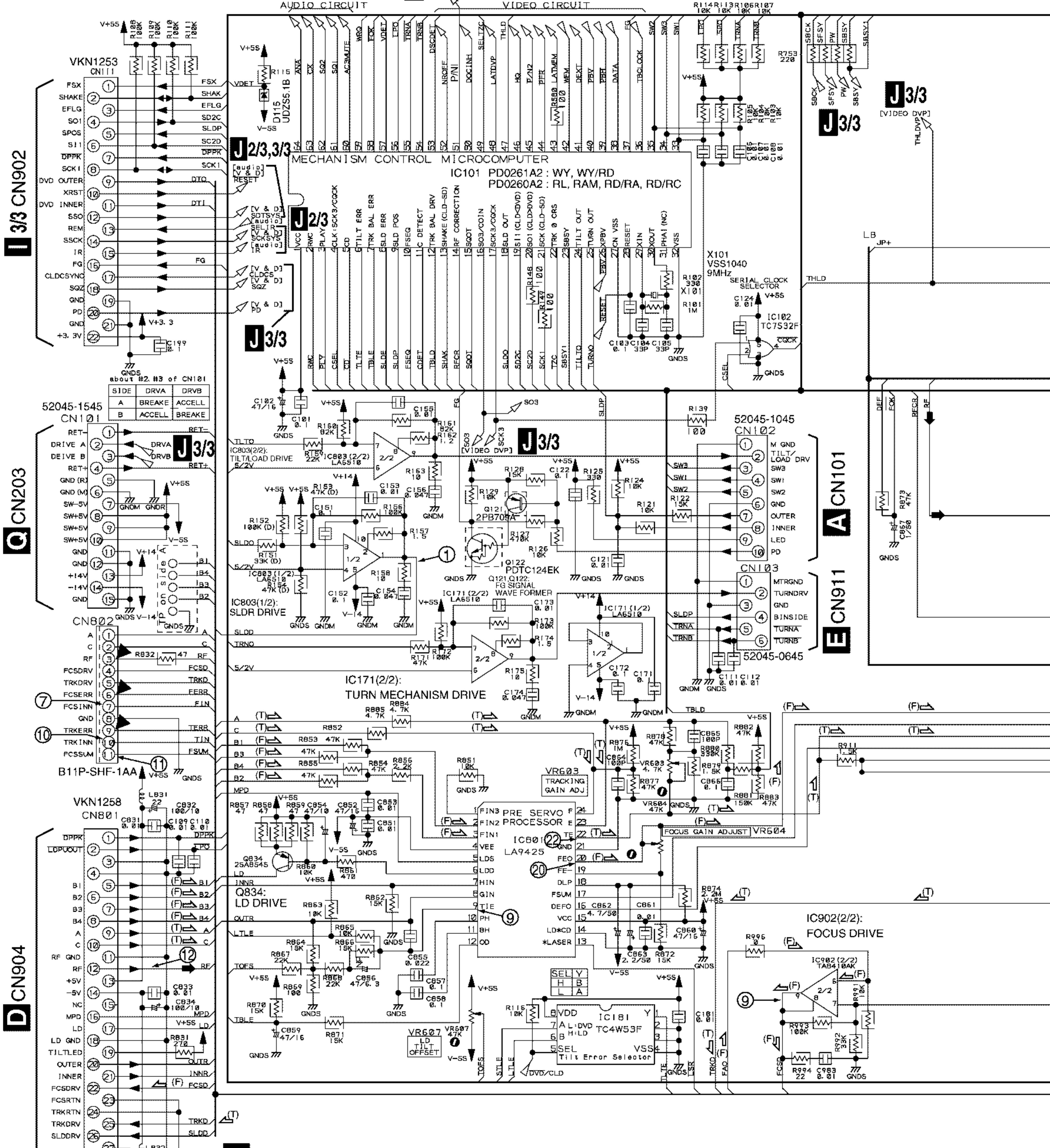
J 3/3

A

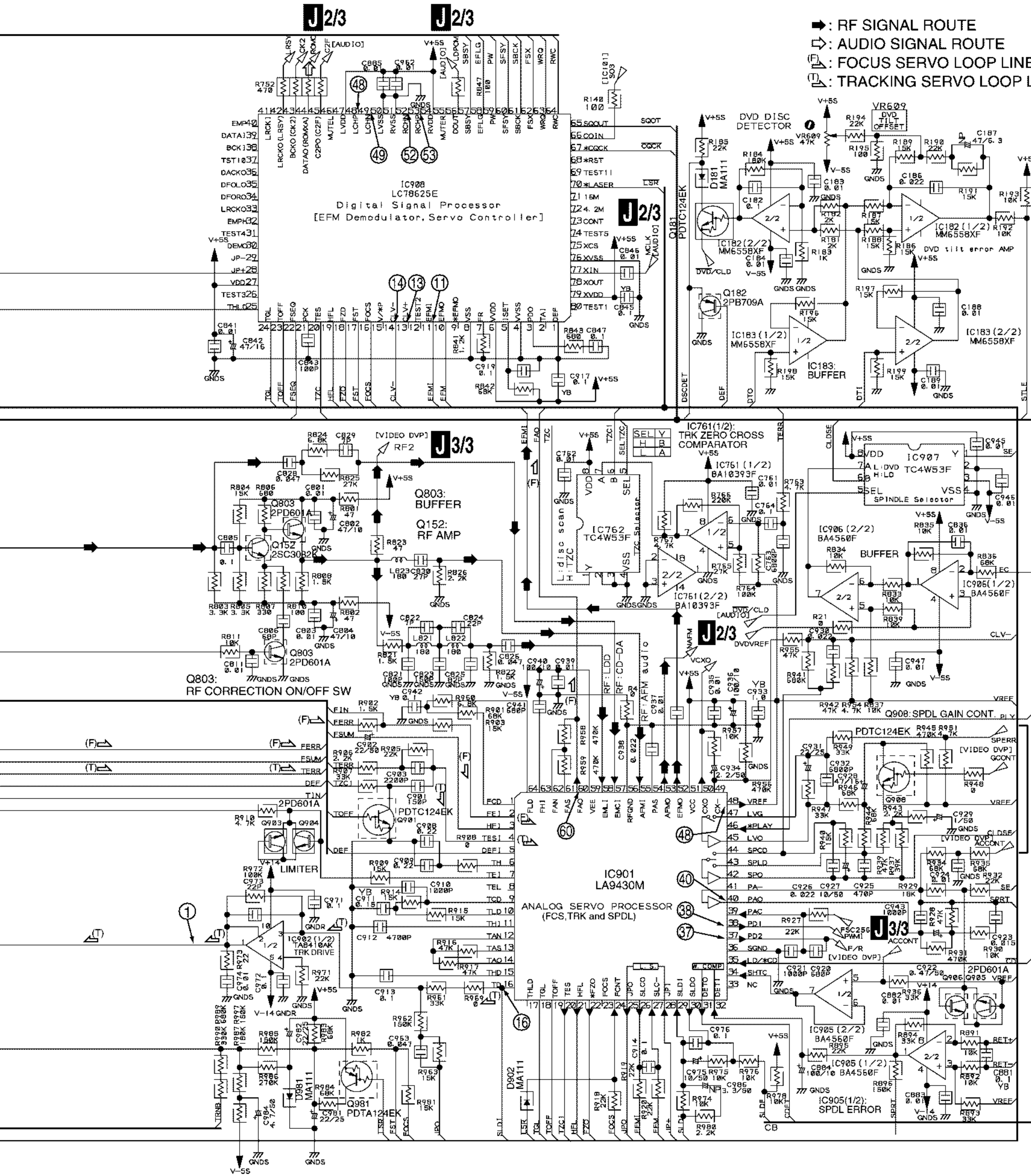
B

C

D



J 1/3 CLDM ASSY
(VWS1332 : WY and WY/RD types)
(VWS1331 : RL, RAM, RD/RA and RD/RC types)

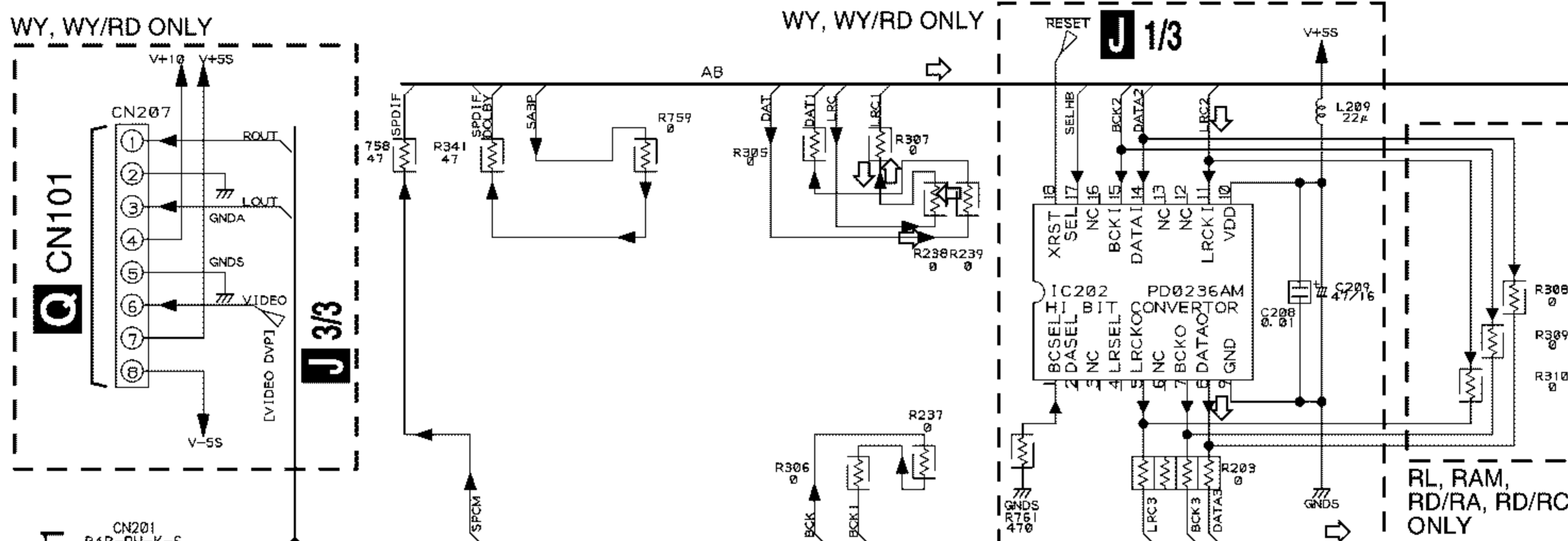


- ➔ : RF SIGNAL ROUTE
- ⇄ : AUDIO SIGNAL ROUTE
- Ⓢ : FOCUS SERVO LOOP LINE
- Ⓣ : TRACKING SERVO LOOP LINE

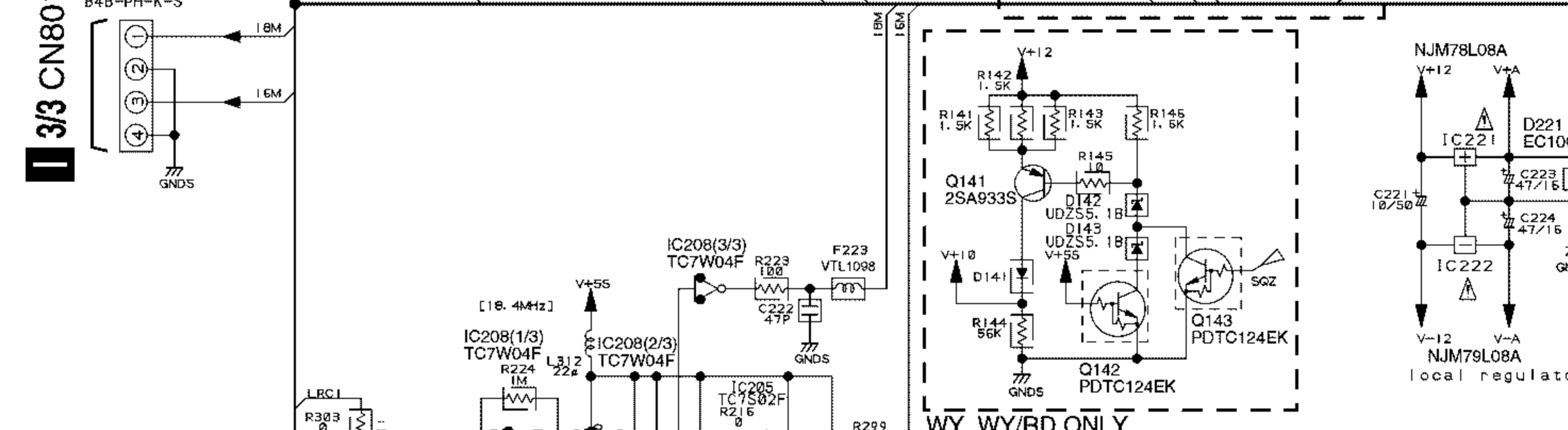
A
B
C
D

3.6 CLDM ASSY (2/3) AND JCKB ASSY

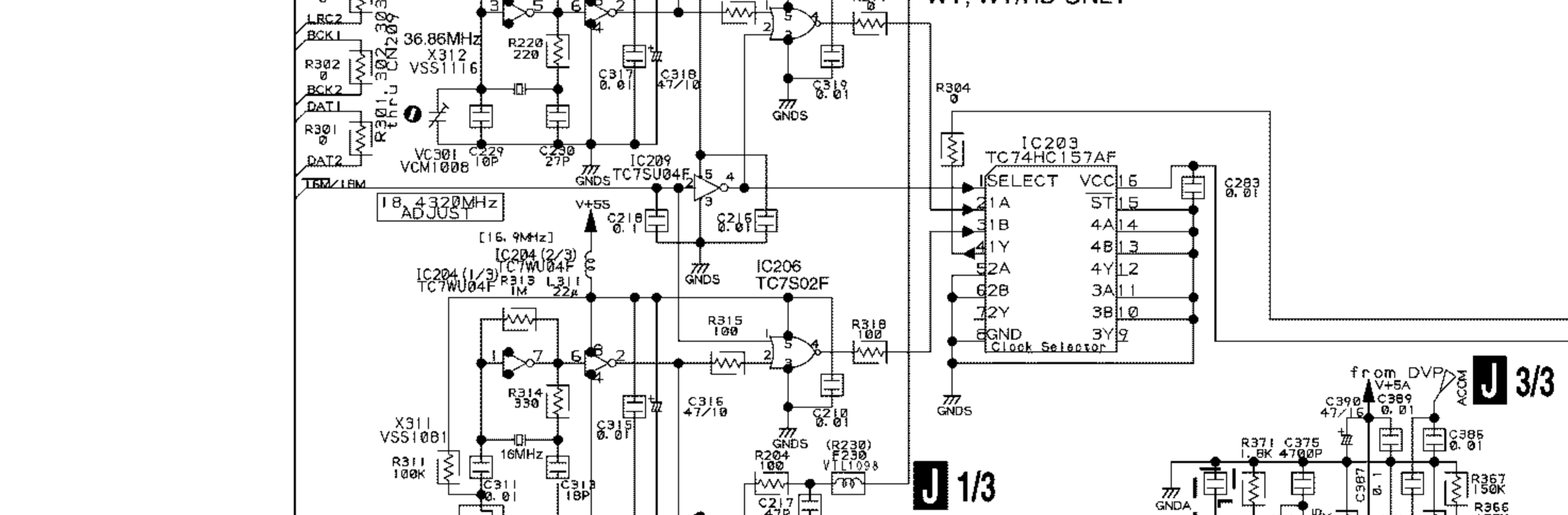
A



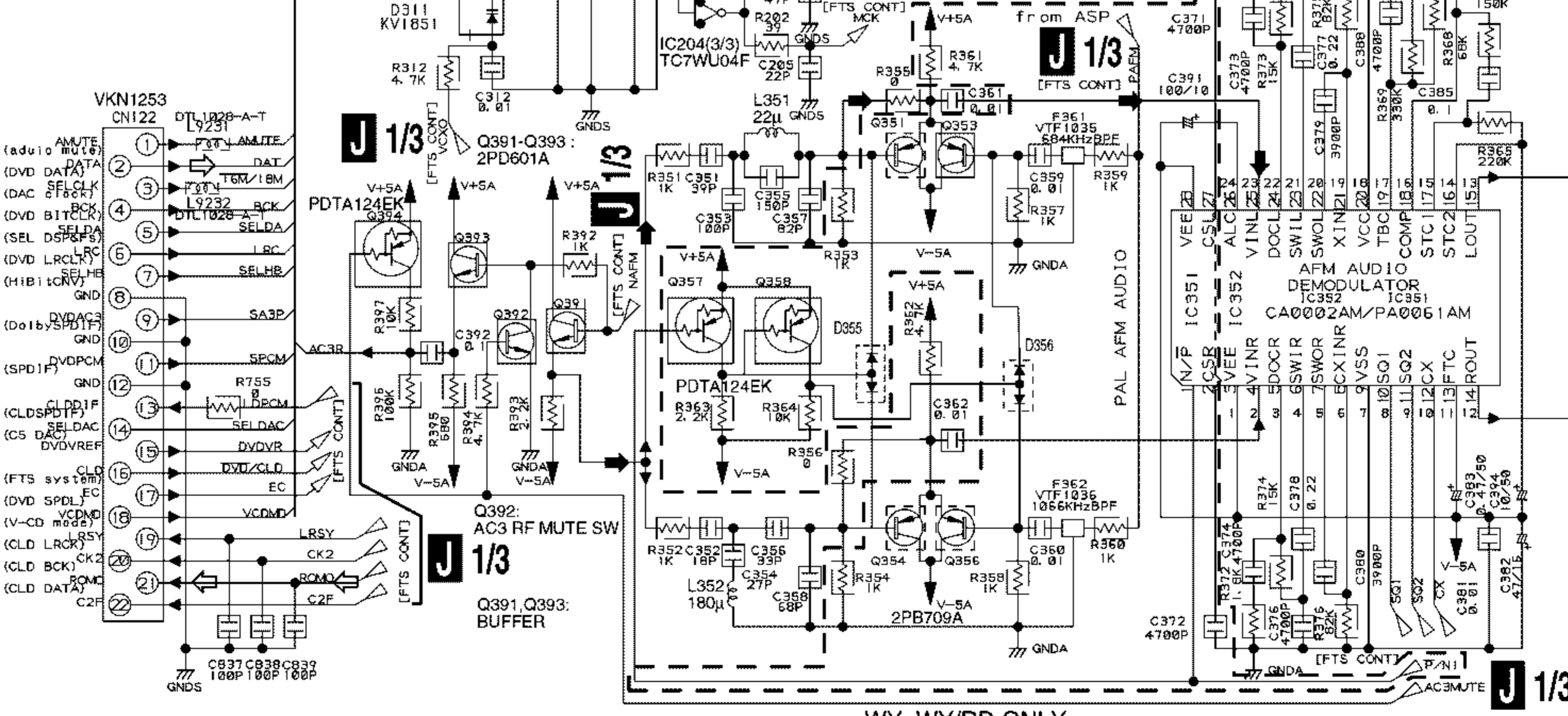
B



C



D



CLDM ASSY

(VWS1332 : WY, WY/RD)

(VWS1331 : RL, RAM, RD/RA, RD/RC)

J 2/3

➡ : RF SIGNAL ROUTE

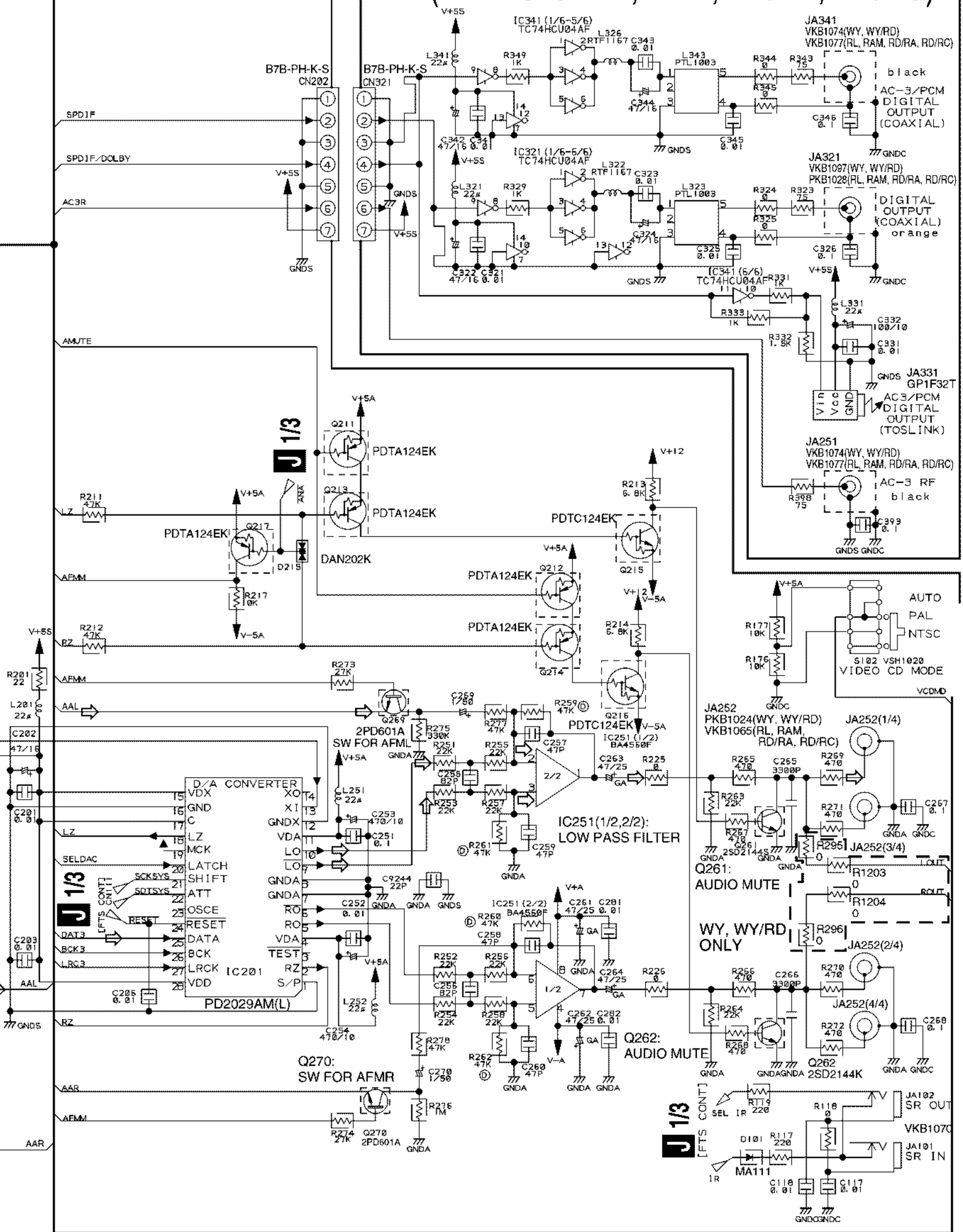
⇨ : AUDIO SIGNAL ROUTE

K

JCKB ASSY

(VWV1578 : WY, WY/RD)

(VWV1579 : RL, RAM, RD/RA, RD/RC)



J 2/3

K

3.7 CLDM ASSY (3/3)(FOR WY AND WY/RD TYPES)

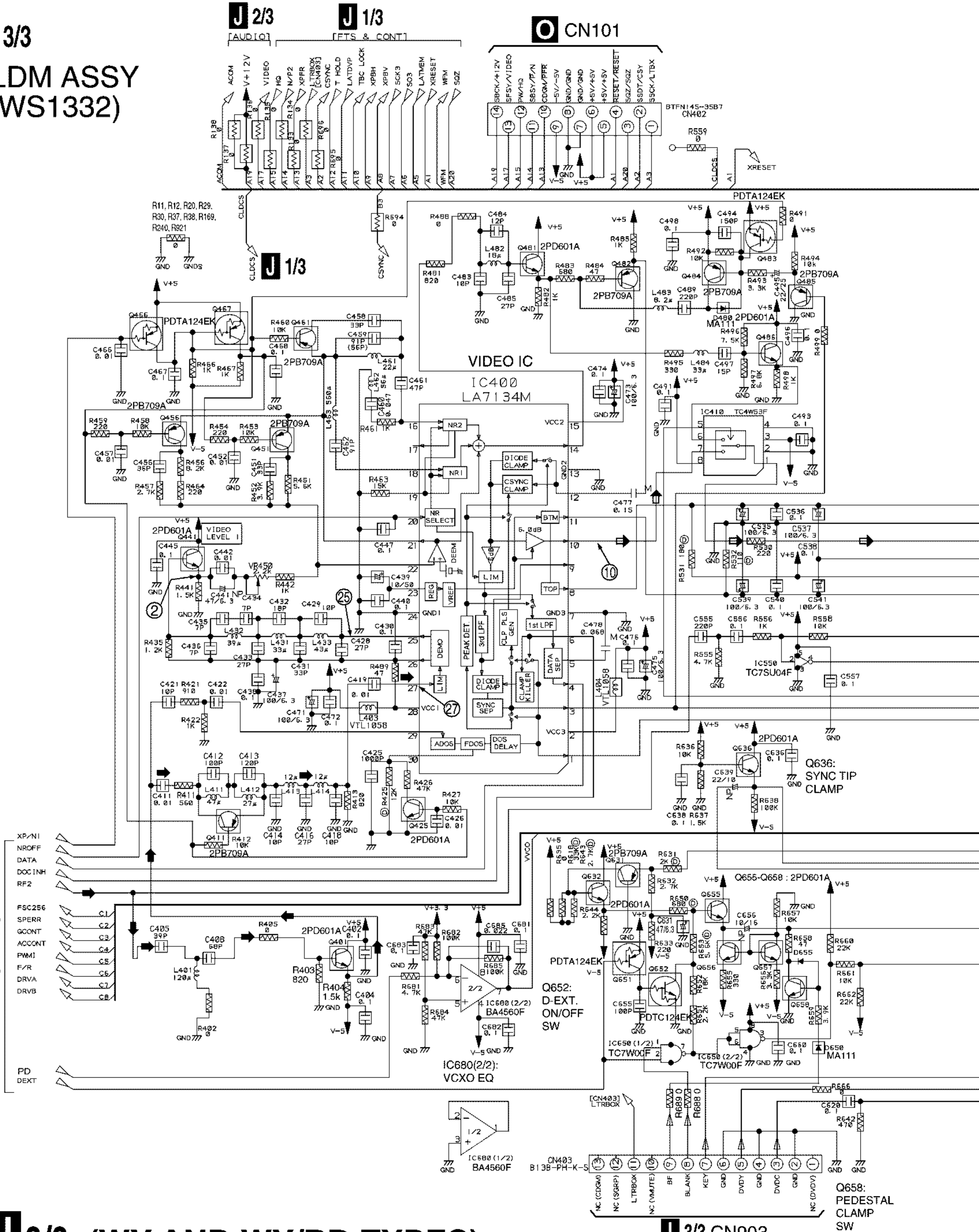
A

J 3/3 CLDM ASSY (VWS1332)

B

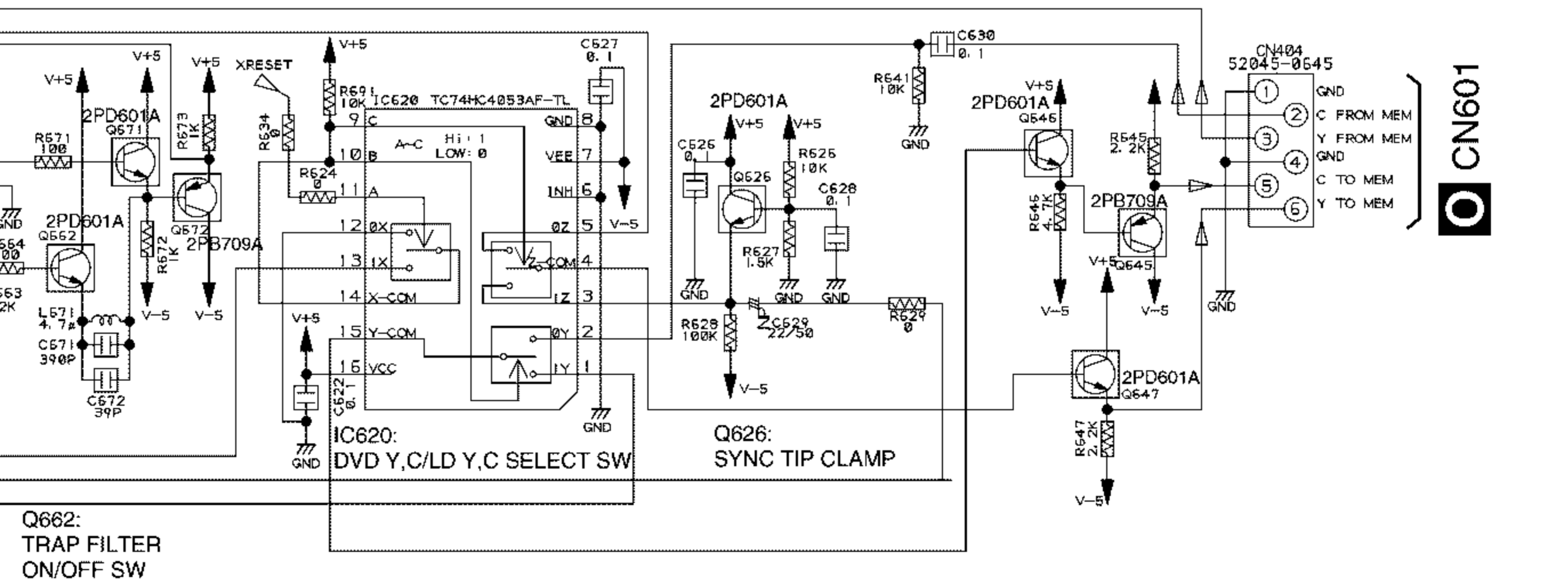
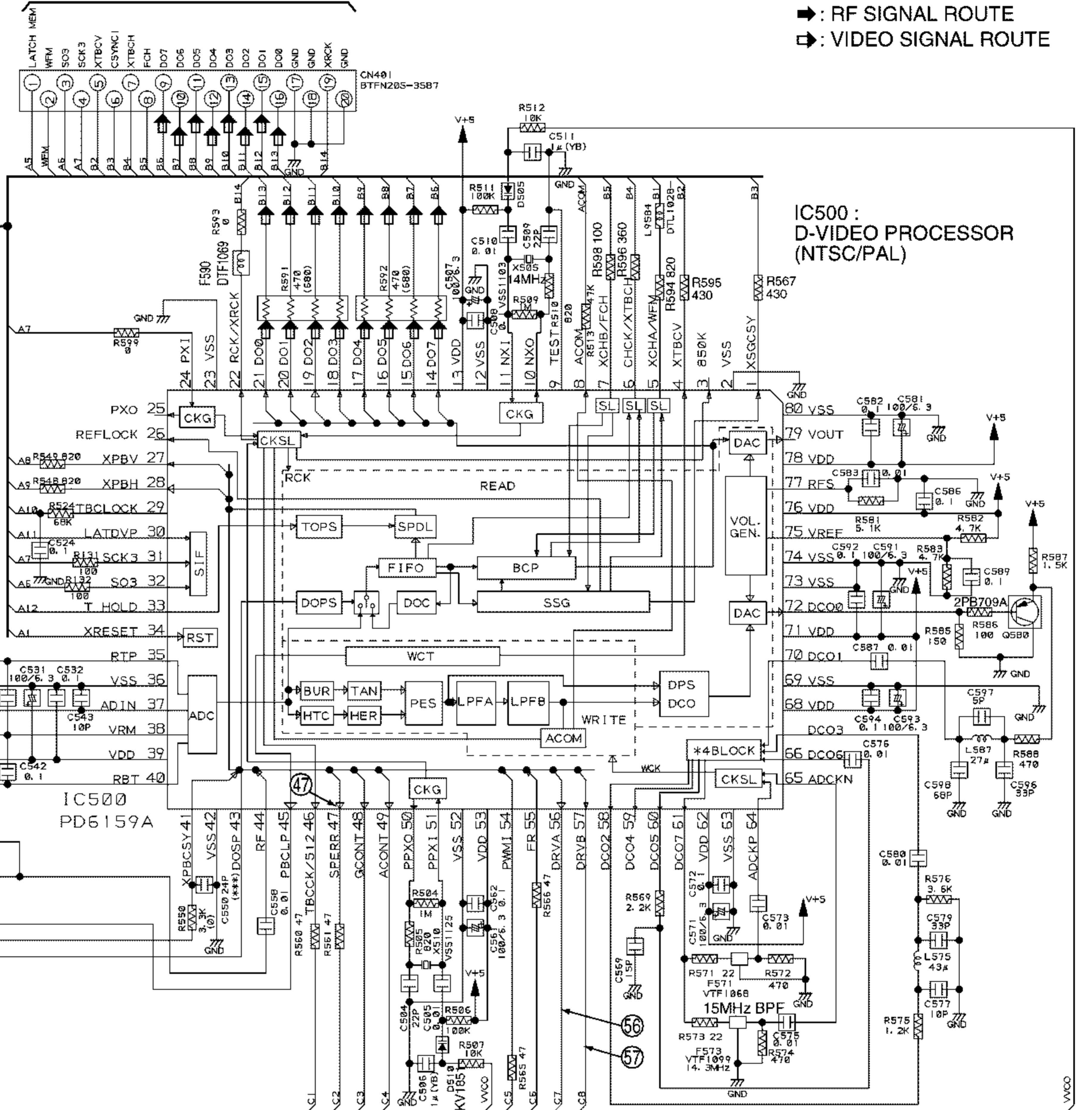
C

D



○ CN102

➡: RF SIGNAL ROUTE
⇨: VIDEO SIGNAL ROUTE

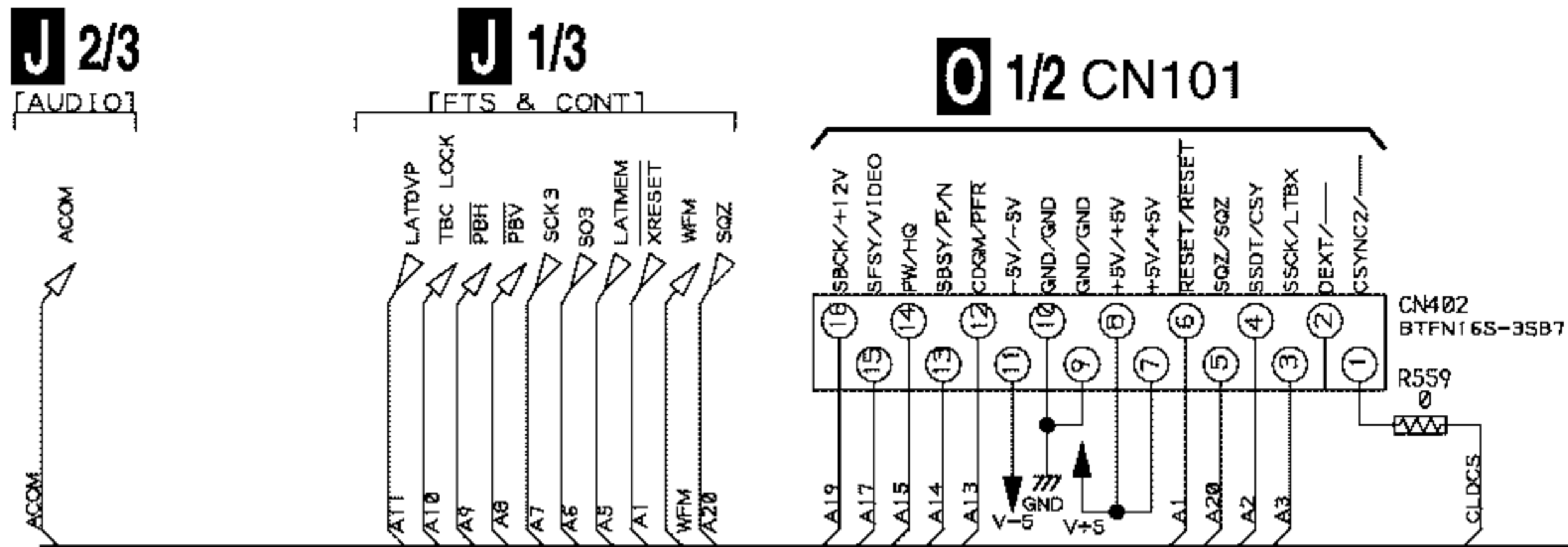


Q662: TRAP FILTER ON/OFF SW

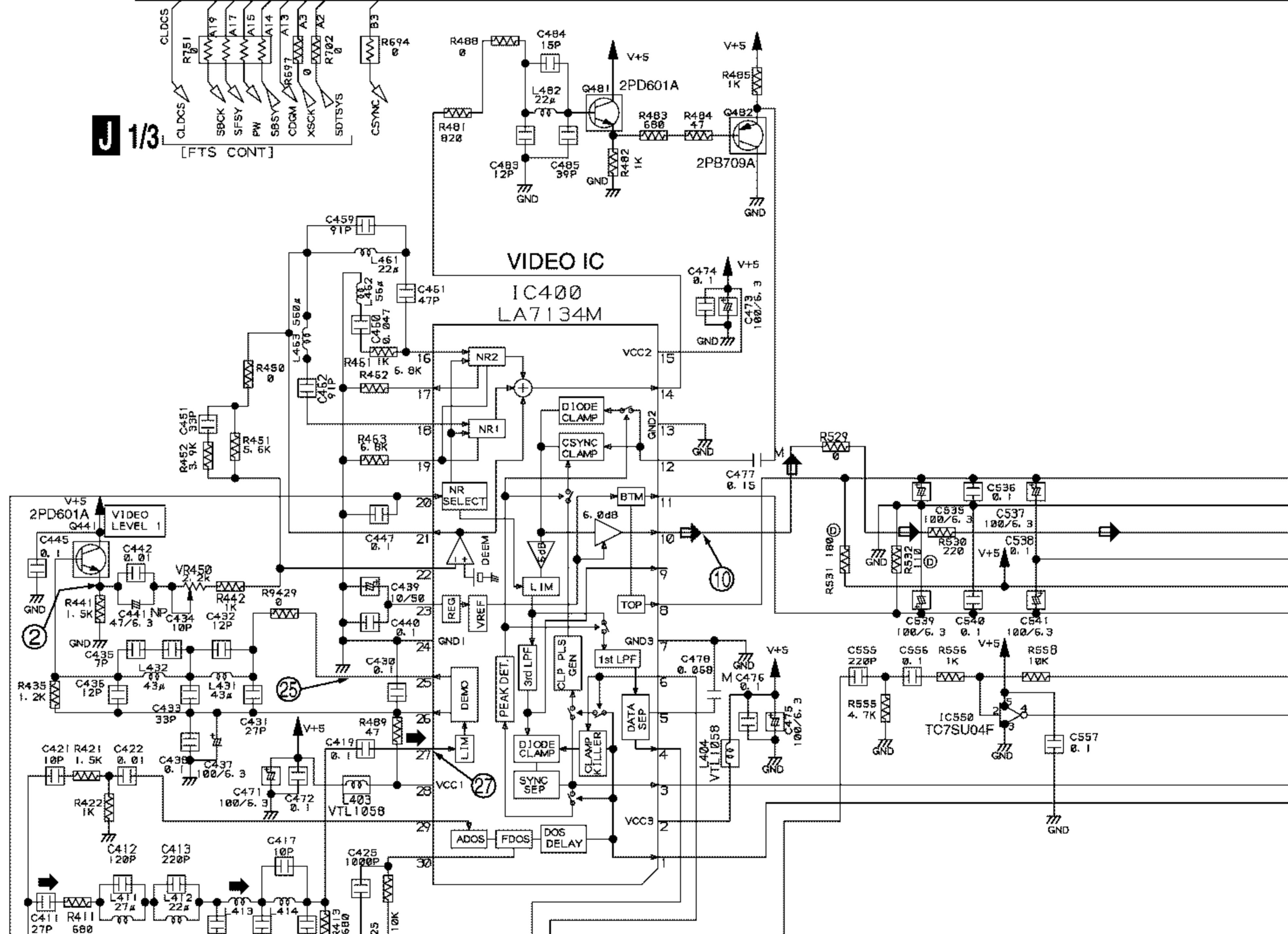
3.8 CLDM ASSY (3/3)(FOR RL, RAM, RD/RA AND RD/RC TYPES)

J 3/3
CLDM ASSY
(VWS1331)

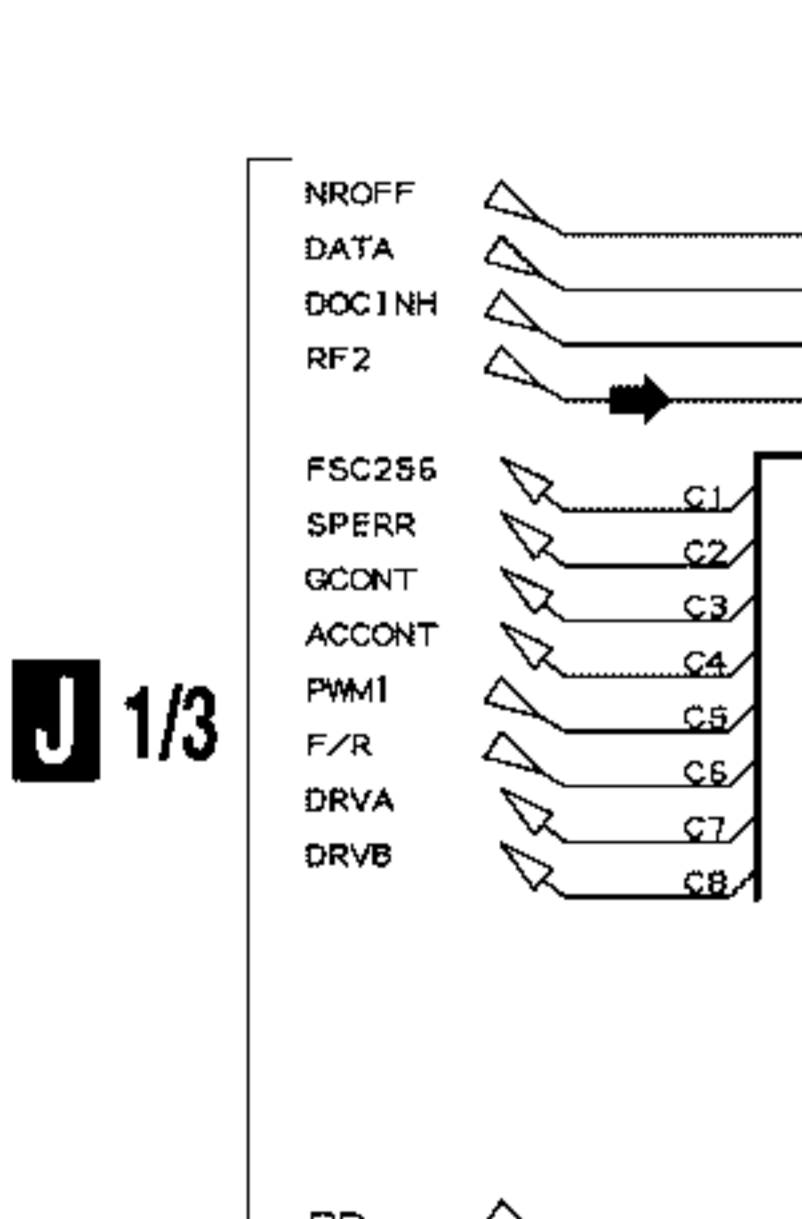
A



B



C

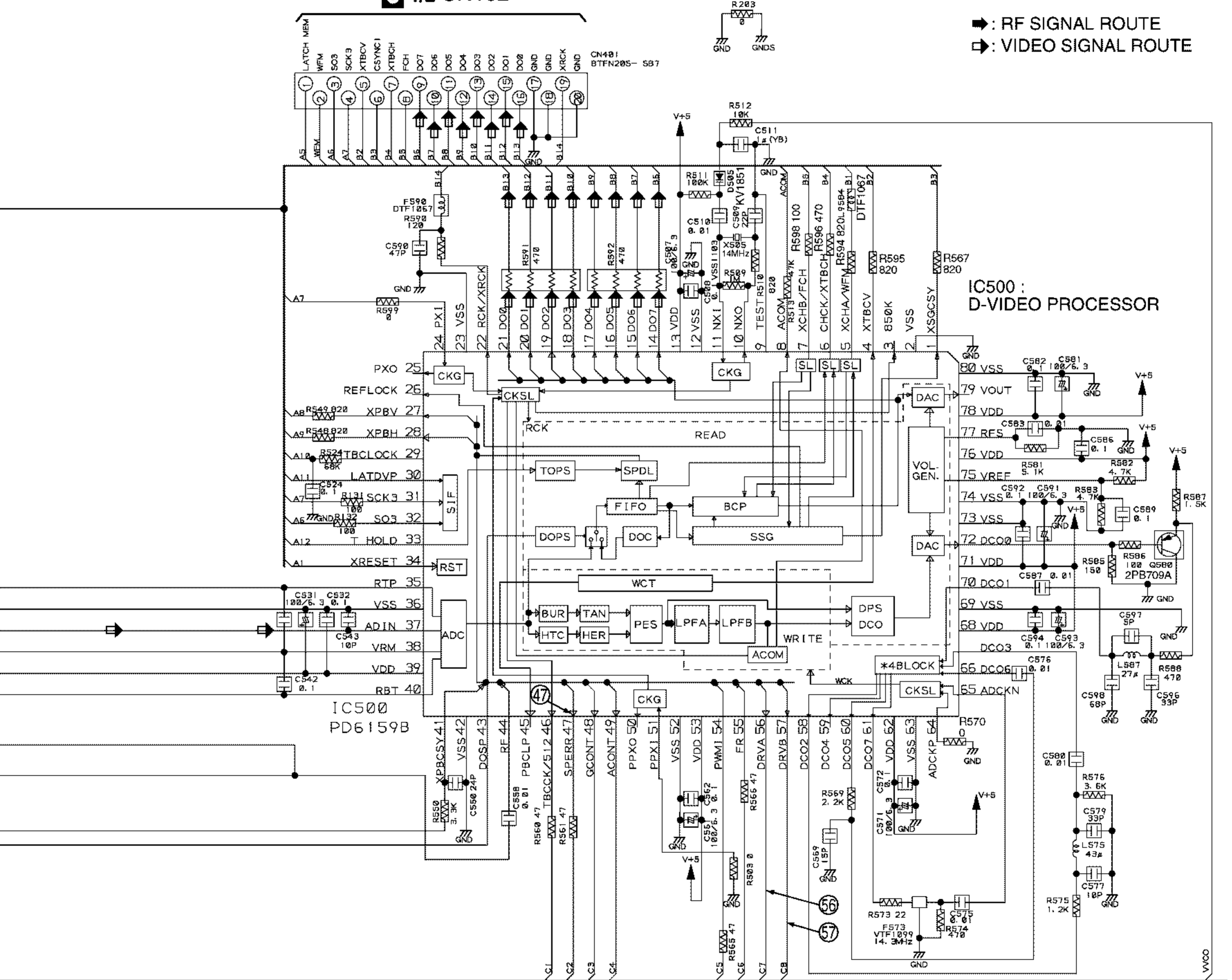


D

30 **J 3/3 (RL, RAM, RD/RA AND RD/RC TYPES)**

1/2 CN102

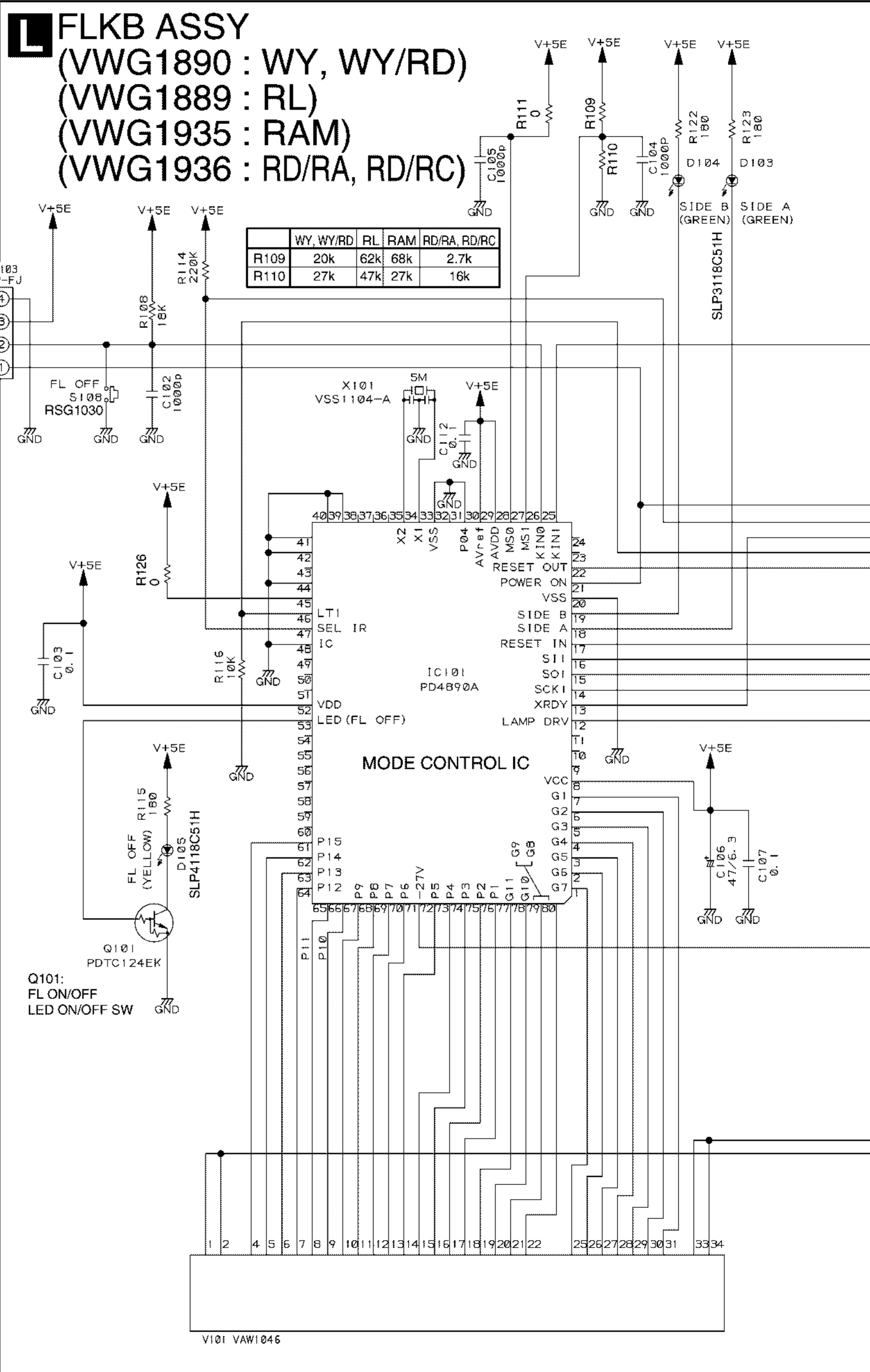
➔ : RF SIGNAL ROUTE
➤ : VIDEO SIGNAL ROUTE



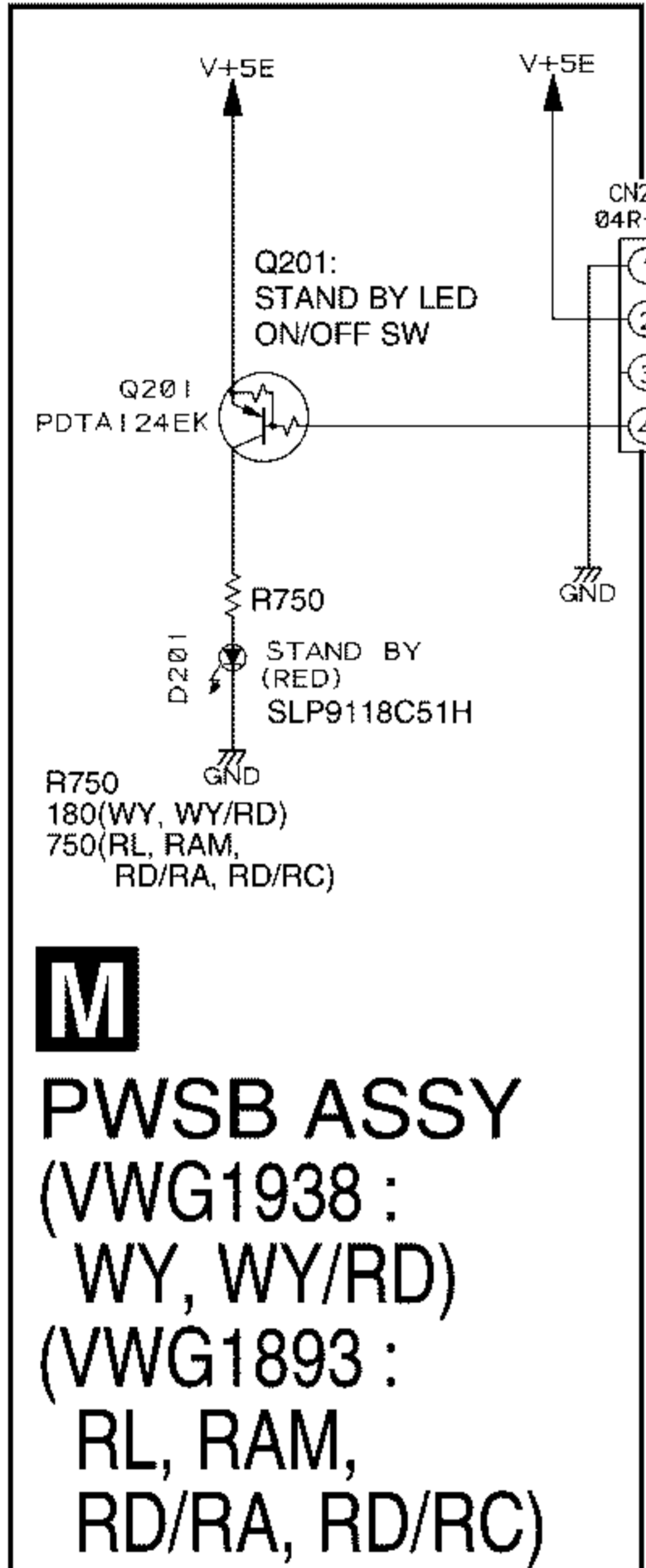
(RL, RAM, RD/RA AND RD/RC TYPES) J 3/3

3.9 FLKB, PWSB AND DILB ASSEMBLIES

A



B



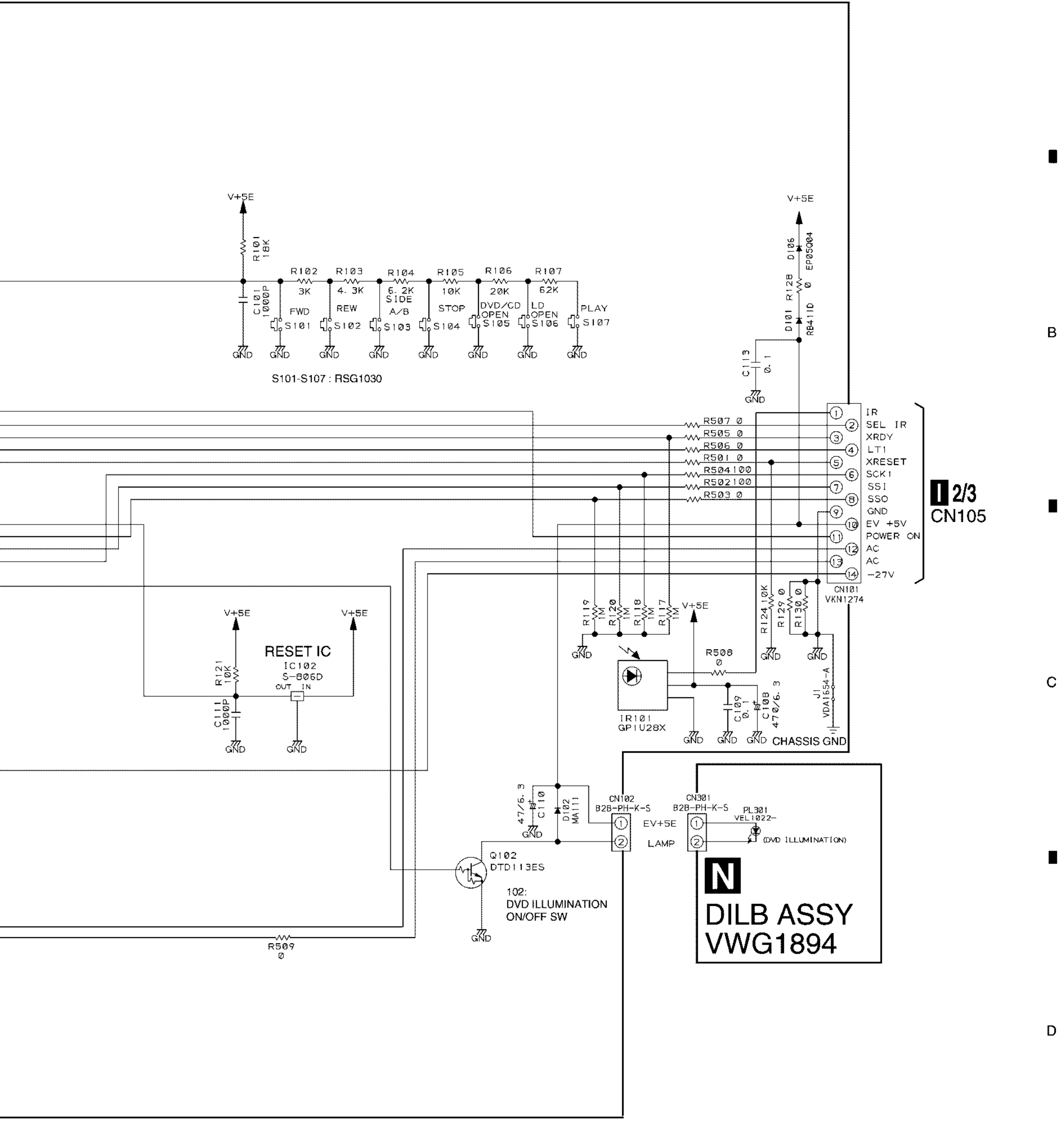
M
PWSB ASSY
(VWG1938 :
WY, WY/RD)
(VWG1893 :
RL, RAM,
RD/RA, RD/RC)

C

- FLKB ASSY
- S101:FWD(▶▶▶▶▶)
 - S102:REV(◀◀◀◀◀)
 - S103:DISC SIDE A/B
 - S104:STOP(■)
 - S105:DVD/CD OPEN/CLOSE(▲)
 - S106:LD OPEN/CLOSE(▲)
 - S107:PLAY/PAUSE(▶||)
 - S108:FL OFF

D





3.10 DMYC ASSY (WY AND WY/RD TYPES ONLY)

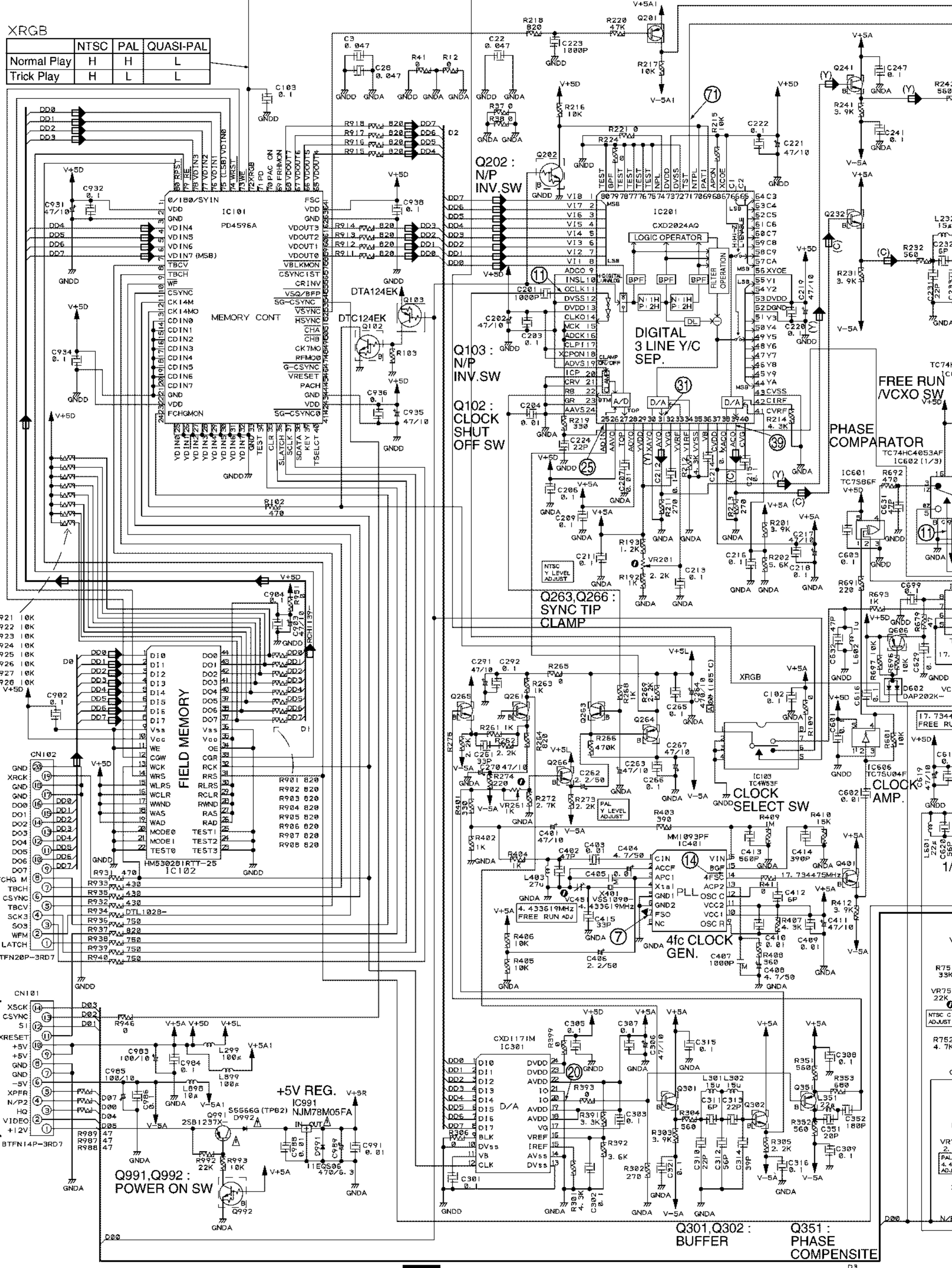
	NTSC	PAL	QUASI-PAL
Normal Play	H	H	L
Trick Play	H	L	L

A

B

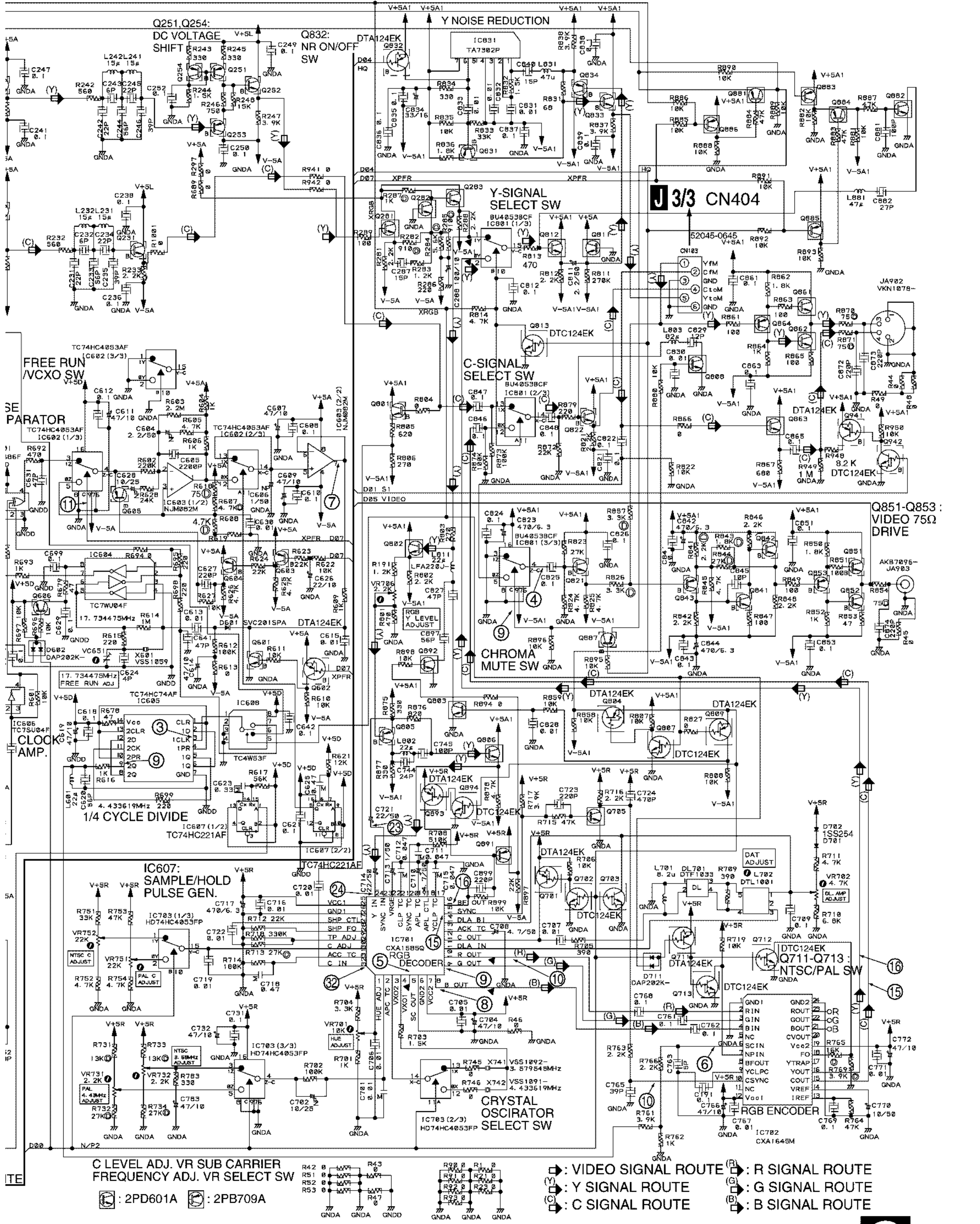
C

D



DMYC ASSY (VWV1584)

(WY AND WY/RD TYPES ONLY)

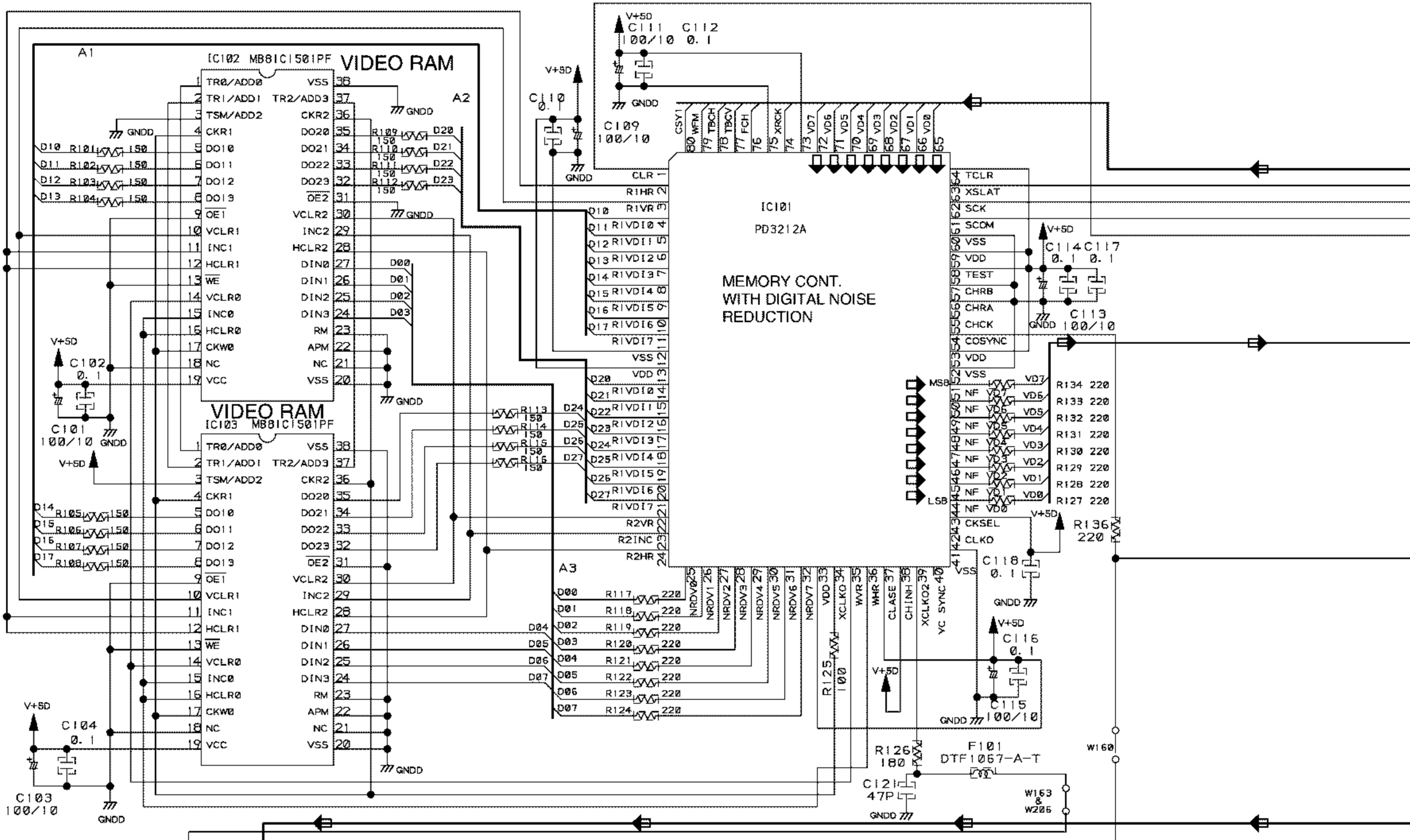


(WY AND WY/RD TYPES ONLY)

3.11 MYCB ASSY (1/2)(RL, RAM, RD/RA AND RD/RC TYPES ONLY)

P 1/2 MYCB ASSY (VWV1596)

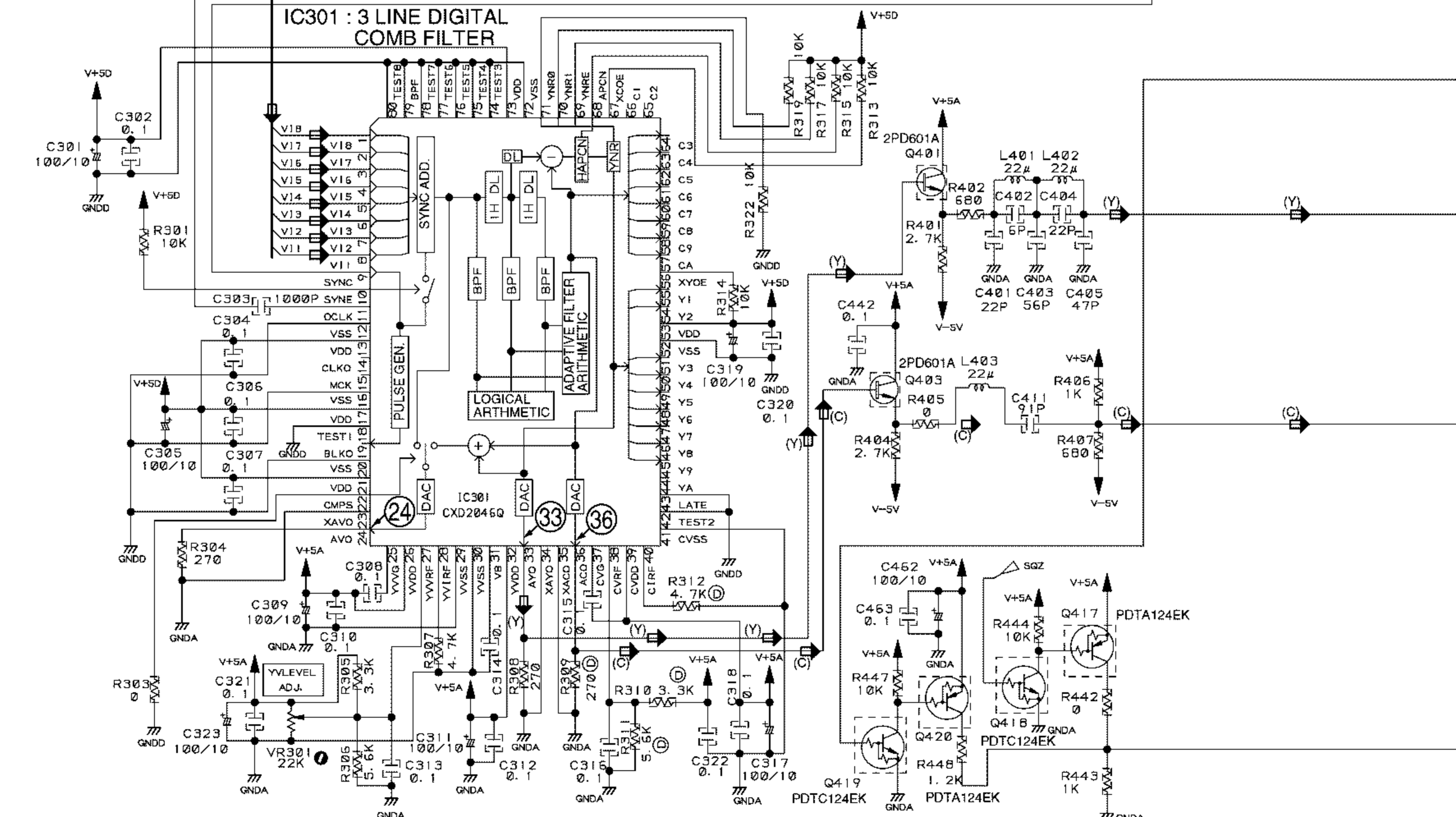
A

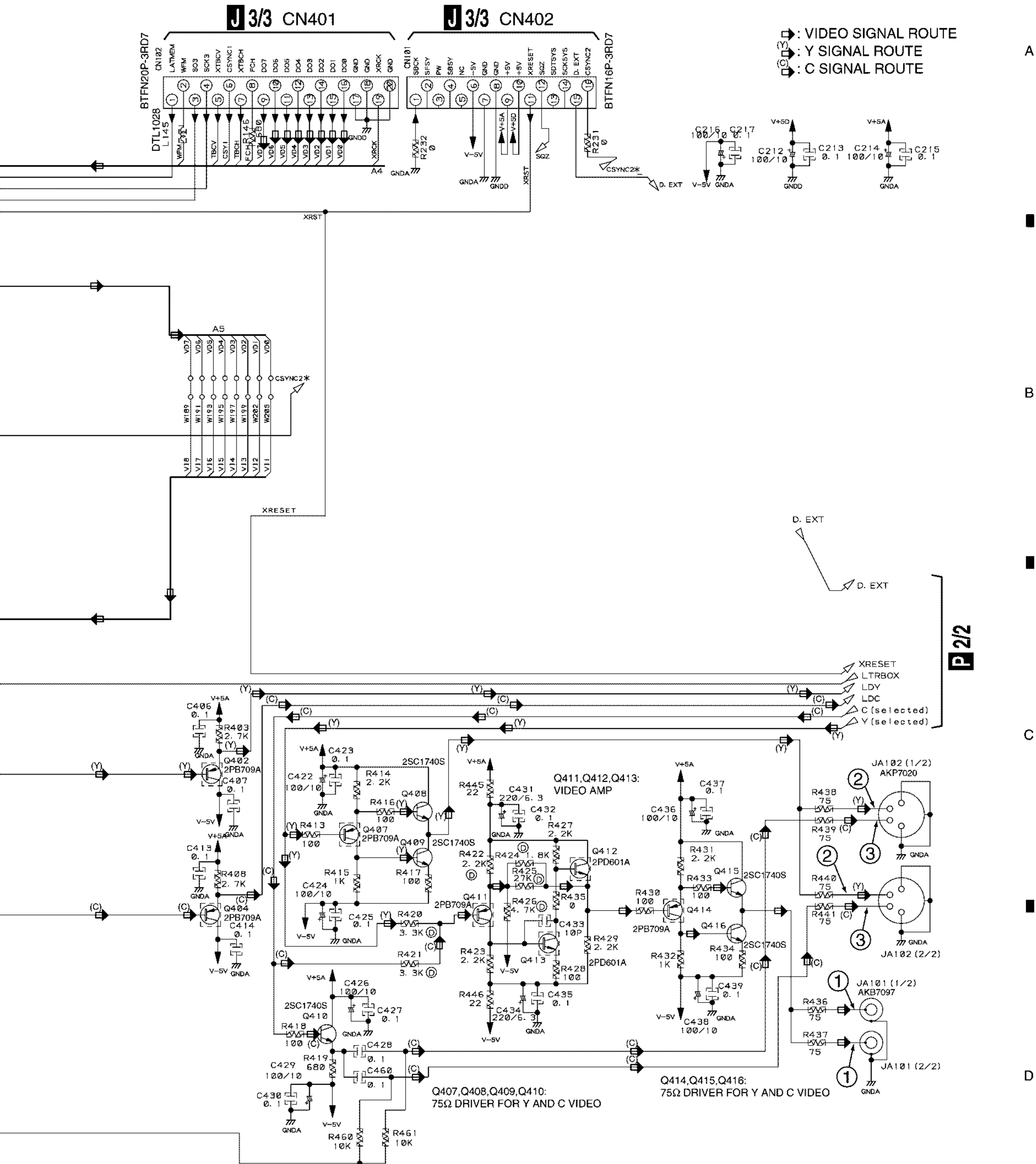


B

C

D





(RL, RAM, RD/RA AND RD/RC TYPES ONLY) **P 1/2**

3.12 MYCB ASSY (2/2)(RL, RAM, RD/RA AND RD/RC TYPES ONLY)

A

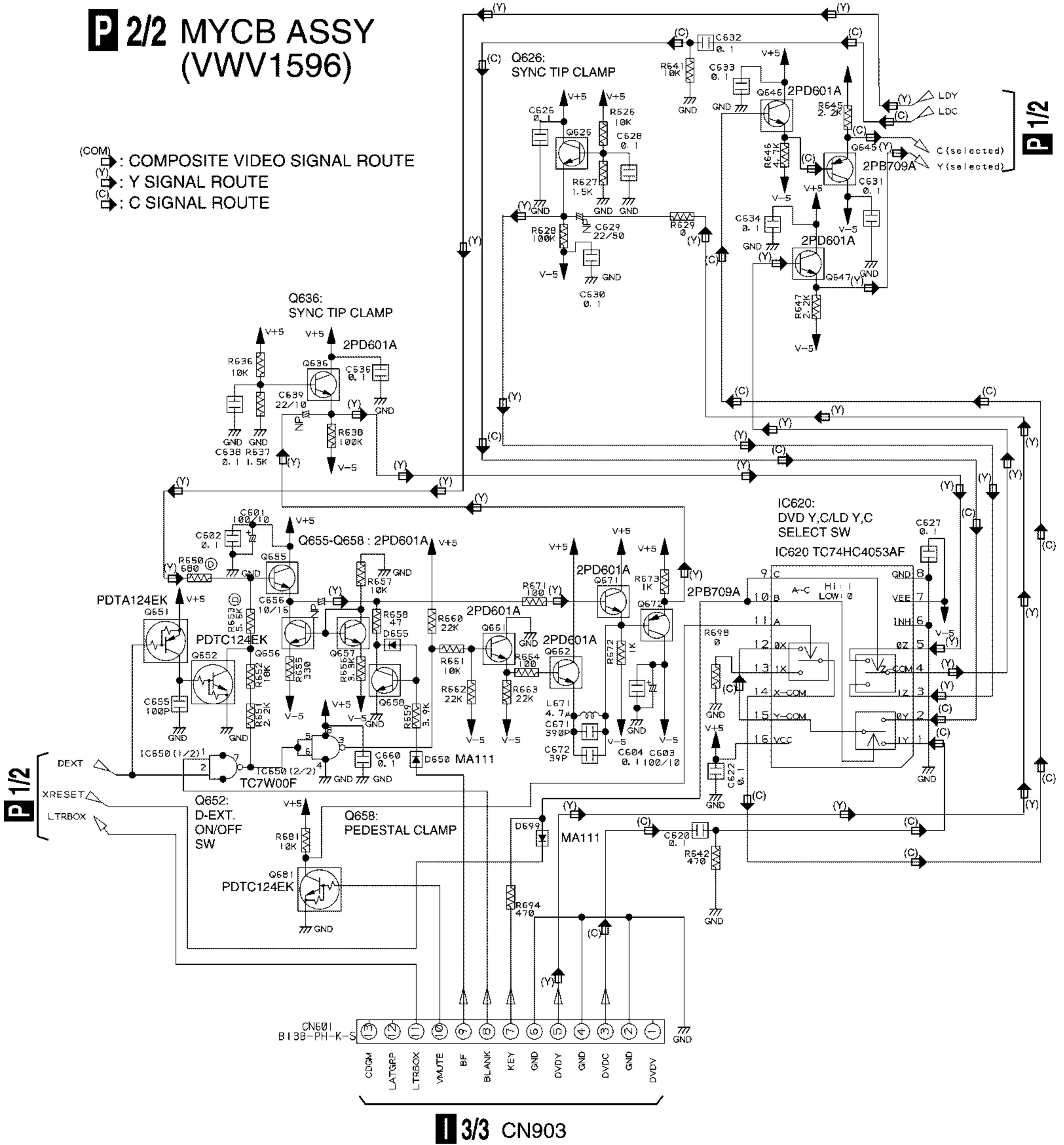
B

C

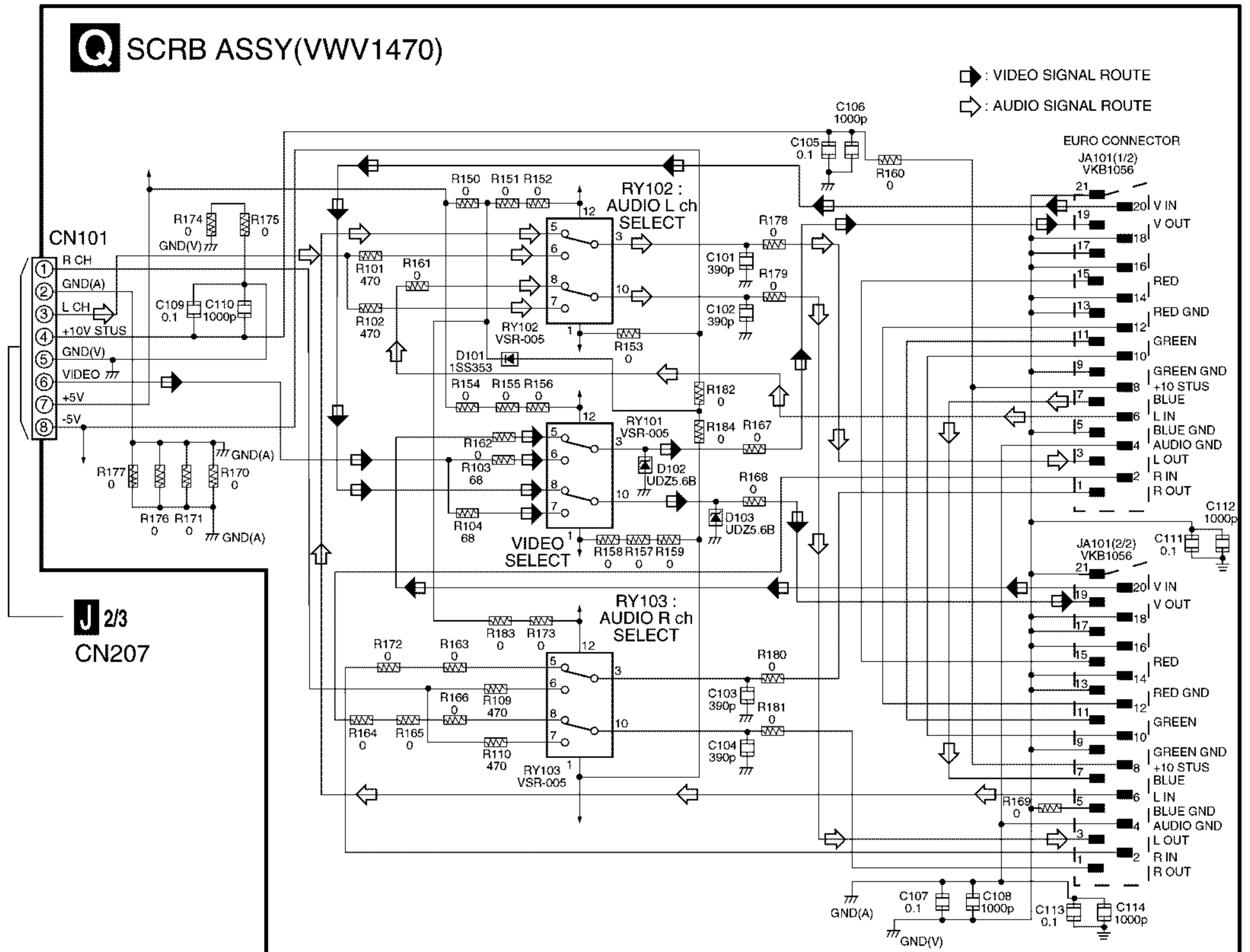
D

P 2/2 MYCB ASSY
(VWV1596)

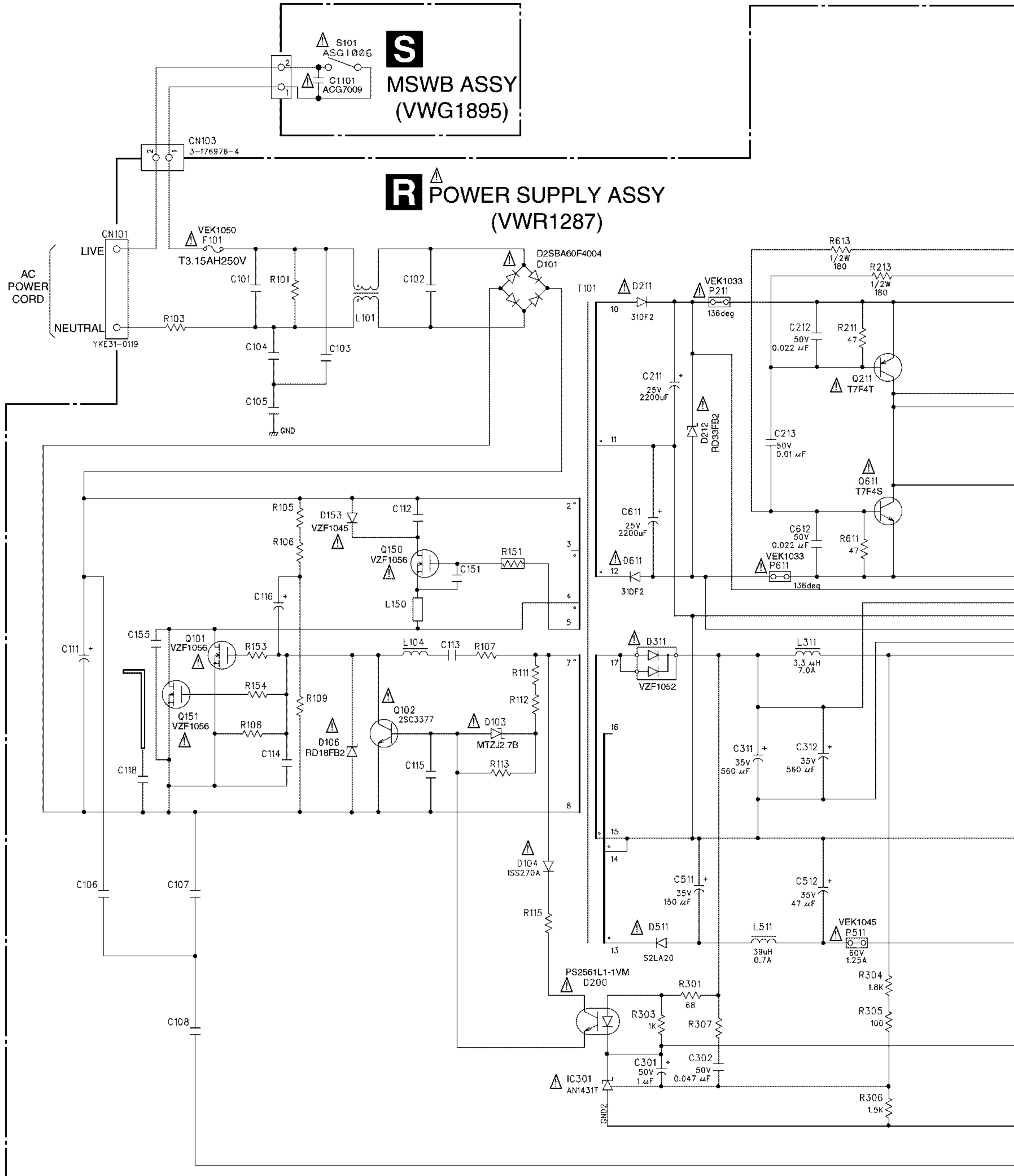
(COM) : COMPOSITE VIDEO SIGNAL ROUTE
 (Y) : Y SIGNAL ROUTE
 (C) : C SIGNAL ROUTE



3.13 SCRB ASSY (WY AND WY/RD TYPES ONLY)

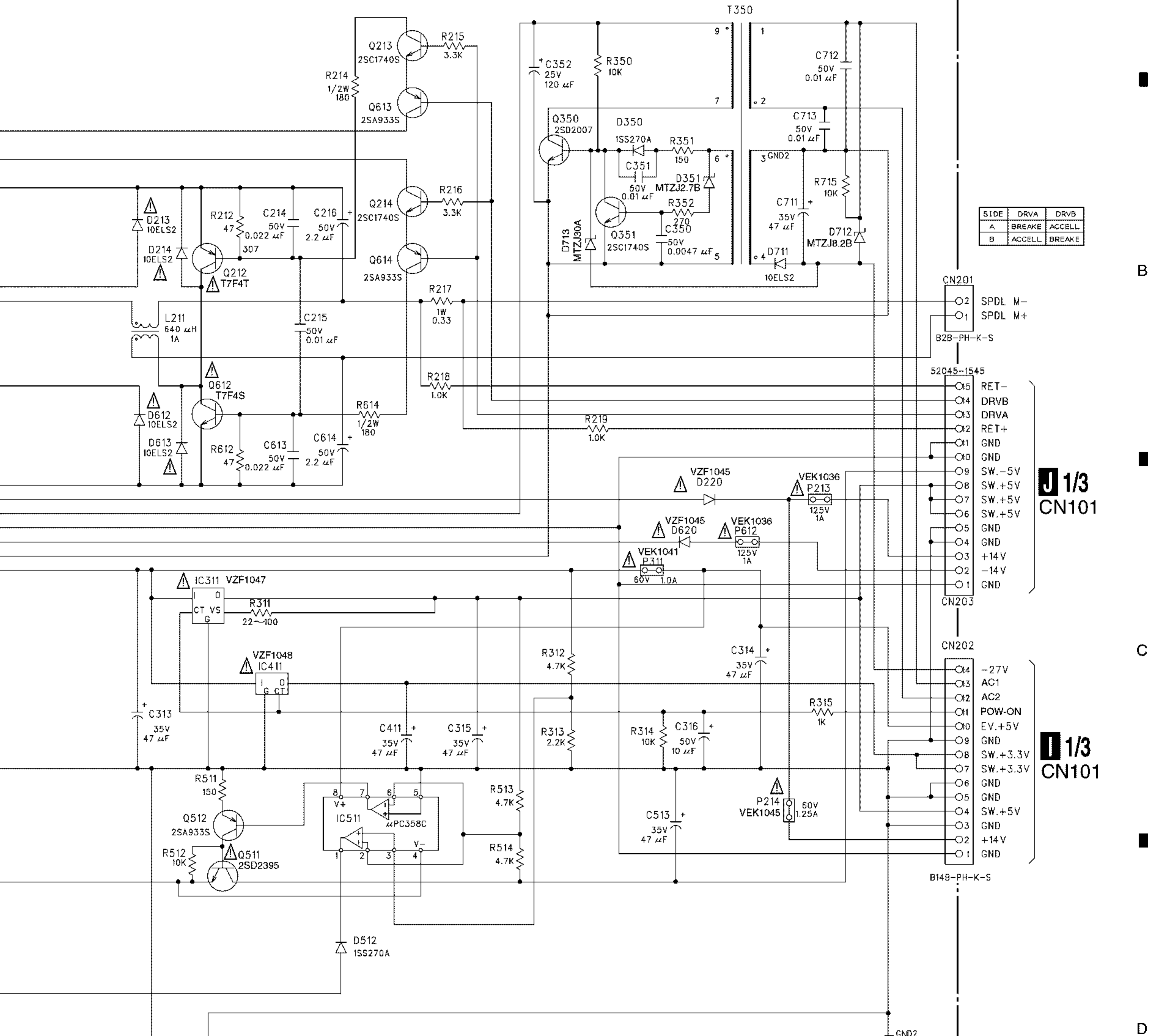


3.14 POWER SUPPLY AND MSWB ASSEMBLIES



《 NOTE OF SPARE PARTS IN POWER SUPPLY ASSY 》

- In case of repairing, use the described parts only to prevent an accident.
- Please write the red ✓ mark on the board when the primary section of POWER SUPPLY Assy is repaired.
- Please take care to keep the space, not touching other parts when replacing the parts.



SIDE	DRVA	DRVB
A	BREAKE	ACCELL
B	ACCELL	BREAKE

J 1/3
CN101

I 1/3
CN101

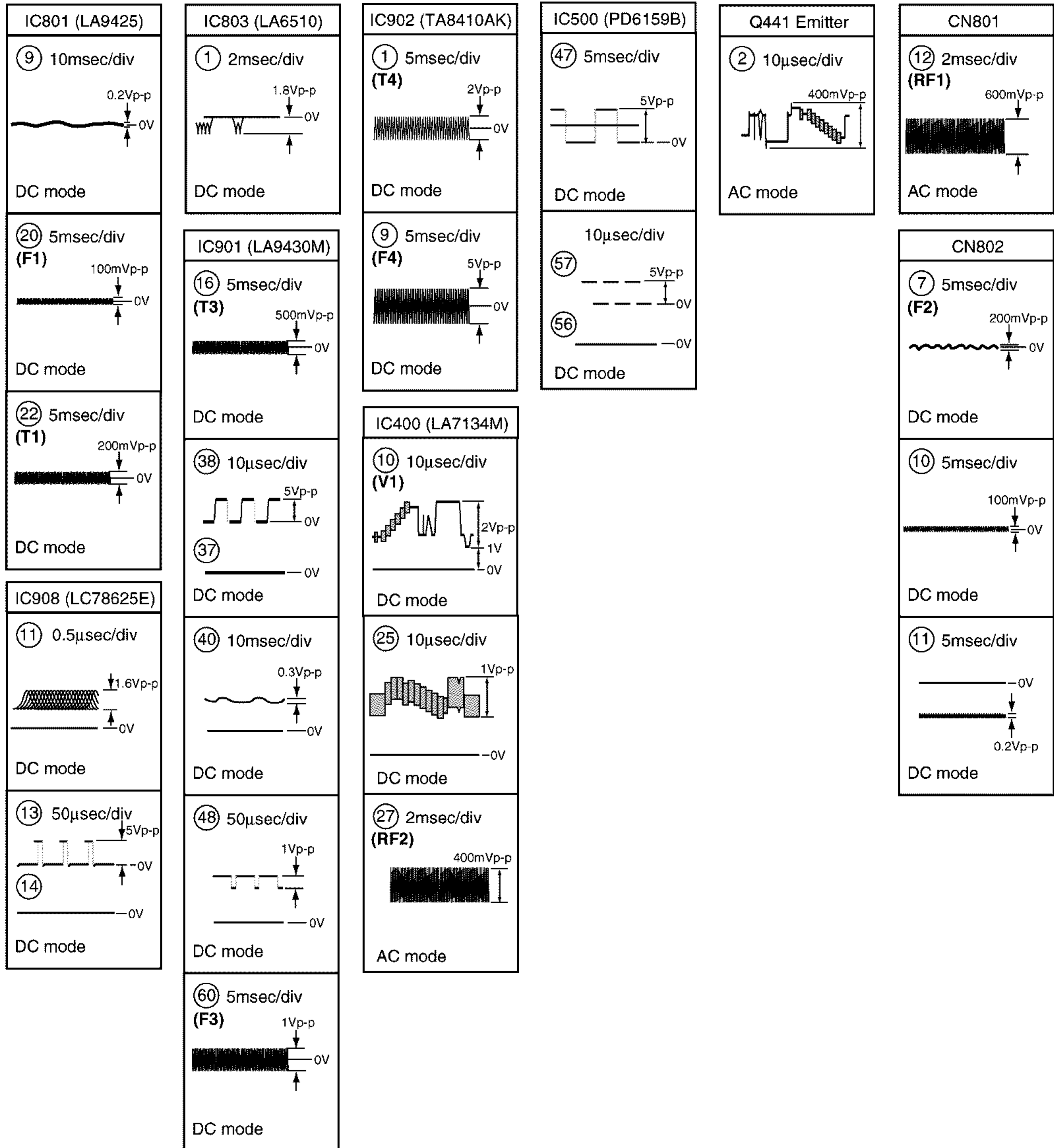
• NOTE FOR FUSE REPLACEMENT
CAUTION -FOR CONTINUED PROTECTION AGAINST RISK OF FIRE.
 REPLACE ONLY WITH SAME TYPE AND RATINGS ONLY.

● WAVEFORMS AND VOLTAGES

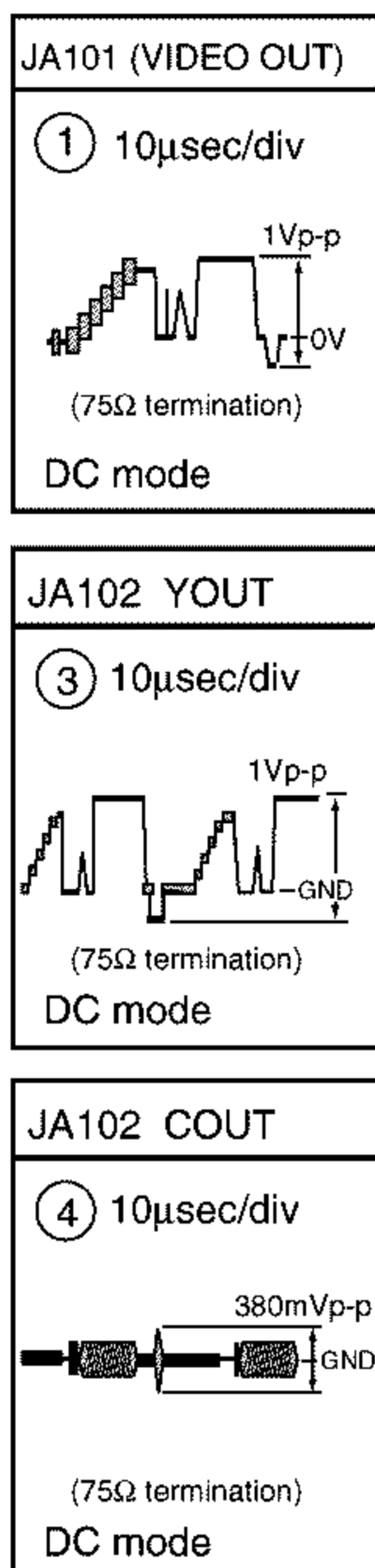
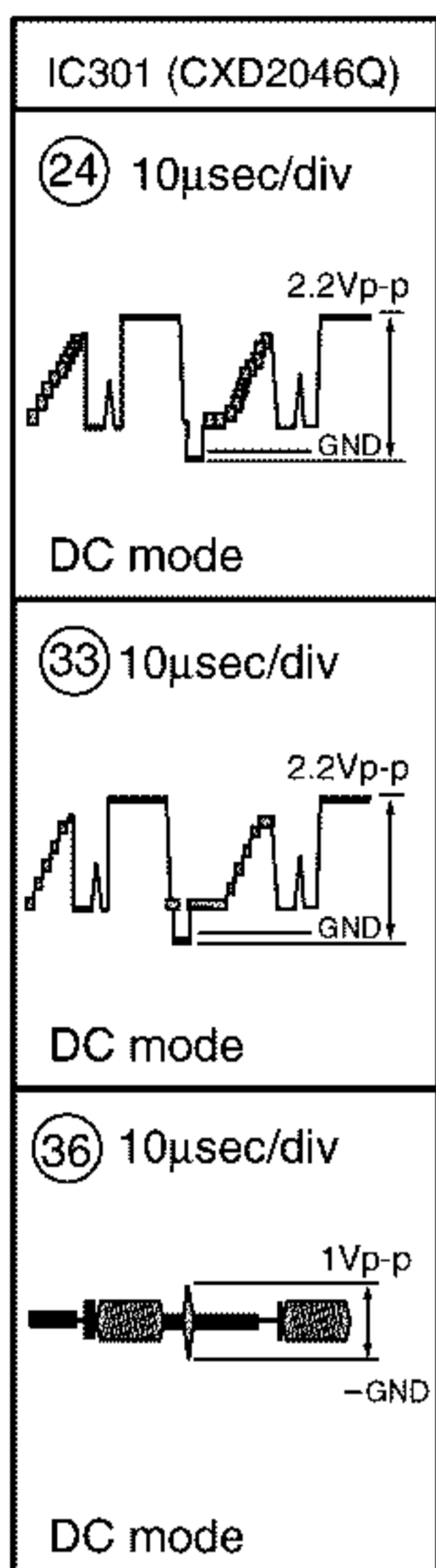
Note : (No) in the table correspond to the pin number.

Measurement condition : In case when (D.audio) is written, at time when disc that has digital audio recording is played.

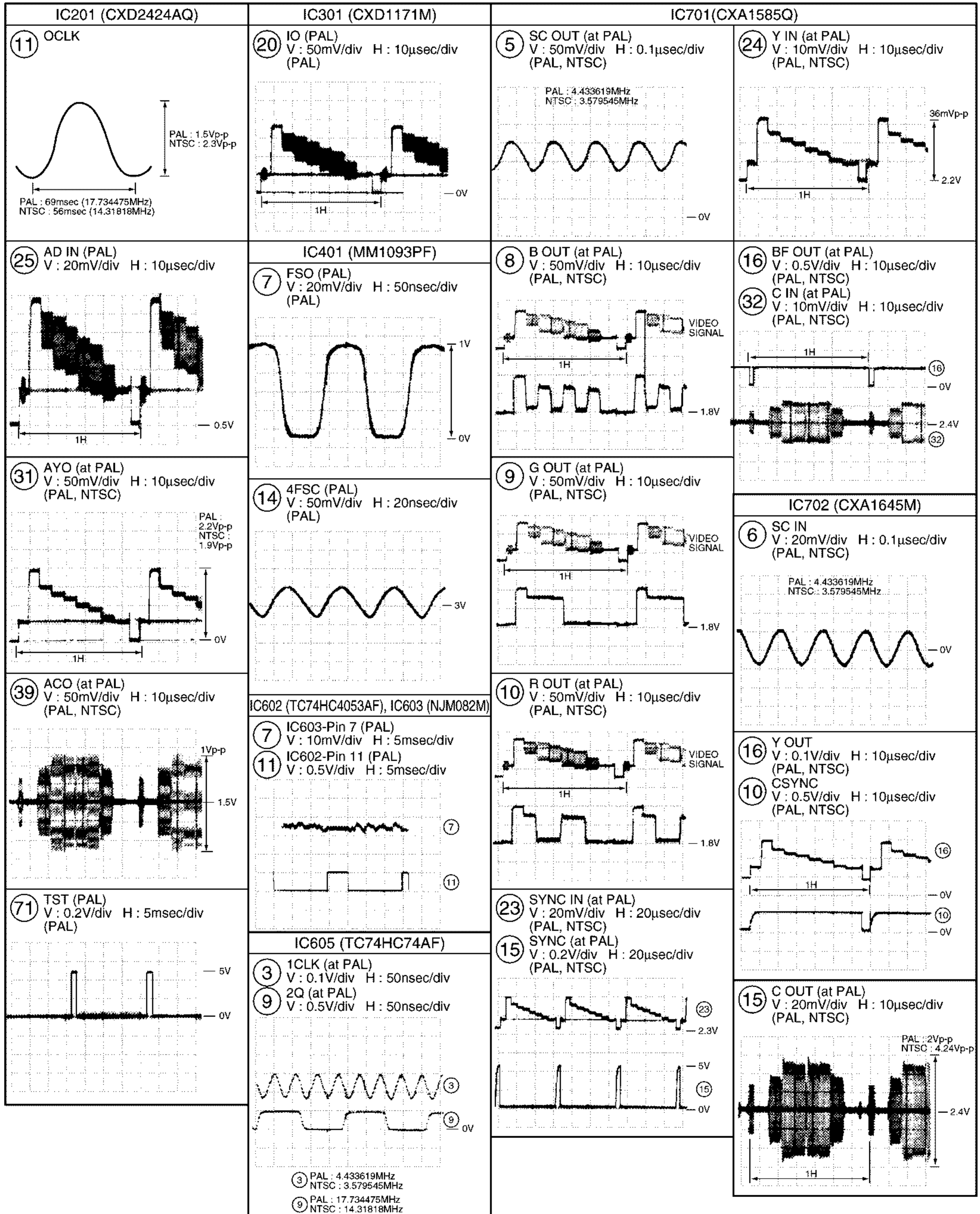
CLDM ASSY

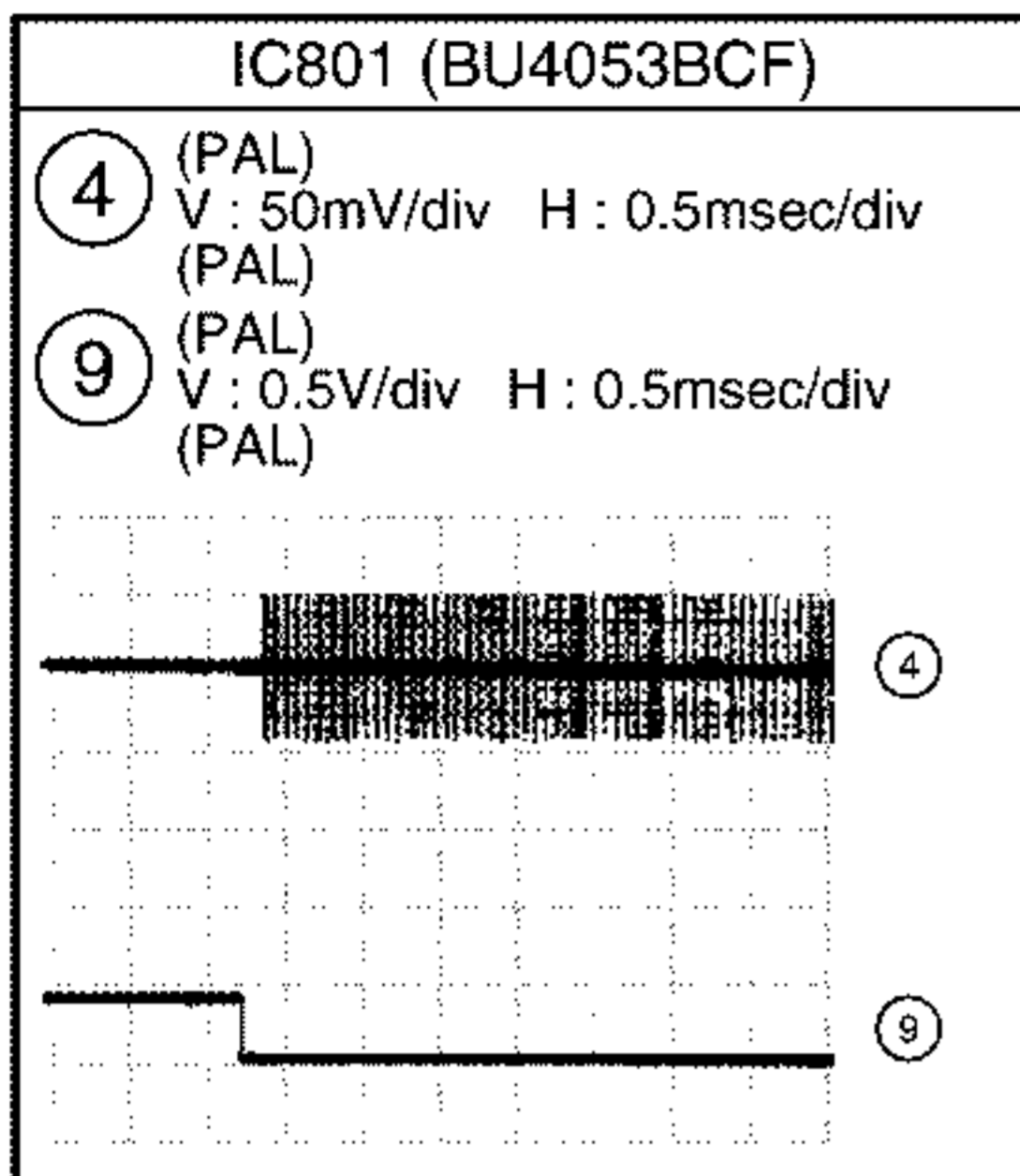


MYCB ASSY



DMYC ASSY





IC201 (CXD2024AQ)

Pin No.	Voltage (V)	Pin No.	Voltage (V)	Pin No.	Voltage (V)	Pin No.	Voltage (V)
1	0	21	0	41	2.6	61	0
2	0	22	0.5	42	2.6	62	0
3	0	23	0	43	0	63	0
4	0	24	0	44	0	64	0
5	0	25	-	45	0	65	0
6	0	26	5	46	0	66	0
7	0	27	2.6	47	0	67	5
8	0	28	5	48	0	68	5
9	0	29	5	49	0	69	-
10	0	30	0	50	0	70	-
11	2.3	31	-	51	0	71	-
12	0	32	3.4	52	0	72	0
13	5	33	2.6	53	5	73	5
14	2.4	34	2.6	54	0	74	0
15	2.4	35	0	55	0	75	0
16	2.5	36	1.1	56	5	76	0
17	5	37	5	57	0	77	0
18	5	38	0	58	0	78	0
19	0	39	1.3	59	0	79	0
20	0	40	3.4	60	0	80	0

IC301 (CXD1171M)

Pin No.	Voltage (V)	Pin No.	Voltage (V)
1	-	13	0
2	-	14	0
3	-	15	2.1
4	-	16	2.1
5	-	17	2.5
6	-	18	4
7	-	19	4
8	-	20	-
9	0	21	0
10	0	22	4
11	0.5	23	5
12	2.4	24	5

IC401 (MM1093PF)

Pin No.	Voltage (V)	Pin No.	Voltage (V)
1	3.3	9	3.4
2	0.7	10	5
3	2.4	11	5
4	3.2	12	3.2
5	0	13	2
6	0	14	2.9
7	-	15	-
8	0	16	-

IC701 (CXA1585Q)

Pin No.	Voltage (V)	Pin No.	Voltage (V)
1	2	17	3.1
2	3.4	18	3
3	3.1	19	2.5
4	3.2	20	3.1
5	1.6	21	3.1
6	0	22	4.2
7	5	23	2.5
8	2	24	2.5
9	2	25	0
10	2	26	0
11	0(NTSC) 2.3(PAL)	27	2.5
12	3.15	28	2.1
13	3.1	29	1.23
14	0(NTSC) 2.3(PAL)	30	2.5
15	H:4 over L:0.5 under	31	2.2
16	H:4 over L:0.5 under	32	2.3

IC702 (CXA1645M)

Pin No.	Voltage (V)	Pin No.	Voltage (V)
1	0*	13	2
2	2 (Black level at CLAMP)	14	4
3		15	2.2
4	-	16	1.3 (Black level)
5		17	1.6 (Black level)
6	-	18	2
7	1.7	19	5*
8	H:3.6 L:3.2	20	1.2 (Black level)
9	2.5	21	1.7 (Black level)
10	2.2	22	
11	-	23	
12	5*	24	0*

* : External apply voltage.

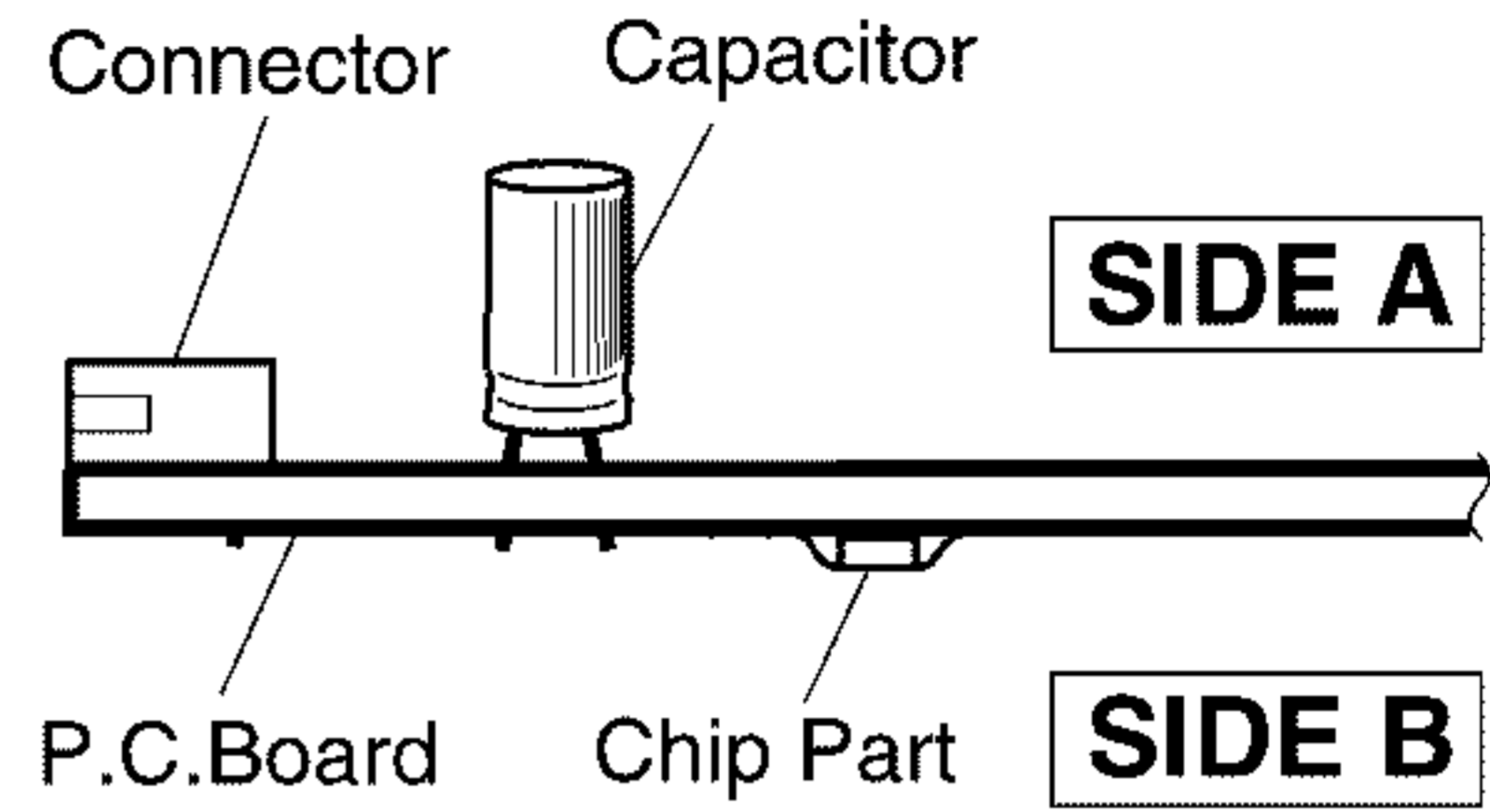
4. PCB CONNECTION DIAGRAM

NOTE FOR PCB DIAGRAMS :

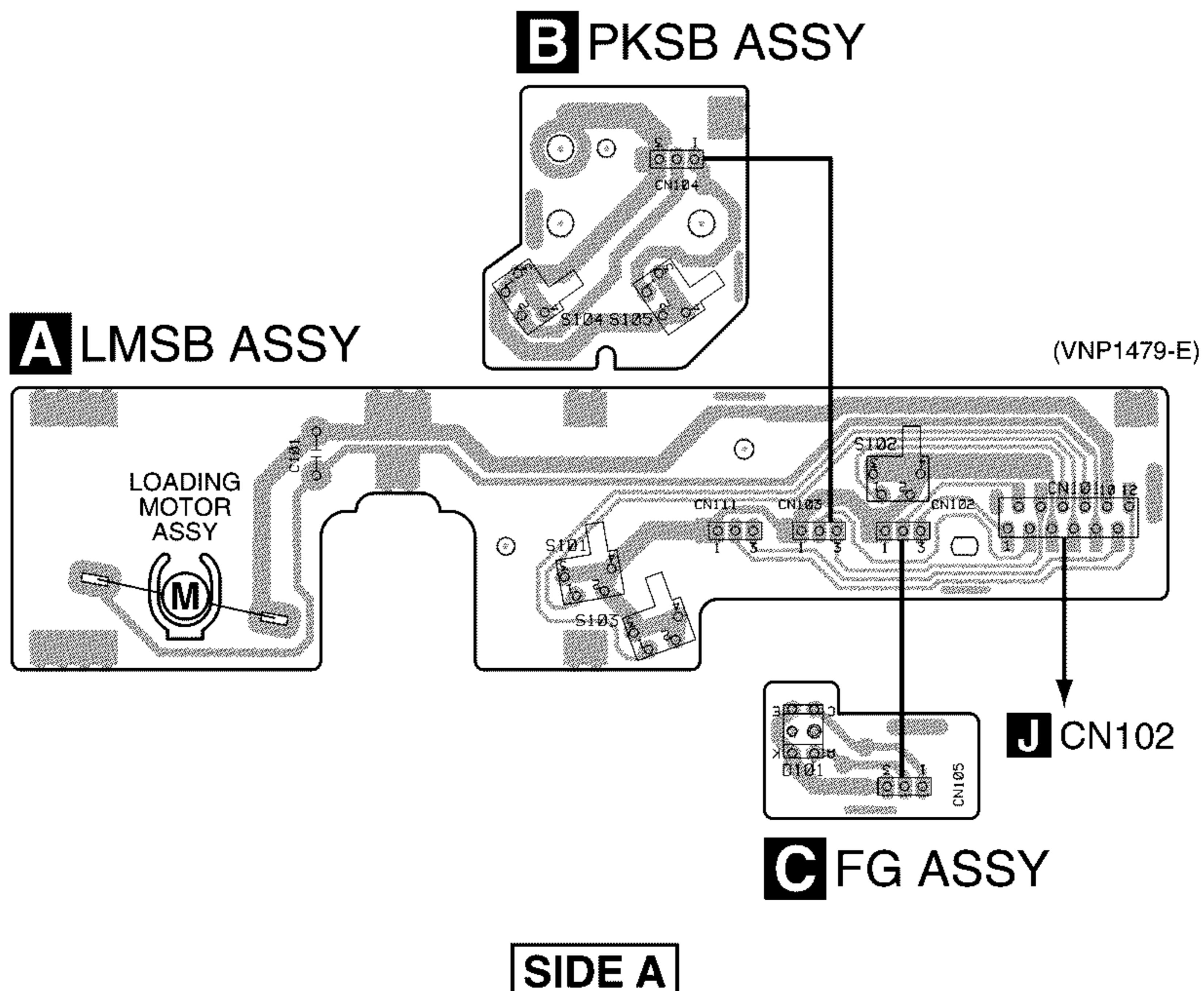
1. Part numbers in PCB diagrams match those in the schematic diagrams.
2. A comparison between the main parts of PCB and schematic diagrams is shown below.

Symbol In PCB Diagrams	Symbol In Schematic Diagrams	Part Name
		Transistor
		Transistor with resistor
		Field effect transistor
		Resistor array
		3-terminal regulator

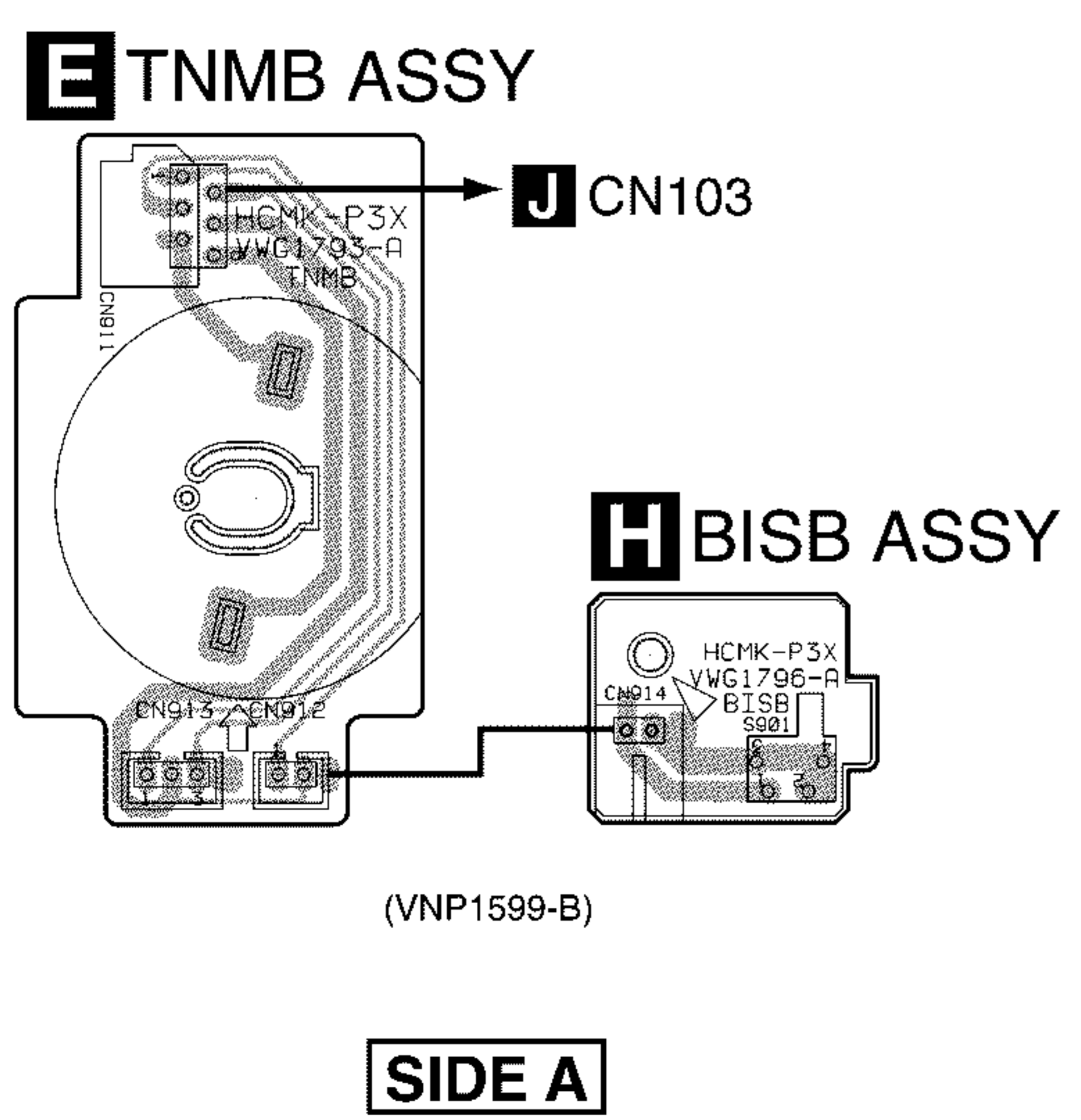
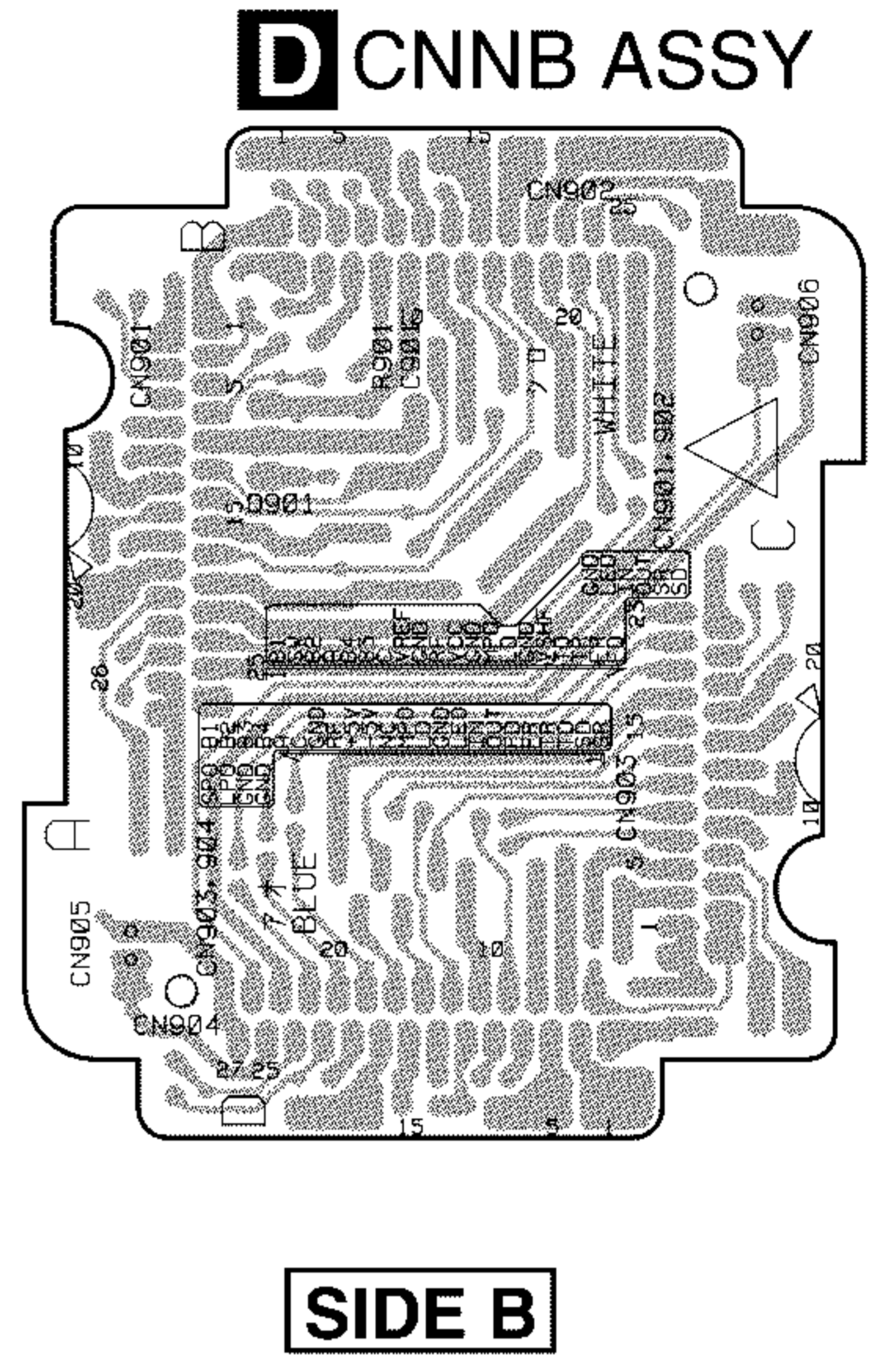
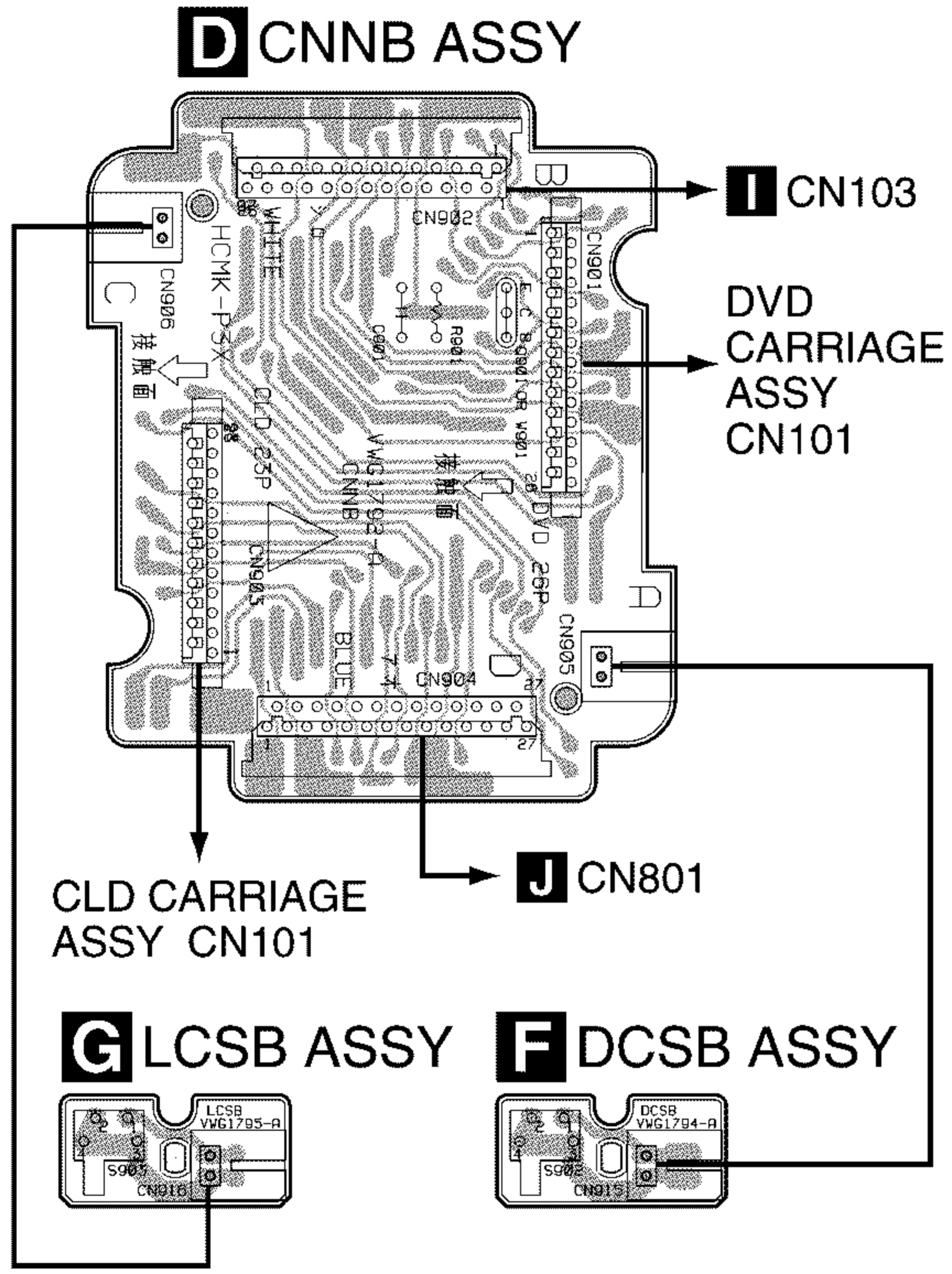
3. The parts mounted on this PCB include all necessary parts for several destinations.
- For further information for respective destinations, be sure to check with the schematic diagram.
4. View point of PCB diagrams.



4.1 LMSB, PKSB AND FG ASSEMBLIES



4.2 CNNB, TNMB, DCSB, LCSB AND BISB ASSEMBLIES



(VNP1599-B)

SIDE A

4.3 DVDM ASSY

•This PCB is a four-layered board.
Middle layer is mainly connected to Vcc and GND.

L CN101 **R** CN202 **I** DVDM ASSY

A

B

C

D

IC601
IC501
Q401
Q403

IC506
IC401
VC301

IC302
IC303

Q301

IC701

IC203

IC202

IC807 IC806
Q291
IC204

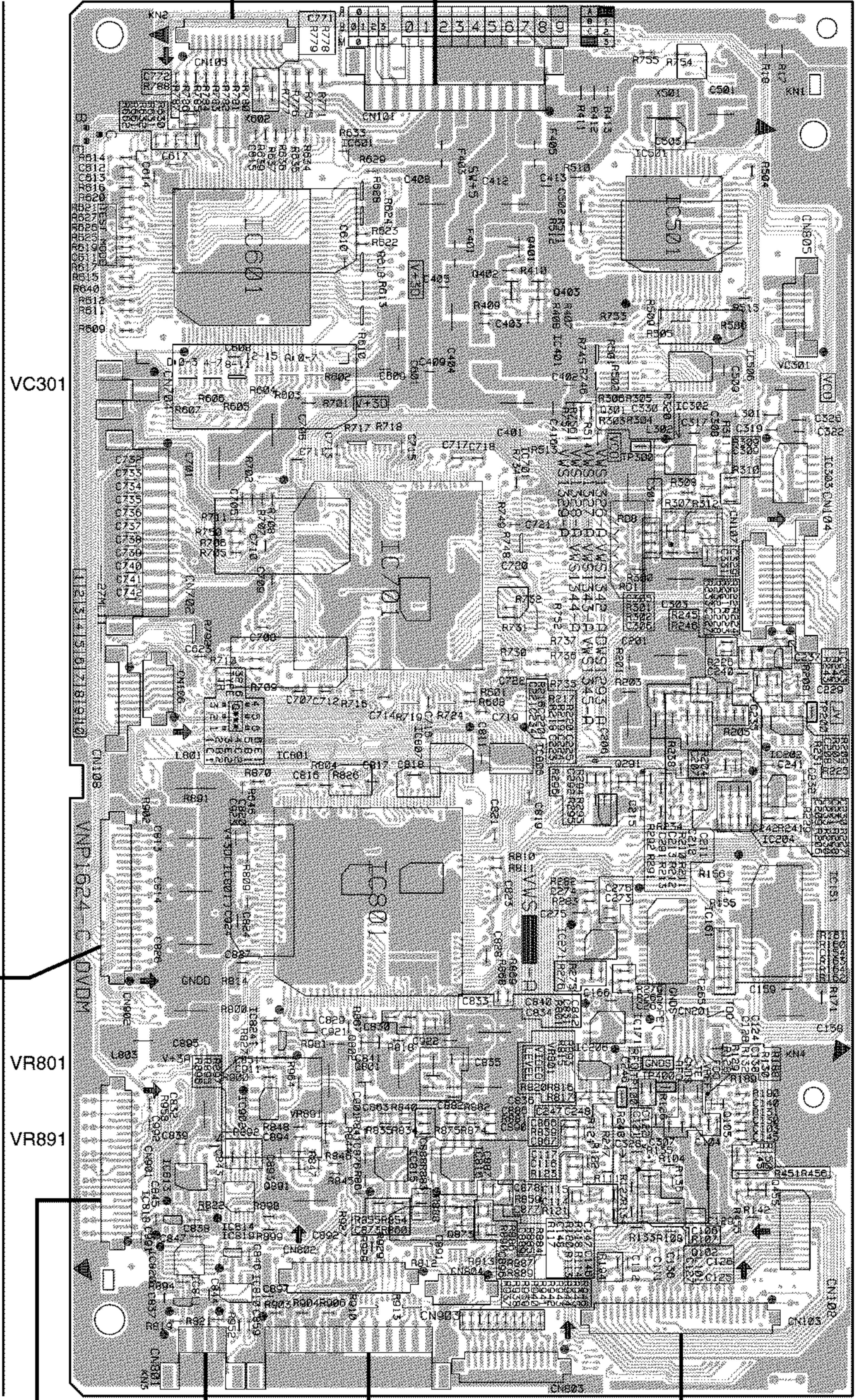
IC801 IC151
IC161
IC271

J CN111

IC171
IC824
Q802 IC206
Q801 Q105
IC902

IC815 IC816
Q891 Q455
IC813 Q102
IC814 Q873

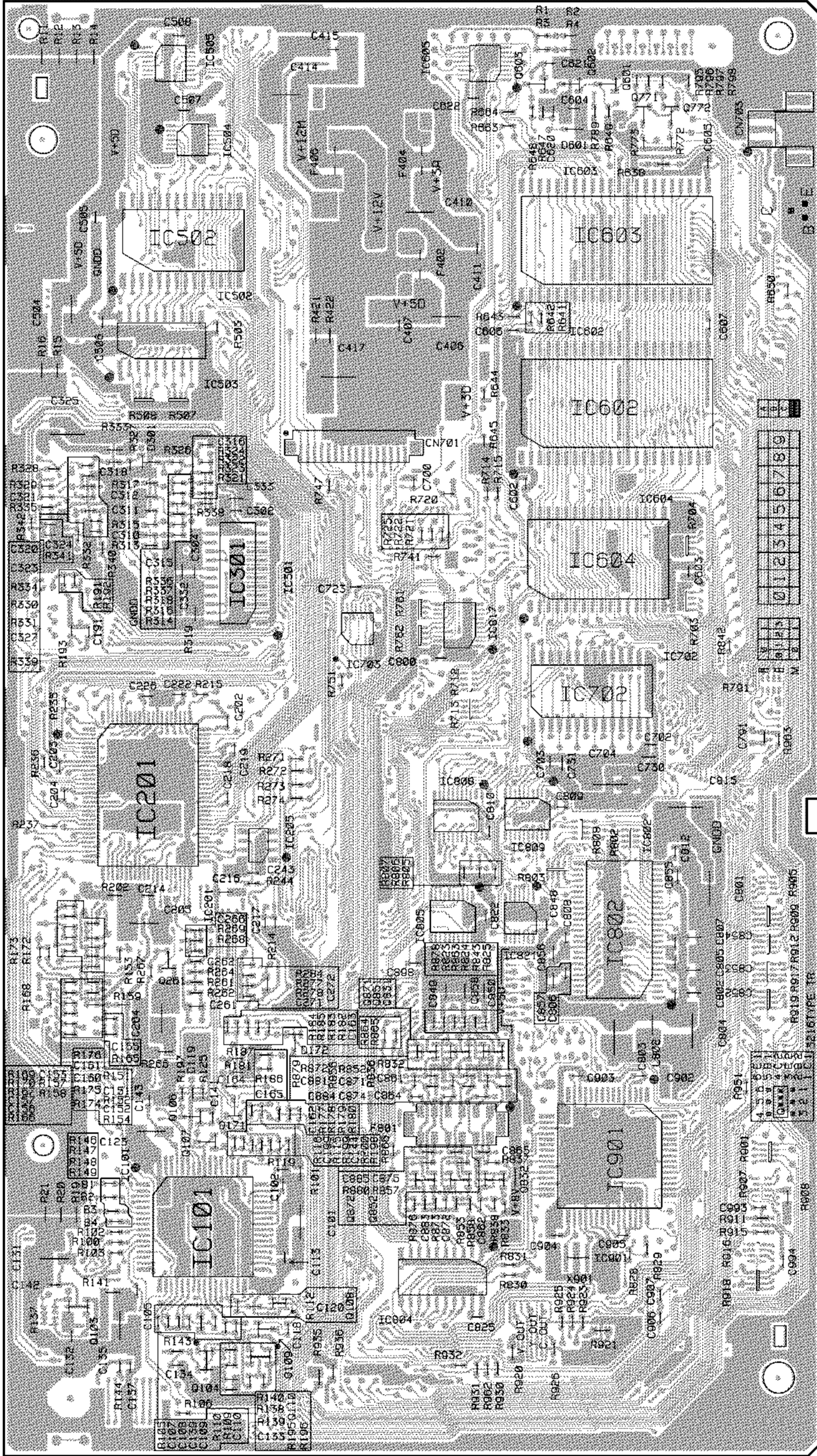
IC820
IC810
IC811



J CN122 **J** CN201 **J** CN403 (WY, WY/RD) **D** CN902
P CN601
(RL, RAM, RD/RA, RD/RC)

SIDE A

DVDM ASSY



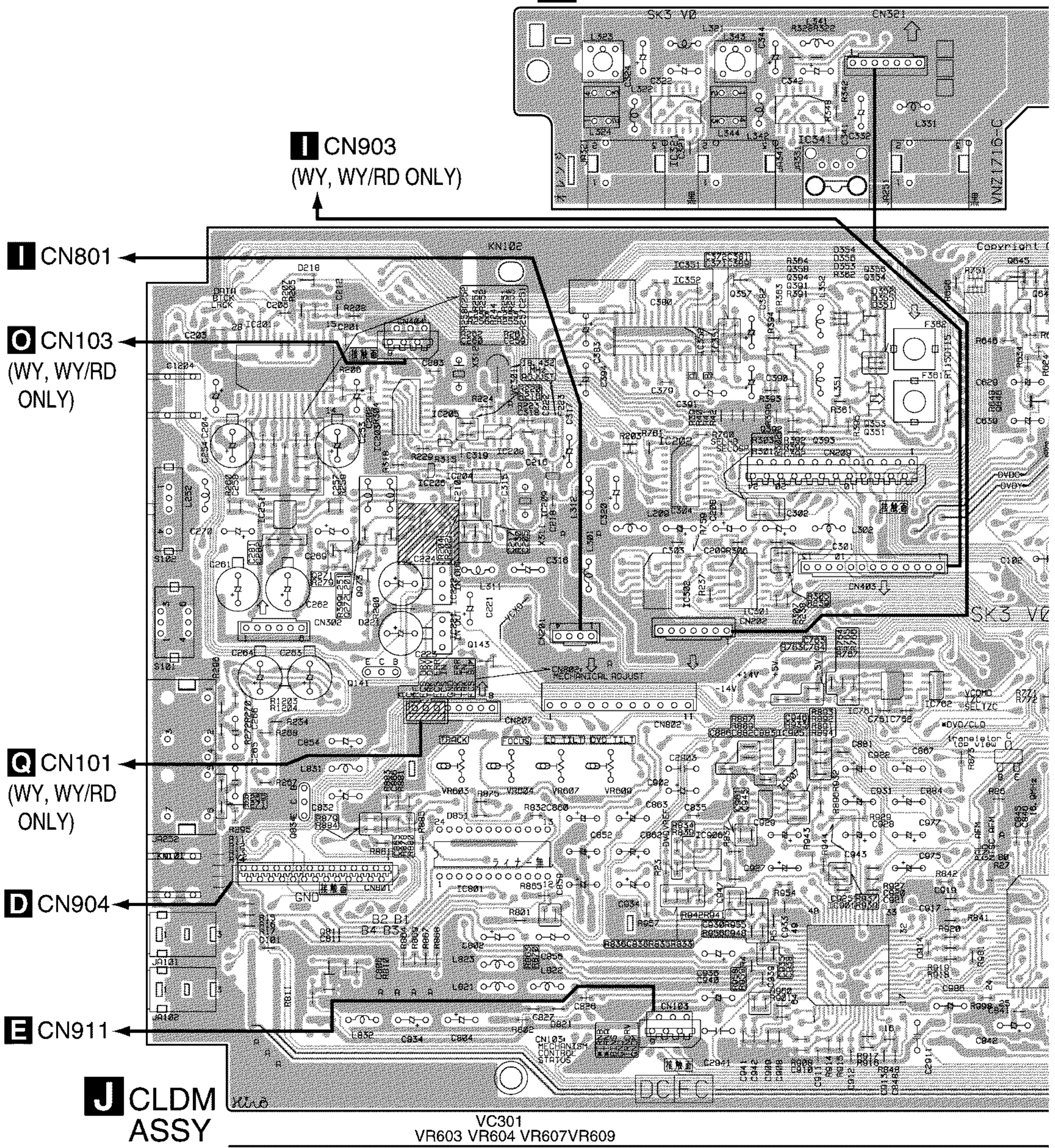
IC505	Q601	A
IC605	Q603	
IC504	Q771	
	Q772	
IC502	IC603	
IC503		
	IC602	
IC301	IC604	B
IC703	IC817	
	IC702	
IC201	IC808	
	IC809	
IC205		
	IC805	
	IC821	
Q261	IC802	C
	Q871	
	Q851	
	Q831	
Q106		
Q107	IC901	
	Q872	
	Q852	
	Q832	
IC101		
Q103	IC804	
Q108		
Q110		
Q104		D

(VNP1624-C)

SIDE B

4.4 CLDM AND JCKB ASSEMBLIES

K JCKB ASSY



J CLDM ASSY

IC201	IC251	IC203—IC206	IC208	IC209	IC352	IC351	Q357	Q358	Q356	Q353	Q645—
Q834	Q271	Q973	Q272		IC202				Q354	Q351	
	Q811	IC221	IC801	Q141	IC302	IC301	Q391—	Q394	IC761	IC762	IC9
						IC905—IC907		IC901			

SIDE A

O CN101

(WY, WY/RD)

P CN101

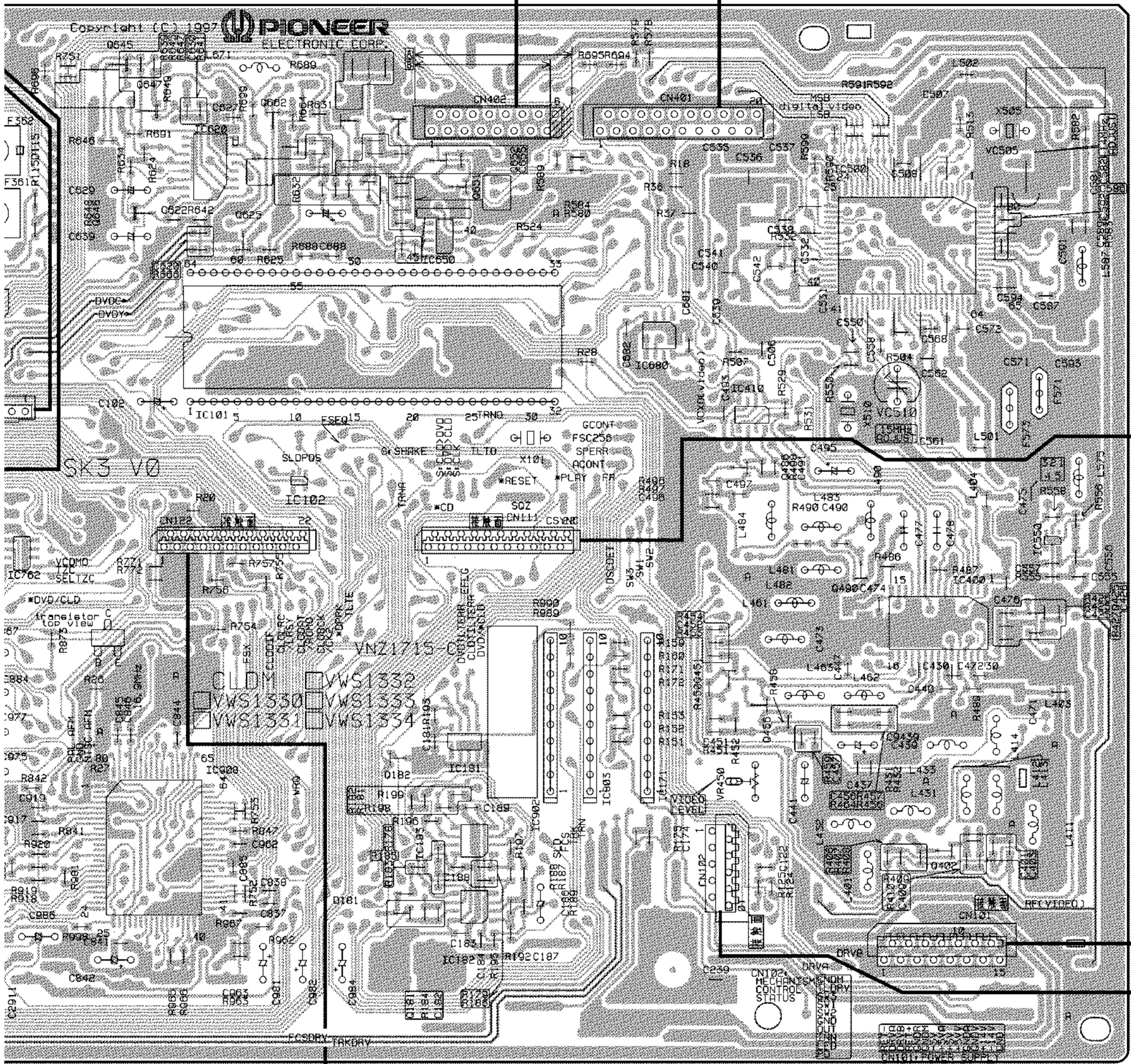
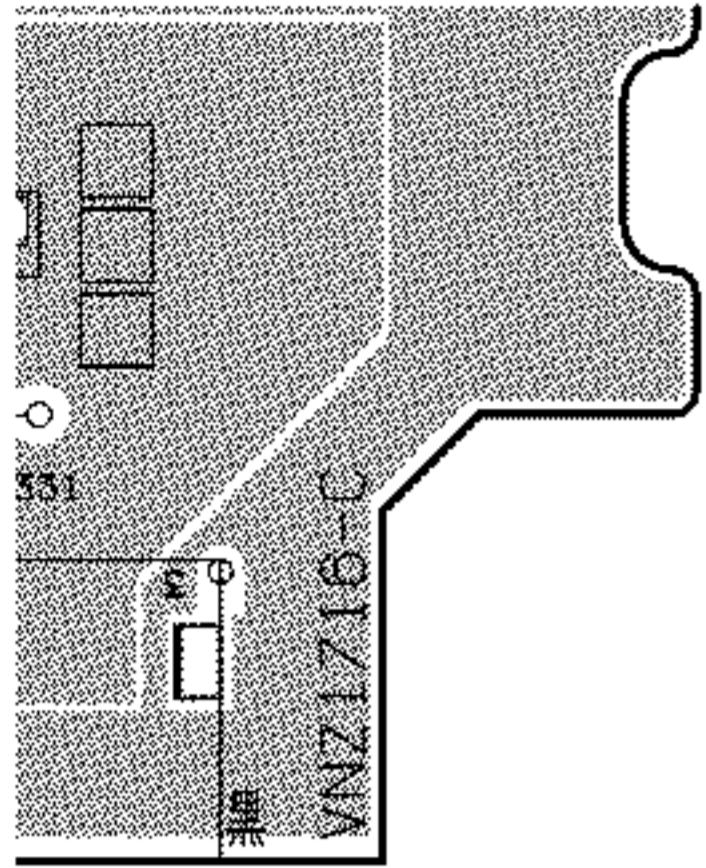
(RL, RAM, RD/RA, RD/RC)

O CN102

(WY, WY/RD)

P CN102

(RL, RAM, RD/RA, RD/RC)



I CN902

R CN203

A CN101

I CN901

- Q645—Q647 Q662 Q652 Q651 IC680 IC410 VC510 VC505
- IC762 IC620 Q625 IC101 IC102 Q182 IC181—IC183 Q451 Q456 IC500 IC400 IC550
- IC908 IC901 IC101 IC102 Q181 IC181—IC183 Q451 Q456 Q490 IC400 Q425

(VNP1630-C)

SIDE A

J K

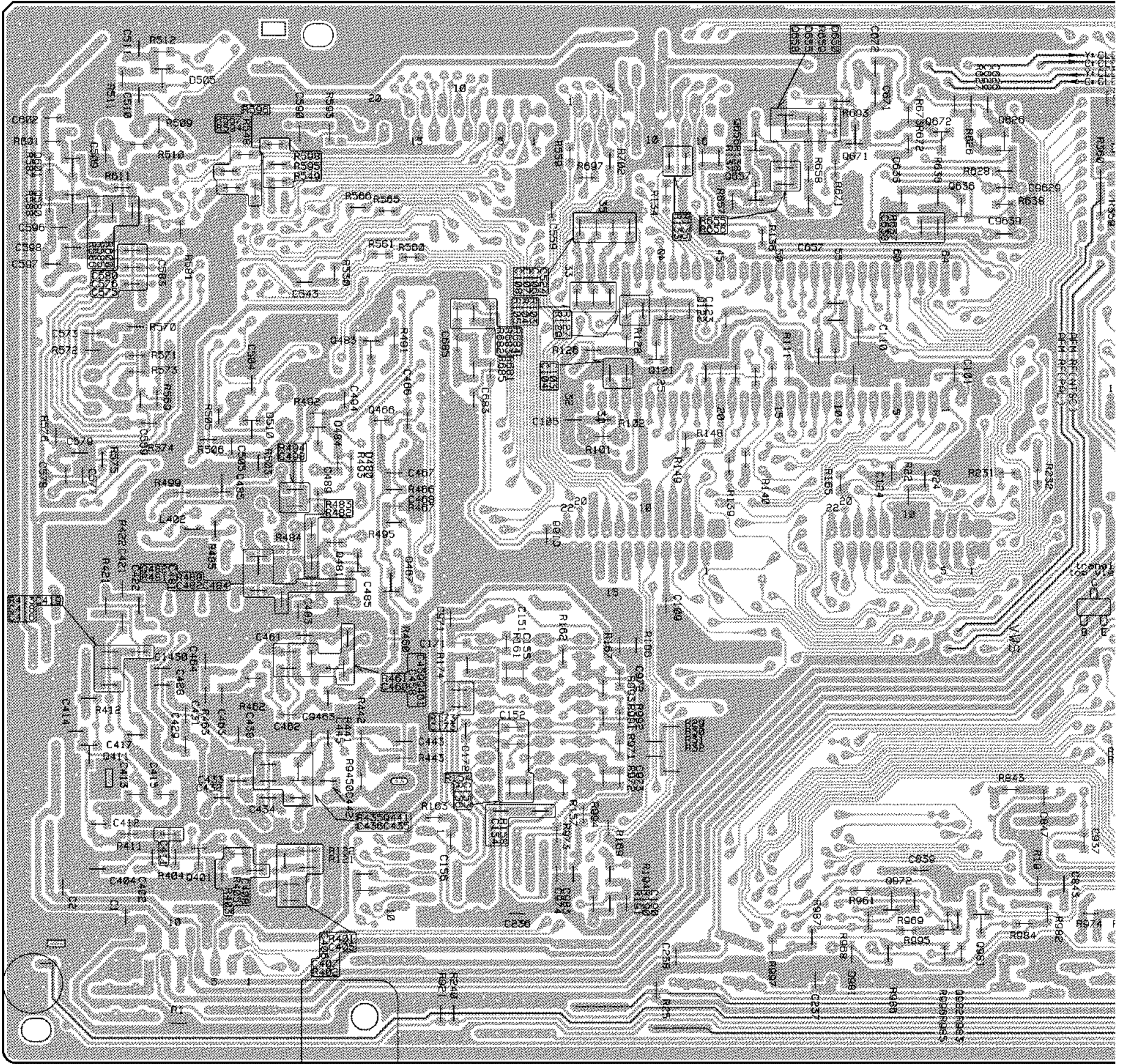
A

B

C

D

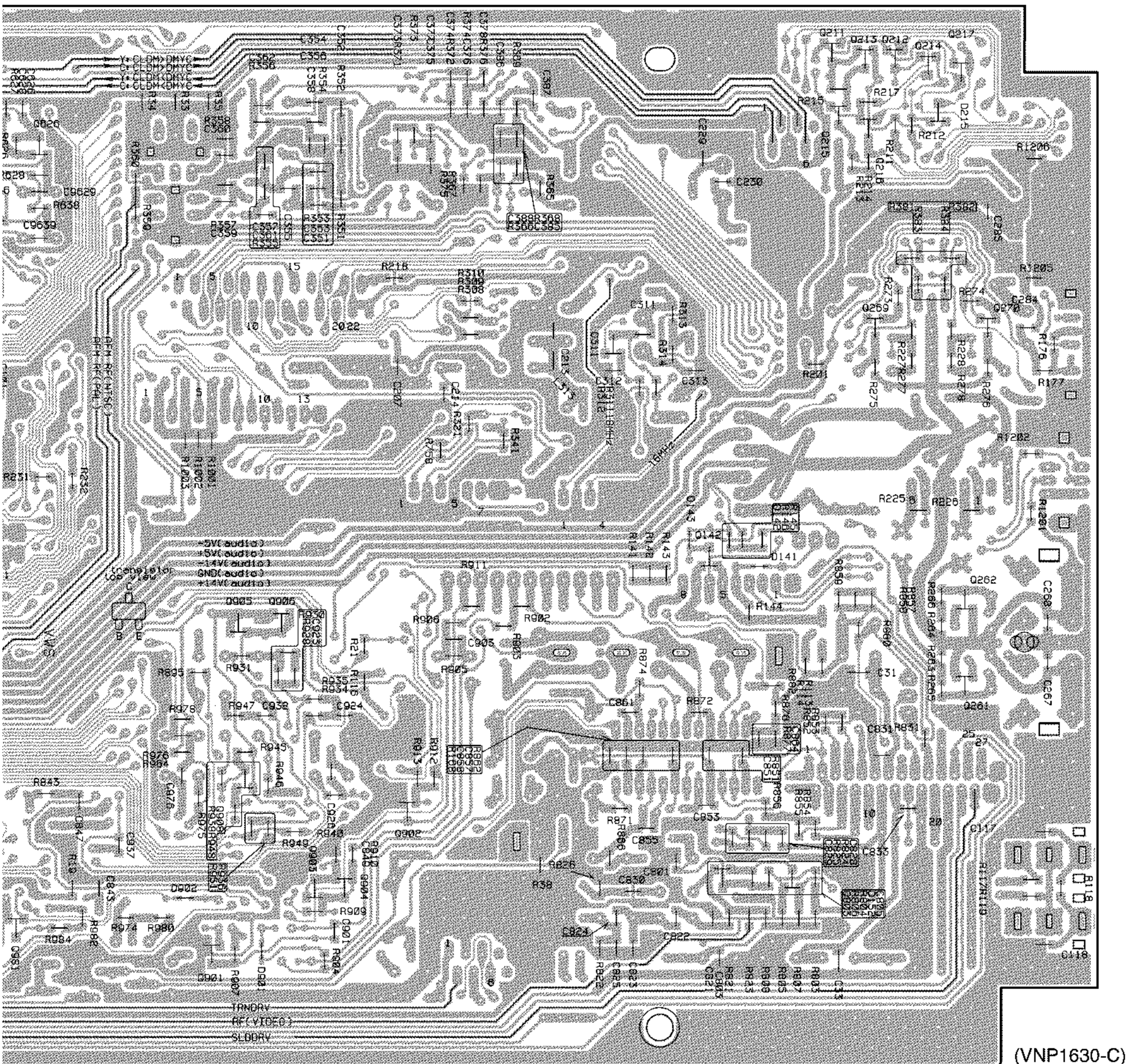
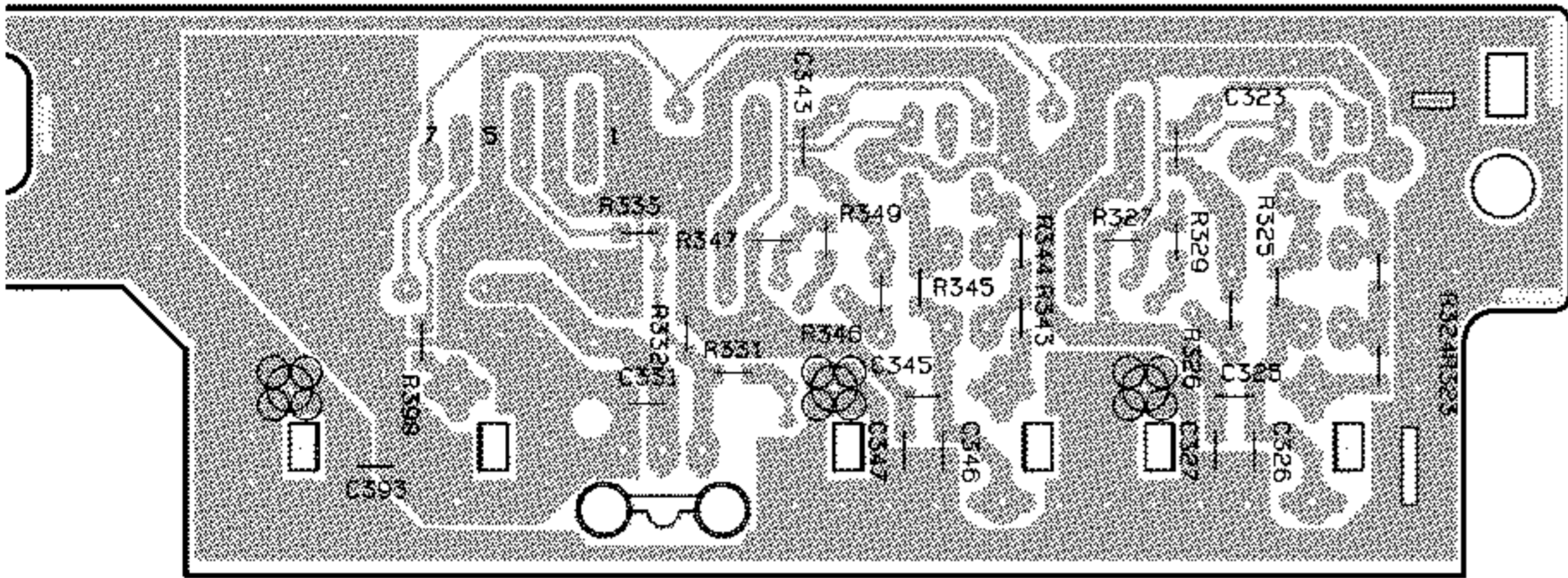
J CLDM ASSY



- Q601 Q485 Q484 Q483 Q122 Q656-Q658 Q671 Q672 Q626
- Q580 Q482 Q481 Q466 Q121 Q636
- Q411 Q401 Q461 Q467 Q972 Q982 Q981
- Q441

SIDE B

K JCKB ASSY



(VNP1630-C)

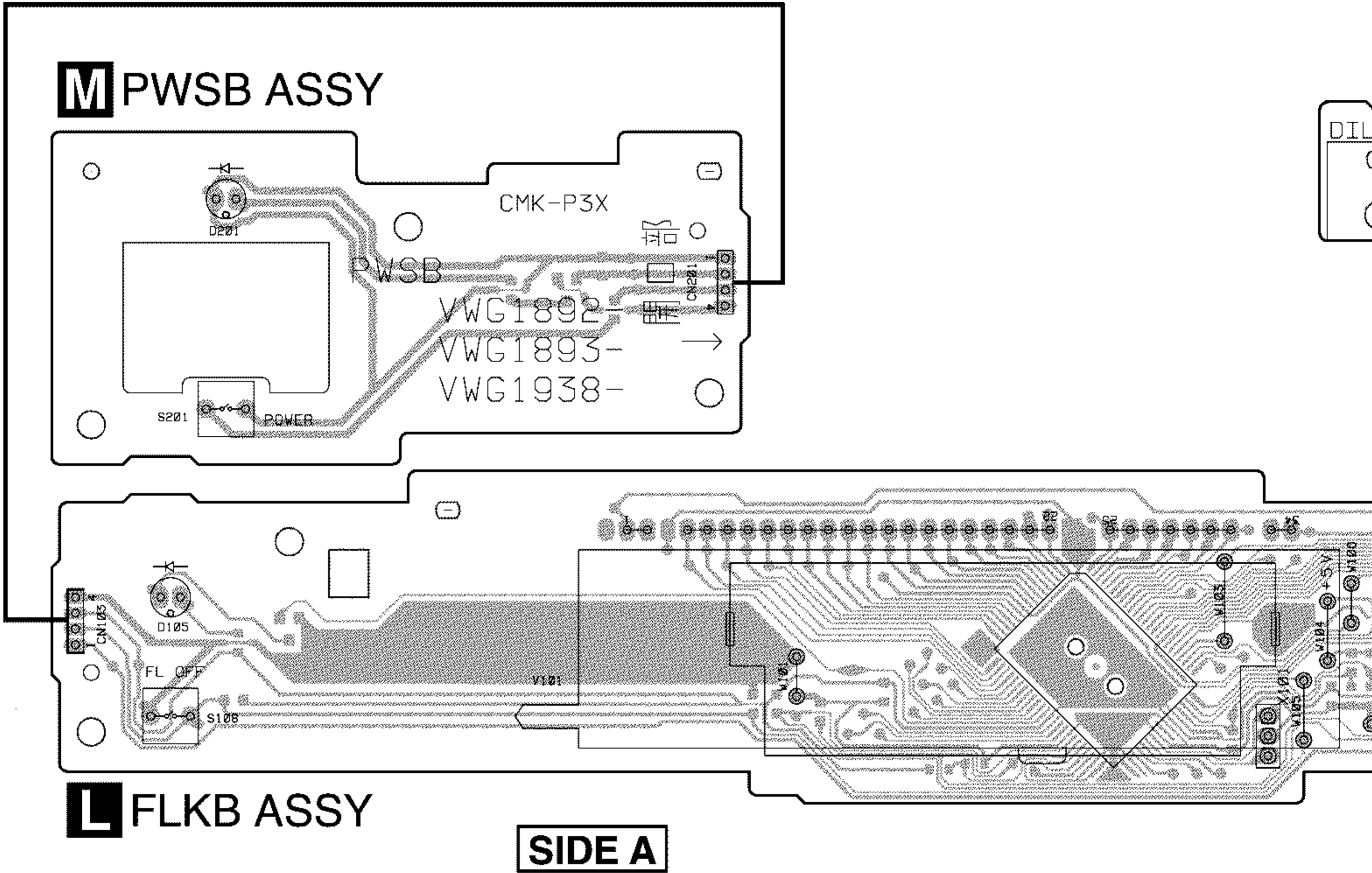
- Q626
- Q908
- Q142
- Q211—Q217
- Q270
- Q36
- Q901—Q906
- Q803
- Q152
- Q269
- Q262
- Q981
- Q261

SIDE B



4.5 FLKB, PWSB AND DILB ASSEMBLIES

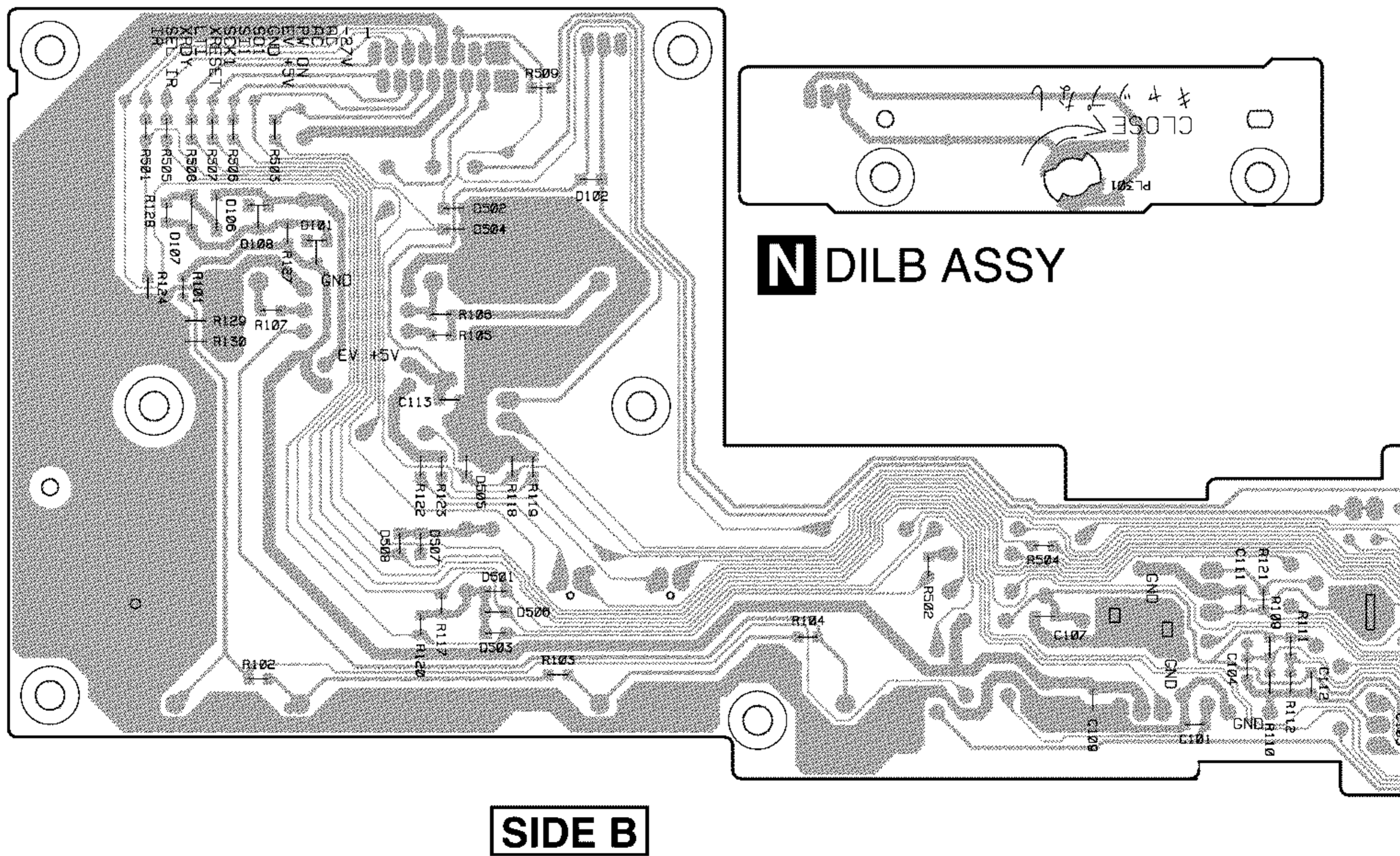
A

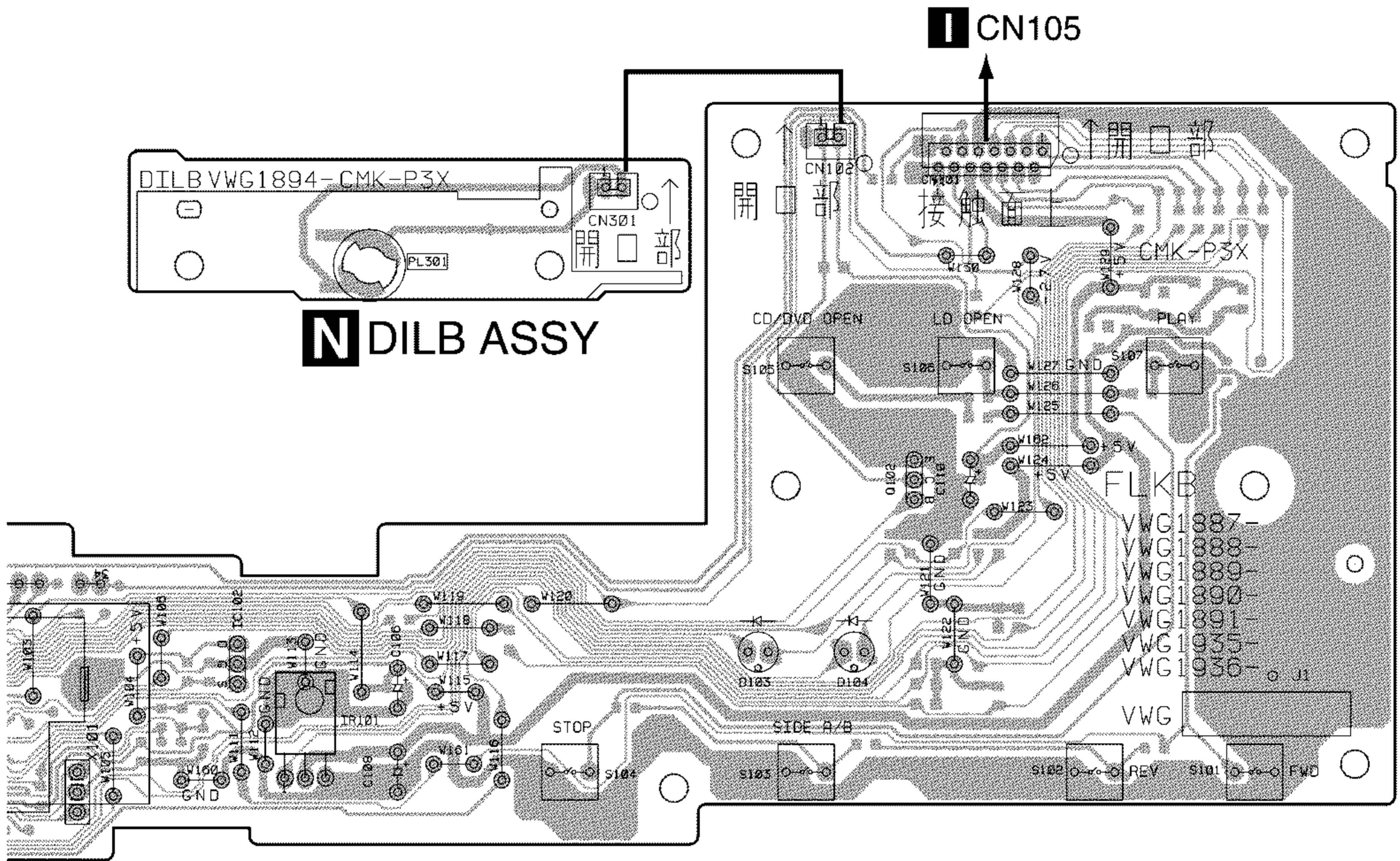


B

C

D



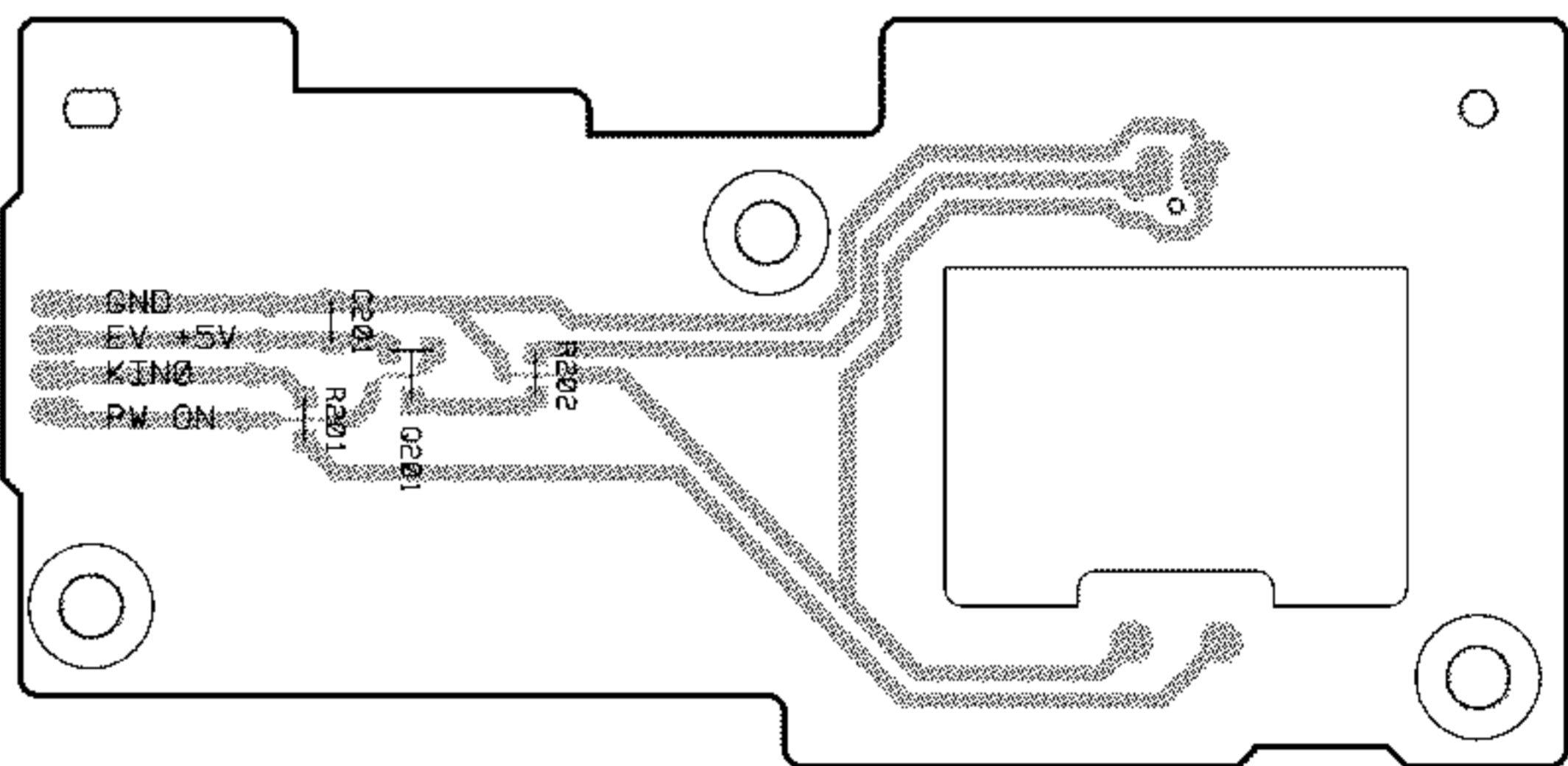


N DILB ASSY

SIDE A

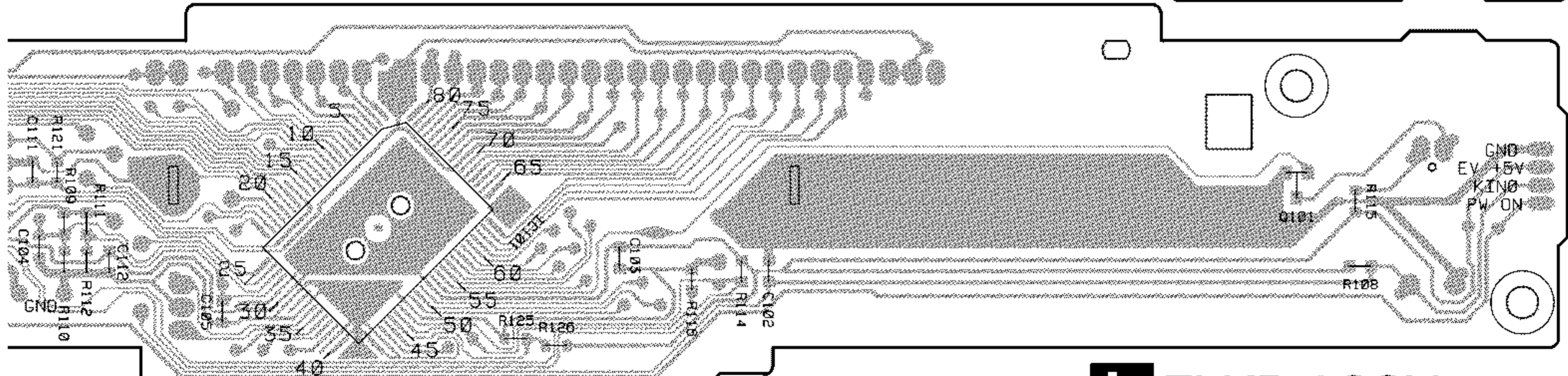
(VNP1631-B)

M PWSB ASSY



SIDE B

L FLKB ASSY

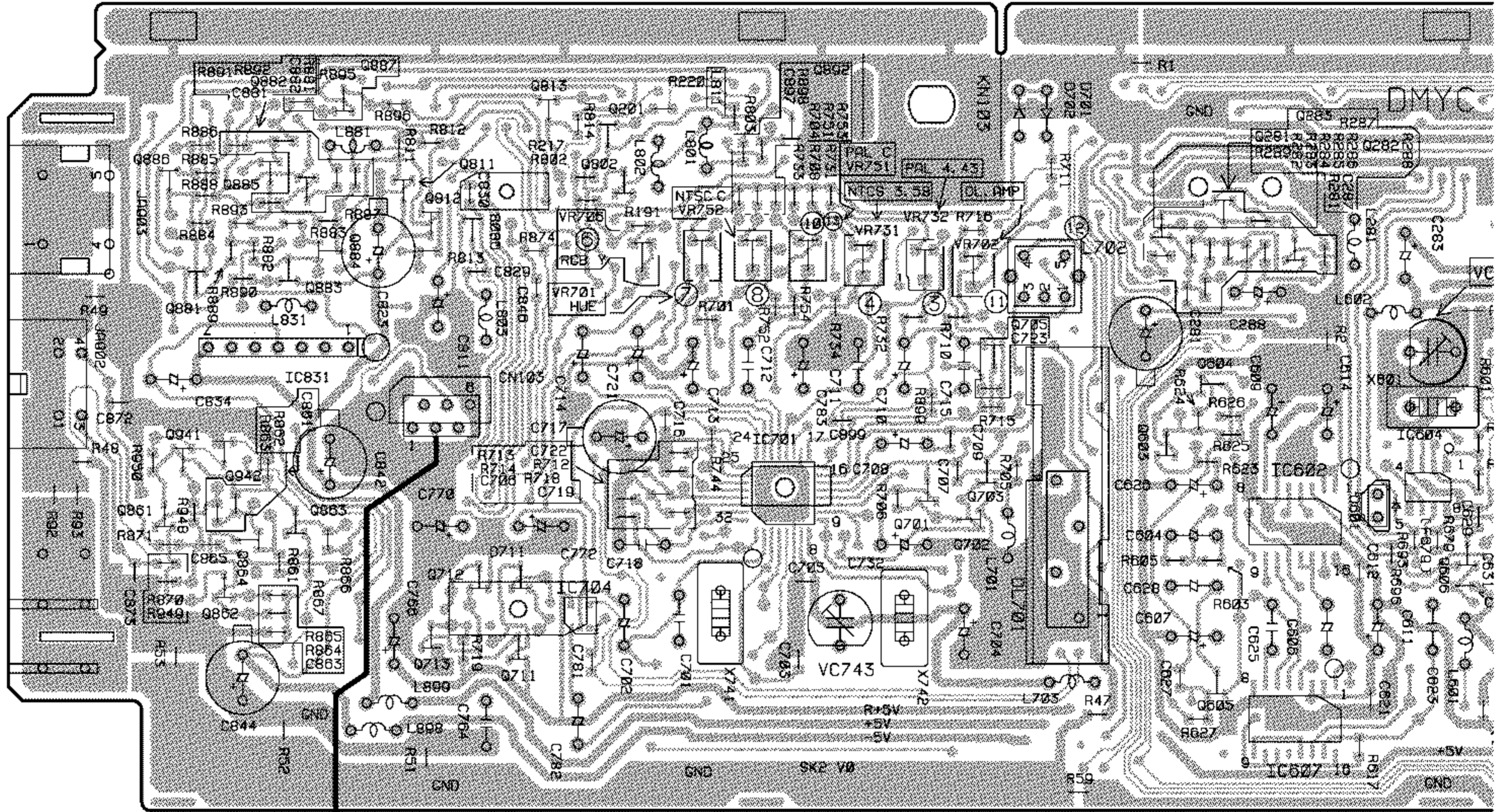


L M N

4.6 DMYC ASSY (WY AND WY/RD TYPES ONLY)

- | |
|---|
| Q886 Q885 Q882 Q887 Q811 Q813 Q201 Q892 Q281 - Q283 |
| Q881 Q883 Q884 Q812 Q808 Q802 Q603 Q604 IC604 |
| Q941 Q942 IC831 Q705 IC602 |
| Q861 - Q864 Q711 - Q713 IC704 IC701 Q701 - Q703 Q605 IC607 Q606 |
| VR701 VR752 VR751 VR732 VR706 VC743 VR731 VR702 VC651 |

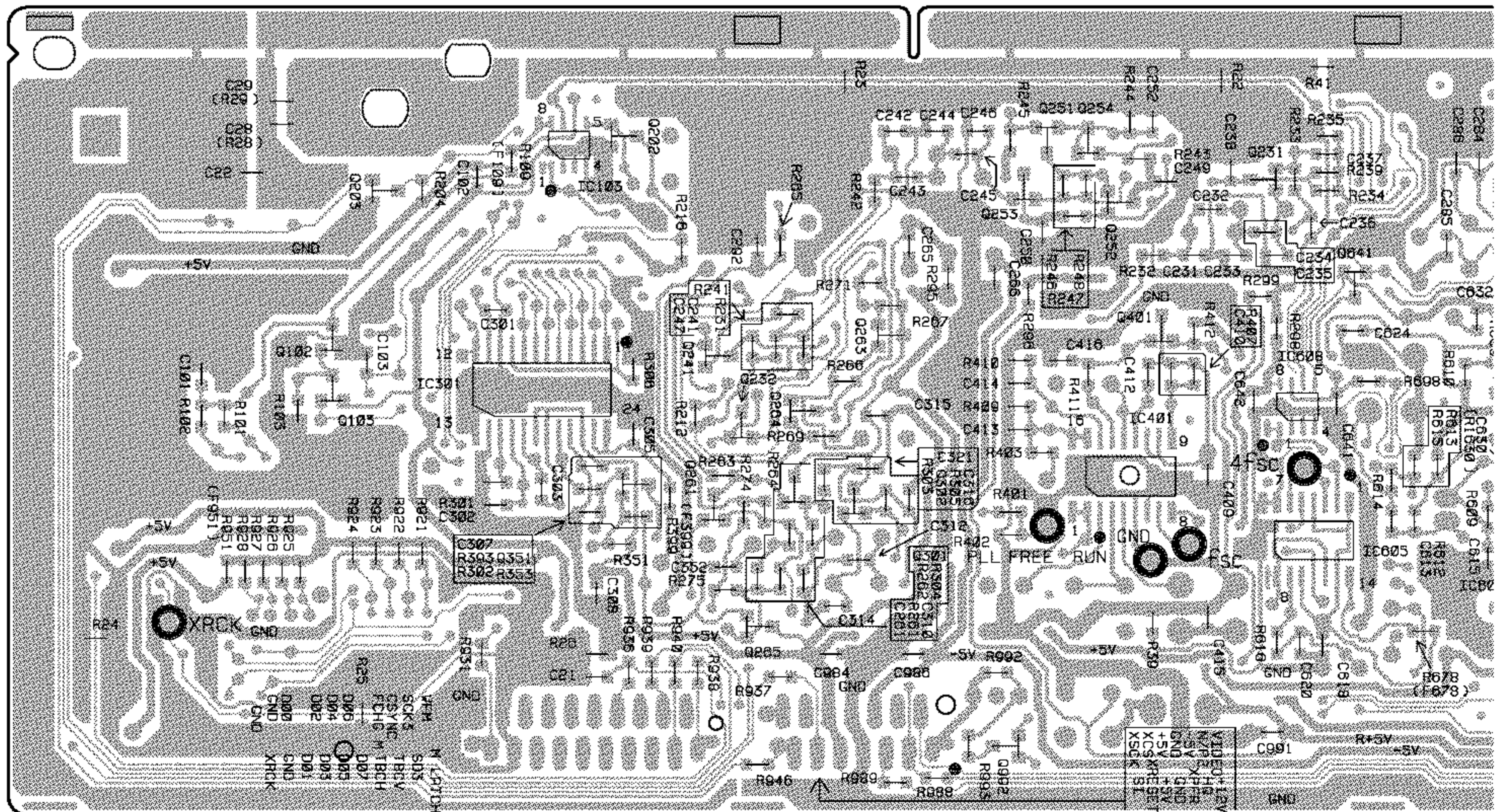
DMYC ASSY



SIDE A

- | | | | |
|----------------|--|------------------------|-----------------------|
| Q203 Q102 Q103 | IC103 Q202 IC301 | Q251 - Q254 IC401 Q401 | Q231 Q641 IC608 IC605 |
| | Q241 Q232 Q264 Q263 Q351 Q261 Q301 Q302 Q265 | Q992 | |

DMYC ASSY

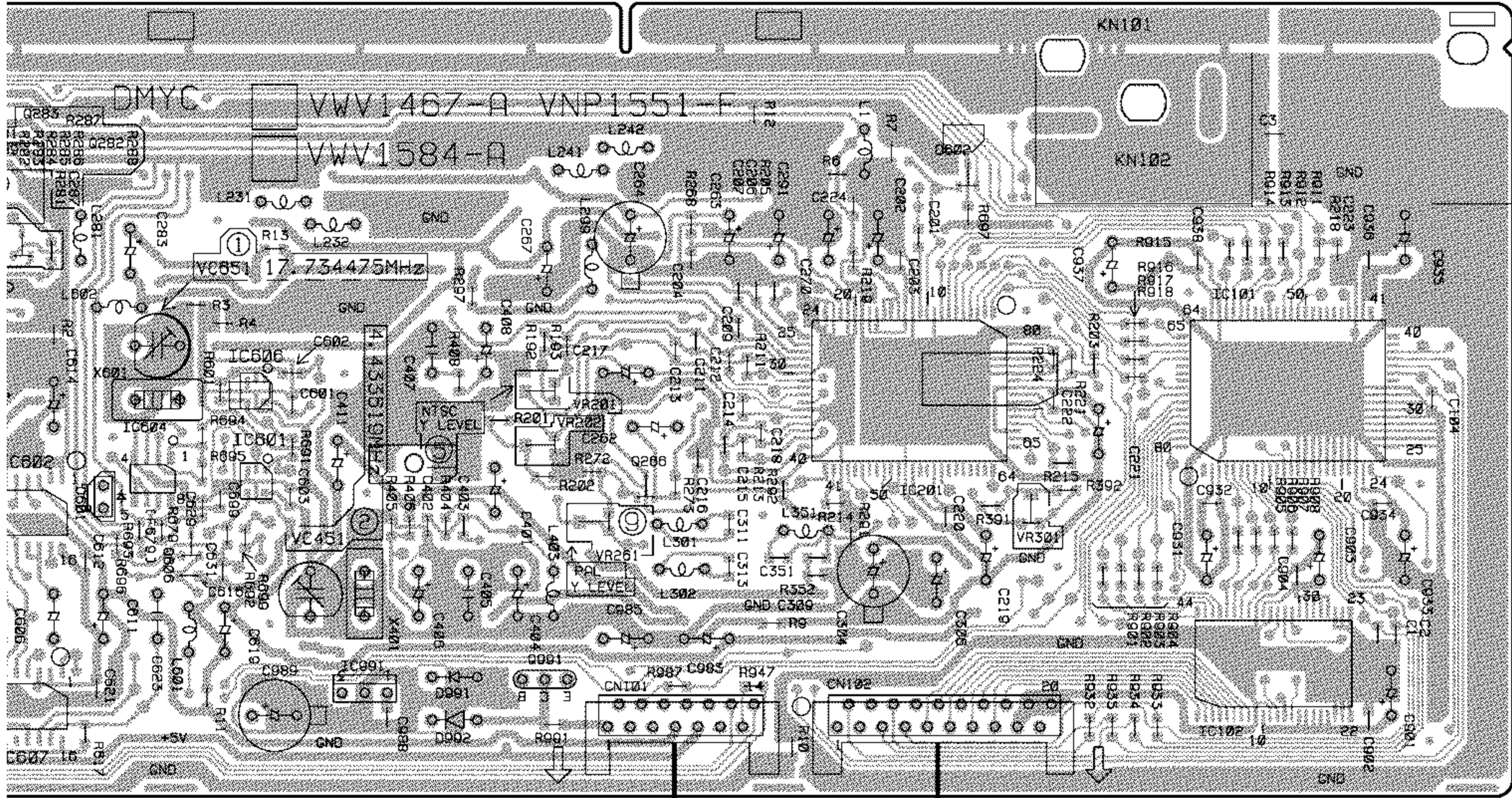


SIDE B

83

IC604	IC606					
Q602	IC601		Q266	IC201	IC101	
Q607	Q606	IC991	Q991		IC102	

VC651		VR201		VR301
VC451		VR202 VR261		



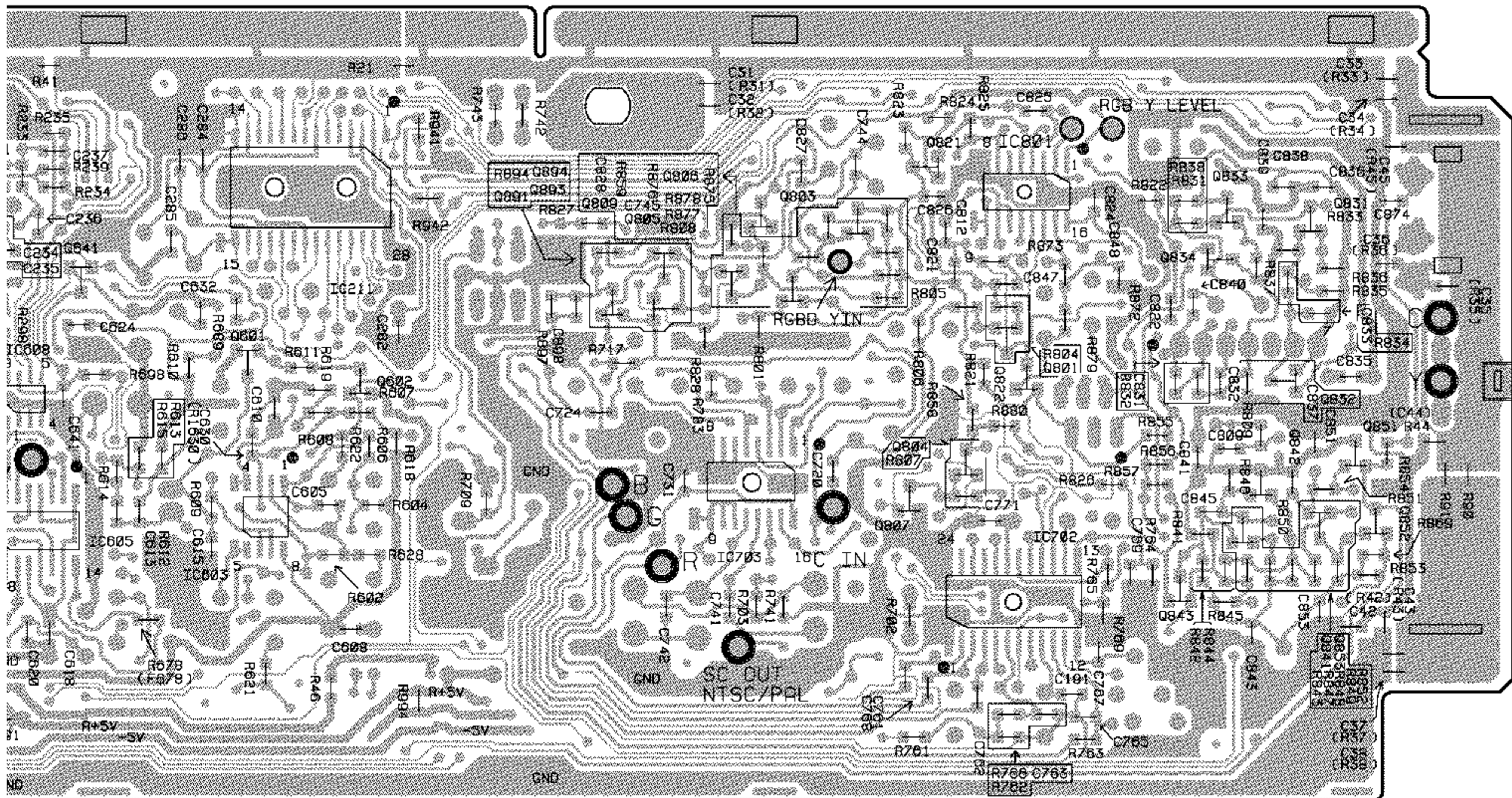
J CN402

J CN401

SIDE A

(VNP1551-F)

Q641	IC211	Q894	Q803	Q806	Q821	IC801	Q834	Q833	Q831	
C608	Q601	Q602	Q891	Q893	Q805	Q804	Q801	Q822	Q832	Q851
IC605	IC603		IC703		Q807	IC702	Q841	Q842	Q853	Q852
							Q843			



SIDE B

(WY AND WY/RD TYPES ONLY)

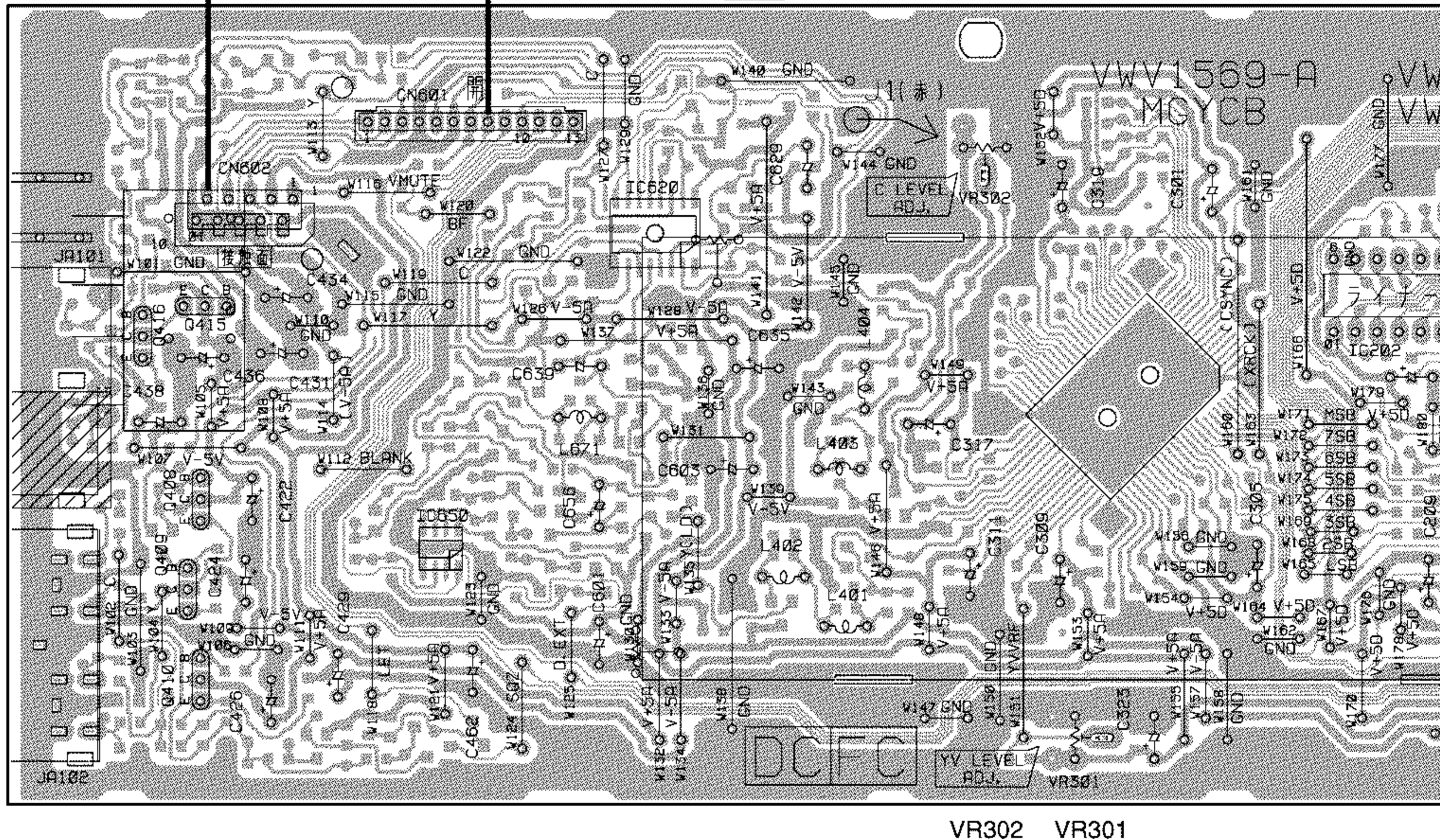


4.7 MYCB ASSY (RL, RAM, RD/RA AND RD/RC TYPES ONLY)

P CN405

I CN903

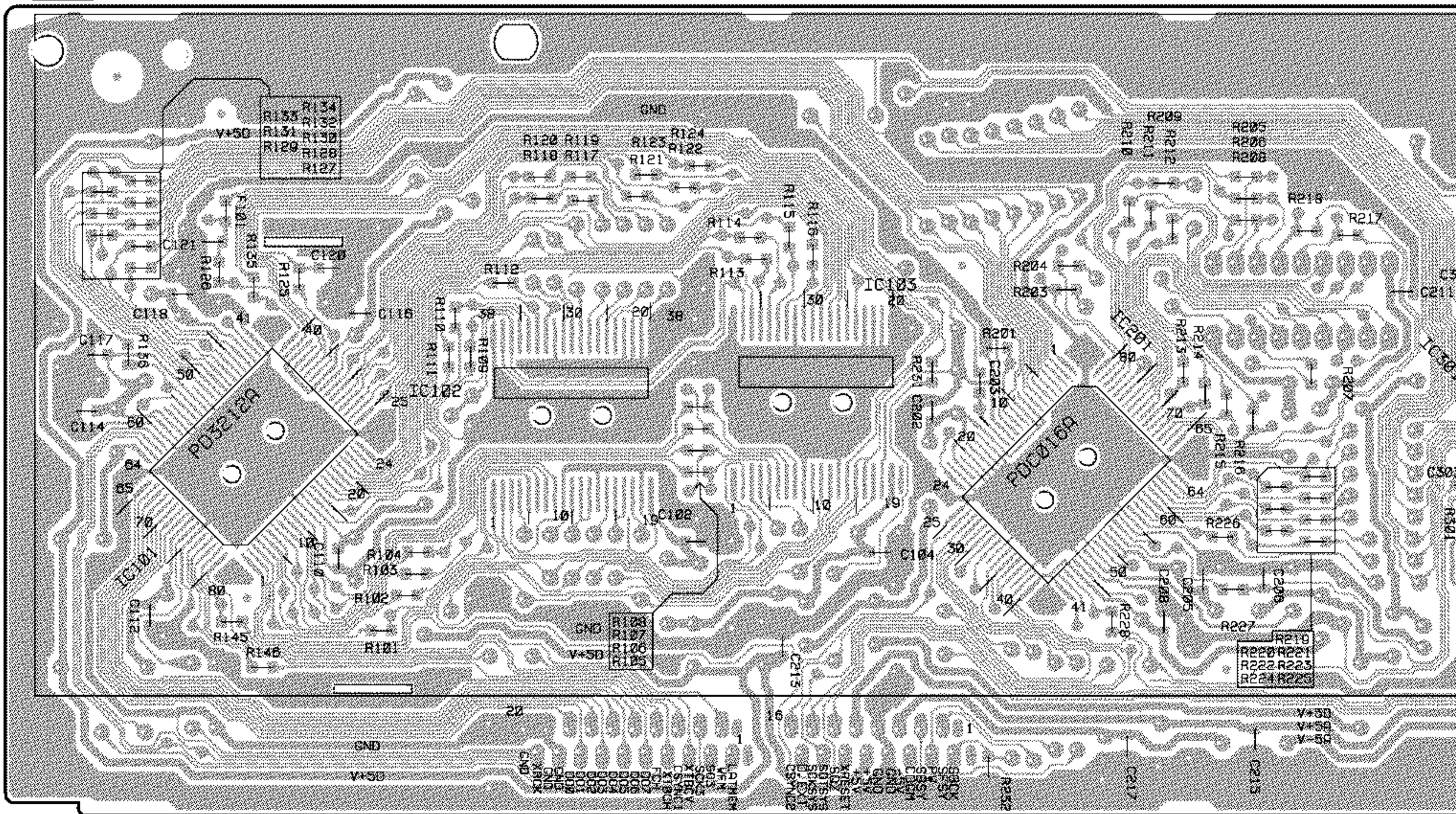
O MYCB ASSY



Q416 Q415
Q408 - Q410

SIDE A

O MYCB ASSY



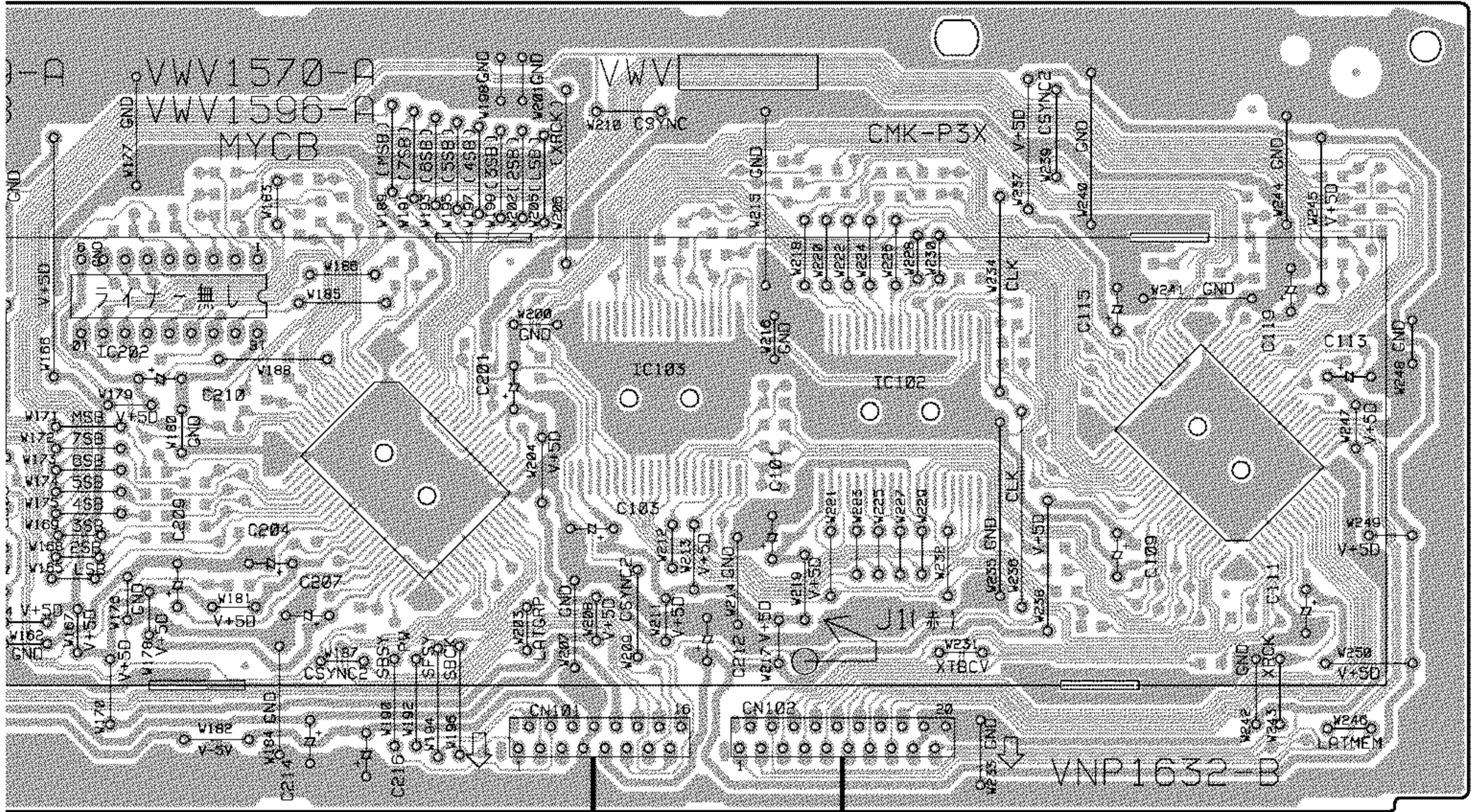
IC101

IC102

IC103

IC201

SIDE B



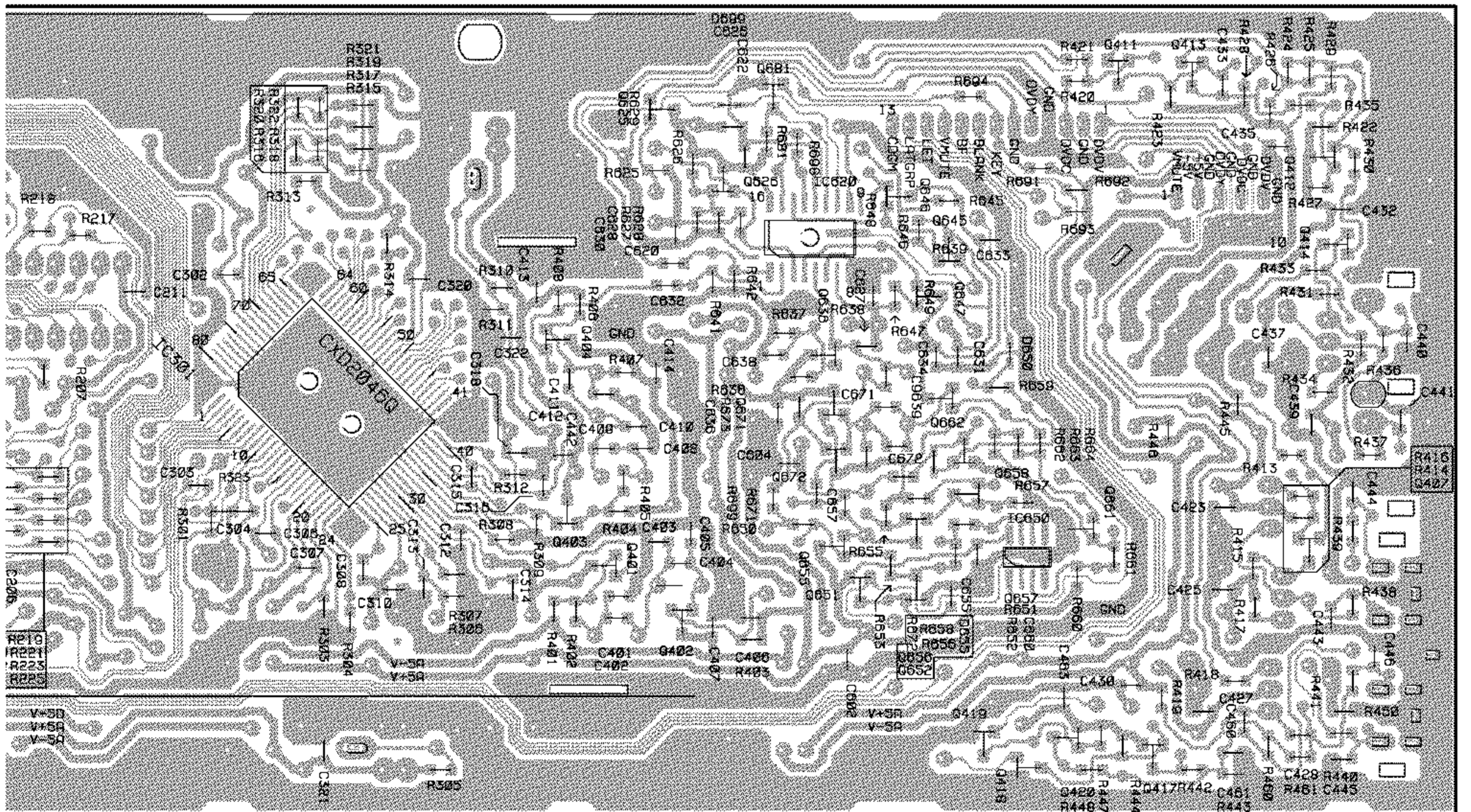
IC202

J CN402

J CN401

SIDE A

(VNP1632-B)



IC301

Q625 Q681 IC620 Q645-Q647 Q411 Q413 Q412
 Q626 Q636 Q662 IC650 Q661 Q414
 Q401-Q404 Q671 Q656 Q658 Q407
 Q672 Q652 Q657
 Q655 Q651 Q417-Q420

SIDE B

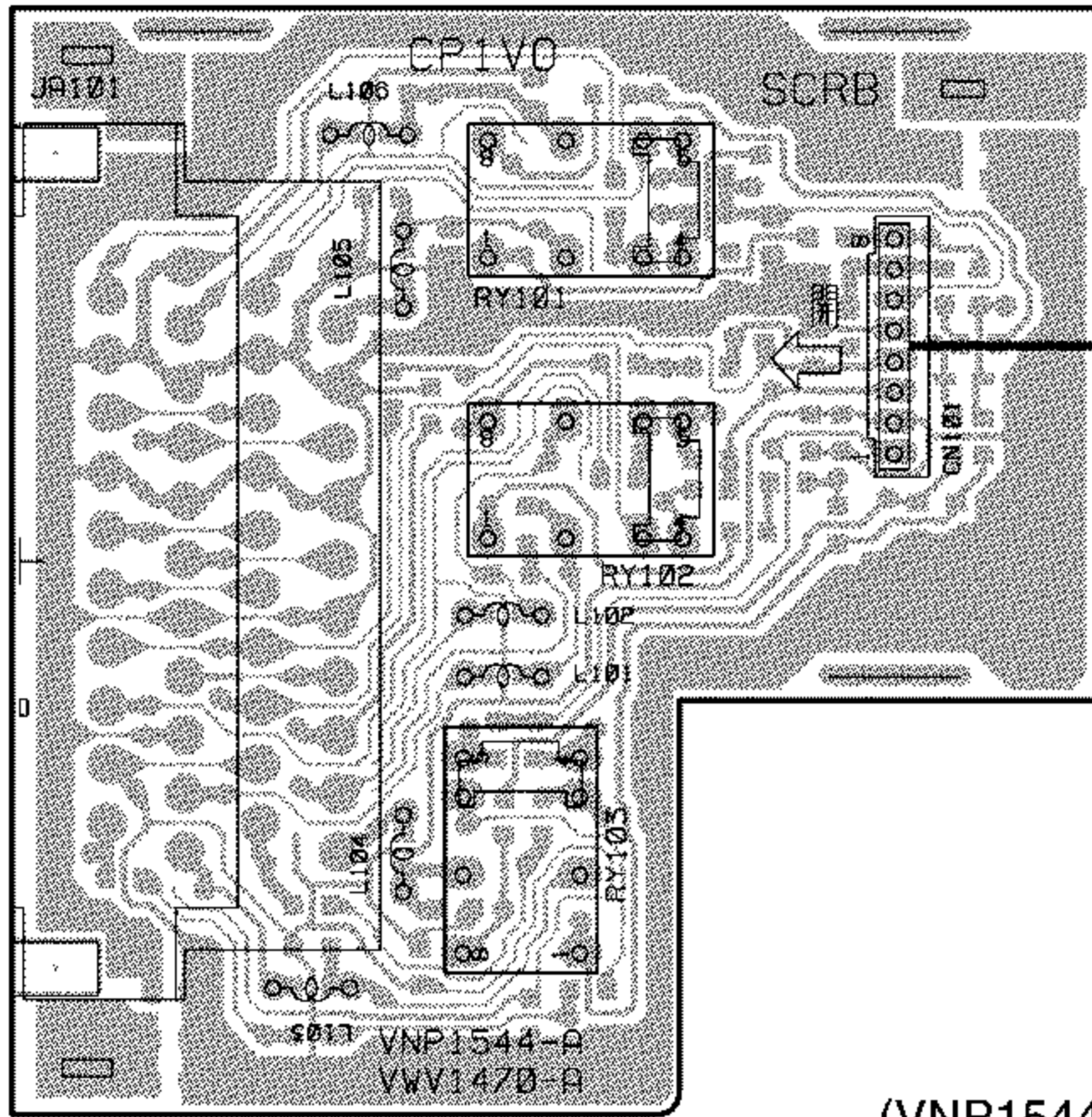
(RL, RAM, RD/RA AND RD/RC TYPES ONLY)



4.8 SCRIB ASSY (WY AND WY/RD TYPES ONLY)

A

Q SCRIB ASSY



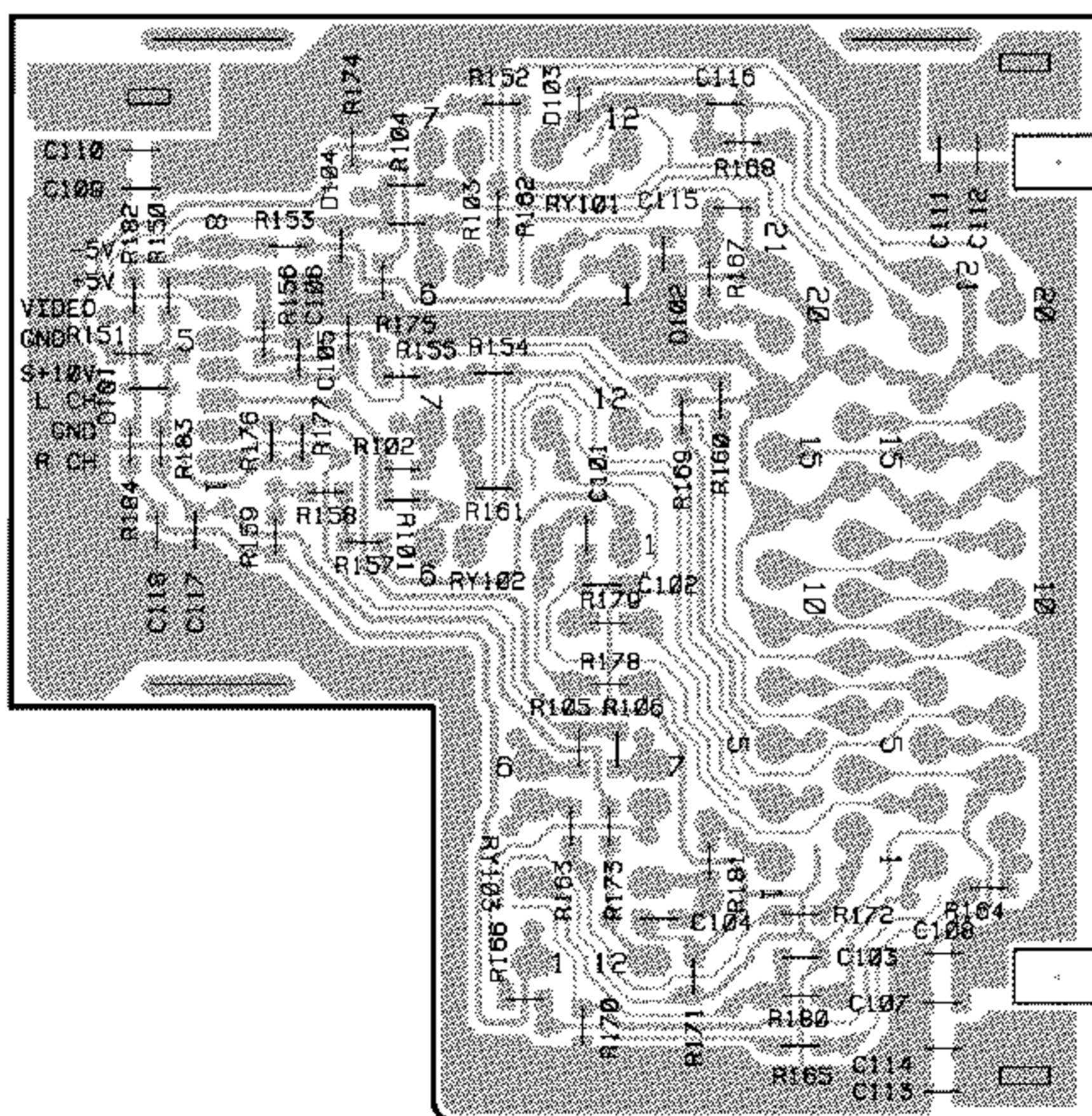
J CN207

(VNP1544-A)

SIDE A

B

Q SCRIB ASSY



SIDE B

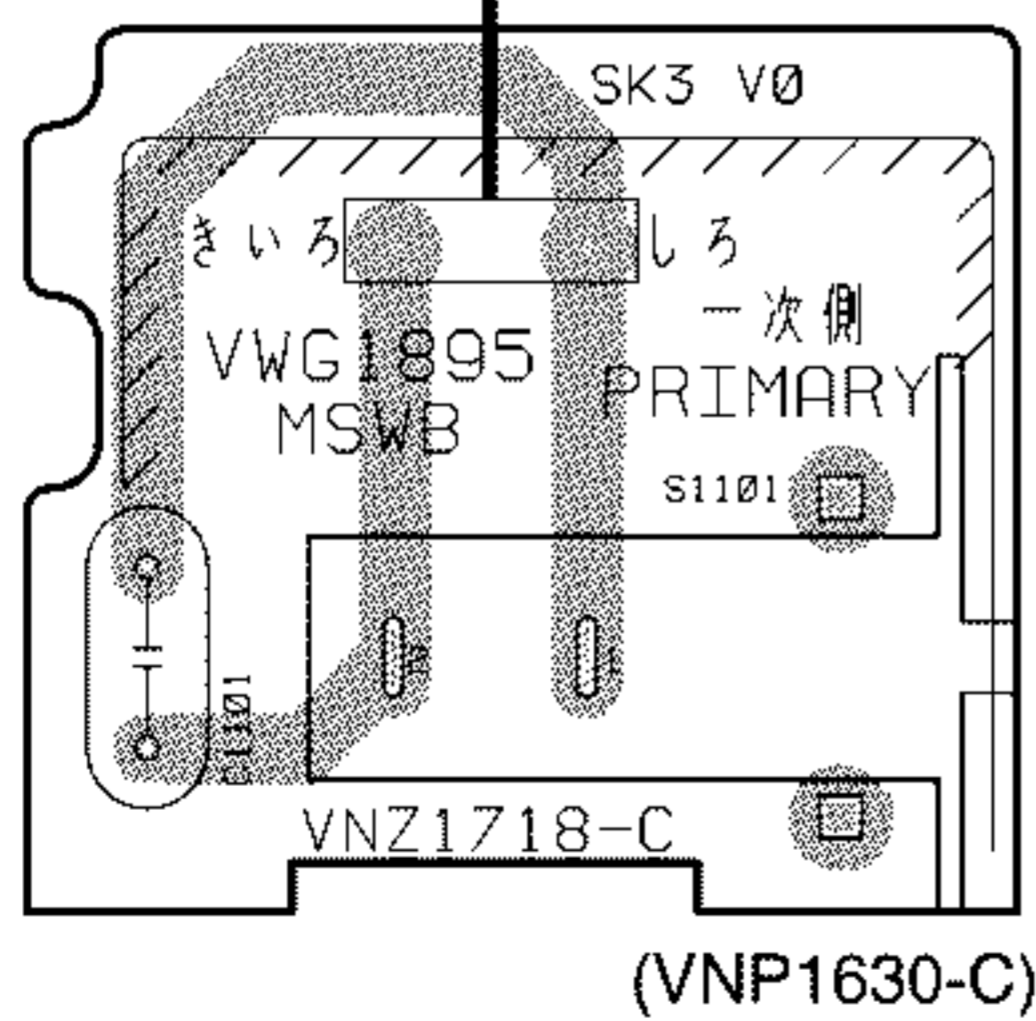
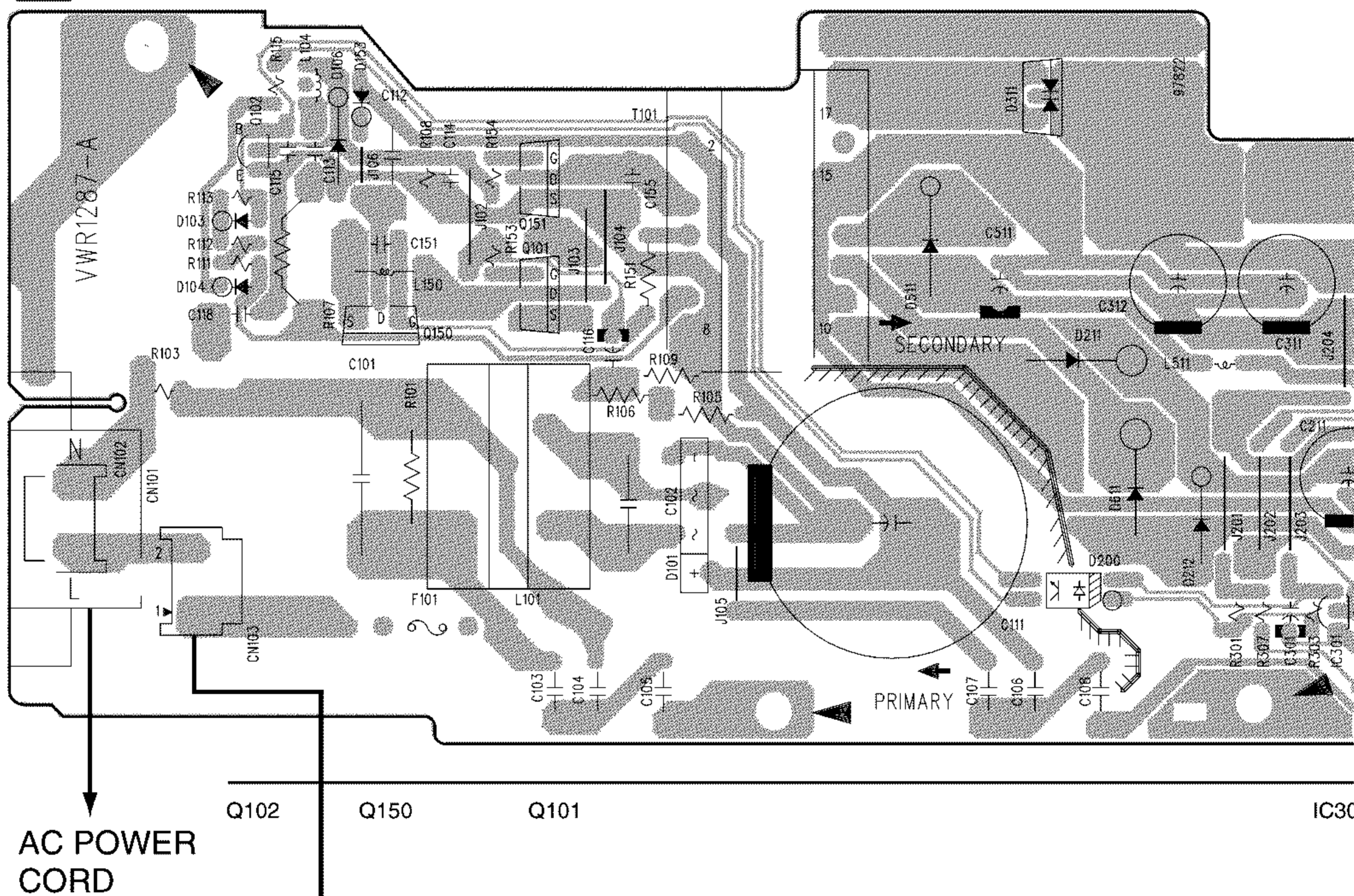
C

D

60 Q (WY AND WY/RD TYPES ONLY)

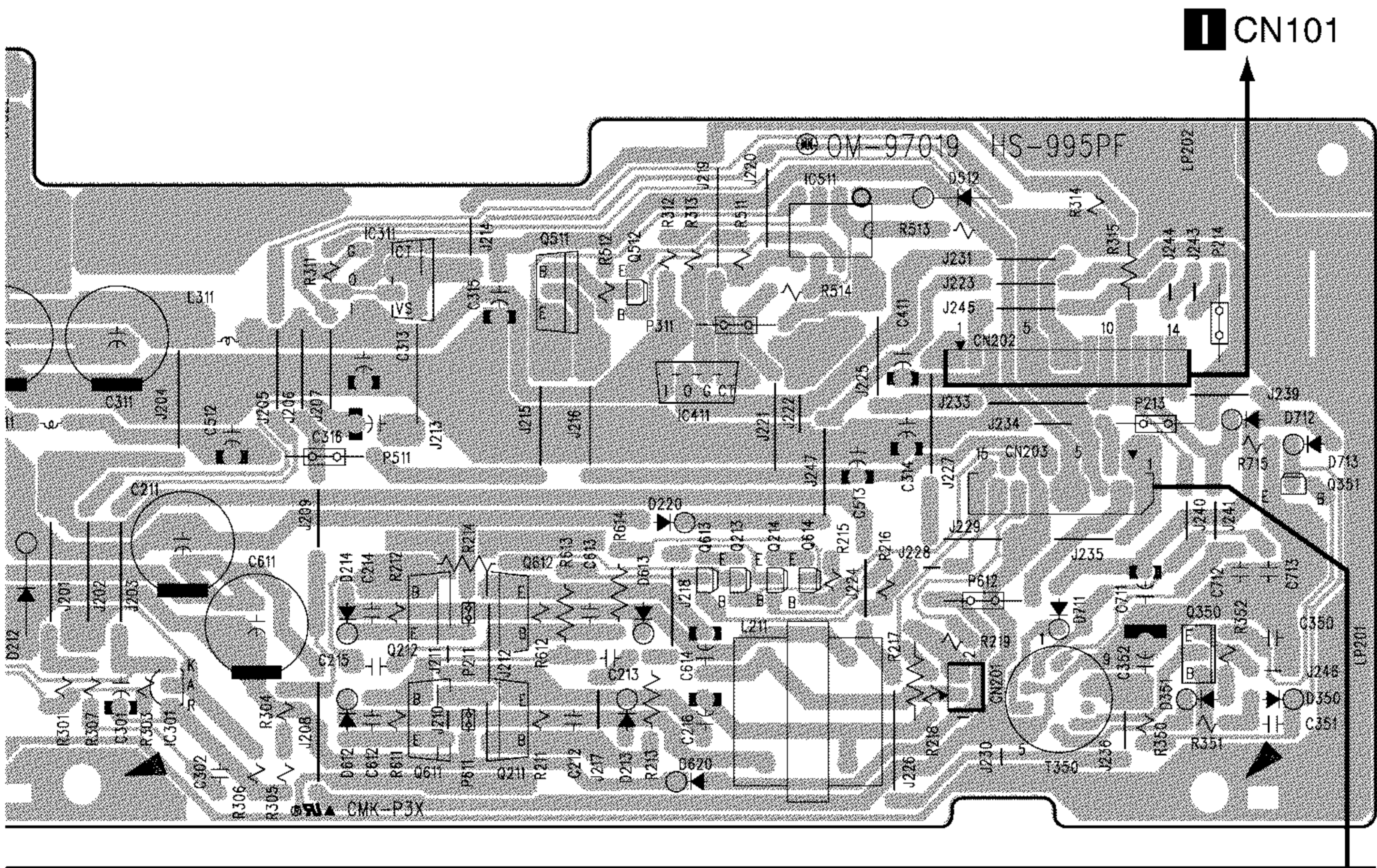
4.9 POWER SUPPLY AND MSWB ASSEMBLIES

R POWER SUPPLY ASSY



S MSWB ASSY

SIDE A



IC301	IC311	Q511	Q512	IC411	IC511	Q350	Q351
	Q212	Q612		Q613	Q214		
	Q611	Q211		Q213	Q614		

J CN101

SIDE A

5. PCB PARTS LIST

NOTES: ● Parts marked by "NSP" are generally unavailable because they are not in our Master Spare Parts List.

● The Δ mark found on some component parts indicates the importance of the safety factor of the part. Therefore, when replacing, be sure to use parts of identical designation.

● When ordering resistors, first convert resistance values into code form as shown in the following examples.

Ex.1 When there are 2 effective digits (any digit apart from 0), such as 560 ohm and 47k ohm (tolerance is shown by J=5%, and K=10%).

560 → 56 x 10¹ → 561 RD1/4PU561J
 47k → 47 x 10³ → 473 RD1/4PU473J
 0.5 → R50 RN2H R50 K
 1 → 1R0 RS1P 1R0 K

Ex.2 When there are 3 effective digits (such as in high precision metal film resistors).

5.62k → 562 x 10¹ → 5621 RN1/4PC5621F

■ LIST OF WHOLE PCB ASSEMBLIES

Mark	Symbol and Description	Part No.						Remarks
		WY	WY/RD	RD/RA	RD/RC	RAM	RL	
NSP	MACB ASSY	VWM1507	VWM1507	VWM1507	VWM1507	VWM1507	VWM1507	
NSP	└ LMSB ASSY	VWG1554	VWG1554	VWG1554	VWG1554	VWG1554	VWG1554	
NSP	└ PKSB ASSY	VWG1555	VWG1555	VWG1555	VWG1555	VWG1555	VWG1555	
NSP	└ FG ASSY	VWG1556	VWG1556	VWG1556	VWG1556	VWG1556	VWG1556	
NSP	MECHB ASSY	VWM1721	VWM1721	VWM1721	VWM1721	VWM1721	VWM1721	
NSP	└ CNNB ASSY	VWG1792	VWG1792	VWG1792	VWG1792	VWG1792	VWG1792	
NSP	└ TNMB ASSY	VWG1793	VWG1793	VWG1793	VWG1793	VWG1793	VWG1793	
NSP	└ DCSB ASSY	VWG1794	VWG1794	VWG1794	VWG1794	VWG1794	VWG1794	
NSP	└ LCSB ASSY	VWG1795	VWG1795	VWG1795	VWG1795	VWG1795	VWG1795	
NSP	└ BISB ASSY	VWG1796	VWG1796	VWG1796	VWG1796	VWG1796	VWG1796	
NSP	FLKY ASSY	VWM1802	VWM1802	VWM1823	VWM1823	VWM1822	VWM1801	
NSP	└ FLKB ASSY	VWG1890	VWG1890	VWG1936	VWG1936	VWG1935	VWG1889	*1
NSP	└ PWSB ASSY	VWG1938	VWG1938	VWG1893	VWG1893	VWG1893	VWG1893	*2
NSP	└ DILB ASSY	VWG1894	VWG1894	VWG1894	VWG1894	VWG1894	VWG1894	
NSP	CLDGM ASSY	VWM1806	VWM1806	VWM1805	VWM1805	VWM1805	VWM1805	
	└ CLDM ASSY	VWS1332	VWS1332	VWS1331	VWS1331	VWS1331	VWS1331	
	└ JCKB ASSY	VWV1578	VWV1578	VWV1579	VWV1579	VWV1579	VWV1579	
	└ MSWB ASSY	VWG1895	VWG1895	VWG1895	VWG1895	VWG1895	VWG1895	
	DVDM ASSY	VWS1328	VWS1328	VWS1328	VWS1328	VWS1328	VWS1328	
	DMYC ASSY	VWV1584	VWV1584	Not used	Not used	Not used	Not used	
	MYCB ASSY	Not used	Not used	VWV1596	VWV1596	VWV1596	VWV1596	
	SCRB ASSY	VWV1470	VWV1470	Not used	Not used	Not used	Not used	
Δ	POWER SUPPLY ASSY	VWR1287	VWR1287	VWR1287	VWR1287	VWR1287	VWR1287	

*1:Although VWG1890,VWG1936,VWG1935 and VWG1889 are different in part number,they have the same service parts list.

*2:Although VWG1938 and VWG1893 are different in part number,they have the same service parts list.

■ PARTS LIST

Mark	No.	Description	Part No.	Mark	No.	Description	Part No.
		MACB ASSY				LMSB ASSY	
		OTHERS				SWITCHES	
		PC BOARD (MACB)	VNP1479			S101-S103	DSG1017

Mark No.	Description	Part No.
----------	-------------	----------

OTHERS

CN101	10P CONNECTOR	52044-1045
-------	---------------	------------

B PKSB ASSY**SWITCHES**

S104,S105		DSG1017
-----------	--	---------

C FG ASSY**SEMICONDUCTOR**

D101		GP1S24
------	--	--------

MECHB ASSY**OTHERS**

PC BOARD (MECHB)		VNP1599
------------------	--	---------

D CNNB ASSY**OTHERS**

CN903	23P FFC CONNECTOR	52030-2310
CN901	26P FFC CONNECTOR	52030-2610
CN905,CN906	KR CONNECTOR	S2B-PH-K-S
CN902	26P FFC CONNECTOR	SLW26R-1C7
CN904	27P FFC CONNECTOR	SLW27R-1C7

E TNMB ASSY**OTHERS**

CN911	6P FFC CONNECTOR	52044-0645
CN912	KR CONNECTOR	B2B-PH-K-S
CN913	KR CONNECTOR	B3B-PH-K-S

F DCSB ASSY**SWITCH**

S902		DSG1017
------	--	---------

OTHERS

CN915	KR CONNECTOR	S2B-PH-K-S
-------	--------------	------------

G LCSB ASSY**SWITCH**

S903		DSG1017
------	--	---------

Mark No.	Description	Part No.
----------	-------------	----------

OTHERS

CN916	KR CONNECTOR	S2B-PH-K-S
-------	--------------	------------

H BISB ASSY**SWITCH**

S901		DSG1017
------	--	---------

OTHERS

CN914	KR CONNECTOR	S2B-PH-K-S
-------	--------------	------------

FLKY ASSY**OTHERS**

PC BOARD (FLKY)		VNP1631
-----------------	--	---------

L FLKB ASSY**SEMICONDUCTORS**

IC101	PD4890A
IC102	S-806D
Q102	DTD113ES
Q101	PDTC124EK
D106	EP05Q04
D102	MA111
D101	RB411D
D103,D104	SLP3118C51H
D105	SLP4118C51H

SWITCHES

S101-S108	RSG1030
-----------	---------

CAPACITORS

C110	CEAL470M6R3
C108	CEHAQ471M6R3
C106	CEJA470M6R3
C101,C102,C104,C105,C111	CKSQYB102K50
C103,C107,C109,C112,C113	CKSQYF104Z25

RESISTORS

All Resistors	RS1/10S□□□J
---------------	-------------

OTHERS

CN103	FJ CONNECTOR 4P	04P-FJ
CN102	KR CONNECTOR	B2B-PH-K-S
	REMOTE RECEIVER UNIT	GP1U28X
V101	FL TUBE	VAW1046
J1	EARTH CABLE	VDA1654
	SPACER	VEC1599
CN101	14P CONNECTOR	VKN1274
	HOLDER	VNF1087
X101	CERAMIC RESONATOR(5MHz)	VSS1104

DVL-909

Mark	No.	Description	Part No.
M PWSB ASSY			
SEMICONDUCTORS			
	Q201		PDTA124EK
	D201		SLP9118C51H
SWITCH			
	S201		RSG1030
RESISTORS			
	All Resistors		RS1/10S□□□J
OTHERS			
	CN201	FJ CONNECTOR 4P	04R-FJ

N DILB ASSY

OTHERS			
	CN301	KR CONNECTOR	B2B-PH-K-S
	PL301	LAMP	VEL1022

CLDGM ASSY

OTHERS			
		PC BOARD (CLDGM)	VNP1630

R POWER SUPPLY ASSY

SEMICONDUCTORS			
	IC301		AN1431T
	IC311	(SI-3050CA)	VZF1047
	IC411	(PQ3RD13)	VZF1048
	IC511		UPC358C
	Q101,Q150,Q151	FET(2SK2333)	VZF1056
	Q102		2SC3377
	Q211,Q212		T7F4T
	Q213,Q214,Q351		2SC1740S
	Q512,Q613,Q614		2SA933S
	Q611,Q612		T7F4S
	Q350		2SD2007
	Q511		2SD2395
	D101		D2SB60F4004
	D103		MTZJ2.7B
	D351		MTZJ2.7B
	D104		1SS270A
	D350,D512		1SS270A
	D106		RD18FB2
	D153,D220,D620	DIODE(D1N60)	VZF1045
	D200		PS2561L1-1VM
	D211,D611		31DF2 D712

Mark	No.	Description	Part No.
	D212		RD33FB2
	D213,D214,D612,D613		10ELS2MTZJ8.2B
	D711		10ELS2MTZJ8.2B
	D311	DIODE(F10P04Q)	VZF1052
	D511		S2LA20
	D713		MTZJ30A
OTHERS			
	F101	FUSE(3.15A/250V)	VEK1050
	P211,P611	FUSE(136°C)	VEK1033
	P213,P612	FUSE(1A/125V)	VEK1036
	P214,P511	FUSE(1.25A/60V)	VEK1045
	P311	FUSE(1A/60V)	VEK1041

I DVDM ASSY

SEMICONDUCTORS			
	IC171		BA10393F
	IC151		BA6797FP
	IC813		CY2081SL-611
	IC702		HM514800CJ-7
	IC101		LA9700M
	IC201		LC78650E-P
	IC802		MB811171622A-100FN
	IC801		MB86371
	IC815,IC816		MC14577CF
	IC271,IC302		NJM2100M
	IC203		NJM2107F
	IC901		PD2058A
	IC601		PD3381A
	IC701		PD4833A
	IC501		PD4889A
	IC602		PDK026A
	IC502		SRM2B256SLMX70
	IC401		TA78M08F
	IC202,IC204,IC206,IC902		TC4W53F
	IC604		TC551001BFL-85
	IC503		TC74HC573AF
	IC804		TC74HCT541AF
	IC303		TC74HCU04AF
	IC807,IC808		TC74LCX245FT
	IC821		TC74VHC00FT
	IC814,IC820		TC74VHC02FT
	IC505,IC605		TC74VHC139FT
	IC703		TC74VHC14FT
	IC504		TC74VHC20FT
	IC805,IC806,IC809		TC74VHC541FT
	IC506		TC74VHCT245AFT
	IC817		TC74VHCT541AFT

Mark	No.	Description	Part No.
	IC811,IC818,IC819		TC7SHU04F
	IC810		TC7WU04F
	IC301		TLC5540INS
	IC603		VKH1012
	IC6003		VYW1536
	Q401		2SB1260
	Q108		HN1K03FU
	Q455,Q831,Q832,Q851,Q852		IMT1A
	Q871,Q872		IMT1A
	Q103,Q402,Q403,Q873		IMX1
	Q102,Q104,Q291,Q301		IMZ1A
	Q106,Q603		PDTA114EK
	Q107,Q109,Q602		PDTC114EK
	Q601,Q771,Q772		PDTC114TK
	D301		KV1410
	D171,D172		MA152WK
	D601		RB501V-40

COILS AND FILTERS

F771,F778,F779	CHIP BEADS	DTF1067
F896	FERRITE CORE	VTF1077
F952	FERRITE CORE	VTF1080
F801	VIDEO FILTER	VTF1098
F401-F406	CHIP EMI FILTER	VTH1037
L301	(1.5μH)	VTL1059
L101,L302	(10μH)	VTL1061
L802,L803	(22μH)	VTL1067
L335,L340,L342	CHIP BEADS	VTL1074
L777,L780-L787,L895	CHIP BEADS	VTL1075
L897-L899	CHIP BEADS	VTL1075

CAPACITORS

C623		CCSRCH100D50
C152,C208,C291,C612,C613		CCSRCH101J50
C700,C735,C737,C739		CCSRCH101J50
C897,C898,C991		CCSRCH101J50
C111,C139,C215,C231,C232		CCSRCH151J50
C248		CCSRCH151J50
C125,C148,C329		CCSRCH180J50
C112,C118		CCSRCH220J50
C121,C130,C199,C319,C324		CCSRCH330J50
C120		CCSRCH331J50
C310,C323,C327		CCSRCH470J50
C230		CCSRCH471J50
C126,C331,C838		CCSRCH560J50
C127,C330,C863,C873,C882		CCSRCH5R0C50
C160		CCSRCH680J50
C401,C417,C892		CEHV470M10
C101,C104,C201,C325,C601		CEV101M6R3
C701,C704,C706,C801		CEV101M6R3
C803,C804,C813-C815,C826		CEV101M6R3
C901		CEV101M6R3
C123,C158,C412,C414		CEV220M16
C835,C895		CEV221M4

Mark	No.	Description	Part No.
	C131,C135,C205,C206,C301		CEV470M6R3
	C303,C404,C406,C408,C410		CEV470M6R3
	C501,C504,C832,C836,C841		CEV470M6R3
	C887		CEV470M6R3
	C211		CKSQYB104K25
	C109,C124,C216,C220,C229		CKSQYB105K10
	C234,C275,C308,C326		CKSQYB105K10
	C332,C333,C730,C731		CKSQYB105K10
	C416,C818,C823,C828		CKSQYF105Z16
	C213,C292,C309,C321		CKSRYB102K50
	C105,C106,C108,C146,C147		CKSRYB103K50
	C151,C154-C157,C161,C207		CKSRYB103K50
	C217,C221,C247,C276,C318		CKSRYB103K50
	C320,C620,C705,C722,C772		CKSRYB103K50
	C859		CKSRYB103K50
	C143,C162-C165,C223,C224		CKSRYB104K16
	C242,C273,C274,C311,C312		CKSRYB104K16
	C315		CKSRYB104K16

C141,C271		CKSRYB222K50
C328		CKSRYB223K25
C122		CKSRYB473K16
C102,C103,C113,C129		CKSRYF104Z16
C132-C134,C136,C137,C159		CKSRYF104Z16
C166,C191,C202-C204,C209		CKSRYF104Z16
C214,C218,C219,C222		CKSRYF104Z16
C226-C228,C235,C237,C241		CKSRYF104Z16
C246,C302,C304,C305,C317		CKSRYF104Z16
C322,C402,C403,C405,C407		CKSRYF104Z16
C409,C411,C413,C415		CKSRYF104Z16
C502,C503,C505-C509		CKSRYF104Z16
C602-C611,C614,C615,C617		CKSRYF104Z16
C621,C622,C702,C703		CKSRYF104Z16
C707-C721,C723,C732-C734		CKSRYF104Z16

C736,C738,C740-C742,C771		CKSRYF104Z16
C791,C800,C802,C805-C812		CKSRYF104Z16
C816,C817,C819-C822		CKSRYF104Z16
C824,C825,C827,C829,C830		CKSRYF104Z16
C833,C834,C837,C839,C840		CKSRYF104Z16
C842-C848,C861,C862,C867		CKSRYF104Z16
C871,C872,C876,C878,C881		CKSRYF104Z16
C883,C888-C890,C902-C905		CKSRYF104Z16
C911		CKSRYF104Z16
C852,C855,C857,C858 (2.2μF)		VCG1030
C922-C924 (2.2μF)		VCG1030
VC301 (40pF)		VCM1010

RESISTORS

R507,R508,R624,R628,R633		RA4C103J
R703,R704,R717,R718		RA4C103J
R745,R746,R761,R762,R792		RA4C103J
R812,R813		RA4C103J
R137,R501,R502,R505,R506		RA4C220J
R604-R607,R712,R713,R719		RA4C220J
R724,R748,R749,R791		RA4C220J

DVL-909

Mark	No.	Description	Part No.
	R802,R803,R808,R901,R905 R907,R909,R910,R912,R913 R916-R919		RA4C220J RA4C220J RA4C220J
	R602,R603,R610,R613,R618 R101,R11-R14,R141 R15-R17,R171,R18 R201-R203,R300,R319,R333 R411-R413,R701,R775,R776		RA4C470J RS1/10S0R0J RS1/10S0R0J RS1/10S0R0J RS1/10S0R0J
	R891,R893,R902,R908,R961 R205 R835,R839,R855,R859,R875 R881 R834,R854,R874		RS1/10S0R0J RS1/10S101J RS1/16S1001F RS1/16S1001F RS1/16S1201F
	R823-R825 R117,R118 R126 R241,R247 R110,R153,R155,R168,R169		RS1/16S1500F RS1/16S1501F RS1/16S1502F RS1/16S2202F RS1/16S2702F
	R173,R174,R213,R228,R229 R248 R152,R156,R158-R164,R167 R170,R172,R175,R194,R227 VR801 (1kΩ)		RS1/16S2702F RS1/16S2702F RS1/16S4702F RS1/16S4702F VCP1125
	Other Resistors		RS1/16S□□□J

OTHERS

CN903	PH CONNECTOR	S13B-PH-SM3
CN101	PH CONNECTOR	S14B-PH-SM3
CN801	PH CONNECTOR	S4B-PH-SM3
TP100,TP200,TP300,TP400	CHECKER-CHIP	VKF1001
CN201	14P CONNECTOR	VKN1324
CN106	7P FFC CONNECTOR	VKN1411
CN105	14P FFC CONNECTOR	VKN1418
CN901,CN902	22P FFC CONNECTOR	VKN1426
CN103	26P FFC CONNECTOR	VKN1430
KN1-KN3	EARTH METAL FITTING LABEL	VNF1109 VRW1634
X602	CERAMIC RESONATOR(20MHz)	VSS1114
X501	CERAMIC RESONATOR(10MHz)	VSS1115
X901	CERAMIC RESONATOR(24MHz)	VSS1118

J CLDM ASSY (VWS1332)

SEMICONDUCTORS

IC761	BA10393F
IC251,IC680,IC905,IC906	BA4560F
IC171,IC803	LA6510
IC400	LA7134M
IC801	LA9425
IC901	LA9430M
IC908	LC78625E
IC182,IC183	MM6558XF
IC221	NJM78L08A
IC222	NJM79L08A

Mark	No.	Description	Part No.
	IC351		PA0061AM
	IC202		PD0236AM
	IC101		PD0261A2
	IC201		PD2029AM(L)
	IC500		PD6159B
	IC902		TA8410AK
	IC181,IC410,IC762,IC907		TC4W53F
	IC203		TC74HC157AF
	IC620		TC74HC4053AF
	IC205,IC206		TC7S02F
	IC102		TC7S32F
	IC209,IC550		TC7SU04F
	IC650		TC7W00F
	IC204,IC208		TC7WU04F
	Q121,Q182,Q351,Q353,Q354		2PB709A
	Q356,Q411,Q451,Q456,Q461		2PB709A
	Q482,Q484,Q485,Q580,Q645		2PB709A
	Q672		2PB709A
	Q269,Q270,Q391-Q393,Q401		2PD601A
	Q425,Q441,Q481,Q486,Q626		2PD601A
	Q631,Q632,Q636,Q646,Q647		2PD601A
	Q655-Q658,Q661,Q662,Q671		2PD601A
	Q803,Q811,Q903-Q906		2PD601A
	Q834		2SA854S
	Q141		2SA933S
	Q152		2SC3082K
	Q261,Q262		2SD2114K
	Q211-Q214,Q217,Q357,Q358		PDTA124EK
	Q394,Q466,Q467,Q483,Q651		PDTA124EK
	Q981		PDTA124EK
	Q122,Q142,Q143,Q181		PDTC124EK
	Q215,Q216,Q652,Q901,Q908		PDTC124EK
	D215		DAN202K
	D221		EC10QS04
	D311,D505,D510		KV1851
	D101,D141,D181,D480,D650		MA111
	D655,D902,D981		MA111
	D355,D356		MA152WA
	D115,D142,D143		UDZS5.1B

COILS AND FILTERS

F590	DTF1069
L9231,L9232,L9584	DTL1028
L413,L414	LAU120J
L401	LAU121J
L482	LAU180J
L352,L821-L823	LAU181J
L201,L209,L251,L252	LAU220J
L311,L312,L351,L461	LAU220J
L831,L832	LAU220J
L412,L587	LAU270J
L431,L484	LAU330J
L432	LAU390J
L433,L575	LAU430J
L411	LAU470J
L671	LAU4R7J

DVL-909

Mark	No.	Description	Part No.
	C377,C378,C908,C909		CKSQYF224Z25

C154,C156,C174,C312,C460	CKSQYF473Z50
C826,C828	CKSQYF473Z50
C265,C266	CQMBA332J50
VC301 (20pF)	VCM1008

RESISTORS

R753	RA4C221J
R203,R752	RA4C471J
R591,R592	RA4C681J
R833,R834,R837,R839	RN1/10SE1002D
R891,R892	RN1/10SE1002D

R152,R156	RN1/10SE1003D
R532	RN1/10SE1100D
R425	RN1/10SE1202D
R531	RN1/10SE1800D
R631	RN1/10SE2001D

R635	RN1/10SE2701D
R151,R618,R893,R894	RN1/10SE3302D
R153,R154,R259-R262	RN1/10SE4702D
R653	RN1/10SE5601D
R650	RN1/10SE6800D

VR450 (2.2kΩ)	PCP1025
VR603 (4.7kΩ)	PCP1028
VR604,VR607,VR609 (47kΩ)	PCP1031
Other Resistors	RS1/10S□□□J

OTHERS

CN103,CN404	6P FFC CONNECTOR	52045-0645
CN102	10P FFC CONNECTOR	52045-1045
CN101	15P FFC CONNECTOR	52045-1545
CN802	11P CONNECTOR	B11P-SHF-1AA
CN403	KR CONNECTOR	B13B-PH-K-S

CN201	KR CONNECTOR	B4B-PH-K-S
CN202	KR CONNECTOR	B7B-PH-K-S
	SCREW	BBZ30P060FCC
CN402	14P CONNECTOR	BTFN14S-3SB7
CN401	20P CONNECTOR	BTFN20S-3SB7

JA252	2P PIN JACK	PKB1024
JA101,JA102	JACK	RKN1004
	PCB BINDER	VEF1040
	64P IC SOCKET	VKH1004
CN111,CN122	22P FFC CONNECTOR	VKN1253

CN801	27P FFC CONNECTOR	VKN1258
	SCREW PLATE	VNE1948
S102	SLIDE SWITCH	VSH1020
X101	CERAMIC RESONATOR(9MHz)	VSS1040
X311	CRYSTAL RESONATOR(16MHz)	VSS1081

X505	CRYSTAL RESONATOR(14MHz)	VSS1103
X312	CRYSTAL RESONATOR (18.432MHz)	VSS1116
X510	CRYSTAL RESONATOR(15MHz)	VSS1125

Mark	No.	Description	Part No.
------	-----	-------------	----------

J CLDM ASSY (VWS1331)

SEMICONDUCTORS

IC761	BA10393F
IC251,IC680,IC905,IC906	BA4560F
IC352	CA0002AM
IC171,IC803	LA6510
IC400	LA7134M

IC801	LA9425
IC901	LA9430M
IC908	LC78625E
IC182,IC183	MM6558XF
IC221	NJM78L08A

▲

▲

IC222	NJM79L08A
IC101	PD0260A2
IC201	PD2029AM(L)
IC500	PD6159B
IC902	TA8410AK

IC181,IC762,IC907	TC4W53F
IC203	TC74HC157AF
IC205,IC206	TC7S02F
IC102	TC7S32F
IC209,IC550	TC7SU04F

IC204,IC208	TC7WU04F
Q121,Q182,Q482,Q580	2PB709A
Q269,Q270,Q391-Q393,Q401	2PD601A
Q441,Q481,Q803,Q811	2PD601A
Q903-Q906	2PD601A

Q834	2SA854S
Q152	2SC3082K
Q261,Q262	2SD2114K
Q211-Q214,Q217,Q394,Q981	PDTA124EK
Q122,Q181,Q215,Q216,Q901	PDTC124EK

Q908	PDTC124EK
D215	DAN202K
D221	EC10QS04
D311,D505	KV1851

D101,D181,D902,D981	MA111
D115	UDZS5.1B

SWITCH

S102	VSH1020
------	---------

COILS AND FILTERS

F590	CHIP BEADS	DTF1067
L9231,L9232,L9584	CHIP INPEDER	DTL1028
L413		LAU100J
L401		LAU101J
L352,L821-L823		LAU181J

L201,L251,L252		LAU220J
L311,L312,L351,L412,L461		LAU220J
L482,L831,L832		LAU220J
L411,L587		LAU270J

Mark	No.	Description	Part No.
	L431,L432,L575		LAU430J
	L462		LAU560J
	L414		LAU8R2J
	L463		LFA561J
	F573	14.3MHz FILTER	VTF1099
	L403,L404	(22μH)	VTL1058
	L223,L230	CHIP BEADS	VTL1098

CAPACITORS

C229,C417,C418,C421,C434 C543,C577	CCSQCH100D50
C353,C821,C837-C839,C843 C864,C865	CCSQCH101J50
C921,C943	CCSQCH102J50
C432,C436,C483 C412	CCSQCH120J50
C408,C414,C484,C569 C355,C823,C901	CCSQCH121J50
C313,C352	CCSQCH150J50
	CCSQCH151J50
	CCSQCH180J50
C205,C509,C824,C973 C413,C555	CCSQCH220J50
C550	CCSQCH221J50
C230,C354,C411,C416,C431 C830	CCSQCH240J50
	CCSQCH270J50
	CCSQCH270J50
C104,C105,C356,C433,C451 C579,C596	CCSQCH330J50
C351,C407,C485	CCSQCH330J50
C9244	CCSQCH390J50
C217,C222,C257-C260,C405	CCSQCH391J50
	CCSQCH470J50
C461,C590	CCSQCH470J50
C925	CCSQCH471J50
C941	CCSQCH561J50
C597	CCSQCH5R0C50
C358,C598,C806	CCSQCH680J50
C920	CCSQCH681J50
C435,C822,C829	CCSQCH7R0D50
C255,C256,C357,C825	CCSQCH820J50
C459,C462	CCSQCH910J50
C123	CCSQSL102J50
C986	CEANP3R3M50
C187,C441,C856	CEANP470M6R3
C221,C394,C975	CEAT100M50
C391,C437,C832,C834,C884	CEAT101M10
C269,C270,C867,C929	CEAT1R0M50
C927,C928,C931,C981,C982	CEAT220M50
C102,C202,C223,C224	CEAT470M16
C316,C317,C382,C390,C802	CEAT470M16
C804,C842,C852,C854	CEAT470M16
C859,C860	CEAT470M16
C253,C254	CEAT471M6R3
C984	CEAT4R7M50
C383,C922	CEATR47M50
C261-C264	CEGA470M25
C936,C940	CEJA101M6R3

Mark	No.	Description	Part No.
	C902		CEJA220M50
	C863,C934		CEJA2R2M50
	C862		CEJA4R7M50
	C439		CEV100M16
	C471,C473,C475,C507,C531		CEV101M6R3
	C535,C537,C539,C541,C561 C571,C581,C591,C593		CEV101M6R3
	C477		CEV101M6R3
	C478		CFTLA154J50
	C425,C910		CFTLA683J50
			CKSQYB102K50
	C845,C881,C917,C942		CKSQYB104K25
	C511,C933		CKSQYB105K10
	C923		CKSQYB153K25
	C911		CKSQYB154K16
	C903		CKSQYB222K50
	C379,C380		CKSQYB392K50
	C373-C376,C388,C912,C932		CKSQYB472K50
	C963		CKSQYB473K25
	C763		CKSQYB682K50
	C106-C112,C117,C121,C124		CKSQYF103Z50
	C153,C155,C173,C181		CKSQYF103Z50
	C183,C184,C188,C189,C201		CKSQYF103Z50
	C203,C206,C210,C216		CKSQYF103Z50
	C251,C252,C281-C283,C311		CKSQYF103Z50
	C315,C318,C319,C361,C362		CKSQYF103Z50
	C381,C386,C389,C422,C442		CKSQYF103Z50
	C510,C558,C575,C576,C580		CKSQYF103Z50
	C583,C587,C761,C762,C801		CKSQYF103Z50
	C803,C811,C831,C833,C836		CKSQYF103Z50
	C841,C846,C851,C853,C861		CKSQYF103Z50
	C882,C883,C885,C924,C935		CKSQYF103Z50
	C937,C939,C945-C947,C962		CKSQYF103Z50
	C974,C983		CKSQYF103Z50
	C101,C103,C122,C151,C152		CKSQYF104Z25
	C171,C172,C182,C199,C218		CKSQYF104Z25
	C267,C268,C385,C387,C392		CKSQYF104Z25
	C402,C404,C419,C430,C438		CKSQYF104Z25
	C440,C445,C447,C472,C474		CKSQYF104Z25
	C476,C508,C524,C532,C536		CKSQYF104Z25
	C538,C540,C542,C556,C557		CKSQYF104Z25
	C562,C572,C582,C586,C589		CKSQYF104Z25
	C592,C594,C681-C683,C764		CKSQYF104Z25
	C805,C847,C857,C858,C866		CKSQYF104Z25
	C913,C914,C919,C971,C972 C976		CKSQYF104Z25
	C186,C685,C855,C926,C930 C938		CKSQYF223Z50
	C377,C378,C908,C909		CKSQYF223Z50
	C154,C156,C174,C312,C460		CKSQYF224Z25
	C826,C828		CKSQYF473Z50
	C265,C266		CKSQYF473Z50
	VC301 (20pF)		CQMB332J50
			VCM1008

DVL-909

Mark No.	Description	Part No.
RESISTORS		
R751,R203		RA4C0R0J
R753		RA4C221J
R591,R592,R752		RA4C471J
R425,R833,R834,R837,R839		RN1/10SE1002D
R891,R892		RN1/10SE1002D
R152,R156		RN1/10SE1003D
R532		RN1/10SE1100D
R531		RN1/10SE1800D
R151,R893,R894		RN1/10SE3302D
R153,R154,R259-R262		RN1/10SE4702D
VR450 (2.2kΩ)		PCP1025
VR603 (4.7kΩ)		PCP1028
VR604,VR607,VR609 (47kΩ)		PCP1031
Other Resistors		RS1/10S□□□J

OTHERS

CN103	6P FFC CONNECTOR	52045-0645
CN102	10P FFC CONNECTOR	52045-1045
CN101	15P FFC CONNECTOR	52045-1545
CN802	11P CONNECTOR	B11P-SHF-1AA
CN201	KR CONNECTOR	B4B-PH-K-S
CN202	KR CONNECTOR SCREW	B7B-PH-K-S BBZ30P060FCC
CN402	16P CONNECTOR	BTFN16S-3SB7
CN401	20P CONNECTOR	BTFN20S-3SB7
JA101,JA102	JACK	RKN1004
	PCB BINDER	VEF1040
JA252	4P JACK	VKB1065
	64P SHRINK IC SOCKET	VKH1004
CN111,CN122	22P FFC CONNECTOR	VKN1253
CN801	27P FFC CONNECTOR	VKN1258
	SCREW PLATE	VNE1948
X101	CERAMIC RESONATOR(9MHz)	VSS1040
X311	CRYSTAL RESONATOR(16MHz)	VSS1081
X505	CRYSTAL RESONATOR(14MHz)	VSS1103
X312	CRYSTAL RESONATOR (18.432MHz)	VSS1116

P MYCB ASSY

SEMICONDUCTORS

IC301		CXD2046Q
IC102,IC103		MB81C1501PF
IC101		PD3212A
IC620		TC74HC4053AF
IC650		TC7W00F
Q402,Q404,Q407,Q411,Q414		2PB709A
Q645,Q672		2PB709A
Q401,Q403,Q412,Q413,Q626		2PD601A
Q636,Q646,Q647,Q655-Q658		2PD601A
Q661,Q662,Q671		2PD601A
Q408-Q410,Q415,Q416		2SC1740S
Q417,Q420,Q651		PDTA124EK
Q418,Q419,Q652,Q681		PDTC124EK

Mark No.	Description	Part No.
D650,D655,D699		MA111

COILS AND FILTERS

F101	CHIP BEADS	DTF1067
L145	CHIP INPEDER	DTL1028
L401-L403		LAU220J
L671		LAU4R7J

CAPACITORS

C433		CCSQCH100D50
C655		CCSQCH101J50
C401,C404		CCSQCH220J50
C672		CCSQCH390J50
C671		CCSQCH391J50
C121,C405		CCSQCH470J50
C403		CCSQCH560J50
C402		CCSQCH6R0D50
C411		CCSQCH910J50
C656		CEANP100M16
C629,C639		CEANP220M10
C101,C103,C109,C111,C113		CEAT101M10
C115,C212,C214,C216,C301		CEAT101M10
C305,C309,C311,C317,C319		CEAT101M10
C323,C422,C424,C426,C429		CEAT101M10
C462,C601,C603,C635		CEAT101M10
C431,C434		CEAT221M6R3
C436,C438		CEJA101M6R3
C303		CKSQYB102K50
C620,C632		CKSQYB104K25
C102,C104,C110,C112,C114		CKSQYF104Z25
C116-C118,C213,C215,C217		CKSQYF104Z25
C302,C304,C306-C308,C310		CKSQYF104Z25
C312-C316,C318,C320-C322		CKSQYF104Z25
C406,C407,C413,C414,C423		CKSQYF104Z25
C425,C427,C428,C430,C432		CKSQYF104Z25
C435,C437,C439,C442,C460		CKSQYF104Z25
C463,C602,C604,C622		CKSQYF104Z25
C626-C628,C630,C631		CKSQYF104Z25
C633,C634,C636,C638,C660		CKSQYF104Z25

RESISTORS

R424		RN1/10SE1801D
R422		RN1/10SE2201D
R309		RN1/10SE2700D
R425		RN1/10SE2702D
R310,R420,R421		RN1/10SE3301D
R312,R426		RN1/10SE4701D
R311,R653		RN1/10SE5601D
R650		RN1/10SE6800D
VR301 (22kΩ)		PCP1030
Other Resistors		RS1/10S□□□J

OTHERS

CN602	10P FFC CONNECTOR	52045-1045
CN	4P MIN.DIN SOCKET	AKP7023
CN601	KR CONNECTOR	B13B-PH-K-S

Mark	No.	Description	Part No.
	CN101	CONNECTOR 16P	BTFN16P-3RD7
	CN102	CONNECTOR 20P	BTFN20P-3RD7
	J1	JUMPER WIRE	DB218NS0
	JA101	2P JACK	VKB1094

K JCKB ASSY

SEMICONDUCTORS

IC321,IC341 TC74HCU04AF

COILS

L321,L331,L341 LAU220J
 L323,L343 PULSE TRANSFORMER PTL1003
 L322,L342 FERRITE BEADS RTF1167

CAPACITORS

C332 CEAT101M10
 C322,C324,C342,C344 CEAT470M16
 C321,C323,C325,C331,C341 CKSQYF103Z50
 C343,C345 CKSQYF103Z50
 C326,C346 CKSQYF104Z25
 C393 CKSQYF224Z25

RESISTORS

All Resistors RS1/10S□□□J

OTHERS

CN321 KR CONNECTOR B7B-PH-K-S
 JA331 OPTICAL LINK OUT GP1F32T
 PCB BINDER VEF1040
 JA251,JA341 1P PIN JACK
 (FOR VWV1578) VKB1074
 (FOR VWV1579) VKB1077
 JA321 1P PIN JACK
 (FOR VWV1578) VKB1097
 (FOR VWV1579) PKB1028

Q SCR B ASSY

SEMICONDUCTORS

D101 1SS353
 D102,D103 UDZ5.6B

SWITCHES AND RELAYS

RY101-RY103 VSR-005

CAPACITORS

C101-C104 CCSQCH391J50
 C106,C108,C110,C112,C114 CKSQYB102K50
 C105,C107,C109,C111,C113 CKSQYF104Z25

Mark	No.	Description	Part No.
RESISTORS			
		All Resistors	RS1/10S□□□J

OTHERS

PCB BINDER VEF1040
 JA101 VKB1056
 EARTH PLATE VNF1097

O DMYC ASSY

SEMICONDUCTORS

IC801 BU4053BCF
 IC701 CXA1585Q
 IC702 CXA1645M
 IC301 CXD1171M
 IC201 CXD2024AQ

IC703 HD74HC4053FP
 IC102 HM530281RTT-25
 IC401 MM1093PF
 IC603 NJM082M
 IC991 NJM78M05FA

IC101 PD4596A
 IC831 TA7302P
 IC103,IC608 TC4W53F
 IC607 TC74HC221AF
 IC602 TC74HC4053AF

IC605 TC74HC74AF
 IC601 TC7S86F
 IC606 TC7SU04F
 IC604 TC7WU04F
 Q201,Q251,Q253,Q254,Q264 2PB709A

Q351,Q603-Q606,Q805,Q831 2PB709A
 Q834,Q843,Q853,Q864,Q881 2PB709A
 Q883-Q887,Q891 2PB709A
 Q231,Q232,Q241,Q252,Q261 2PD601A
 Q263,Q265,Q266,Q281-Q283 2PD601A

Q301,Q302,Q401,Q601,Q705 2PD601A
 Q801-Q803,Q806,Q808 2PD601A
 Q811,Q812,Q821,Q822,Q833 2PD601A
 Q841,Q842,Q851,Q852 2PD601A
 Q861-Q863,Q882,Q892 2PD601A

Q991 2SB1237X
 Q103,Q602,Q701,Q711,Q804 DTA124EK
 Q809,Q832,Q893,Q941 DTA124EK
 Q102,Q202,Q702,Q703 DTC124EK
 Q712,Q713,Q807,Q813,Q894 DTC124EK

Q942,Q992 DTC124EK
 D991 11EQS06
 D701,D702 1SS254
 D602,D711 DAP202K
 D992 S5566G(TPB2)

D601 SVC201SPA

DVL-909

Mark No.	Description	Part No.
COILS AND FILTERS		
L702	1H DELAY ADJUST COIL	DTL1001
L898		LAU100J
L299		LAU101J
L231,L232,L241,L242		LAU150J
L301,L302		LAU150J
L602		LAU1R0J
L351,L601,L802,L899		LAU220J
L403		LAU270J
L831,L881		LAU470J
L803		LAU820J
L701		LAU8R2J
L811		LFA220J
CAPACITORS		
C845		CCSQCH100D50
C745,C881		CCSQCH101J50
C829		CCSQCH120J50
C287,C840		CCSQCH150J50
C352		CCSQCH181J50
C351		CCSQCH200J50
C224,C231,C234,C242,C245		CCSQCH220J50
C310,C313		CCSQCH220J50
C627,C723,C872-C874,C899		CCSQCH221J50
C744		CCSQCH240J50
C882		CCSQCH270J50
C261,C415		CCSQCH330J50
C235,C246,C314,C765		CCSQCH390J50
C414		CCSQCH391J50
C402,C631,C632,C641,C827		CCSQCH470J50
C724		CCSQCH471J50
C624		CCSQCH4R0C50
C233,C244,C312,C620,C897		CCSQCH560J50
C413		CCSQCH561J50
C763		CCSQCH5R0C50
C232,C243,C311,C412		CCSQCH6R0D50
C628,C702		CEANP100M25
C606		CEANP1R0M50
C604		CEANP2R2M50
C770		CEAT100M50
C288,C983,C985		CEAT101M10
C713		CEAT1R0M50
C626,C714,C721		CEAT220M50
C262,C406		CEAT2R2M50
C834		CEAT330M16
C202,C217,C219,C221,C263		CEAT470M10
C267,C270,C291,C306,C401		CEAT470M10
C411,C607,C609,C611,C614		CEAT470M10
C619,C704,C732,C772,C783		CEAT470M10
C931,C935		CEAT470M10
C264,C281,C304,C717,C823		CEAT471M6R3
C842,C844,C989		CEAT471M6R3
C404,C408,C708,C710		CEAT4R7M50
C811		CEJA2R2M50

Mark No.	Description	Part No.
C766		CEJA470M10
C623		CFTLA334J50
C625,C718		CFTLA474J50
C201,C223		CKSQYB102K50
C191		CKSQYB104K25
C605		CKSQYB222K50
C204,C207,C403,C409,C410		CKSQYF103Z50
C602,C613,C615,C705-C707		CKSQYF103Z50
C716,C719,C720,C722,C767		CKSQYF103Z50
C771,C828,C830-C833,C988		CKSQYF103Z50
C991		CKSQYF103Z50
C102,C103,C203,C206,C209		CKSQYF104Z25
C211-C216,C218,C220,C222		CKSQYF104Z25
C236,C238,C241,C247		CKSQYF104Z25
C249,C250,C252,C265,C266		CKSQYF104Z25
C282,C292,C301-C303,C305		CKSQYF104Z25
C307-C309,C315,C316,C321		CKSQYF104Z25
C601,C603,C608,C610,C612		CKSQYF104Z25
C616,C618,C621,C629,C642		CKSQYF104Z25
C709,C731,C761,C762		CKSQYF104Z25
C768,C769,C812,C821,C822		CKSQYF104Z25
C824-C826,C835-C839,C841		CKSQYF104Z25
C843,C846-C848,C851,C853		CKSQYF104Z25
C861,C863,C865,C902,C904		CKSQYF104Z25
C932,C934,C936,C938,C984		CKSQYF104Z25
C986		CKSQYF104Z25
C699		CKSQYF104Z50
C22,C28,C3		CKSQYF473Z25
C407		CQMA102J50
C405,C701		CQMA103J50
C711,C712,C715		CQMA473J50
C903	(47 μ F/10V)	RCH1139
VC651	(20pF)	VCM-008
VC451	(45pF)	VCM1002
RESISTORS		
R854,R870,R871,R618		RN1/10SC75R0D
R287		RN1/10SE1001D
R731,R733		RN1/10SE1302D
R765		RN1/10SE1602D
R843		RN1/10SE1801D
R841		RN1/10SE2201D
R713,R732,R734,R844		RN1/10SE2702D
R826,R857		RN1/10SE3301D
R769		RN1/10SE3901D
R607,R845,R608		RN1/10SE4701D
R284		RN1/10SE5601D
R282,R285		RN1/10SE9100D
VR261	(1k Ω)	VCP1105
VR201,VR706,VR731,VR732	(2.2k Ω)	VCP1107
VR702	(4.7k Ω)	VCP1109
VR701	(10k Ω)	VCP1111
VR751,VR752	(22k Ω)	VCP1113
Other Resistors		RS1/10S□□□J

Mark No.	Description	Part No.
----------	-------------	----------

OTHERS

CN103	6P FFC CONNECTOR	52045-0645
JA903	1P PIN JACK	AKB7096
CN101	14P CONNECTOR	BTFN14P-3RD7
CN102	20P CONNECTOR	BTFN20P-3RD7
DL701	DELAY LINE	DTF1033
902	4P DIN SOCKET	VKN1078
	SCREW PLATE	VNE1948
X601	(17.734475MHz)	VSS1059
X401	(4.433619MHz)	VSS1090
X742	(4.433619MHz)	VSS1091
X741	(3.579545MHz)	VSS1092

S MSWB ASSY**CAPACITORS**

⚠ C1101	(4700pF/AC250V)	ACG7009
---------	-----------------	---------

OTHERS

⚠ S1101	PUSH SWITCH	ASG1006
---------	-------------	---------

6. ADJUSTMENT

6.1 ADJUSTMENT ITEMS AND LOCATION

■ Adjustment Items

[Mechanical Part]

CLD

- ① Tilt Offset Adjustment
- ② Tangential Direction Angle Adjustment for Side A
- ③ Spindle Motor Centering Adjustment for Side A
- ④ Crosstalk Check and Fine Tilt Offset Adjustment for Side A
- ⑤ Focus Servo Loop Gain Adjustment
- ⑥ Tracking Servo Loop Gain Adjustment
- ⑦ Tangential Direction Angle Adjustment for Side B
- ⑧ Spindle Motor Centering Adjustment for Side B
- ⑨ Crosstalk Check and Fine Tilt Offset Adjustment for Side B

DVD

- ⑩ RF MAX Adjustment
- ⑪ DVD Jitter Adjustment

[Electrical Part]

CLDM ASSY

- ① Video Level Adjustment
- ② 18MHz Master Clock Adjustment

DVDM ASSY

- ① VCO Offset Adjustment
- ② Video Output Level Adjustment

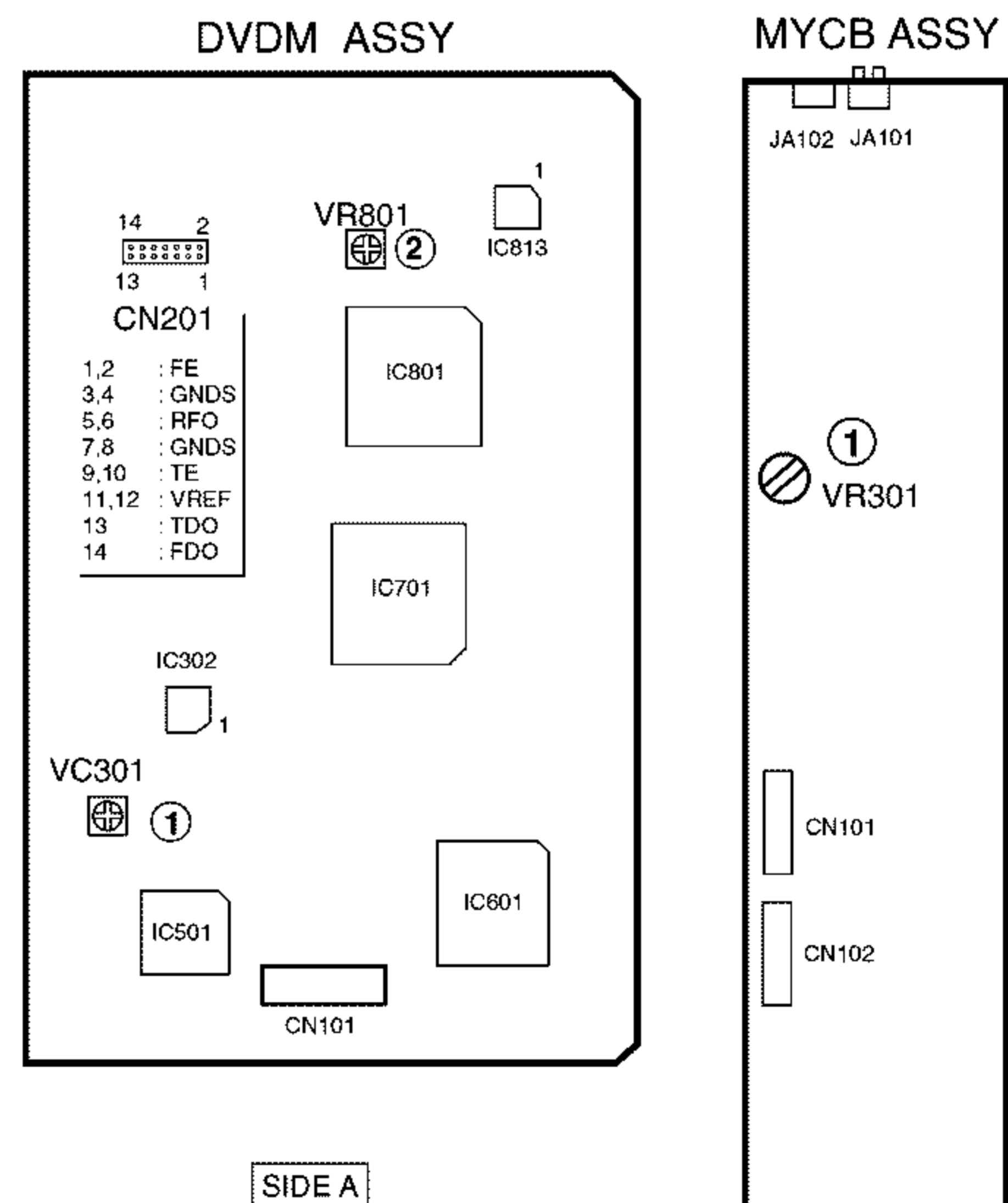
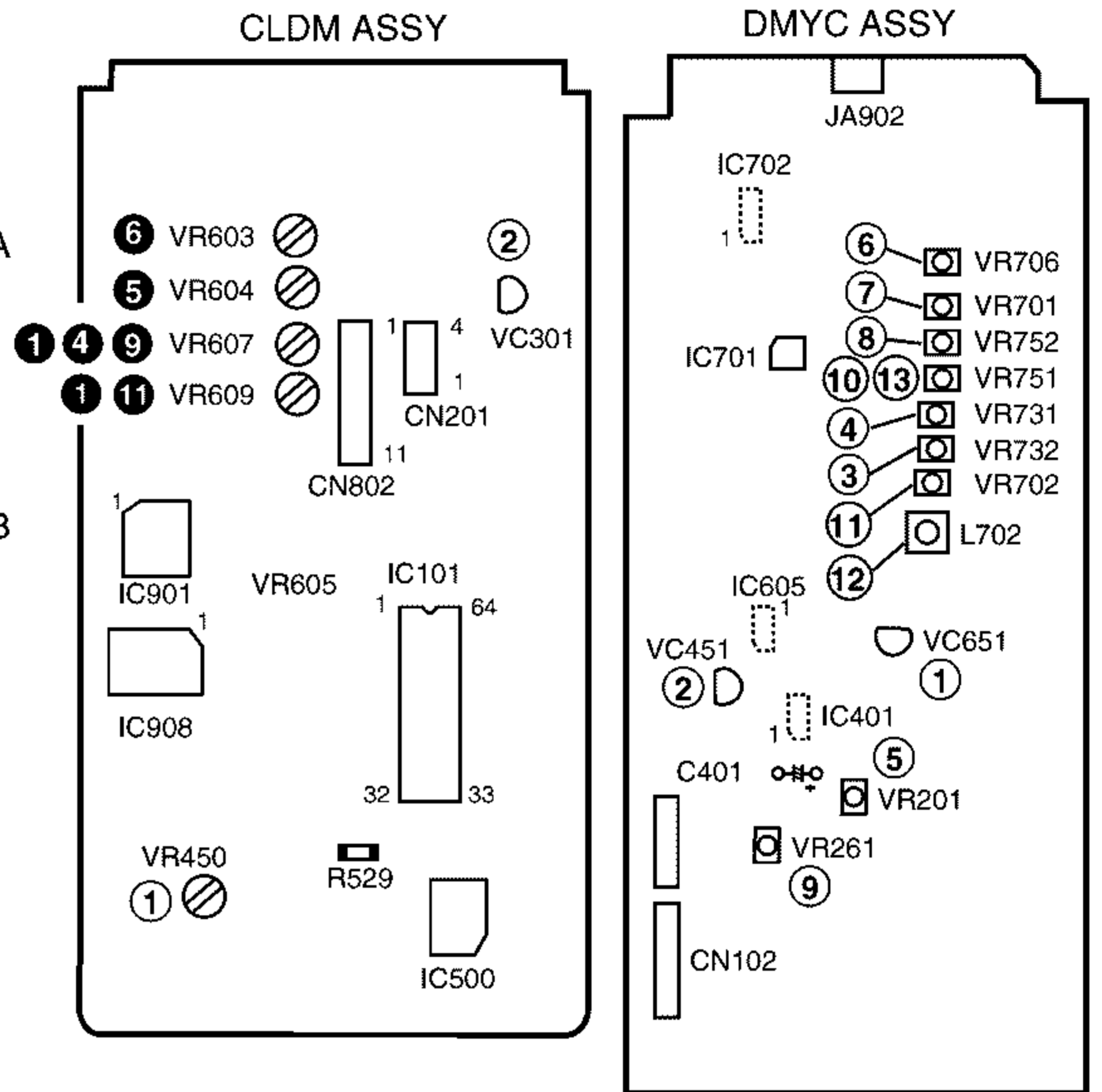
DMYC ASSY

- ① 17MHz Free-run Frequency Adjustment
- ② 4.43MHz Free-run Frequency Adjustment for Y/C Separation
- ③ PAL 4.43MHz Free-run Frequency Adjustment for RGB Decoder
- ④ NTSC 3.58MHz Free-run Frequency Adjustment for RGB Decoder
- ⑤ NTSC Y Level Adjustment
- ⑥ RGB Decoder Y Level Adjustment
- ⑦ RGB Decoder HUE Adjustment
- ⑧ RGB Decoder NTSC Chroma Level Adjustment
- ⑨ PAL Y Level Adjustment
- ⑩ Coarse RGB Decoder PAL Chroma Level Adjustment
- ⑪ RGB Decoder PAL Delay Line Amp Gain Adjustment
- ⑫ RGB Decoder PAL DAT Adjustment
- ⑬ Fine RGB Decoder PAL Chroma Level Adjustment

MYCB ASSY

- ① Y Output Level Adjustment

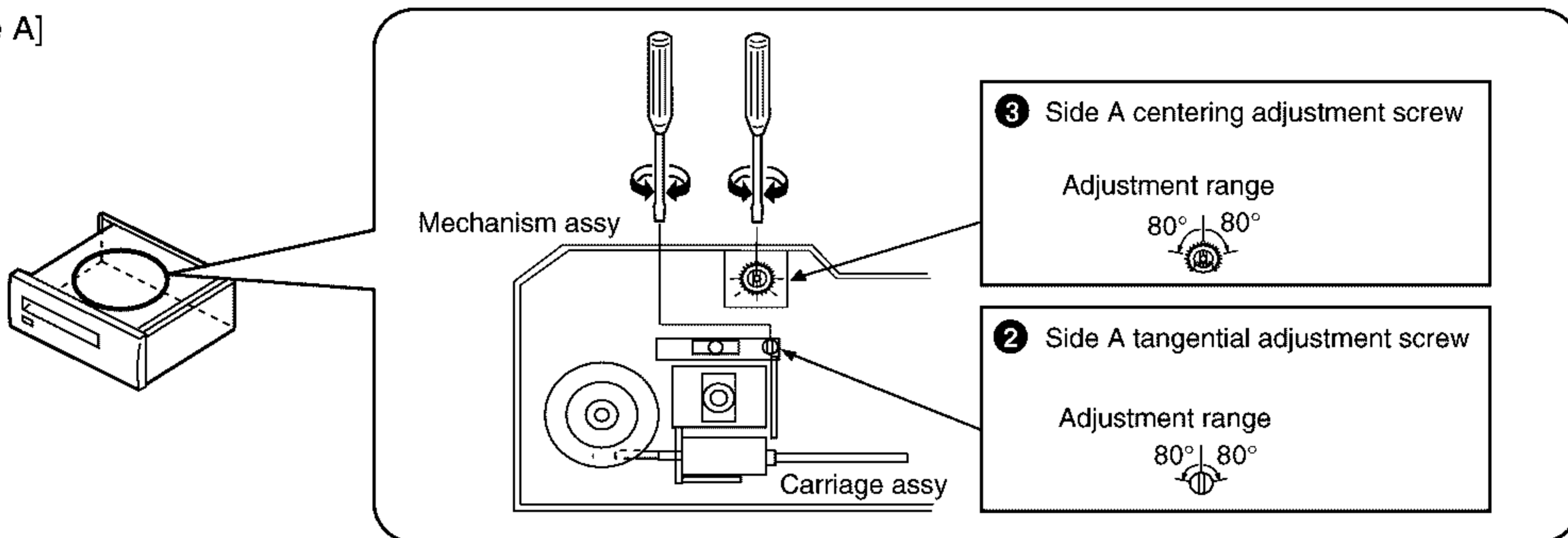
■ Adjustment Points (PCB Part)



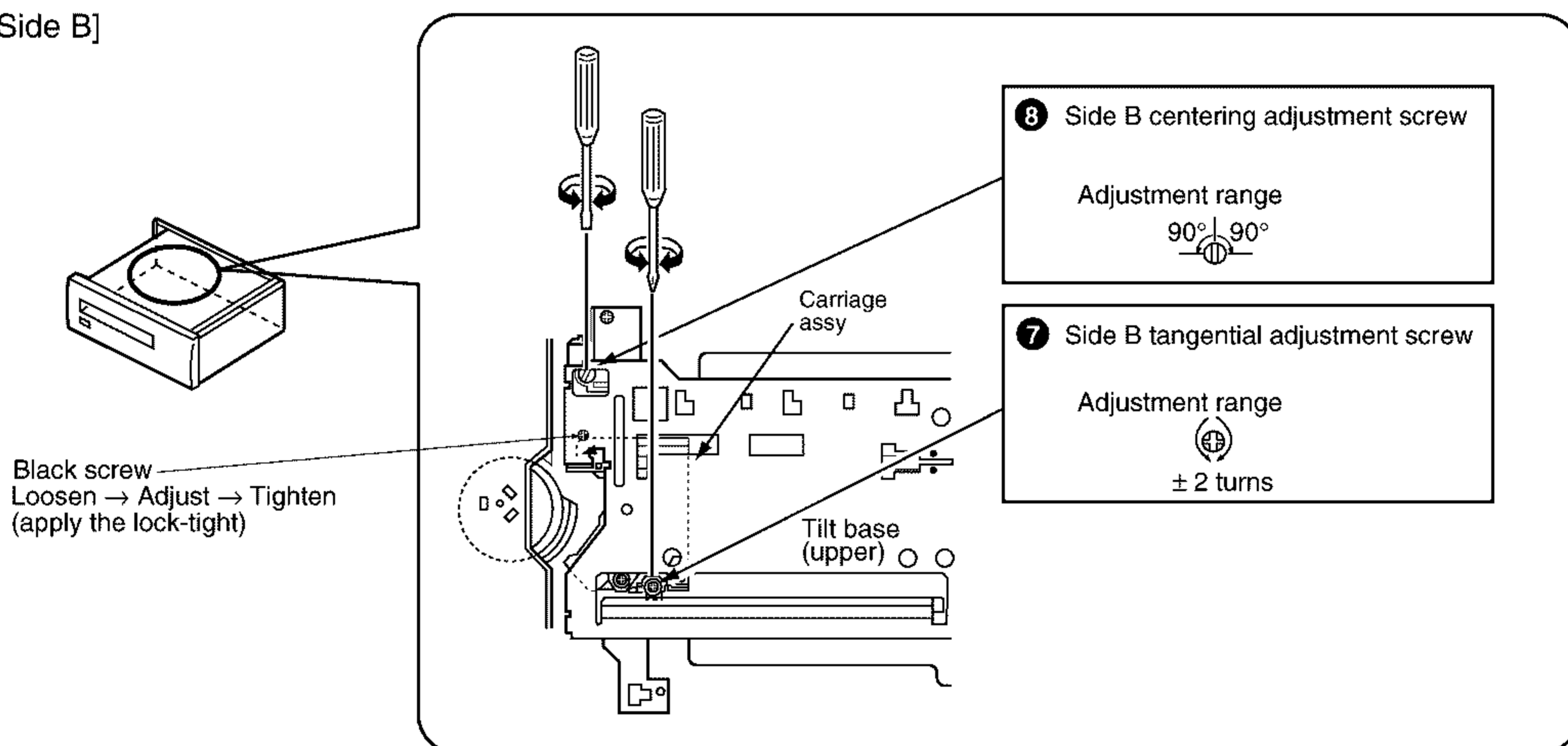
■ Adjustment Points (Mechanism Part)

CLD

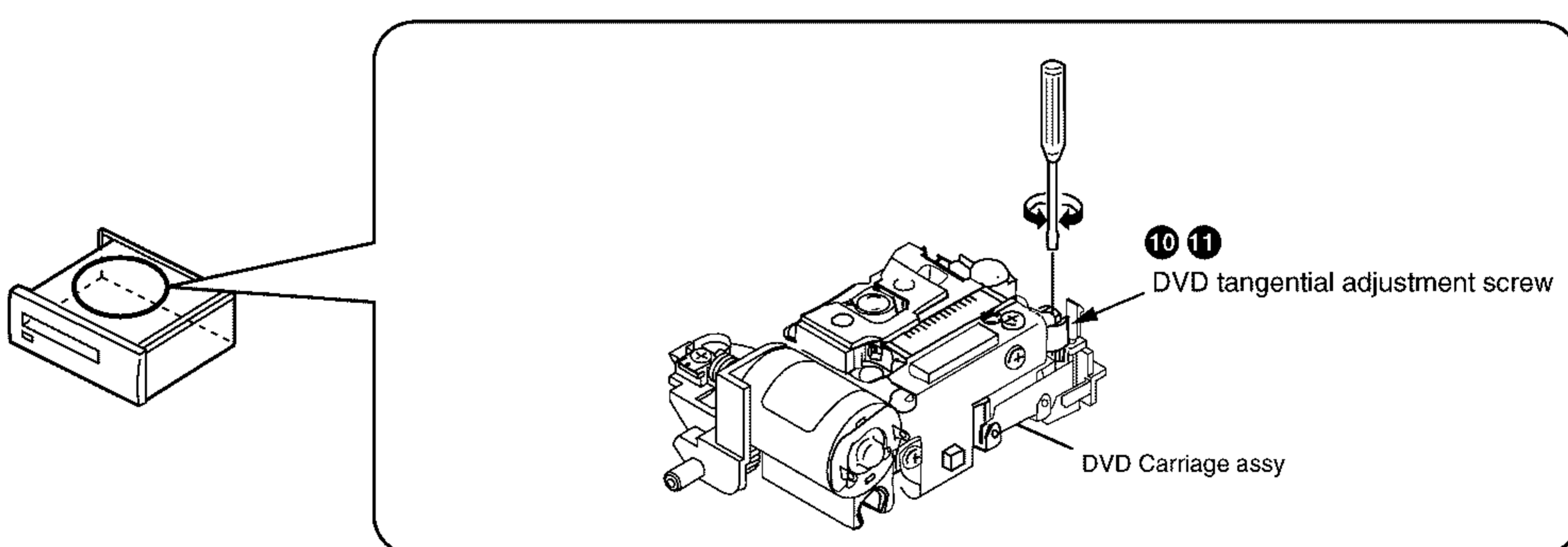
[Side A]



[Side B]


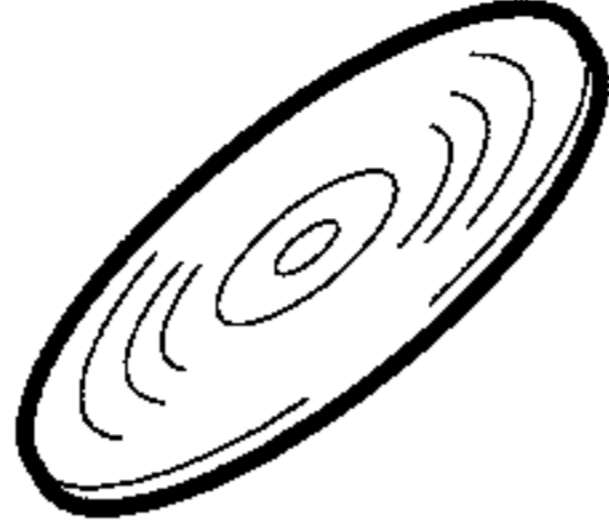



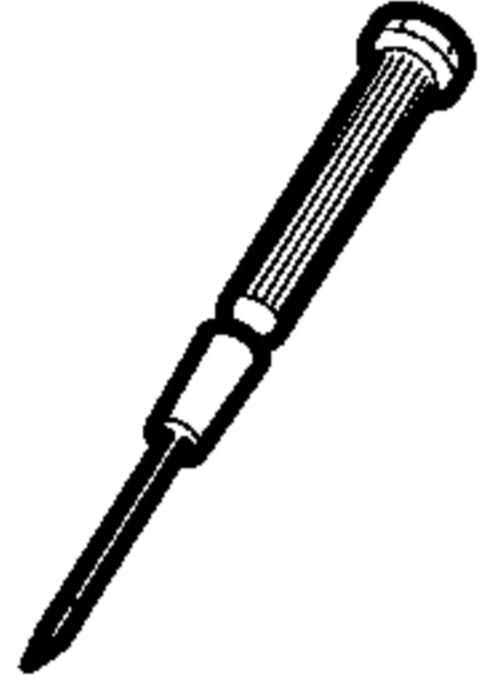
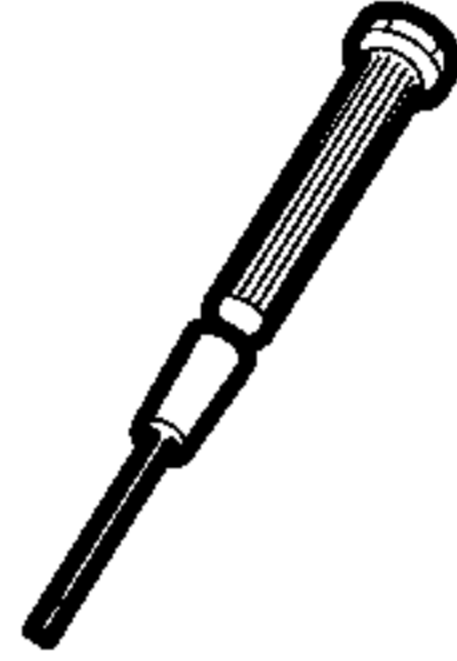

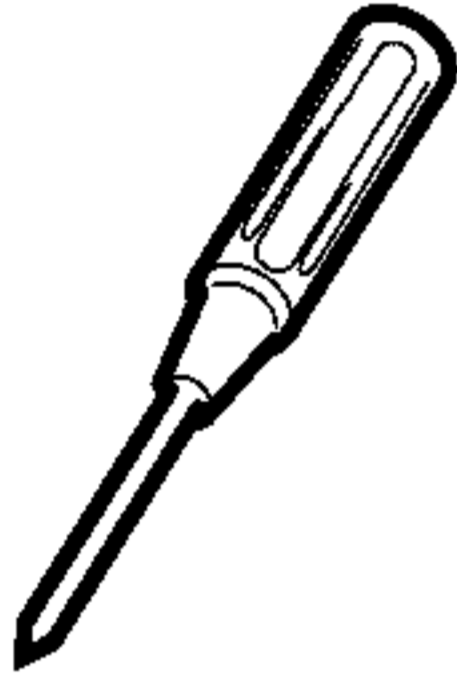
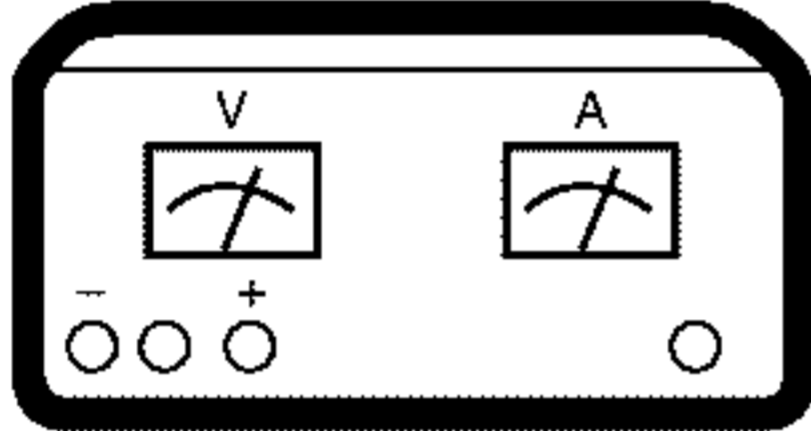
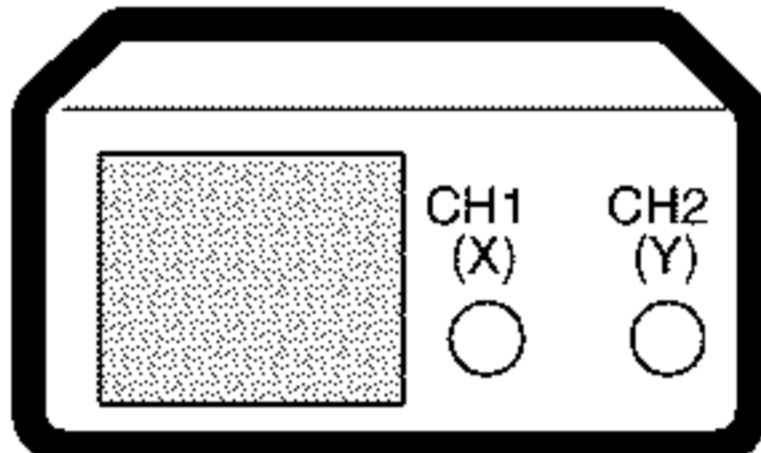
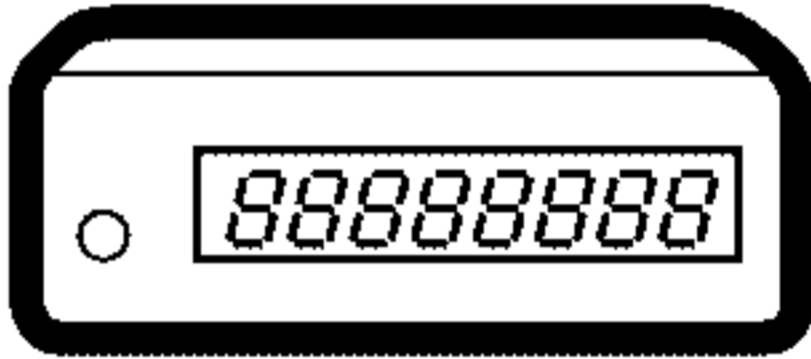
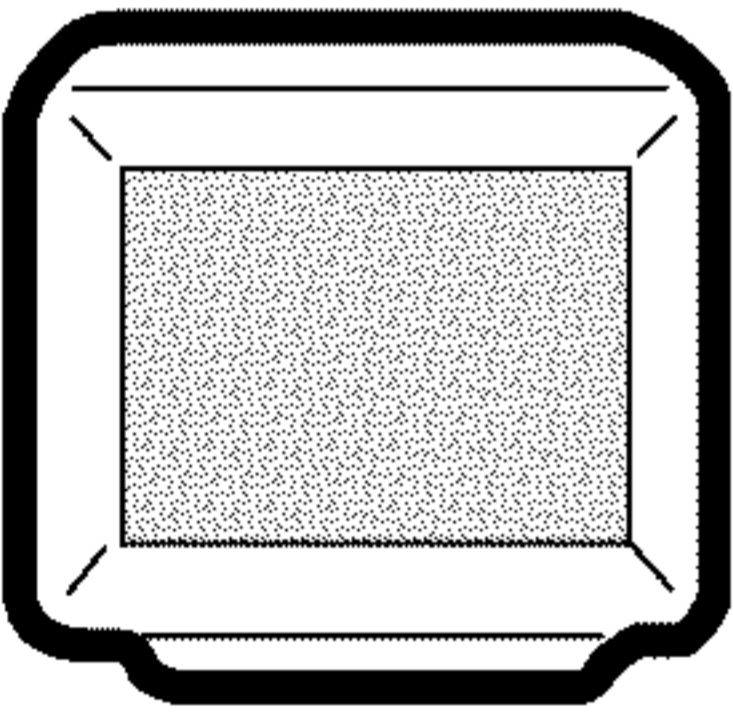
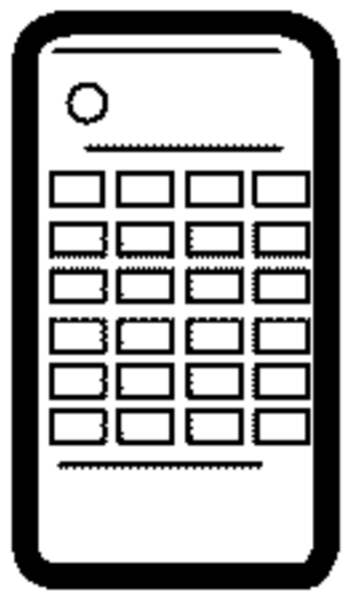
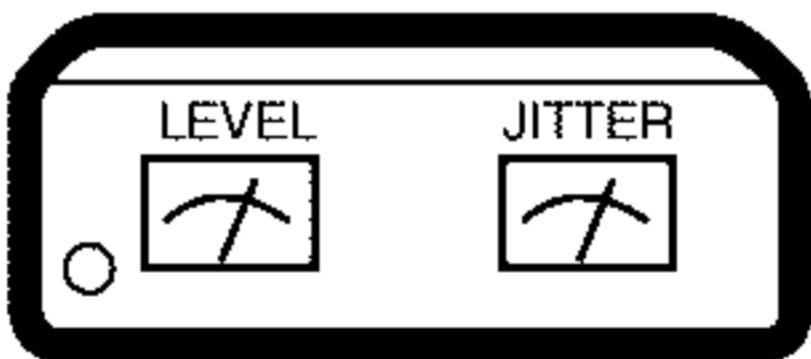

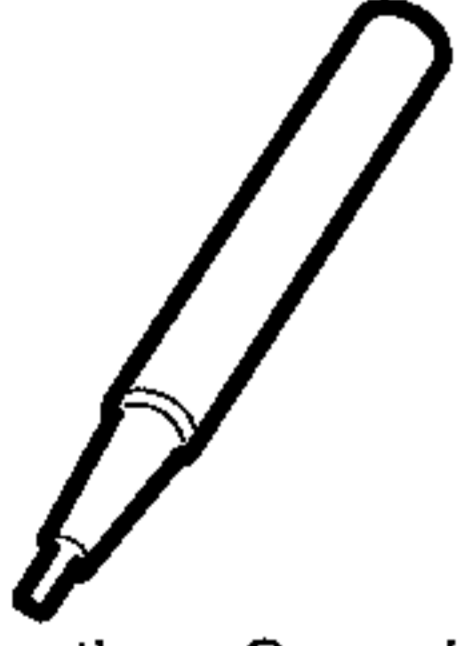


DVD



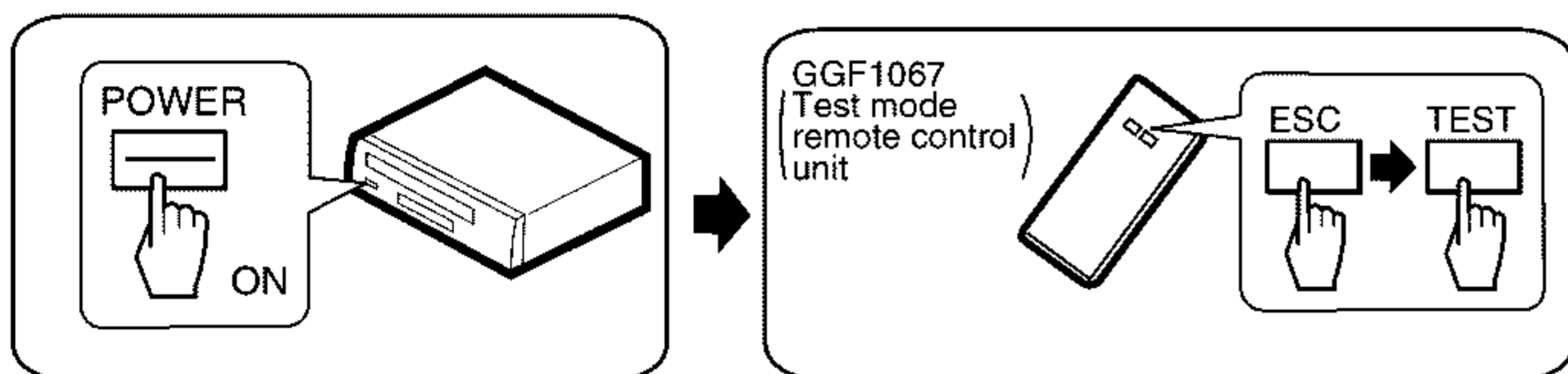
Note : Apply the lock-tight.

6.2 JIGS AND MEASURING INSTRUMENTS

 <p>CD test disc (YEDS-7)</p>	 <p>LD test disc (NTSC :GGV1012) (PAL :GGV1007)</p>	 <p>DVD test disc (DVD-MJK1)</p>	 <p>⊖ Screwdriver (medium)</p>
 <p>⊖ Screwdriver (small)</p>	 <p>⊕ Precise screwdriver</p>	 <p>⊖ Precise screwdriver</p>	 <p>⊕ Screwdriver (large)</p>
 <p>⊕ Screwdriver (medium)</p>	 <p>DC power supply</p>	 <p>Dual-trace oscilloscope (with delay) Frequency band $\geq 40\text{MHz}$</p>	 <p>Frequency counter Display digit $\geq 8\text{-digit}$</p>
 <p>TV monitor</p>	 <p>Test mode remote control unit (GGF1067)</p>	 <p>Jitter meter</p>	 <p>Equalizer unit</p>
 <p>Plastic or Ceramic ⊖ Screwdriver (small)</p>			

6.3 TEST MODE

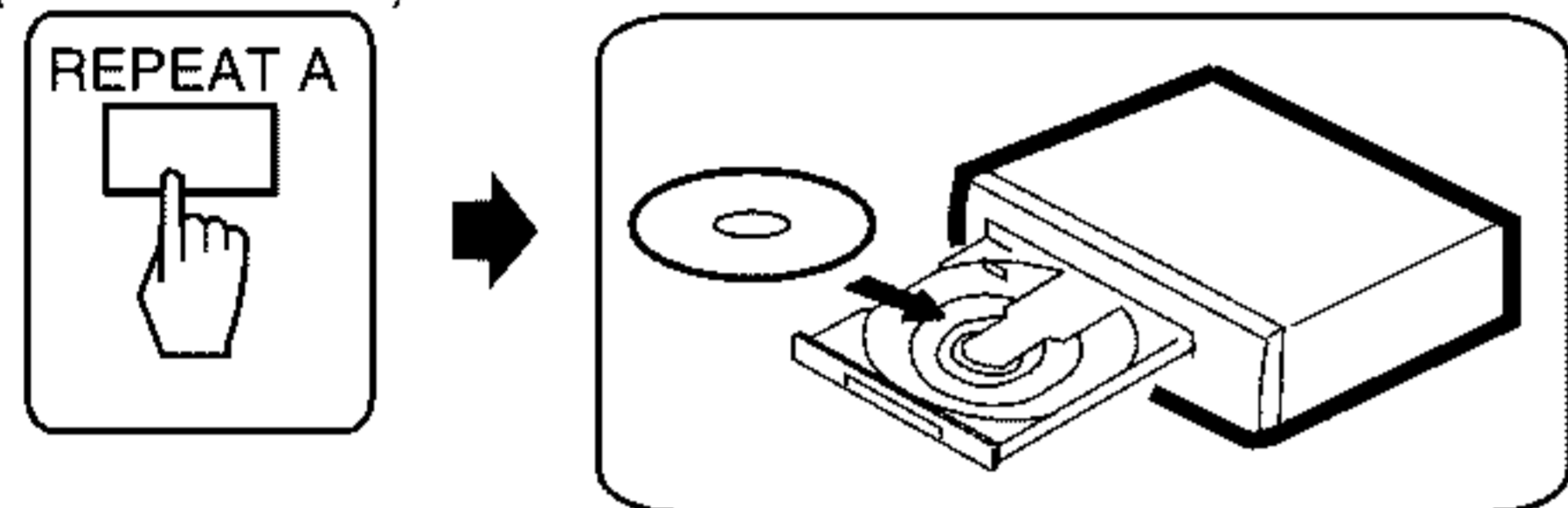
TEST MODE: ON



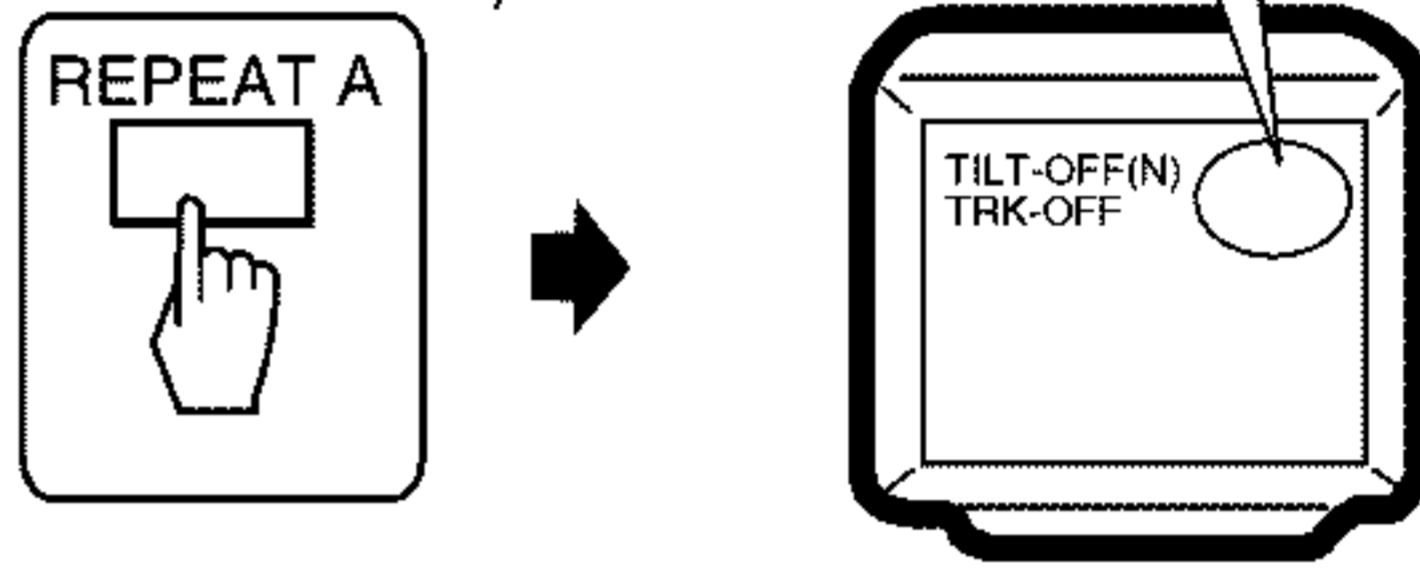
TEST MODE: DISC SET

• With TRAY

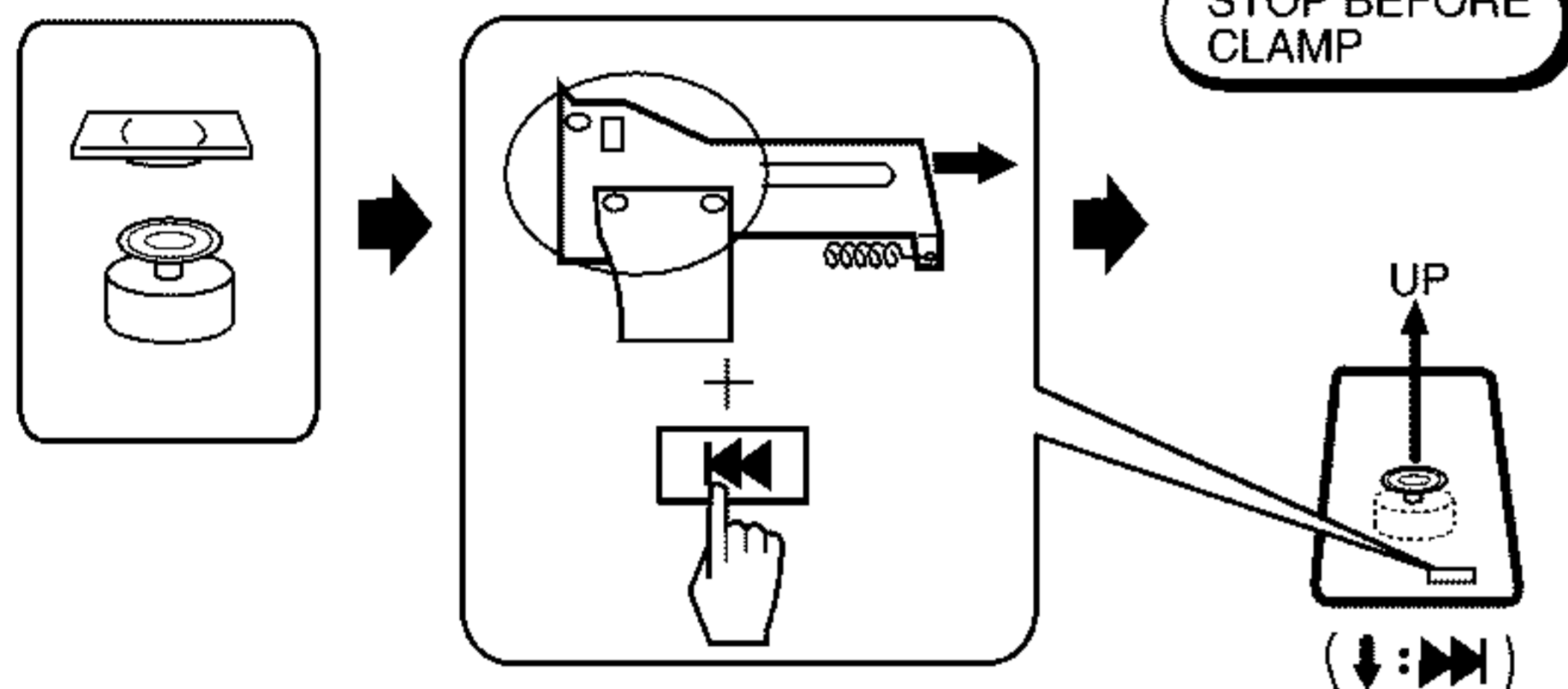
<TRAY OPEN>



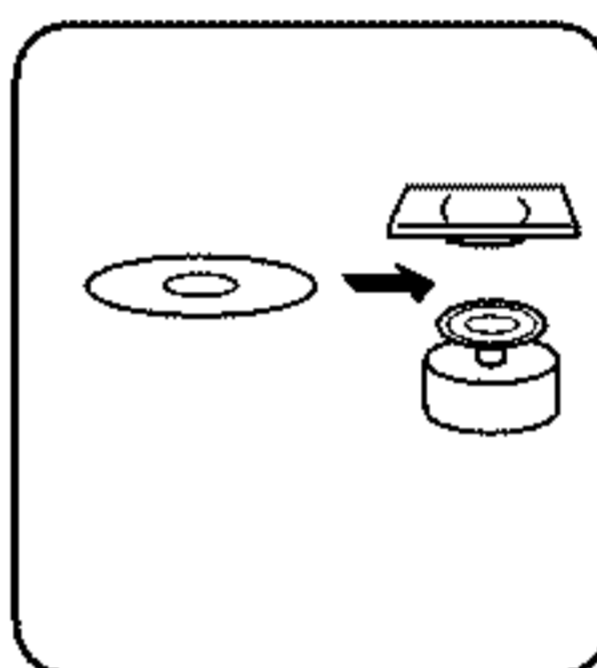
<TRAY CLOSE>



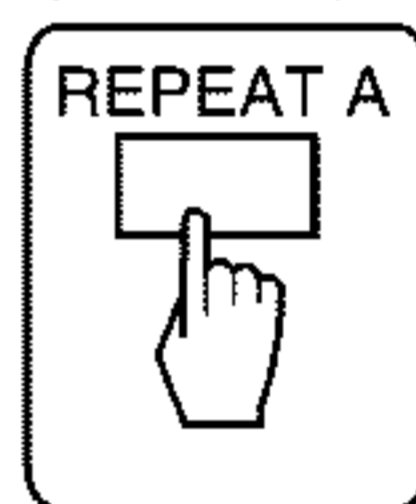
• No TRAY



<DISC SET>

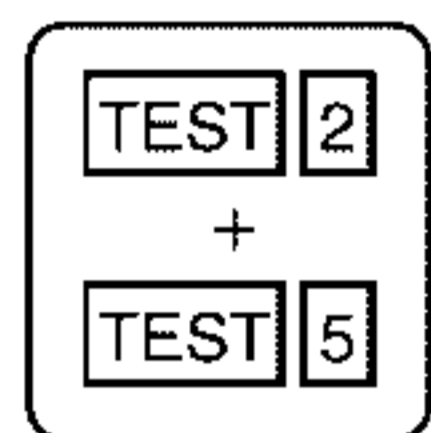


<CLAMP>

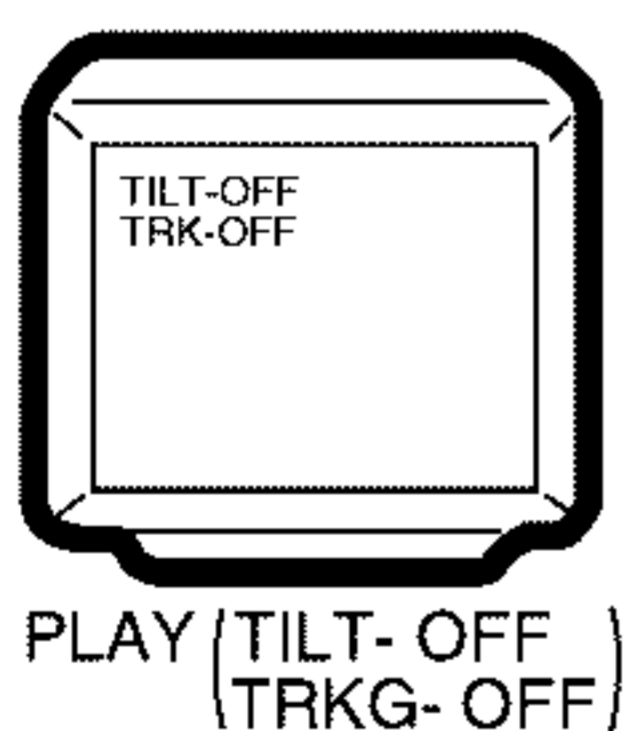
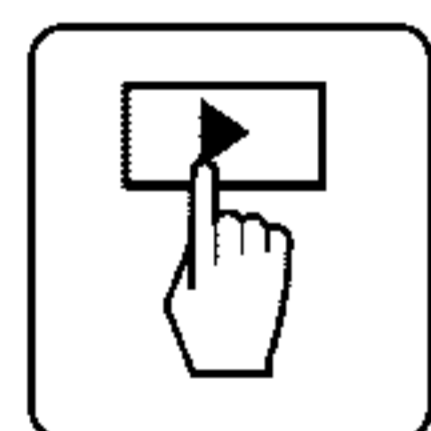


TEST MODE: PLAY

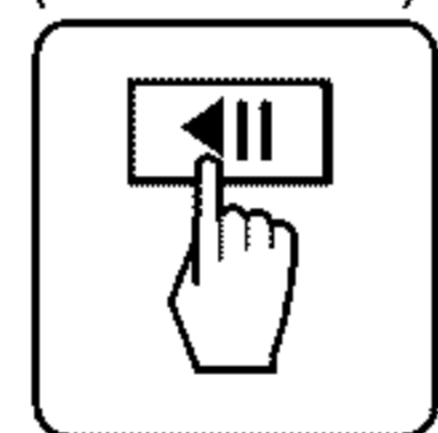
<TRKG OFF PLAY>



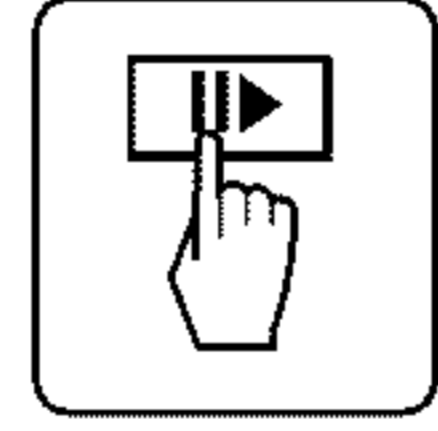
<TRKG ON PLAY>



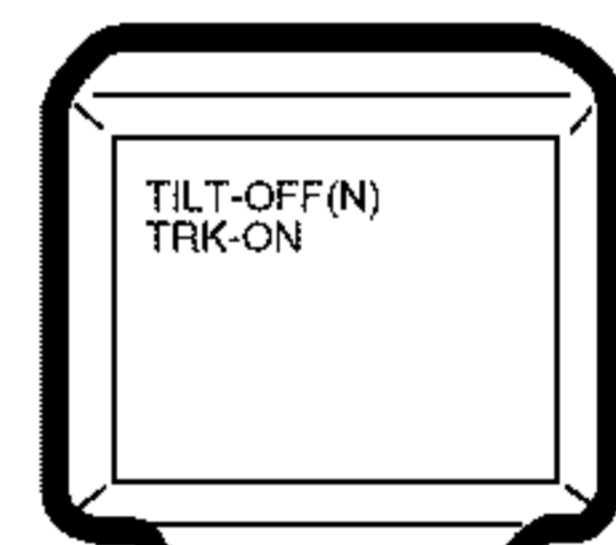
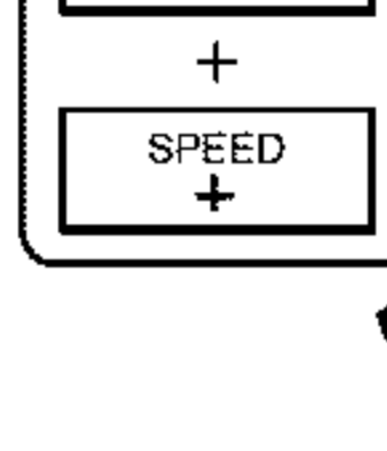
<TRKG ON>



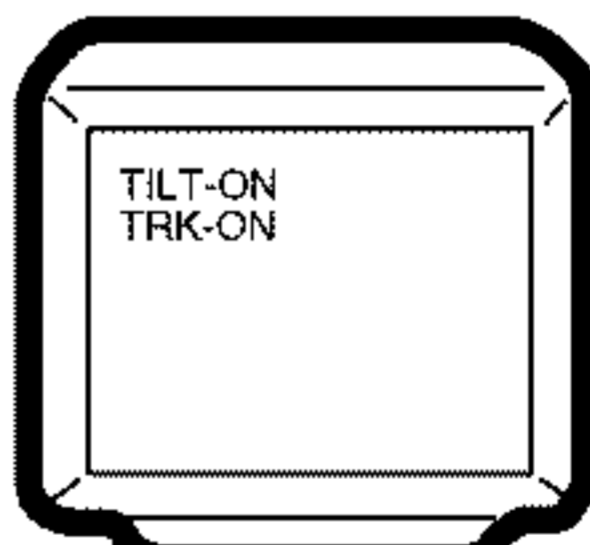
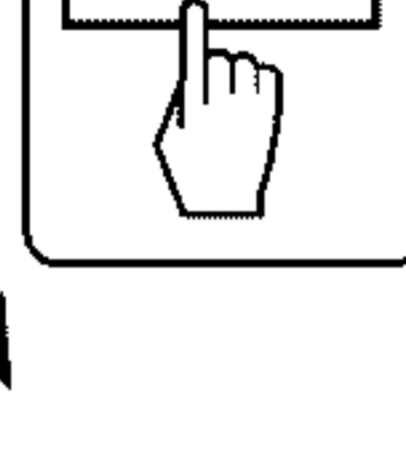
<TRKG OFF>



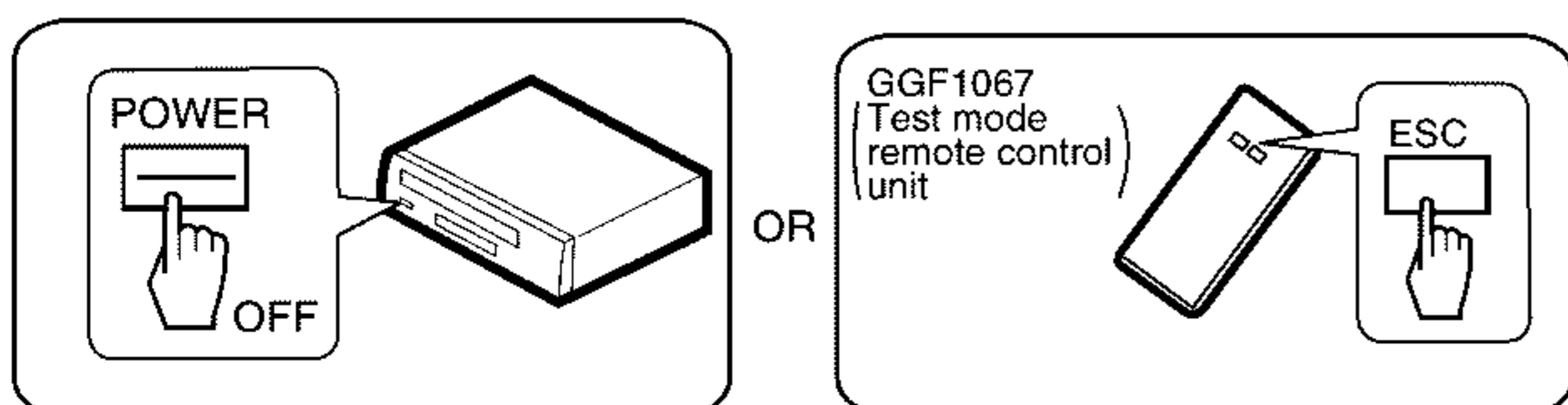
<TILT ON>



<TILT OFF>



TEST MODE: OFF



DVL-909

6.4 NECESSARY ADJUSTMENT POINTS

When

Adjustment Points

■ EXCHANGE MECHANISM ASSY PARTS

Exchange pickup (CLD)	➔	Mechanical point	①, ②, ③, ④, ⑤, ⑥, ⑦, ⑧, ⑨
		Electric point	_____
Exchange pickup (DVD)	➔	Mechanical point	⑩, ⑪
		Electric point	_____
Exchange spindle motor	➔	Mechanical point	③, ⑧
		Electric point	_____

■ EXCHANGE PCB ASSY

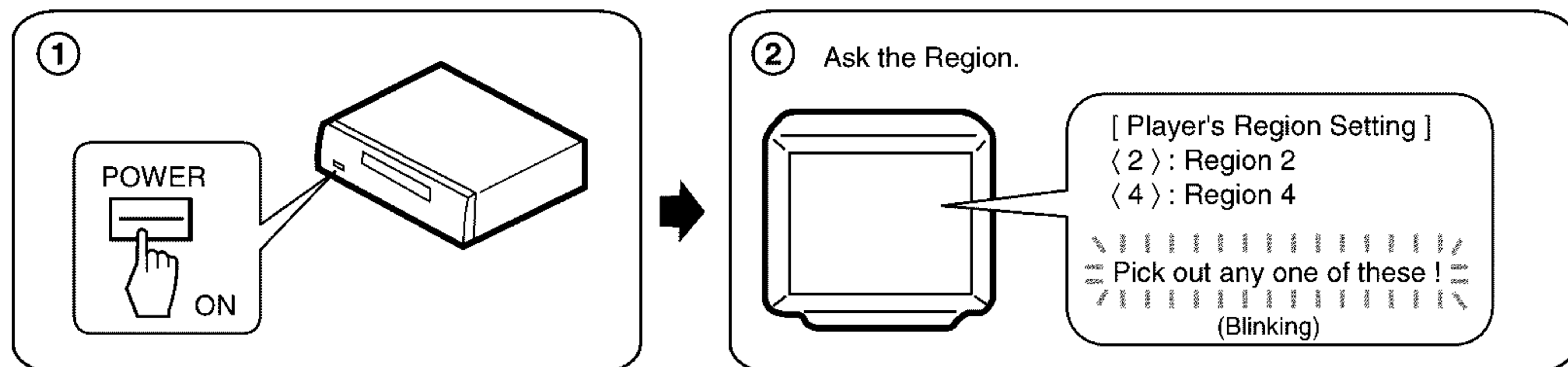
Exchange board CLDM ASSY	➔	Mechanical point	①, ④, ⑤, ⑥, ⑨
		Electric point	_____
Note : ① and ② are adjusted already.			
Exchange board DVDM ASSY	➔	Mechanical point	⑩, ⑪
		Electric point	_____
Note : ① and ② are adjusted already.			

• When replacing the FLASH MEMORY (IC603) on the DVDM Assy, follow the "6.5 REGION SETTING".

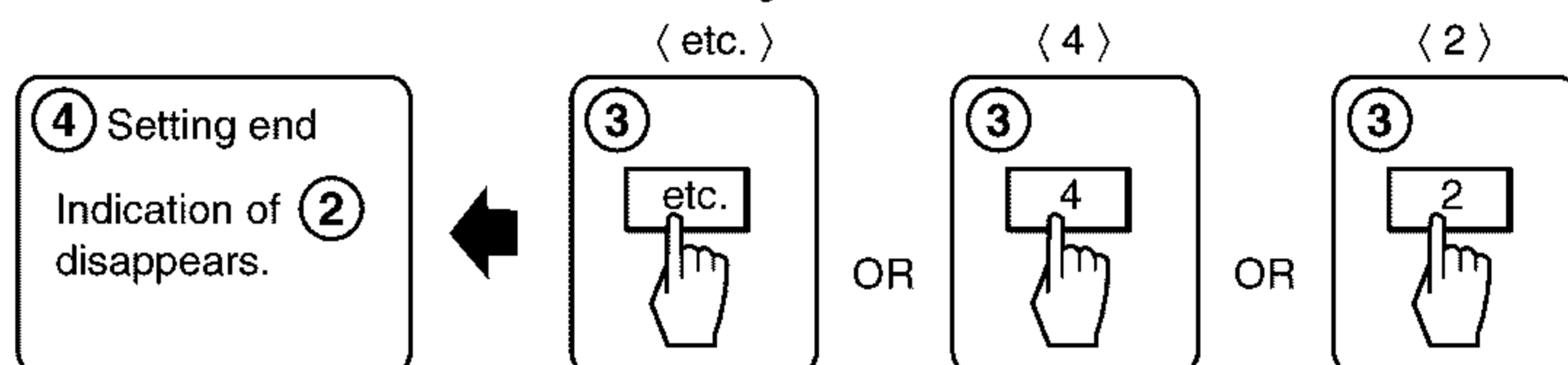
Exchange board DMYC ASSY	➔	Mechanical point	_____
		Electric point	_____
Note : ① – ⑬ are adjusted already.			
Exchange board MYCB ASSY	➔	Mechanical point	_____
		Electric point	_____
Note : ① is adjusted already.			

6.5 REGION SETTING

Perform this operation after confirming the region number of each destination on the cover.
 Region number decided once can be changed never again.



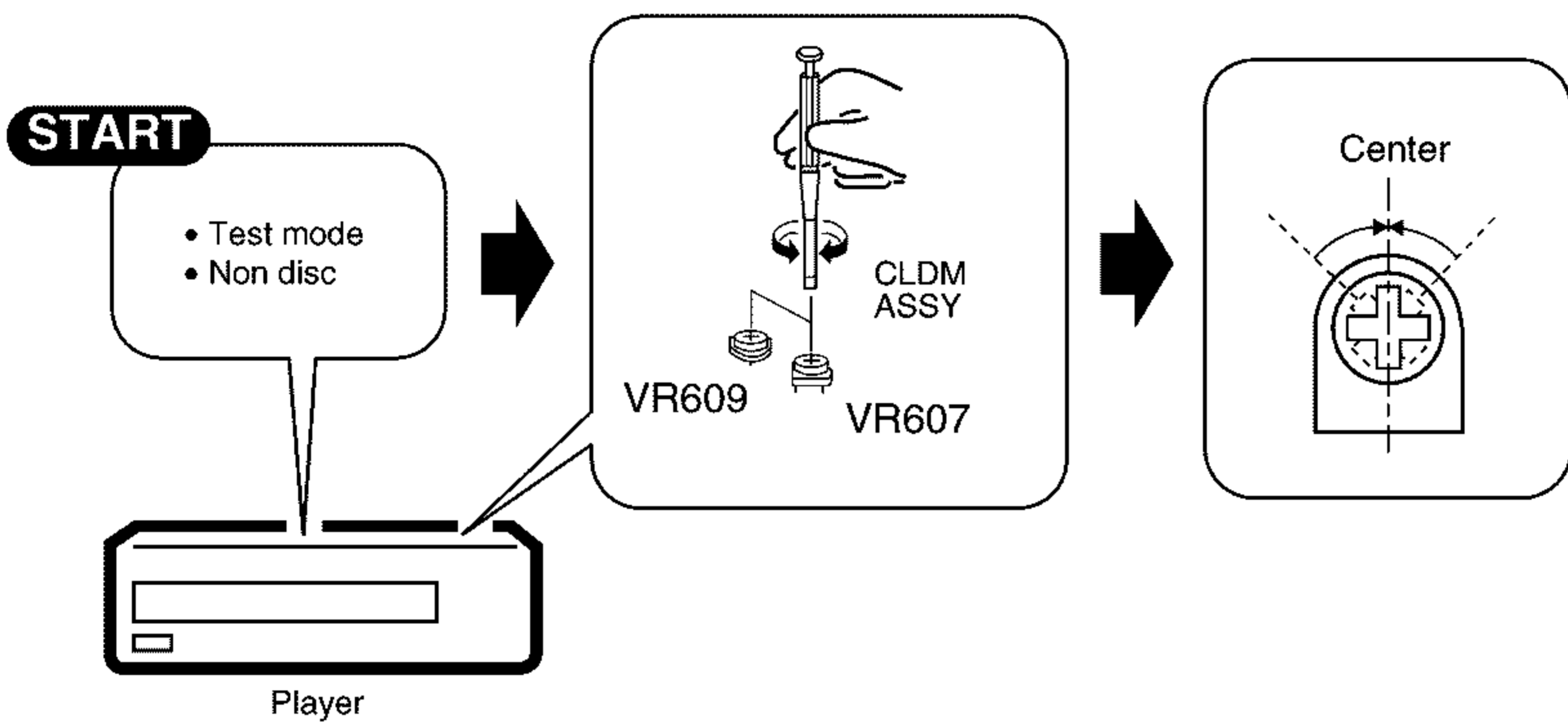
Note : Region is decided by destination of the player automatically, and there is a case when it doesn't ask on this screen. There is not need of this setting at that occasion.



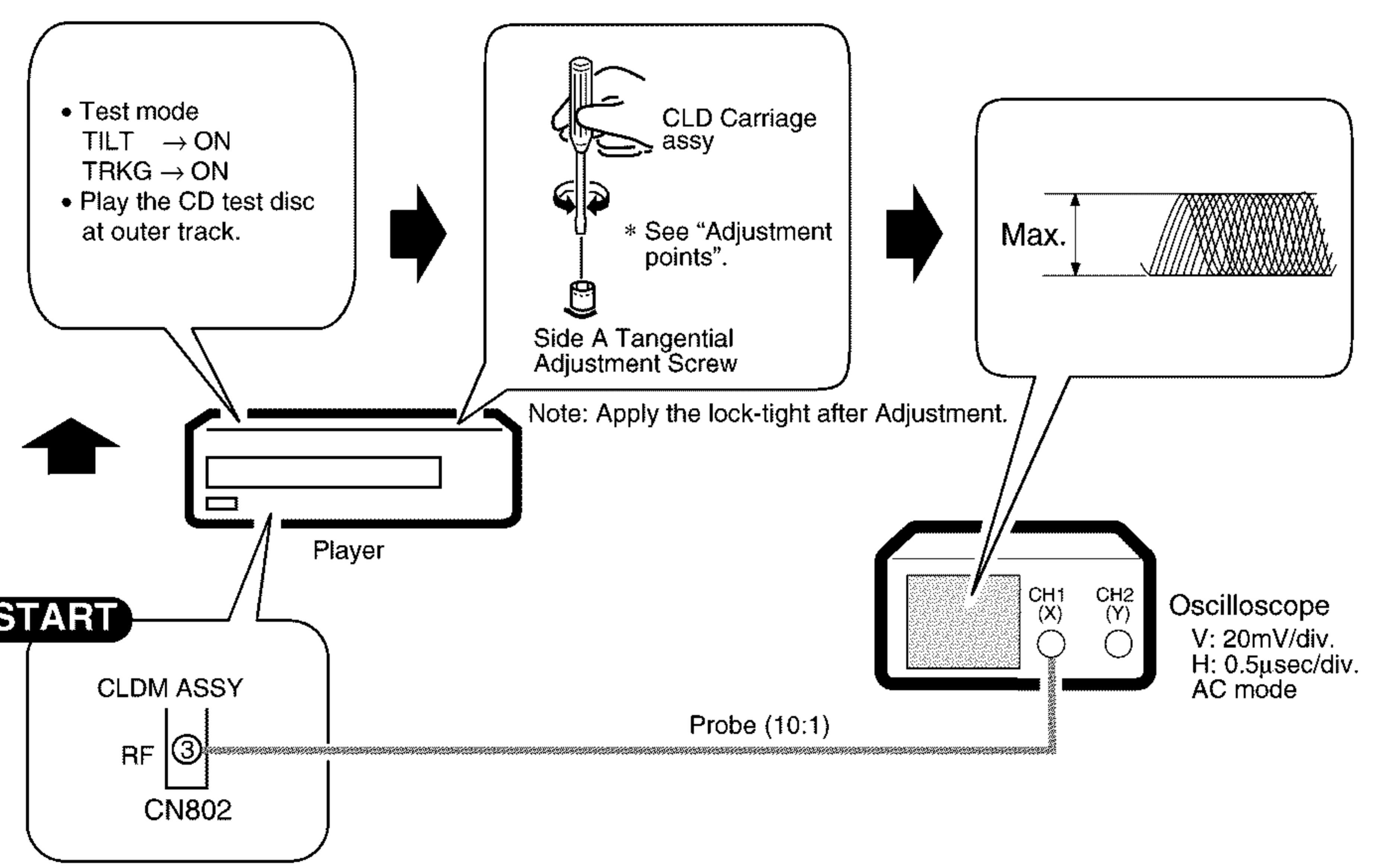
Key input the number with the test mode remote control unit (GGF1067).

6.6 MECHANICAL ADJUSTMENT

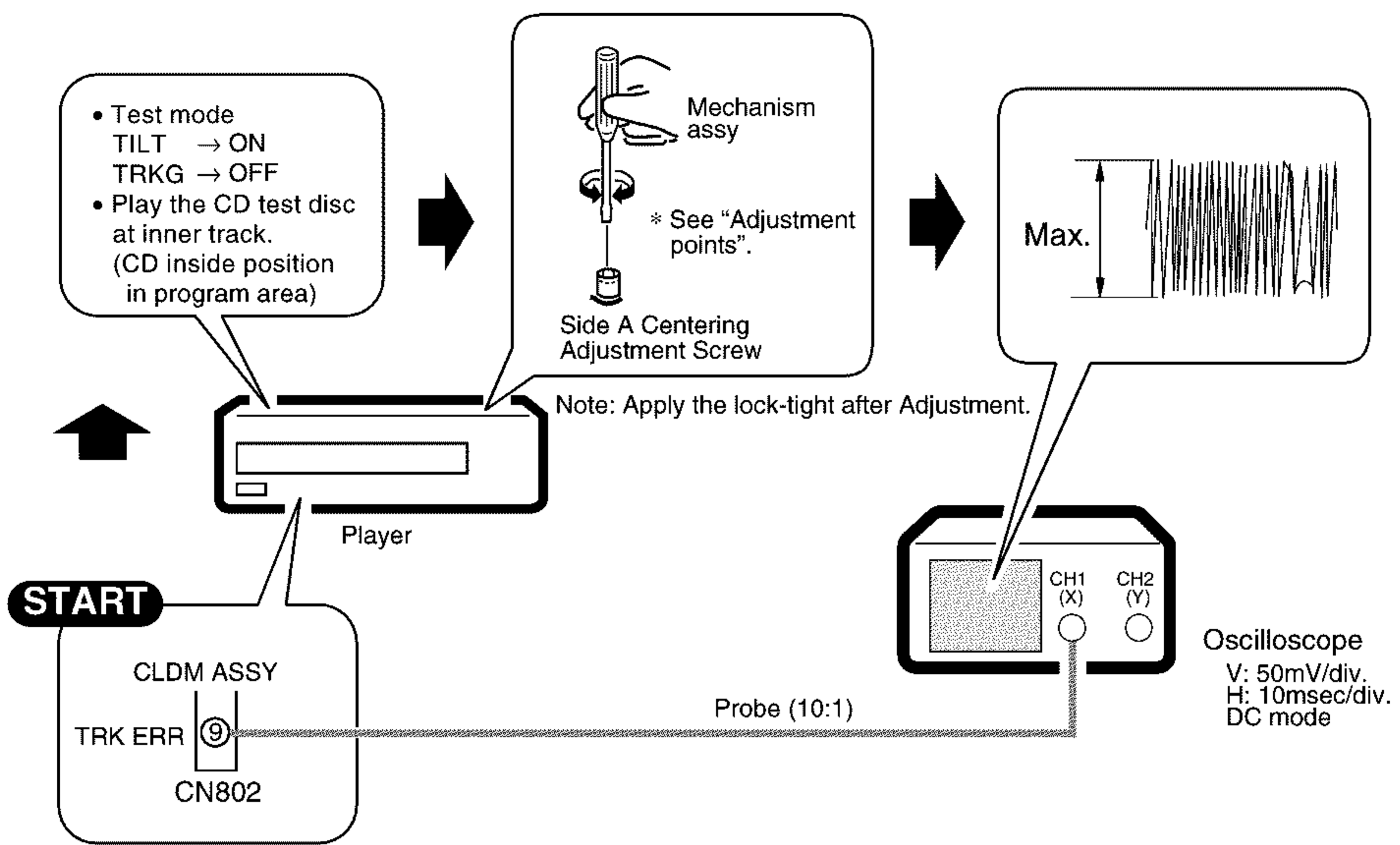
1 Tilt Offset Adjustment



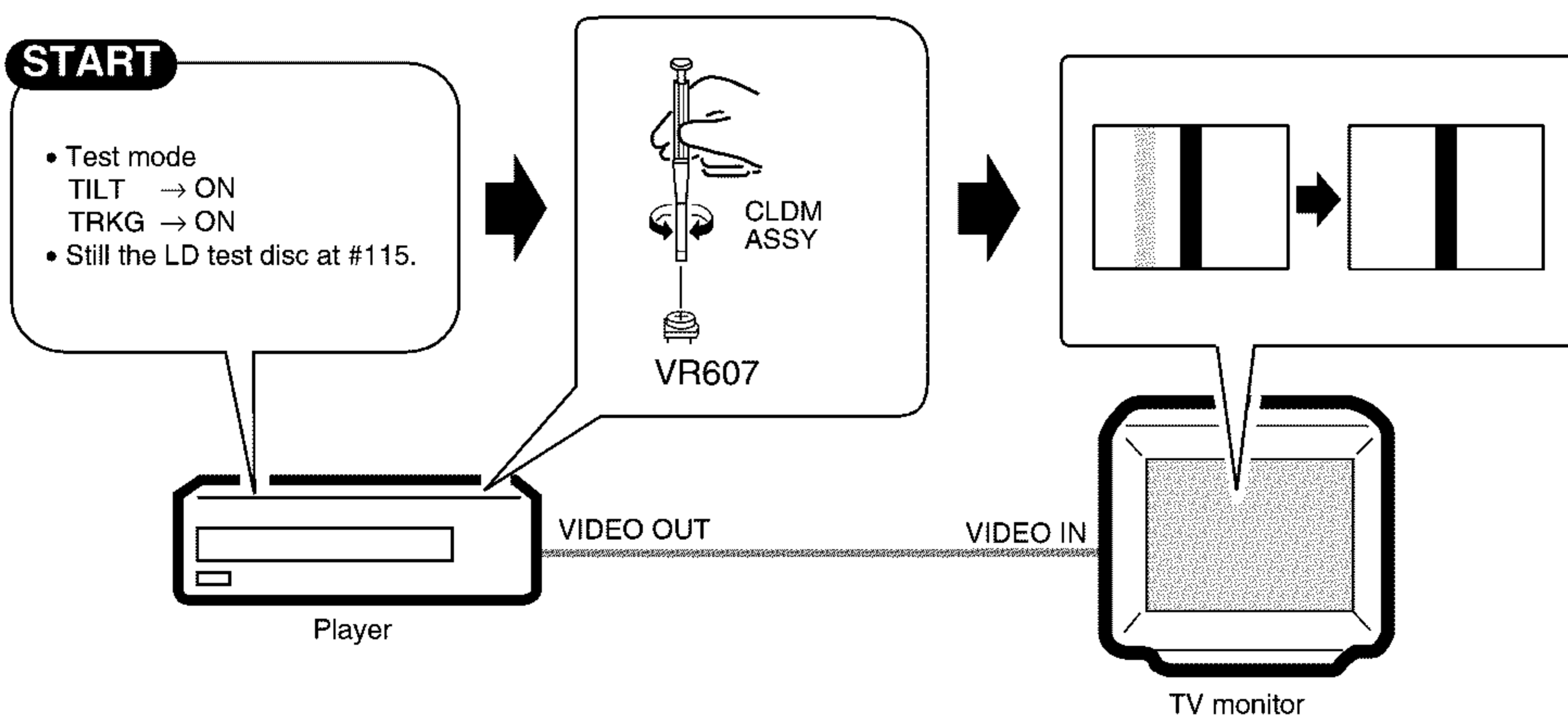
2 Tangential Direction Angle Adjustment for Side A



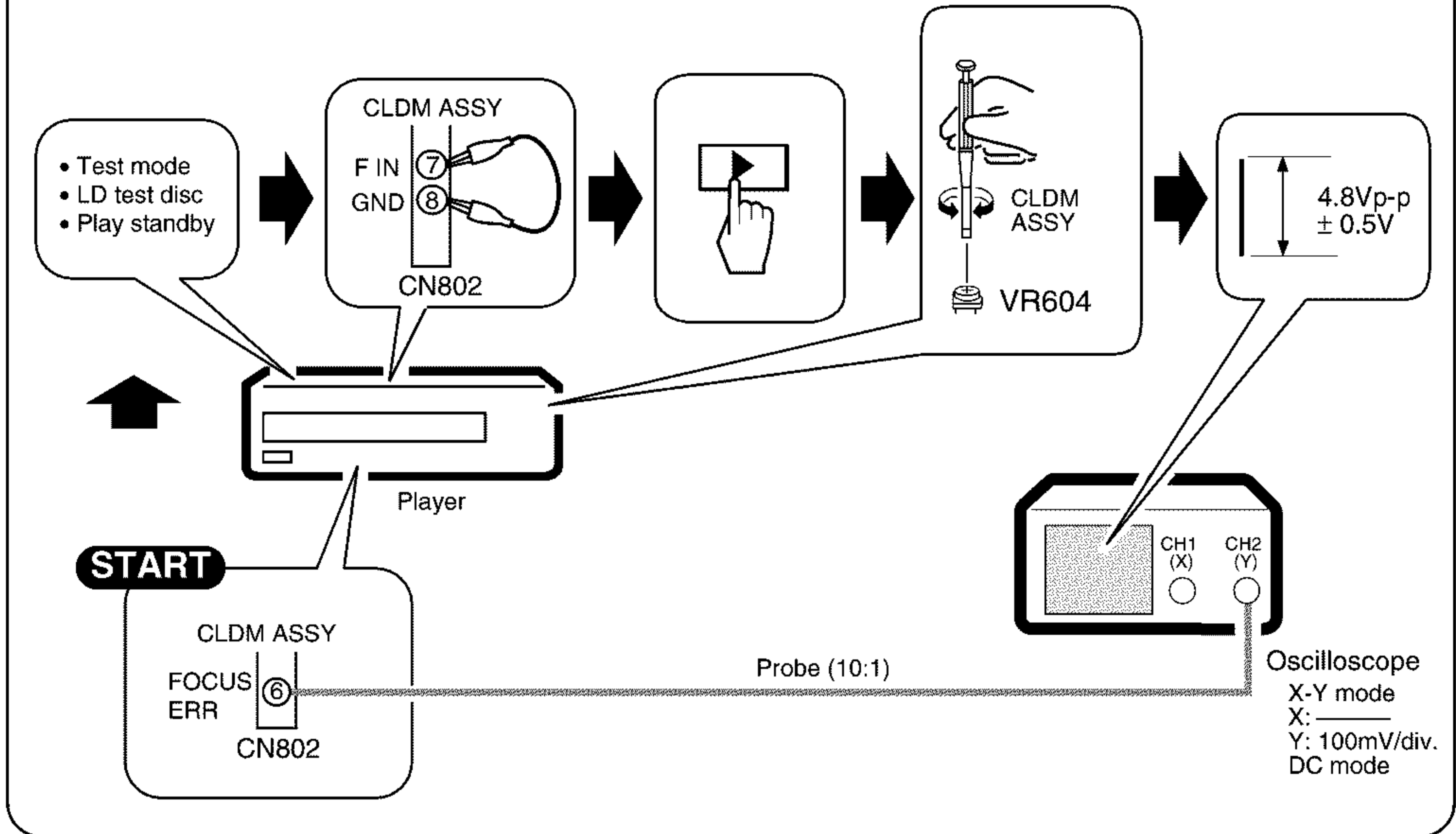
3 Spindle Motor Centering Adjustment for Side A



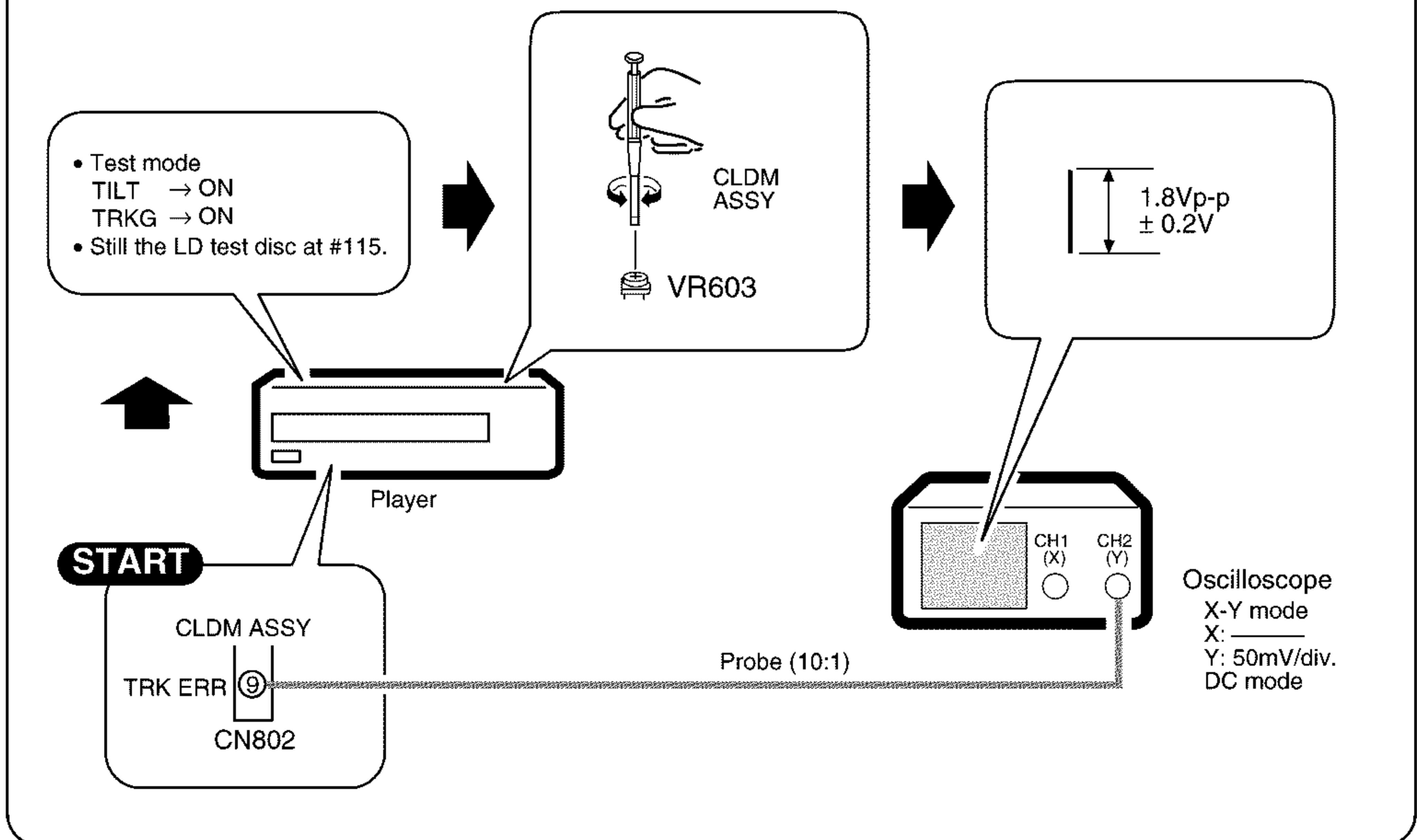
4 Crosstalk Check and Fine Tilt Offset Adjustment for Side A



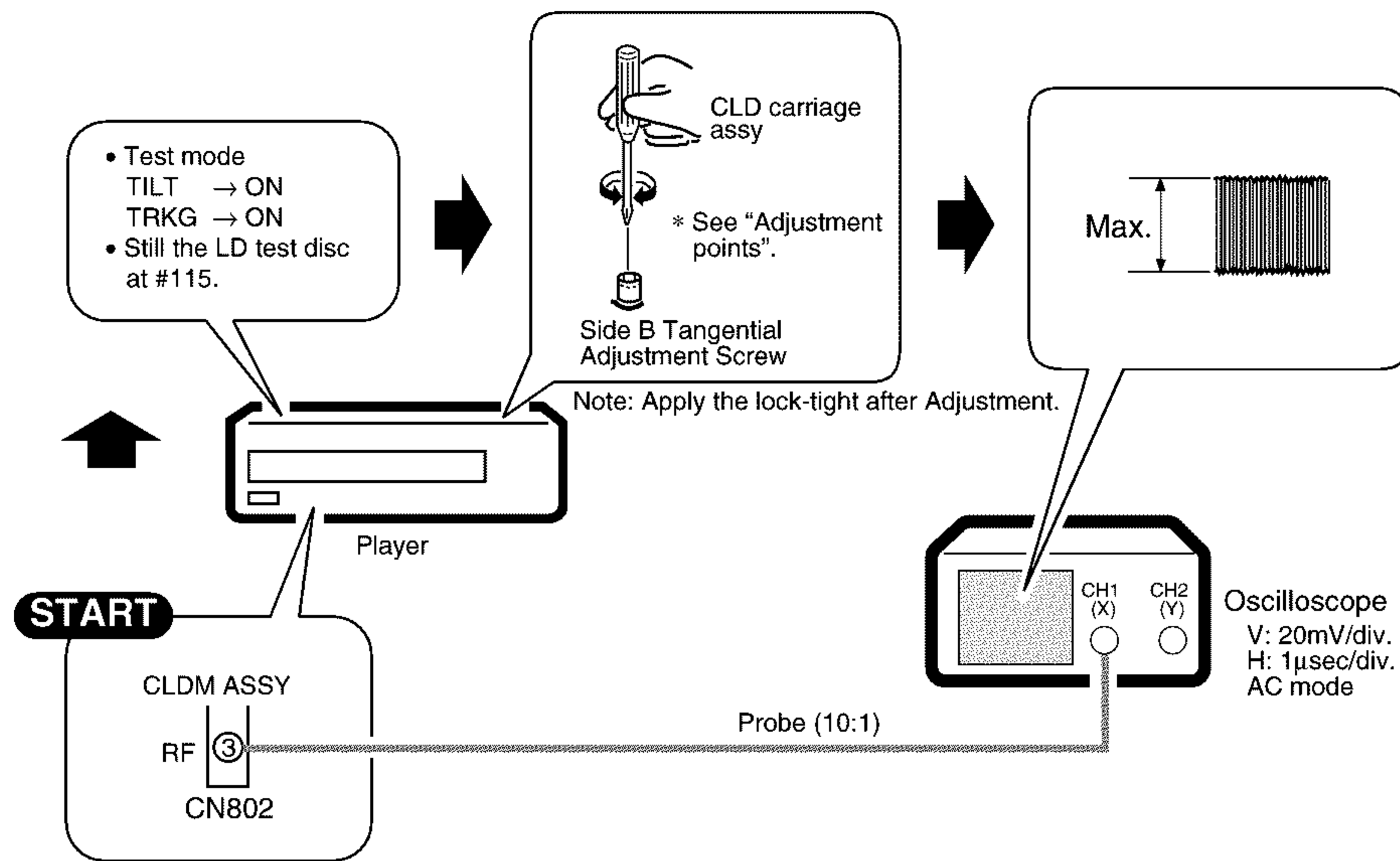
5 Focus Servo Loop Gain Adjustment



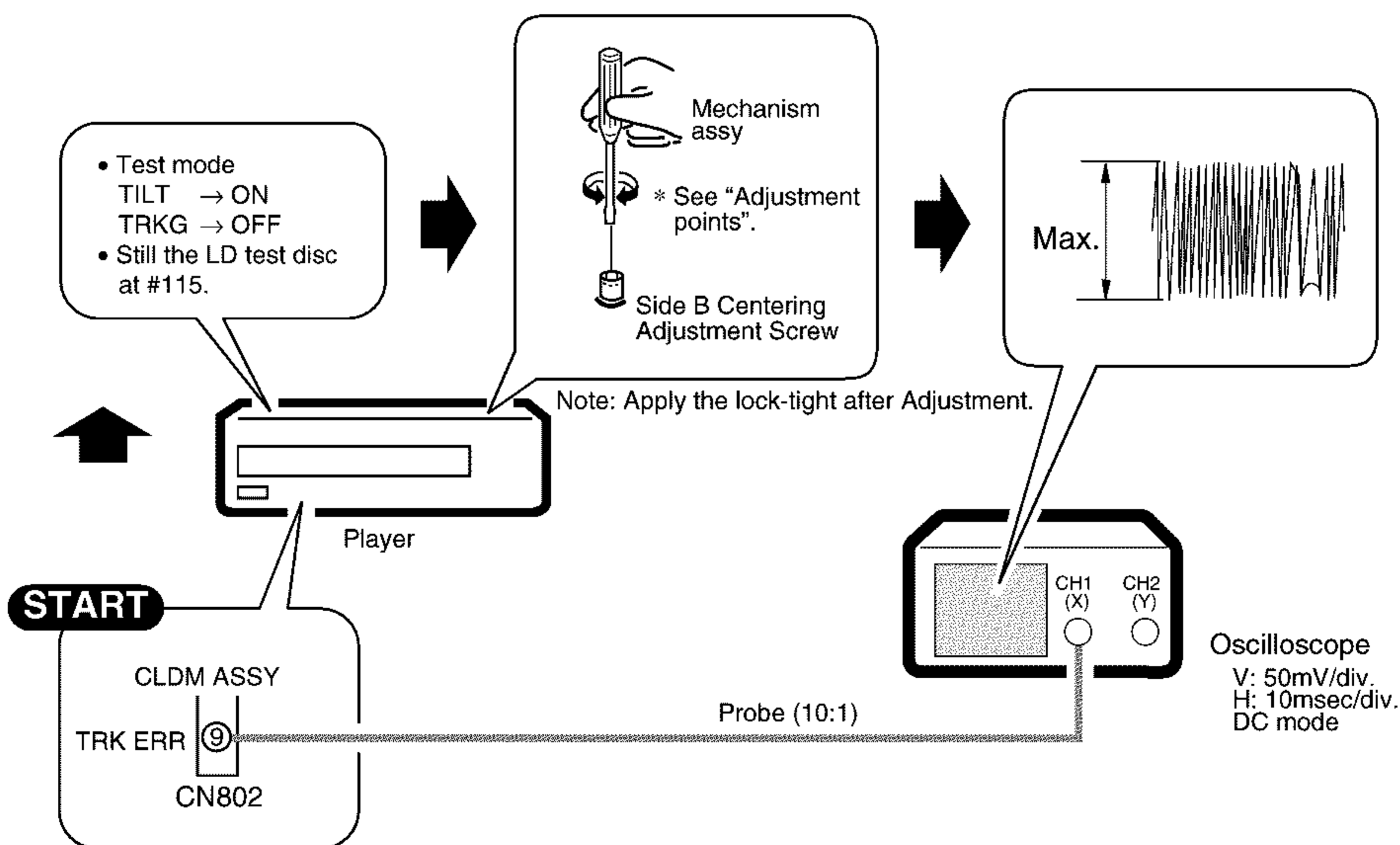
6 Tracking Servo Loop Gain Adjustment



7 Tangential Direction Angle Adjustment for Side B



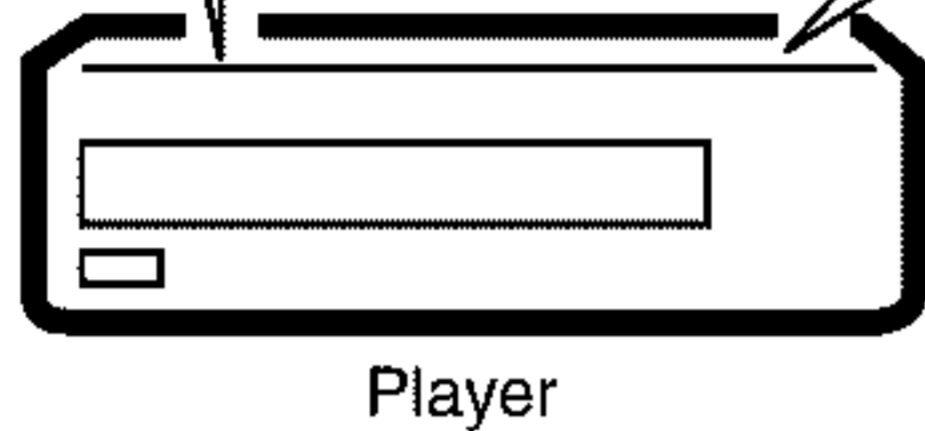
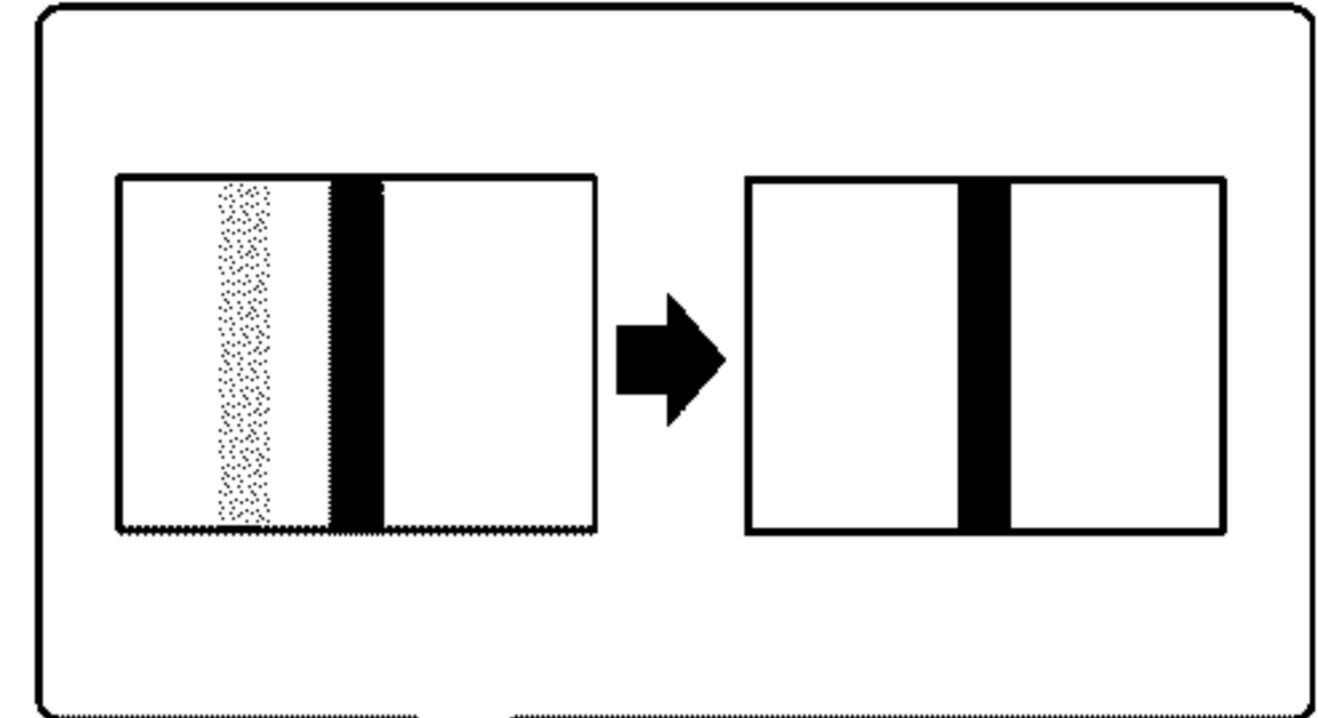
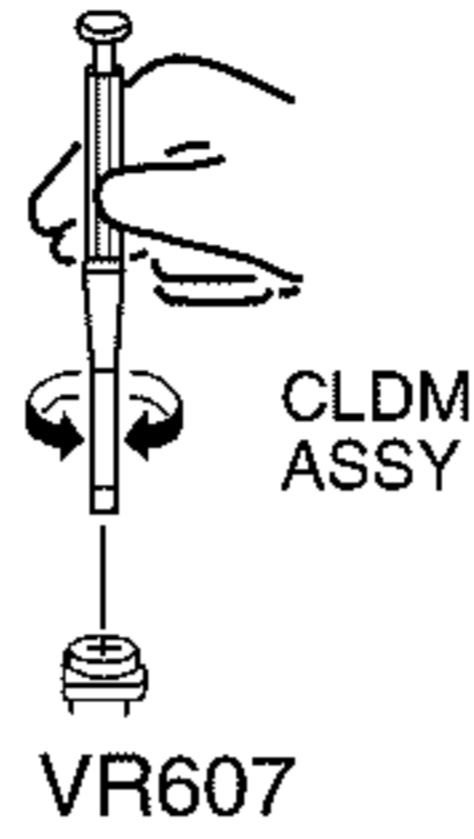
8 Spindle Motor Centering Adjustment for Side B



9 Crosstalk Check and Fine Tilt Offset Adjustment for Side B

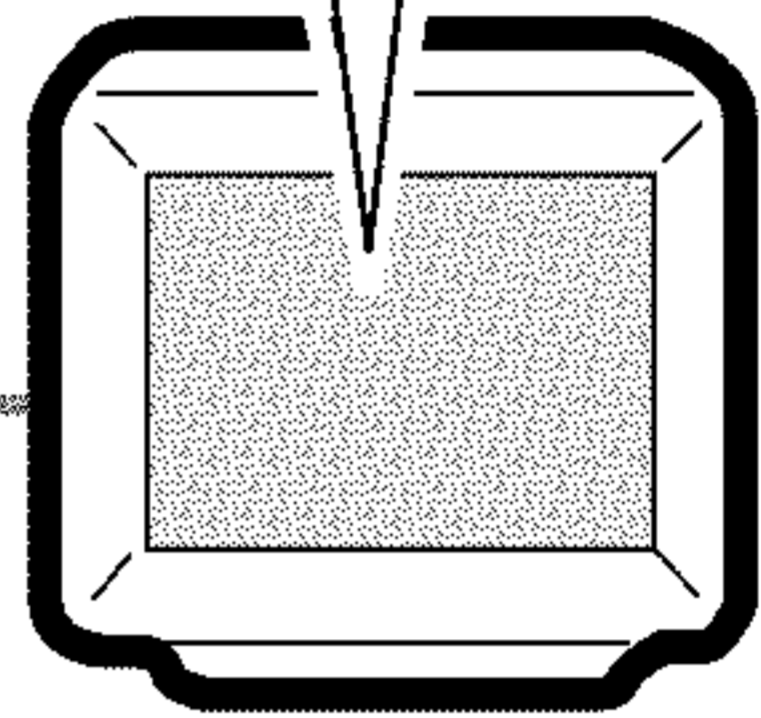
START

- Test mode
TILT → ON
TRKG → ON
- Still the LD test disc at #115.

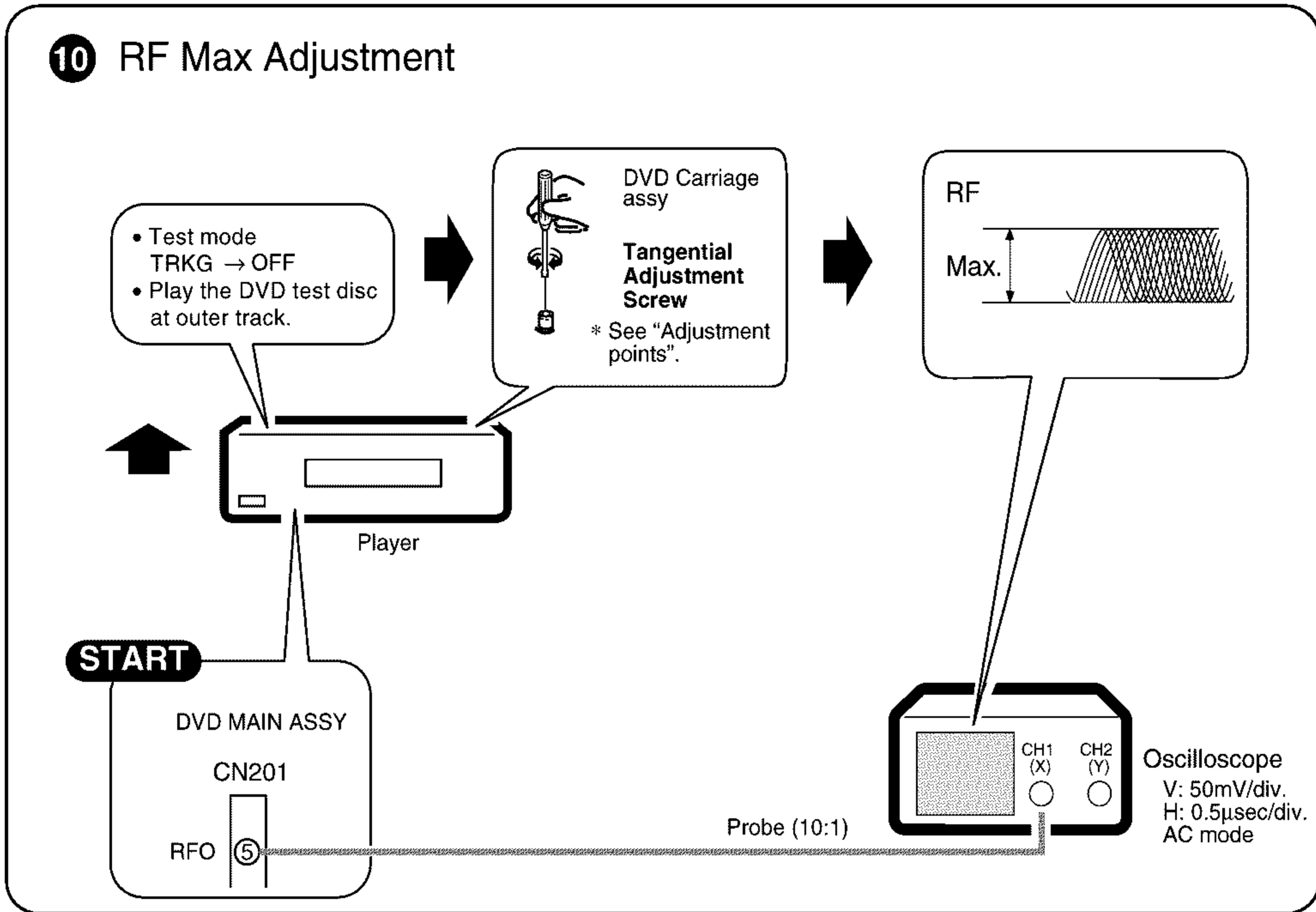


VIDEO OUT

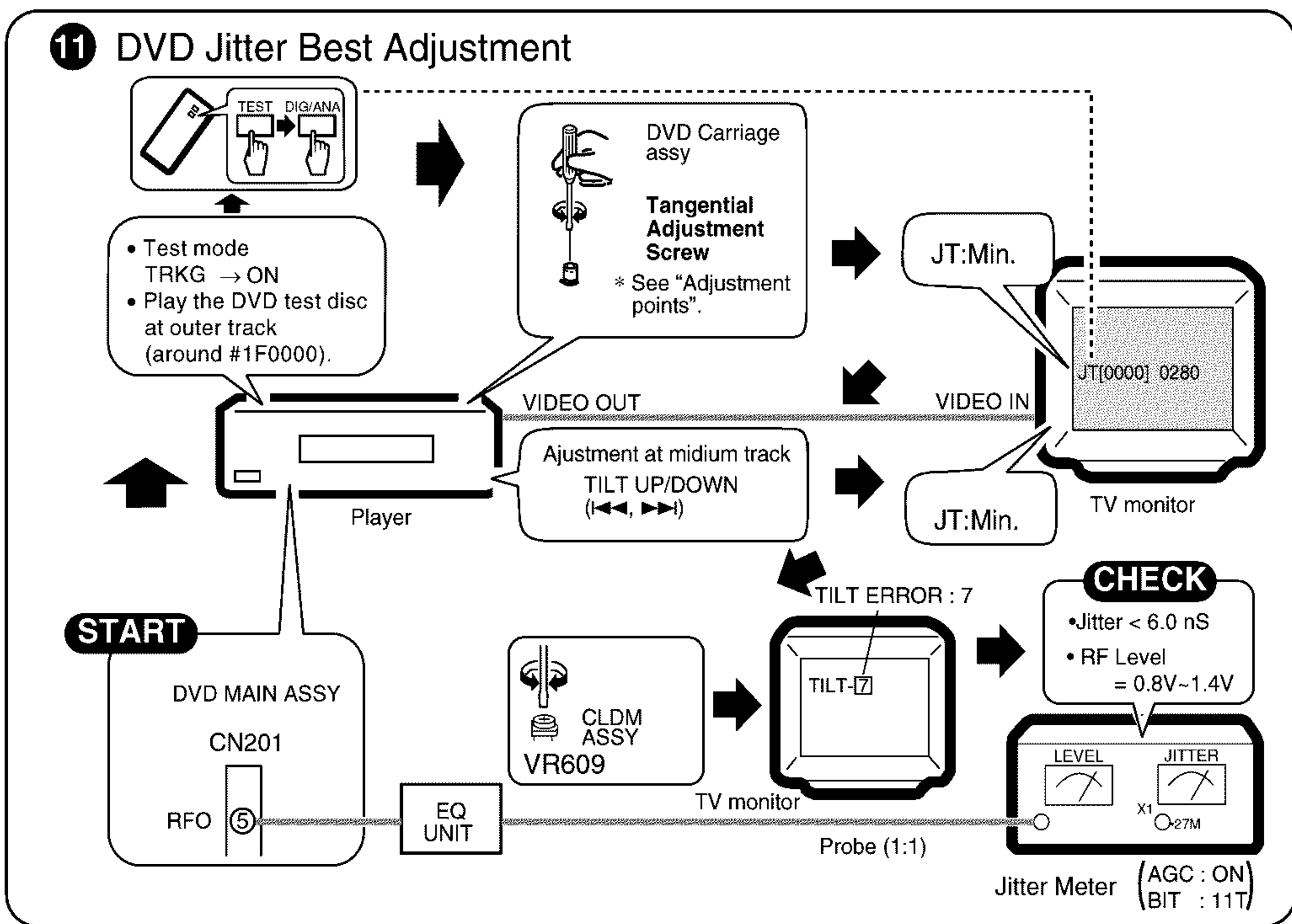
VIDEO IN



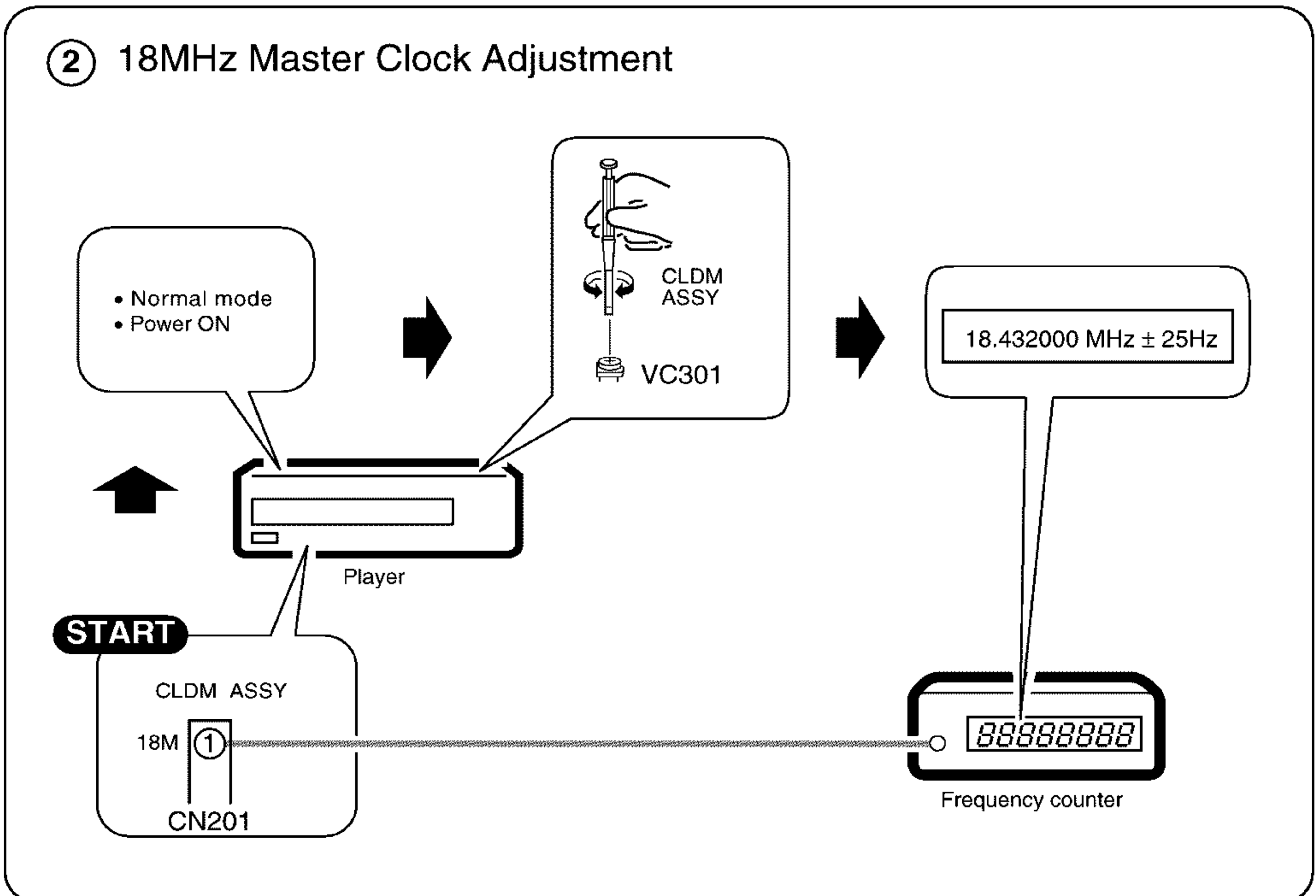
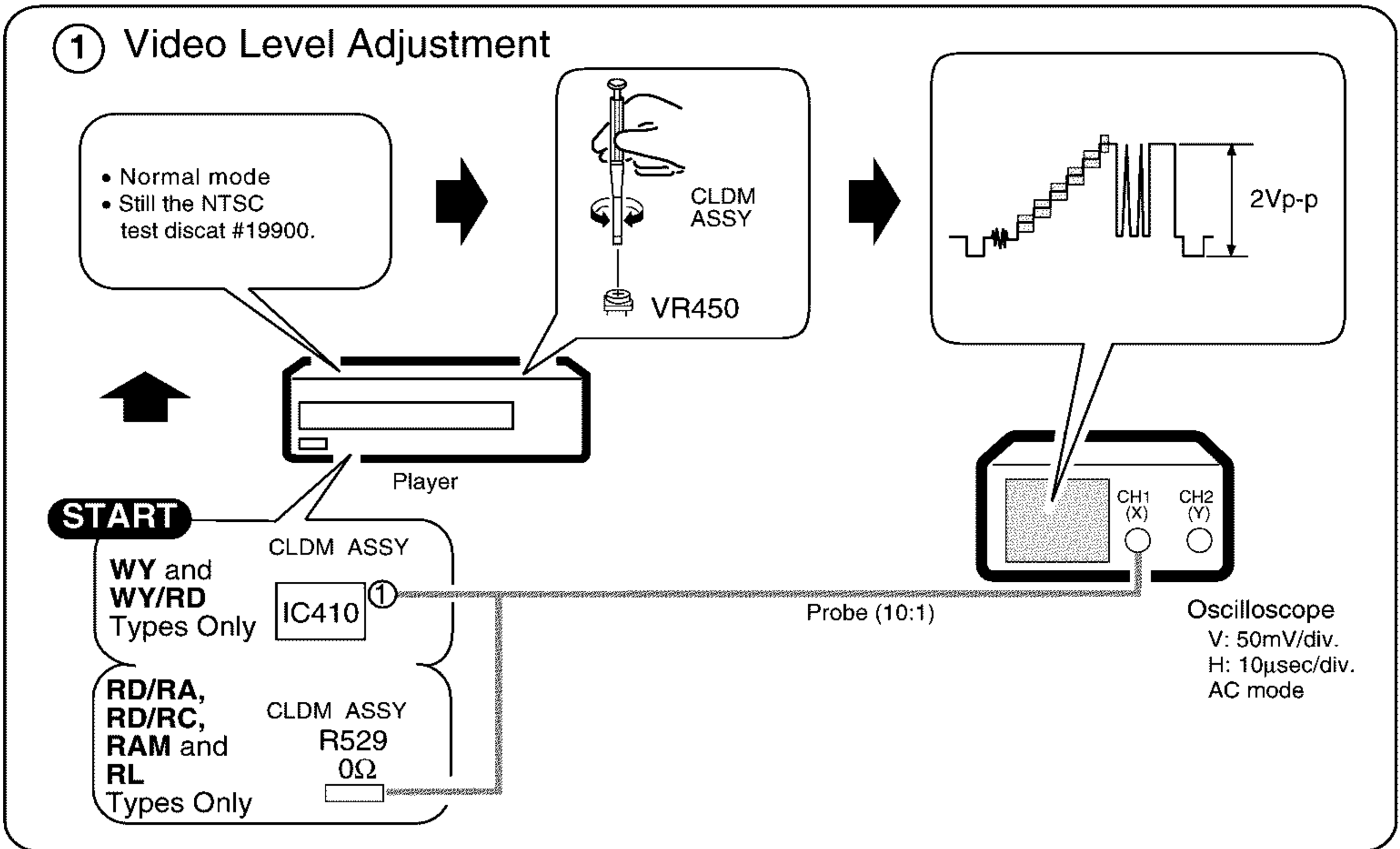
10 RF Max Adjustment



11 DVD Jitter Best Adjustment

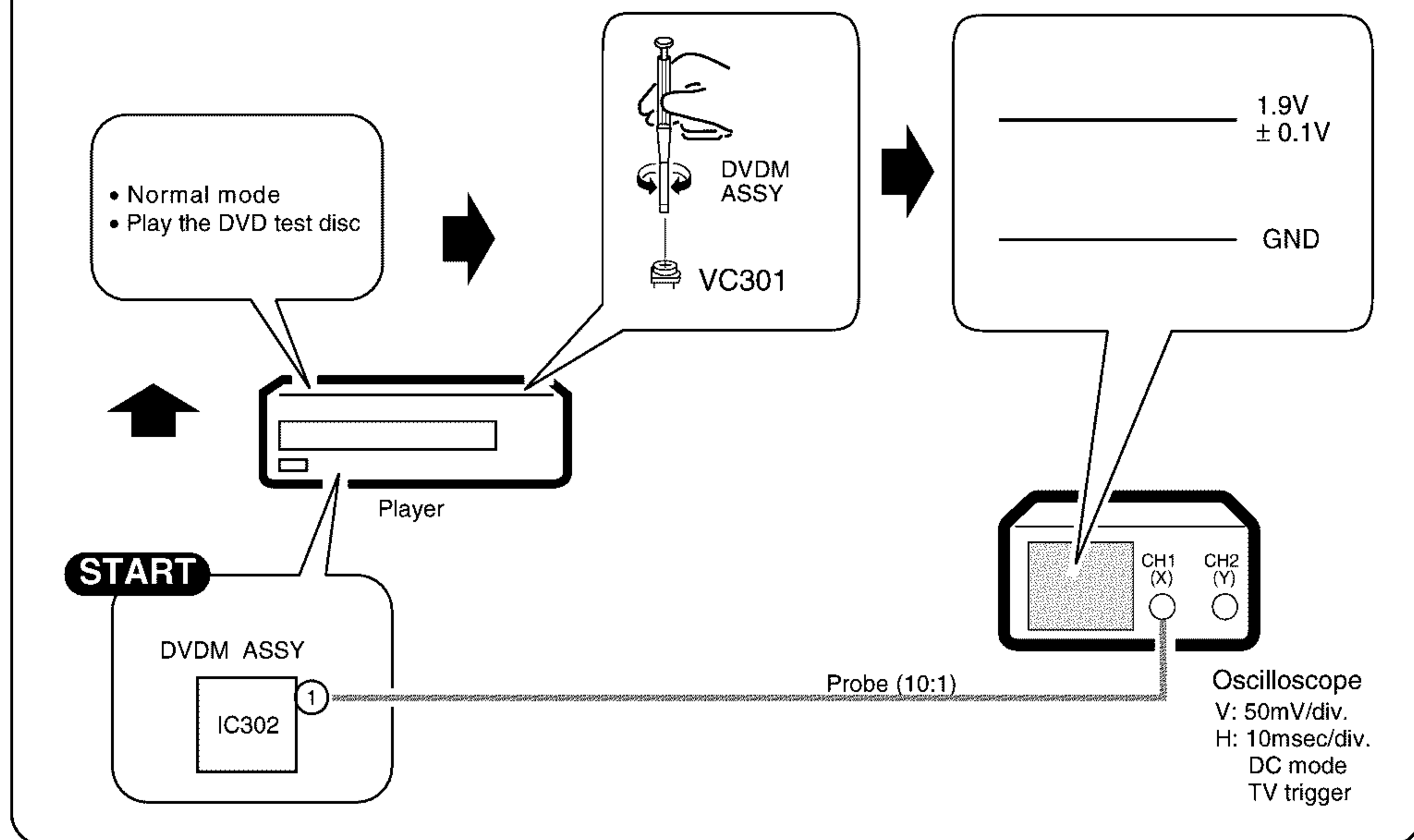


6.7 ELECTRICAL ADJUSTMENT FOR CLDM ASSY

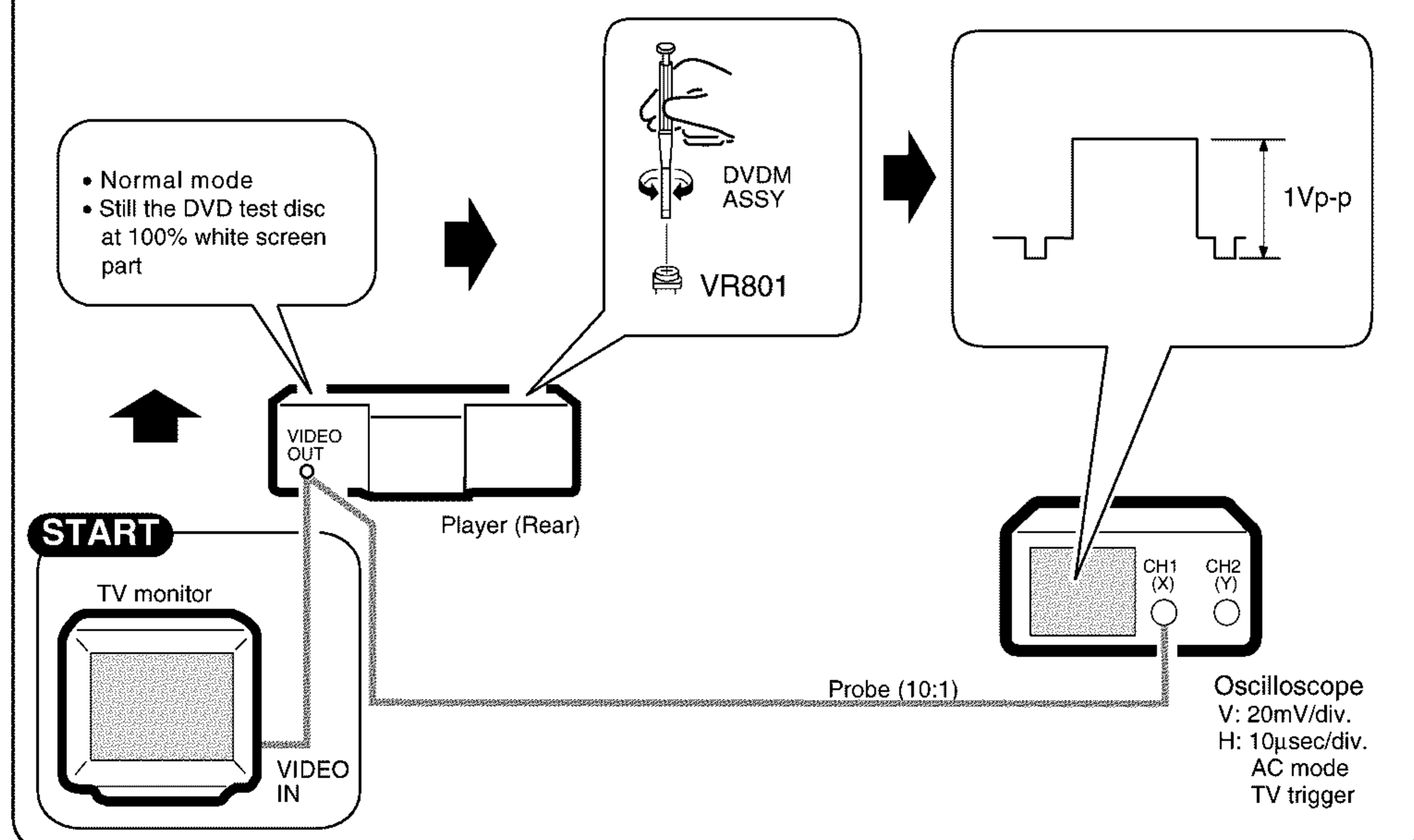


6.8 ELECTRICAL ADJUSTMENT FOR DVDM ASSY

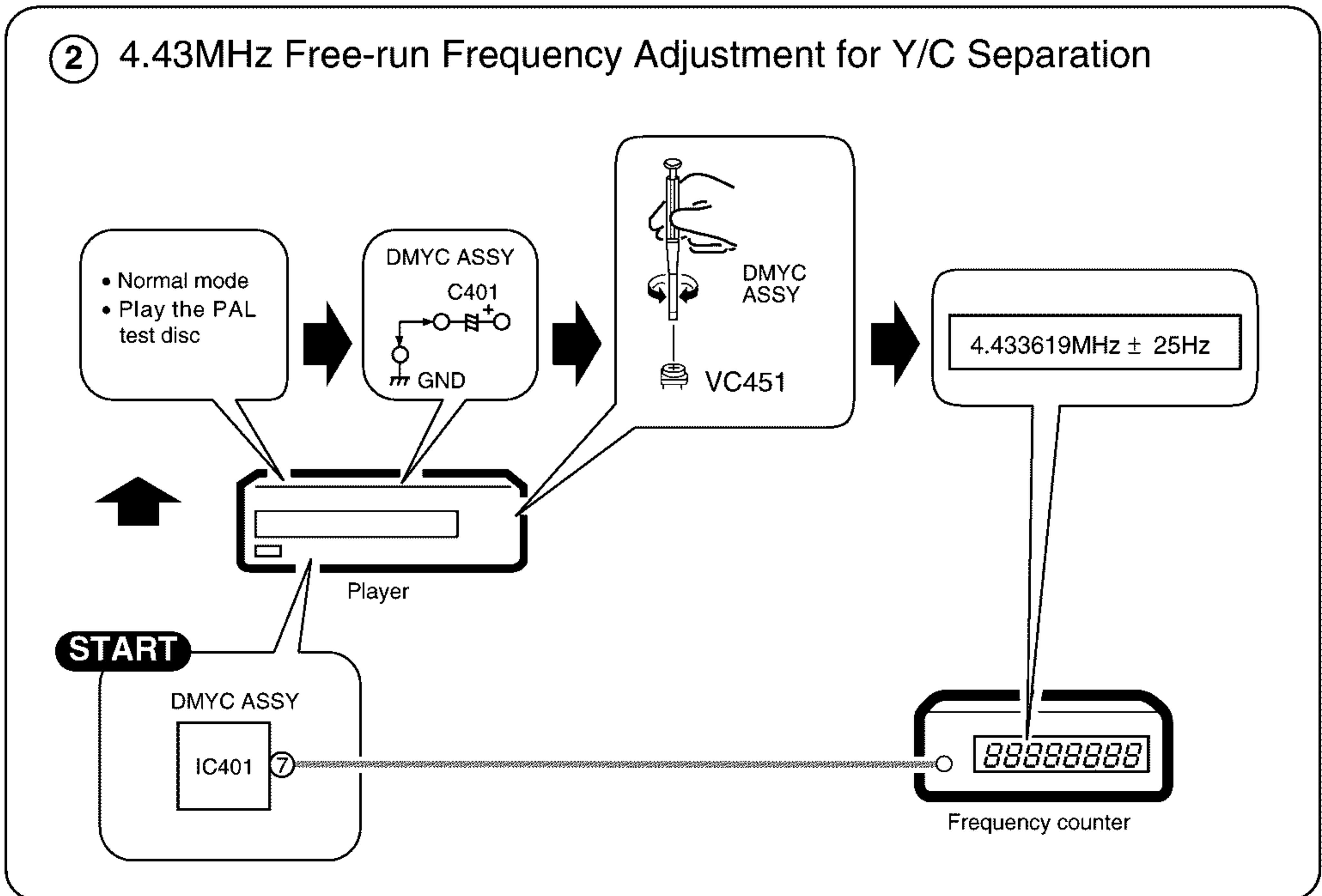
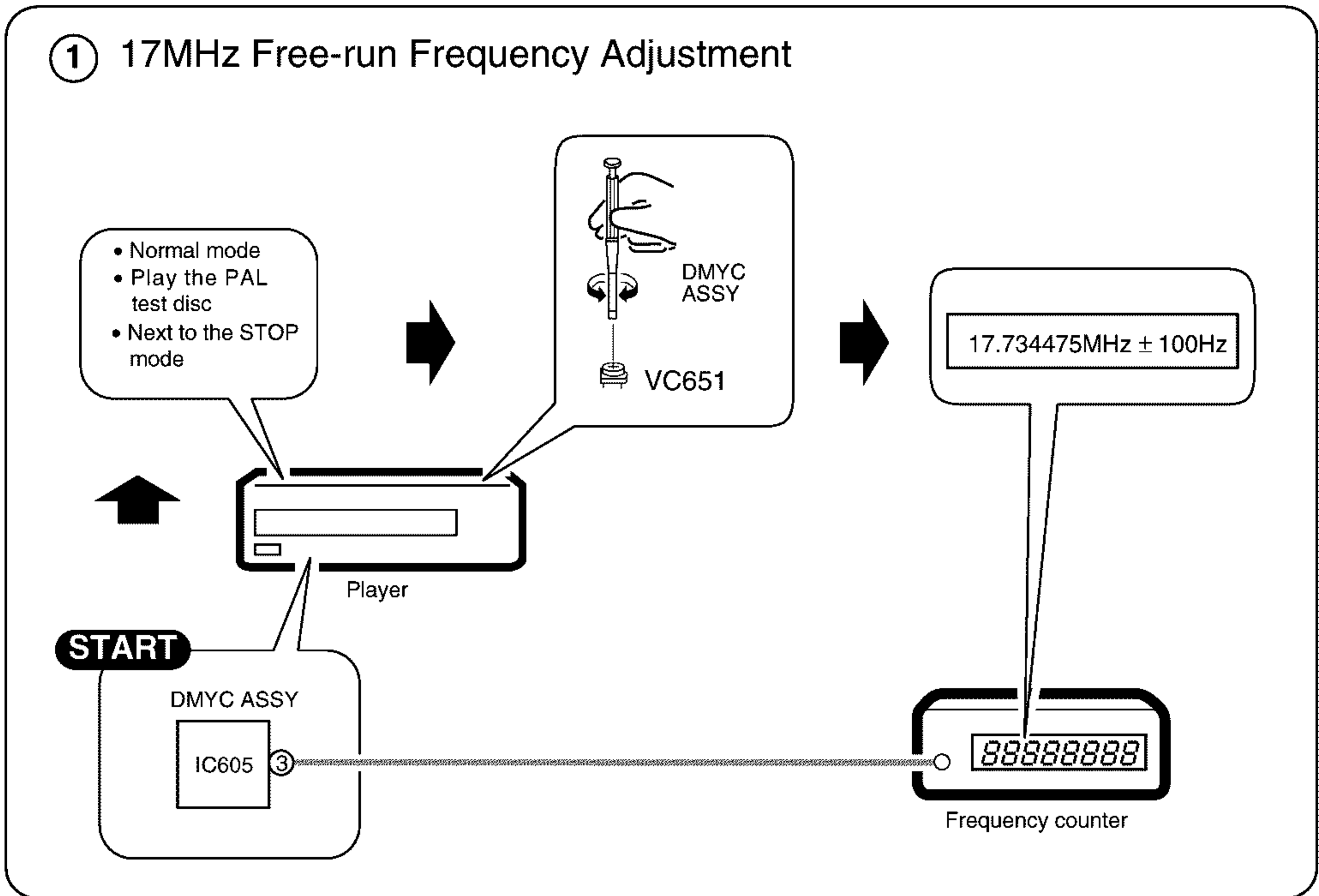
① VCO Offset Adjustment



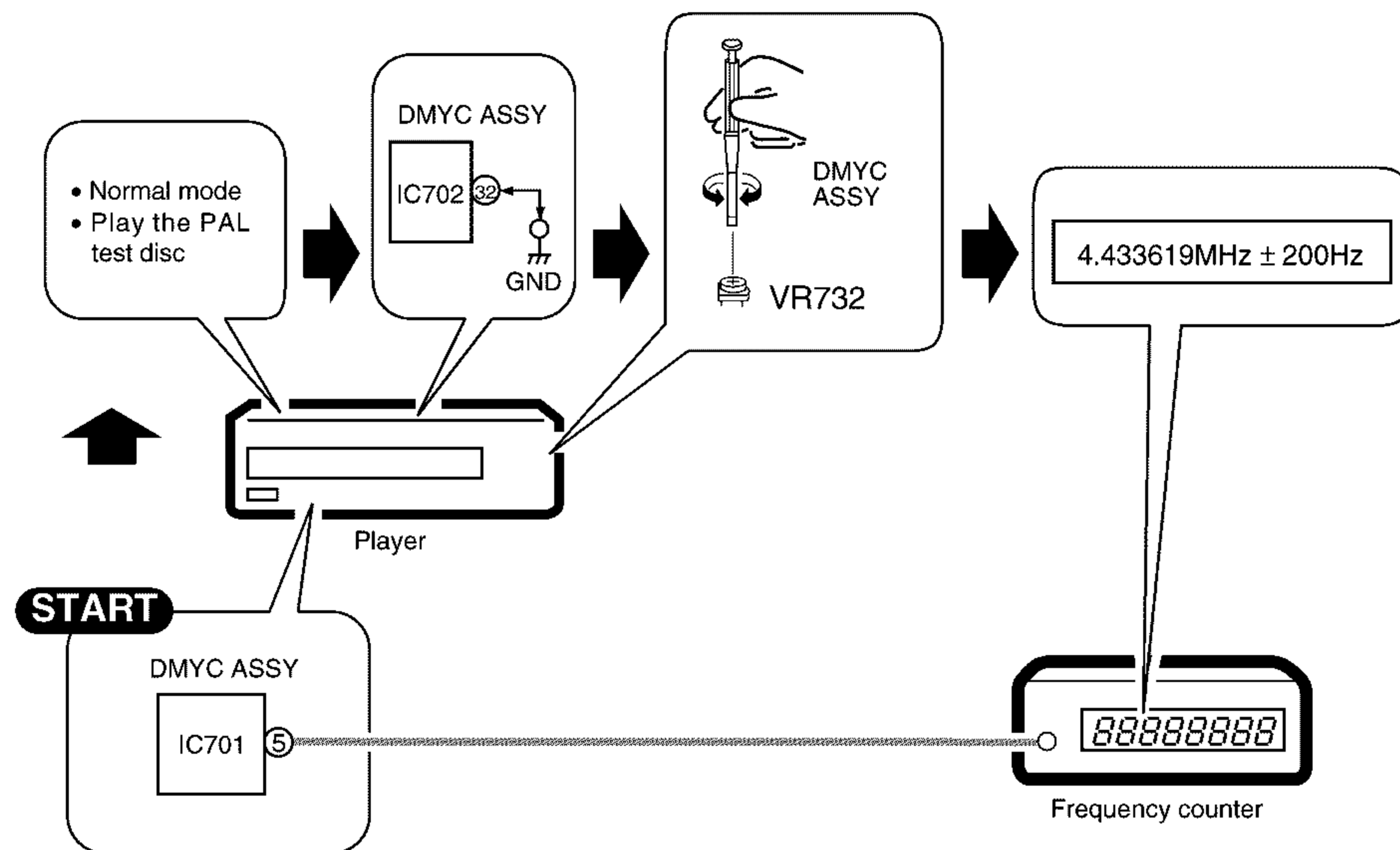
② Video Output Level Adjustment



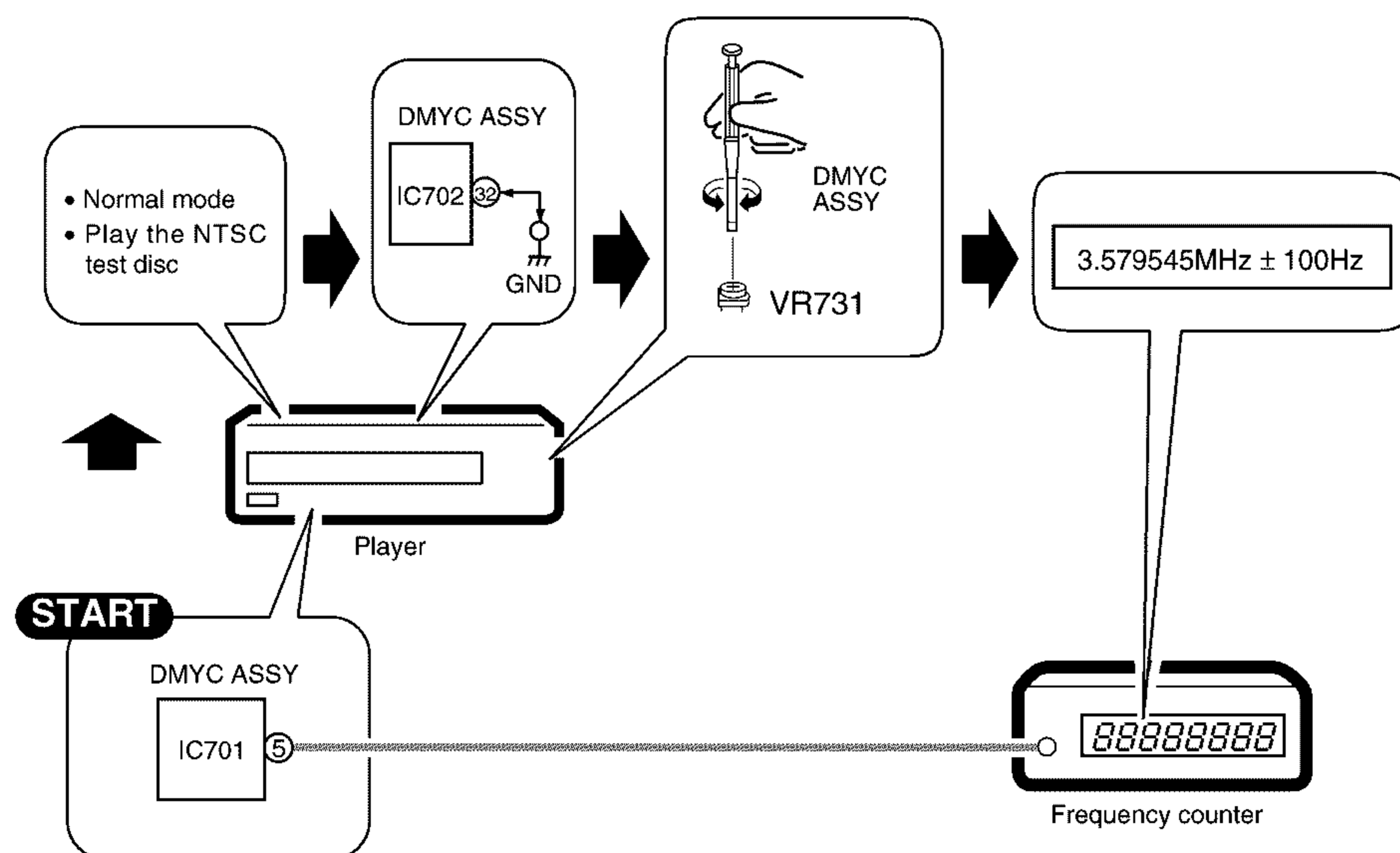
6.9 ELECTRICAL ADJUSTMENT for DMYC ASSY



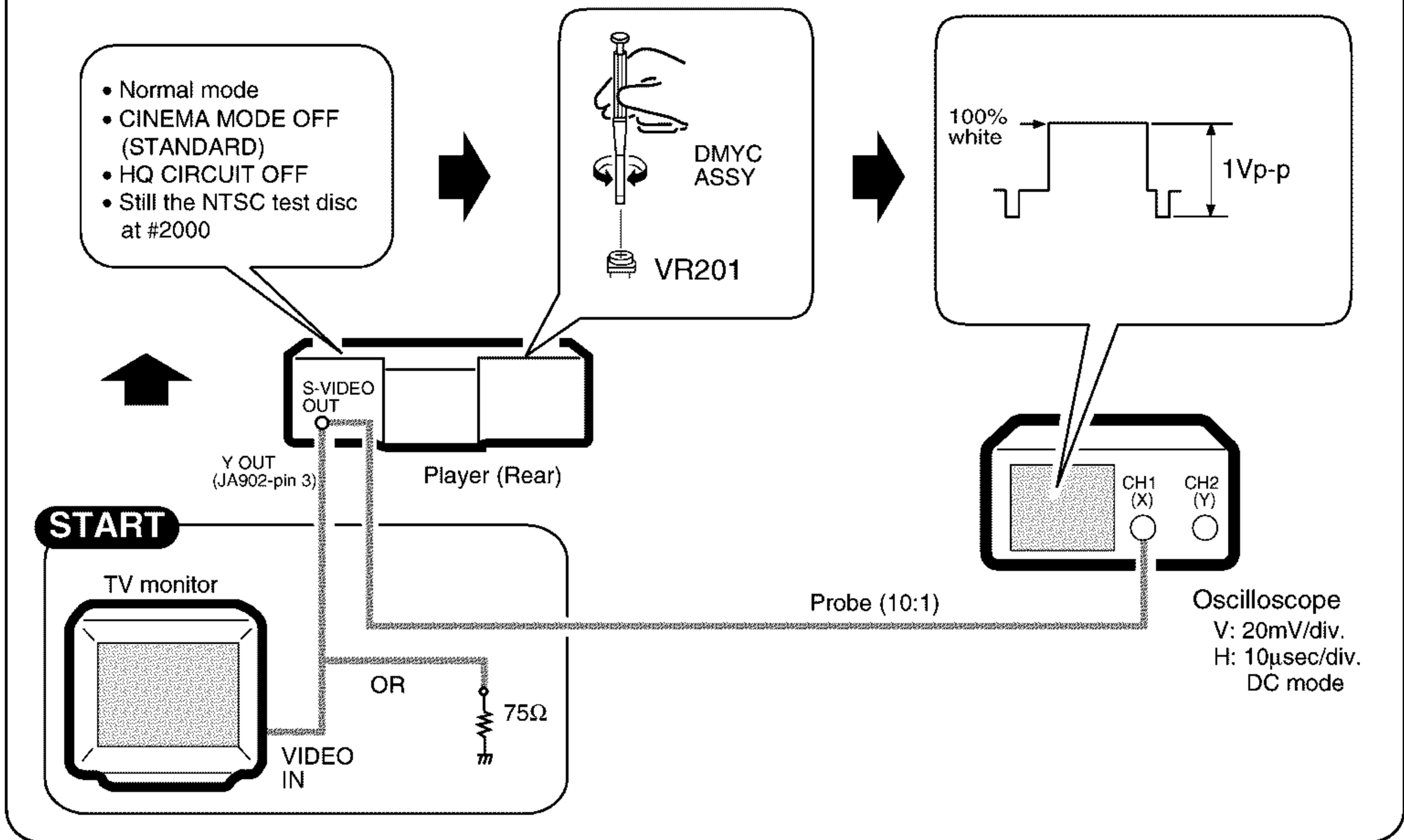
③ PAL 4.43MHz Free-run Frequency Adjustment for RGB Decoder



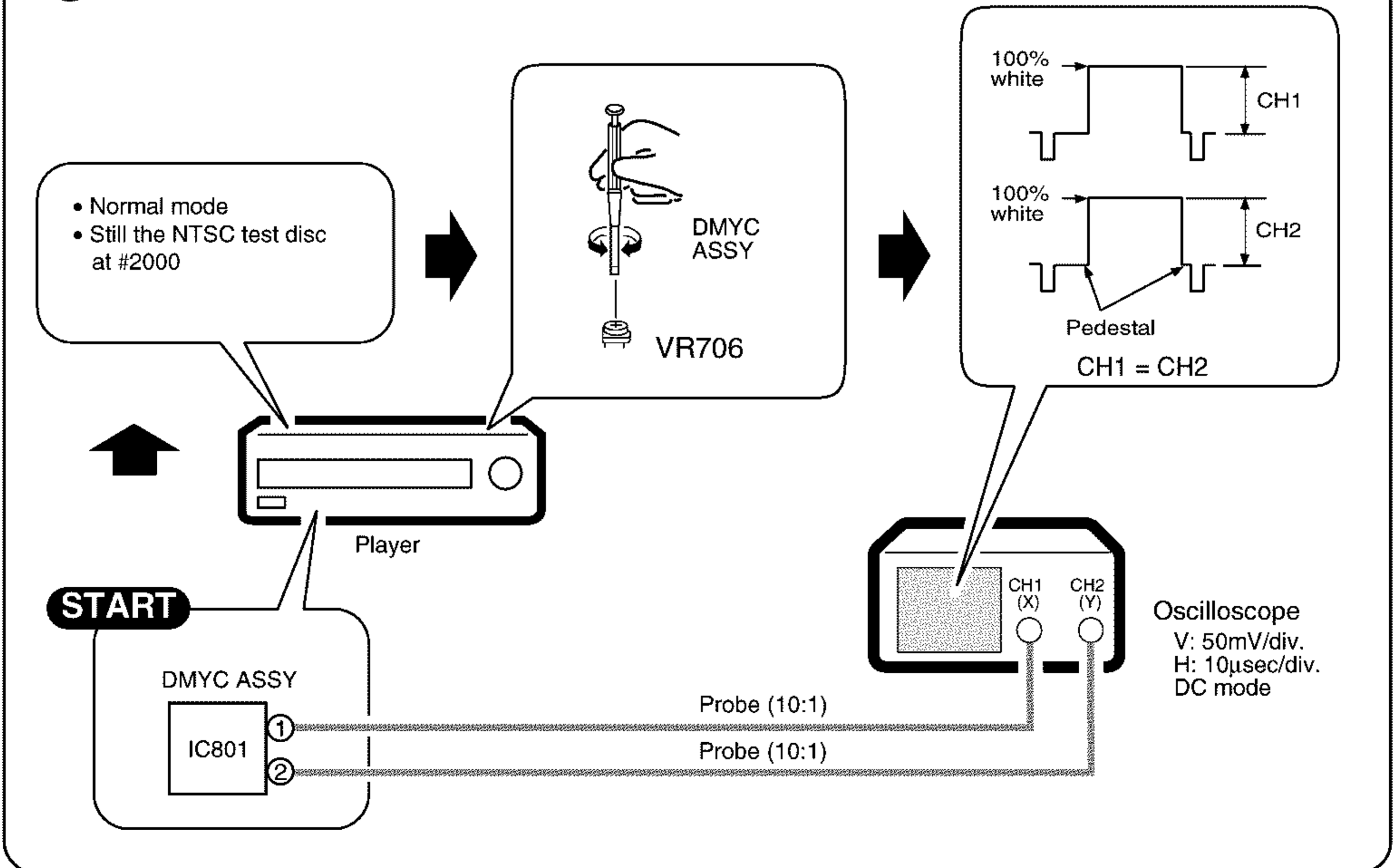
④ NTSC 3.58MHz Free-run Frequency Adjustment for RGB Decoder



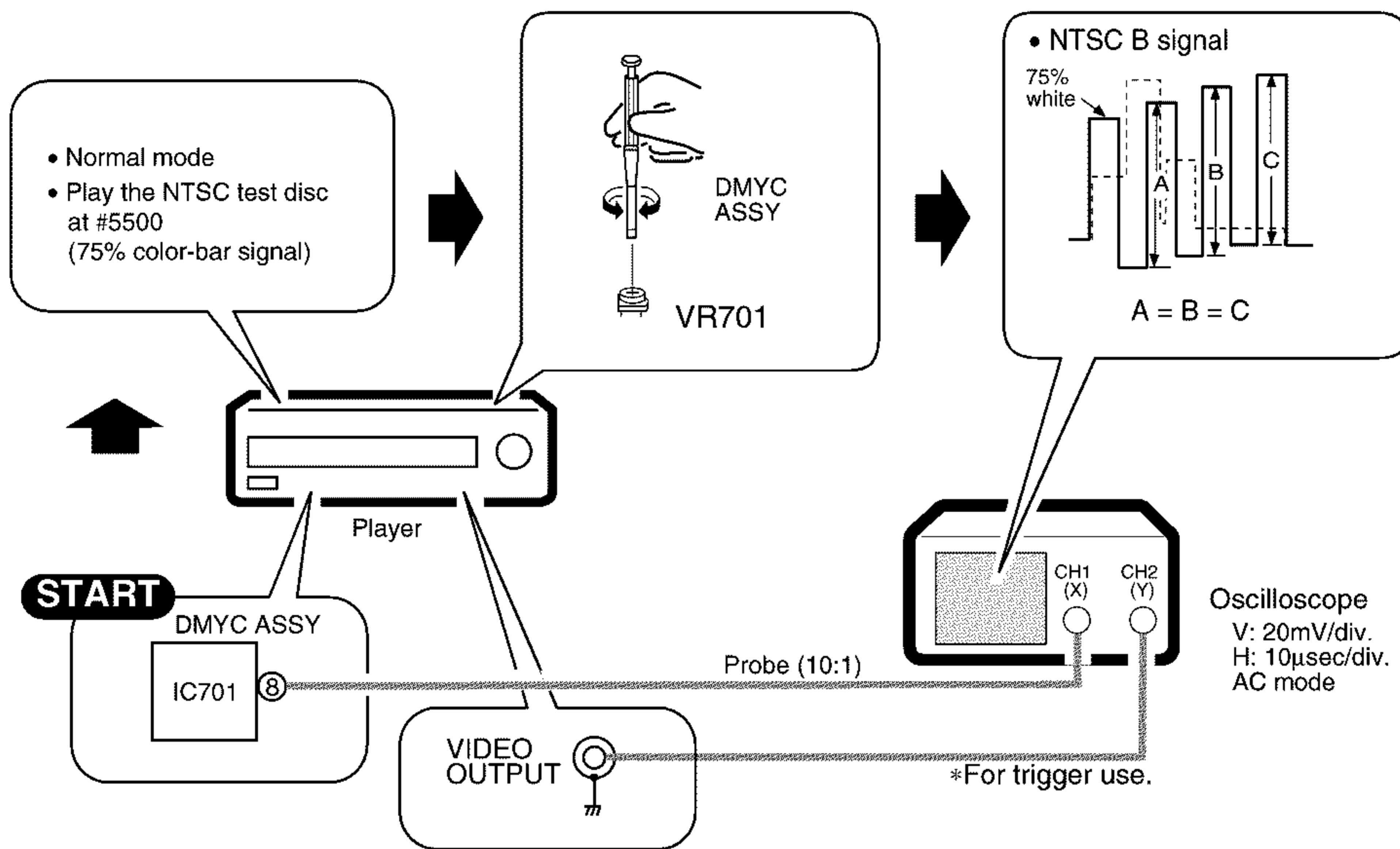
5) NTSC Y Level Adjustment



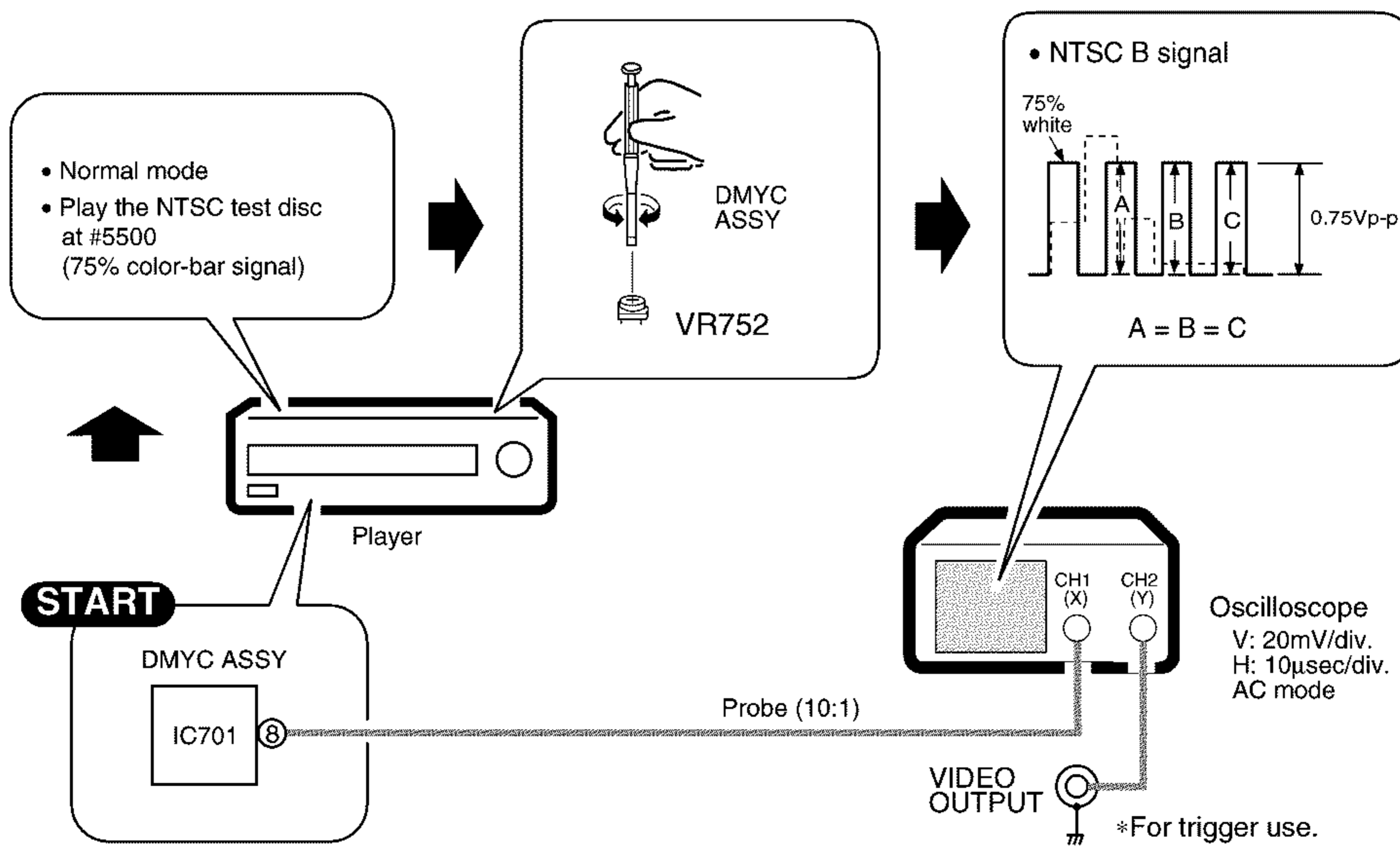
6) RGB Decoder Y Level Adjustment



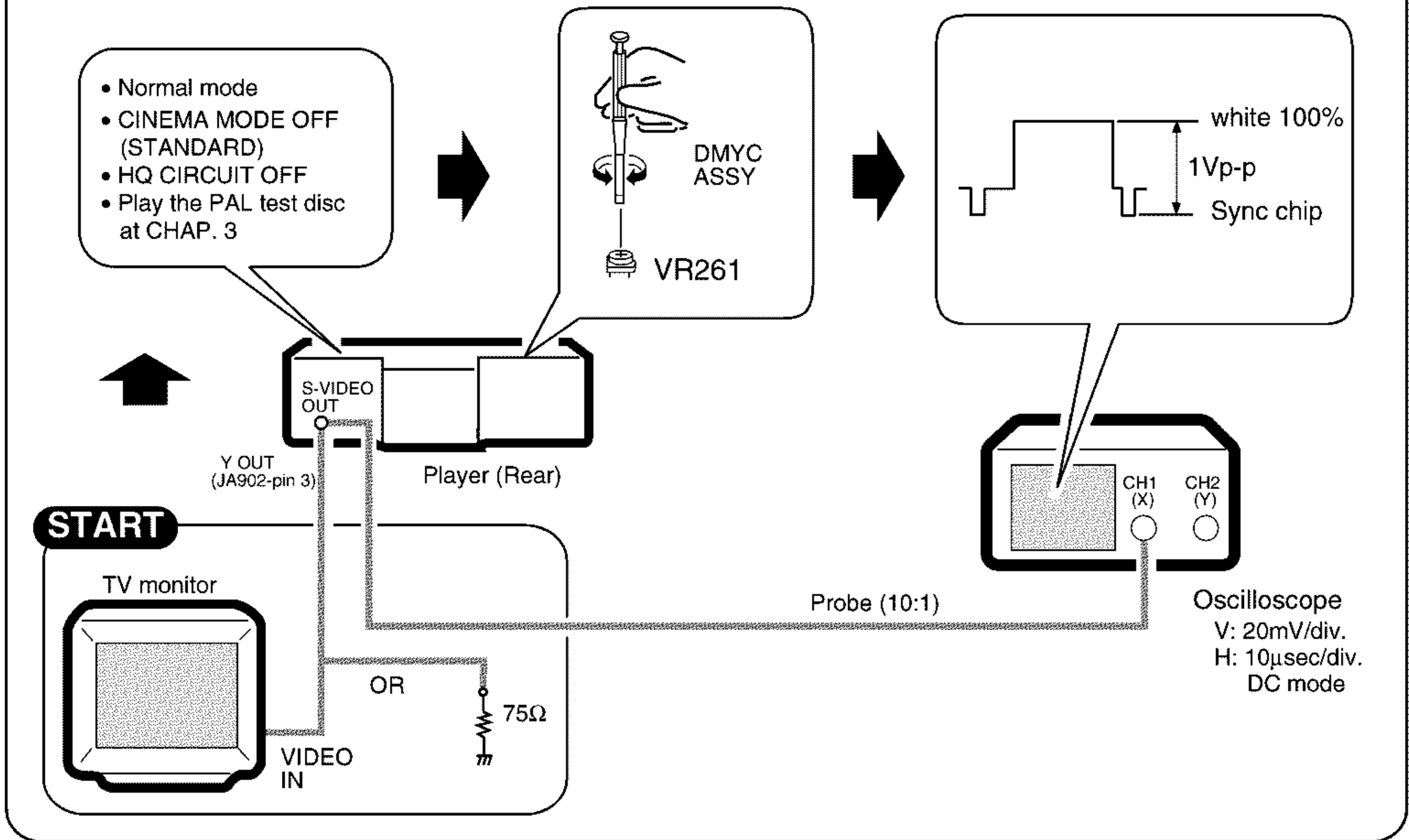
⑦ RGB Decoder HUE Adjustment



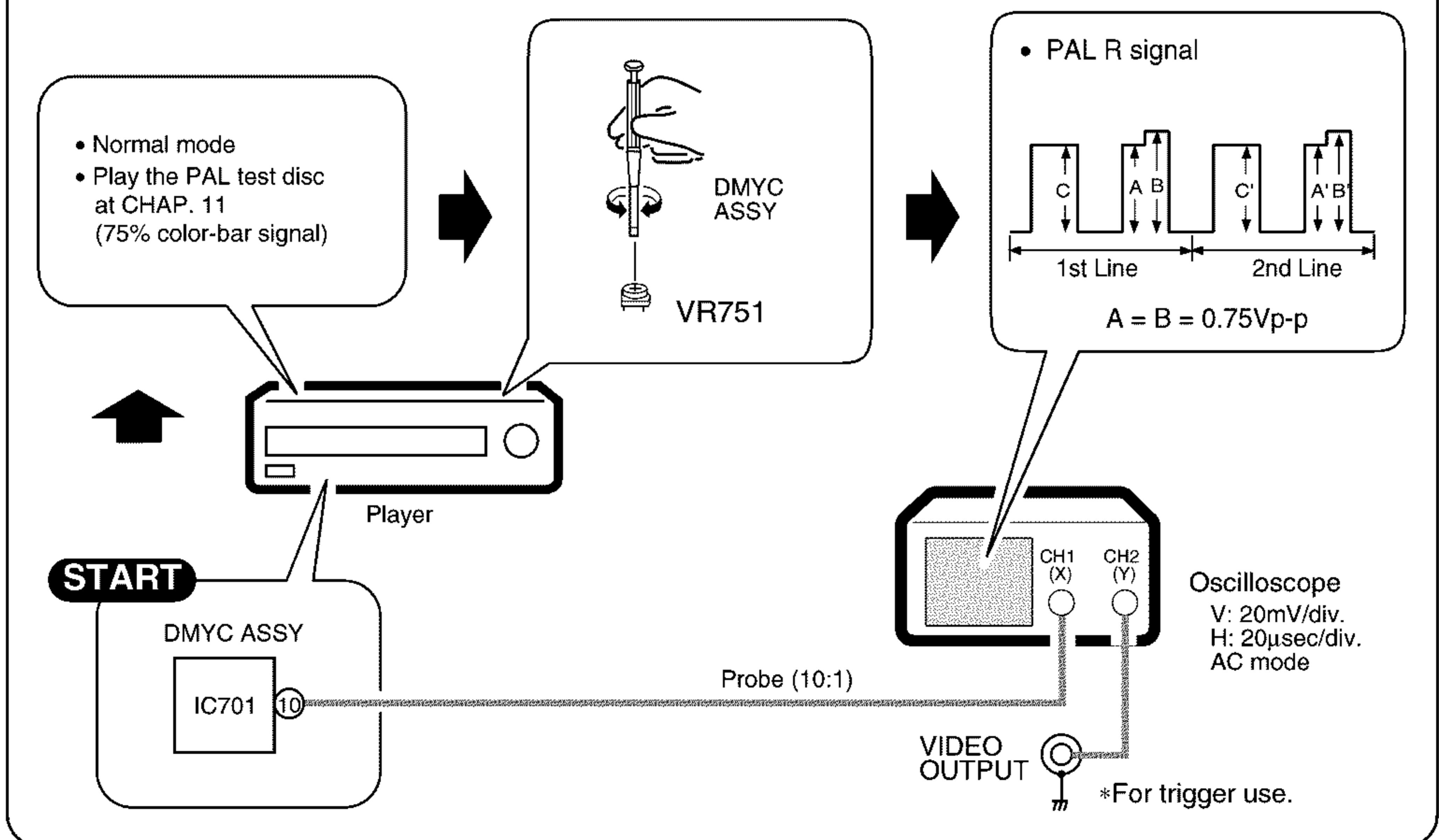
⑧ RGB Decoder NTSC Chroma Level Adjustment



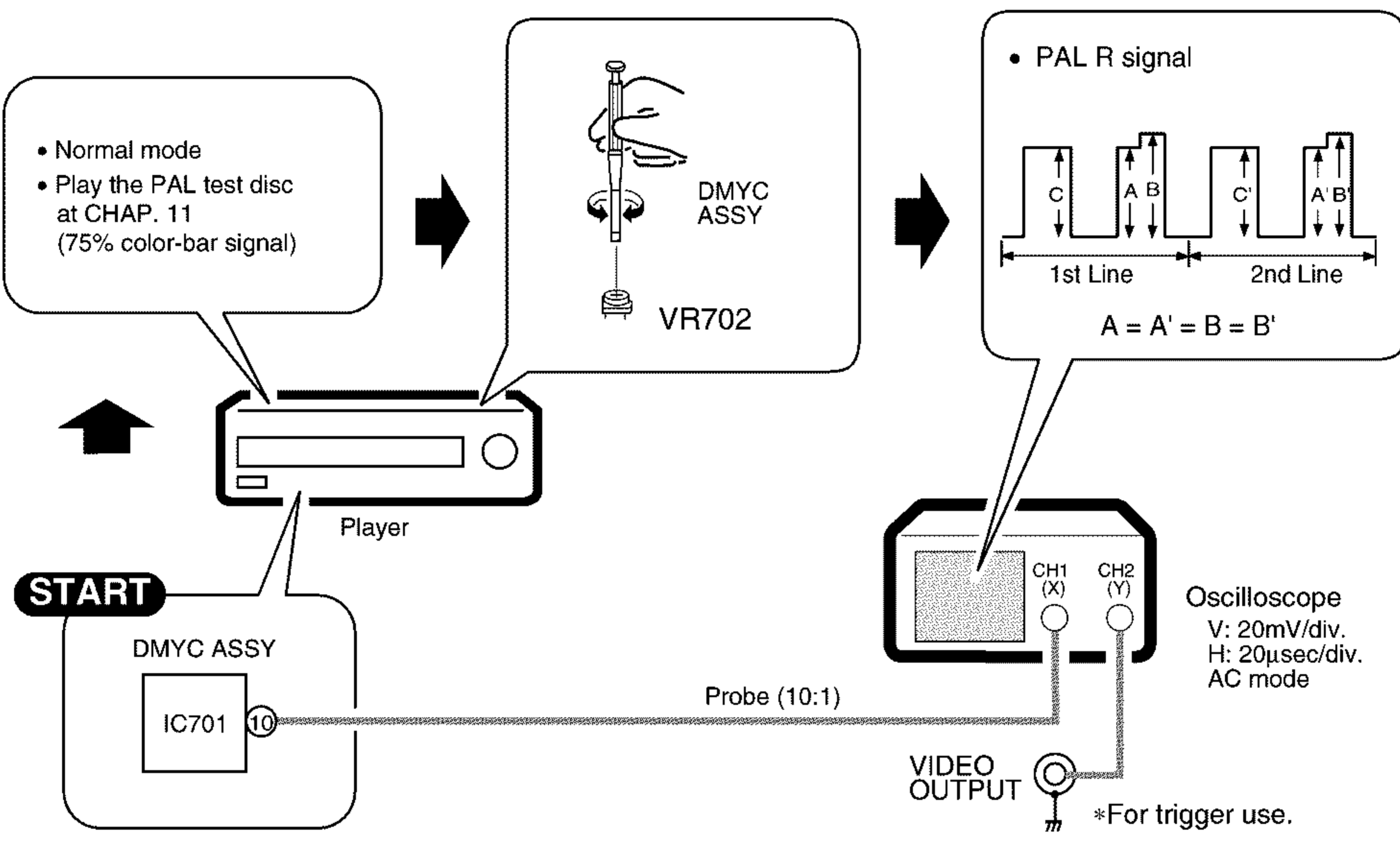
9 PAL Y Level Adjustment



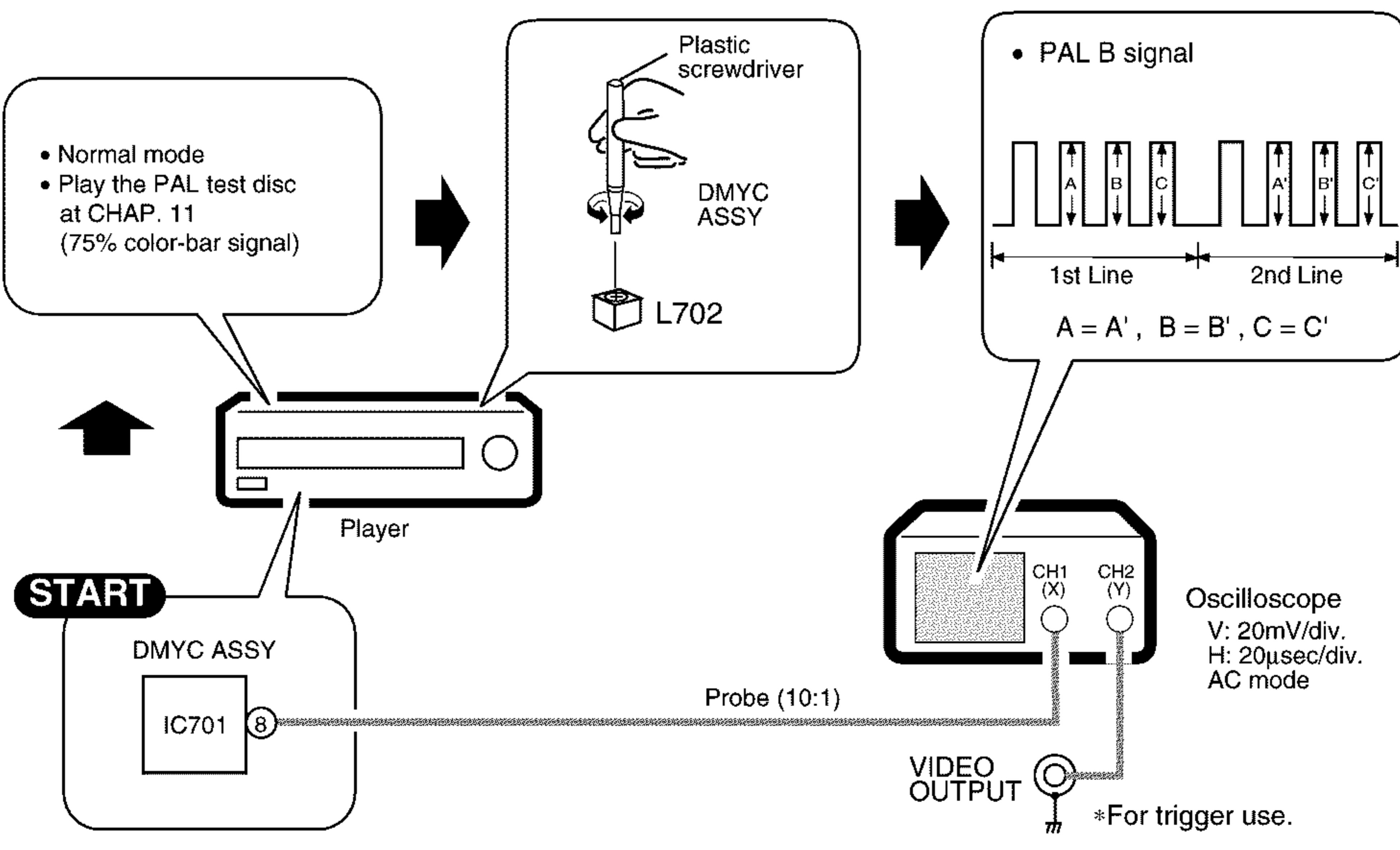
10 Coarse RGB Decoder PAL Chroma Level Adjustment



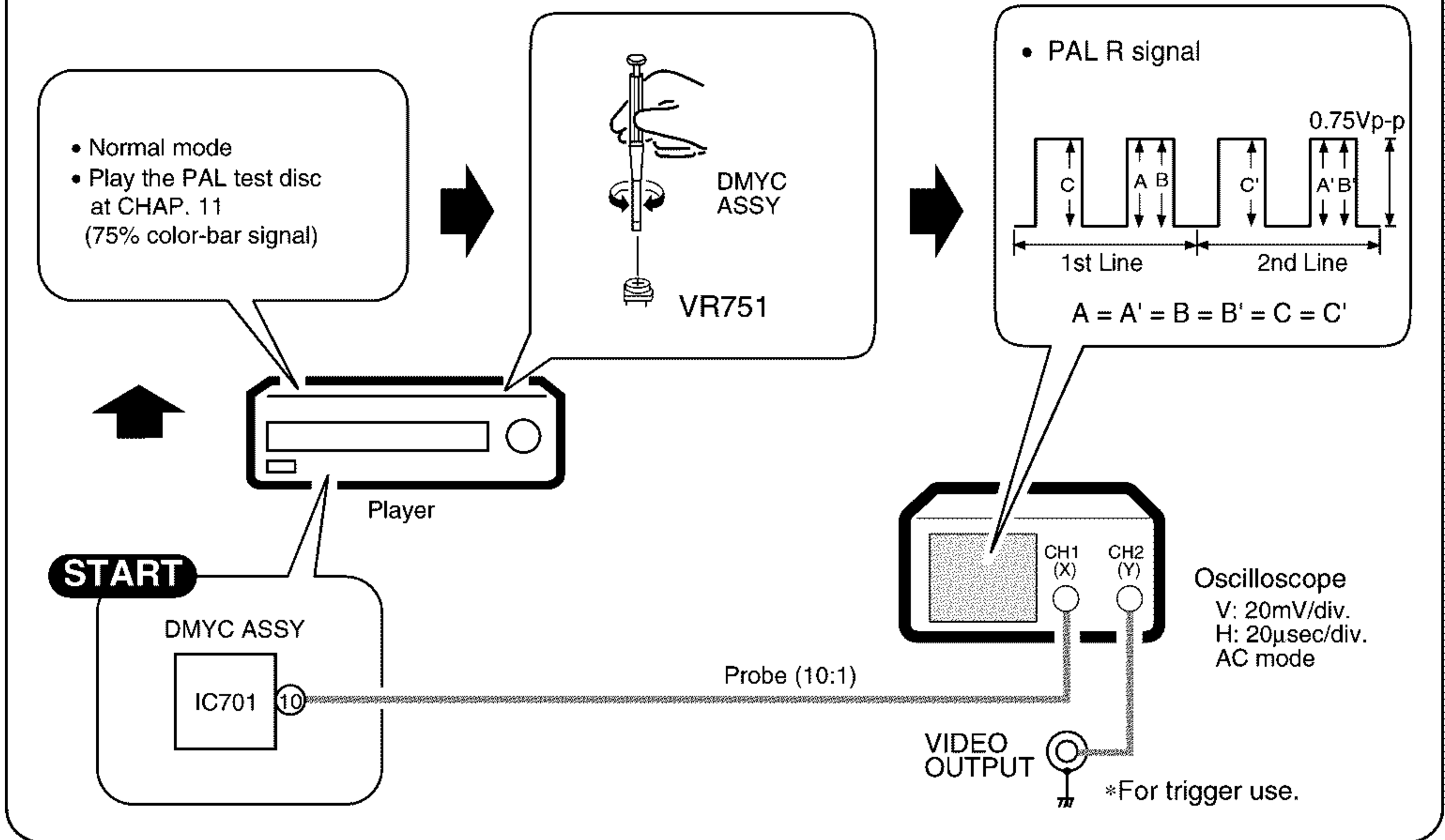
①① RGB Decoder PAL Delay Line Amp. Gain Adjustment



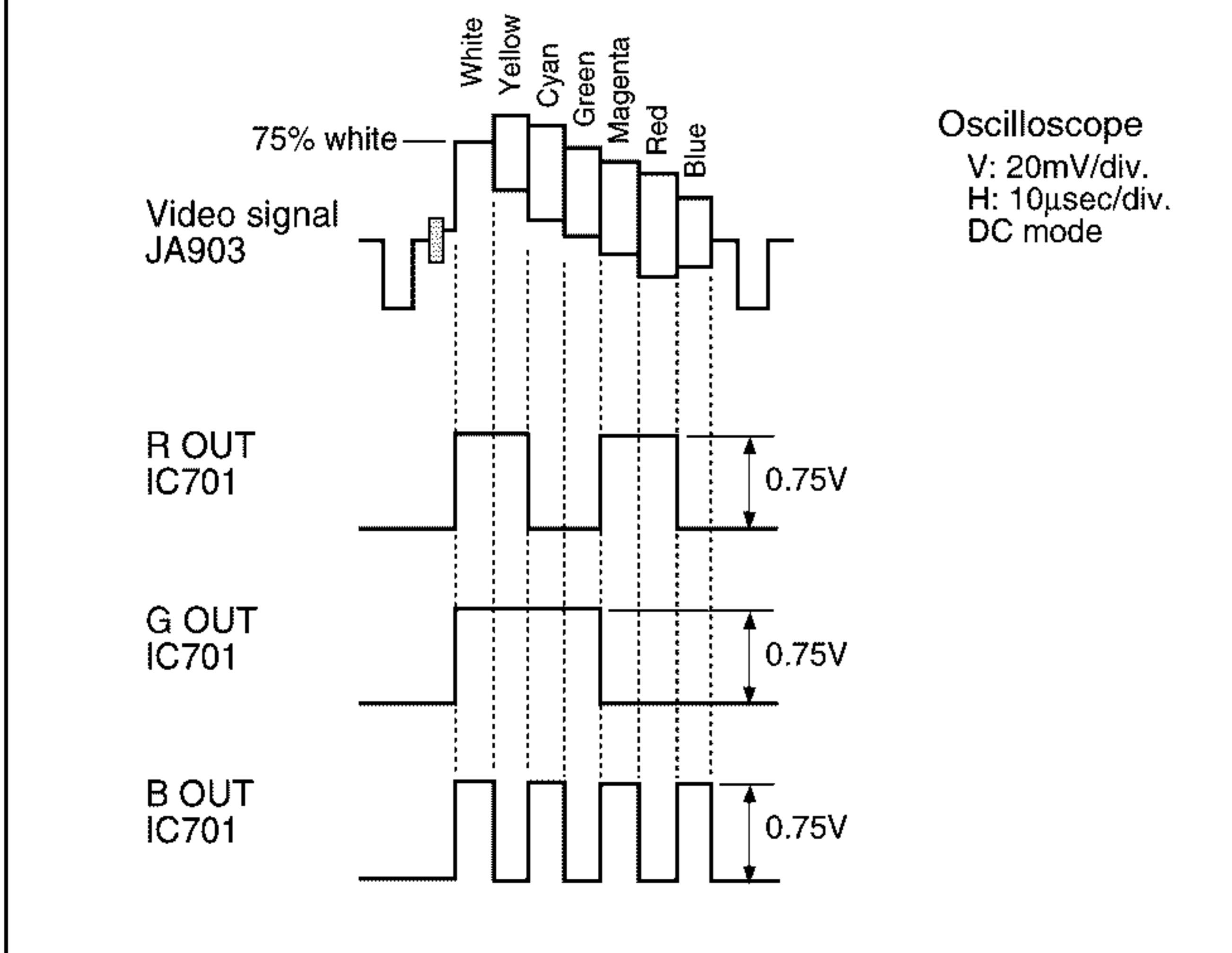
①② RGB Decoder PAL DAT Adjustment



13 Fine RGB Decoder PAL Chroma Level Adjustment

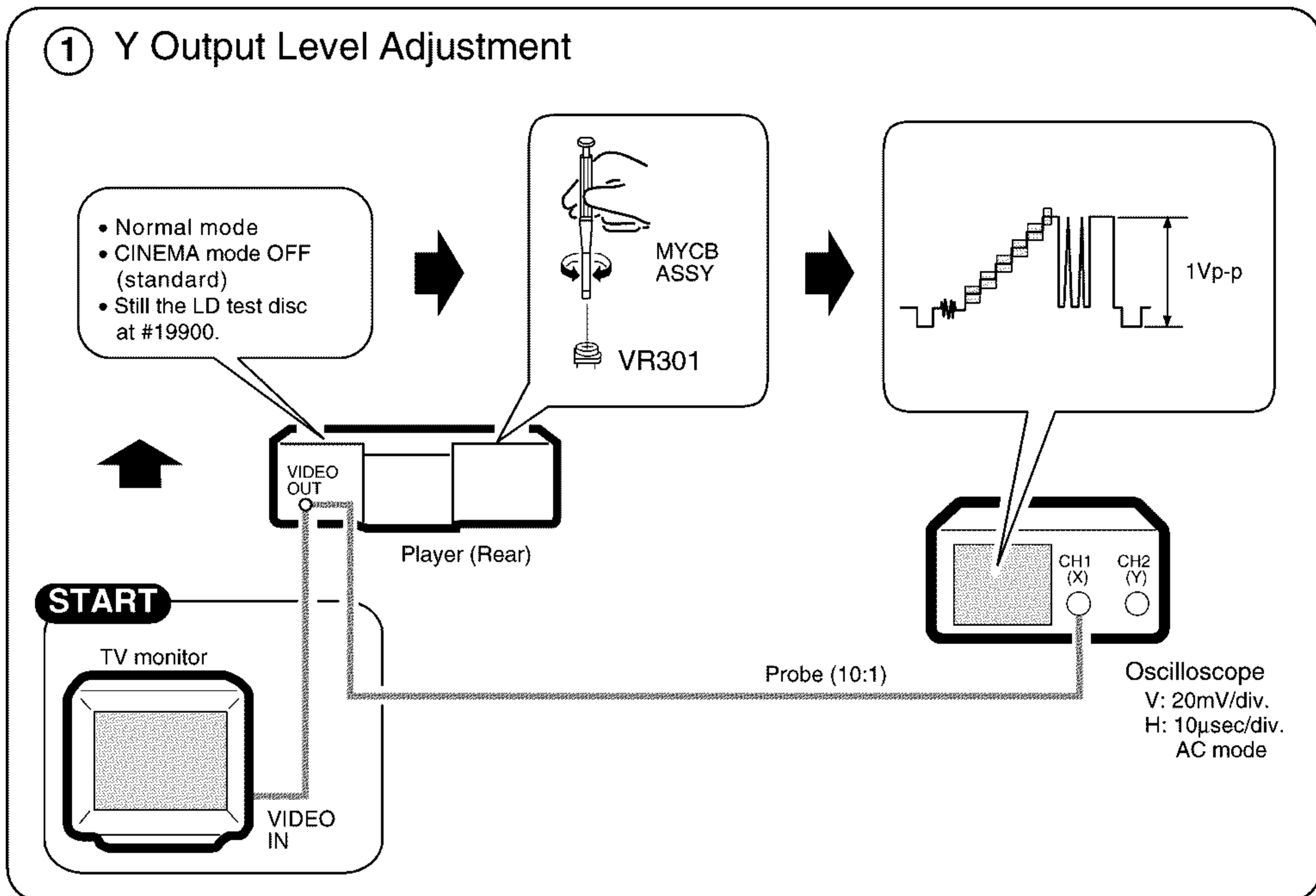


- The signal relations between the 75% color-bar signal and each R,G,B signal



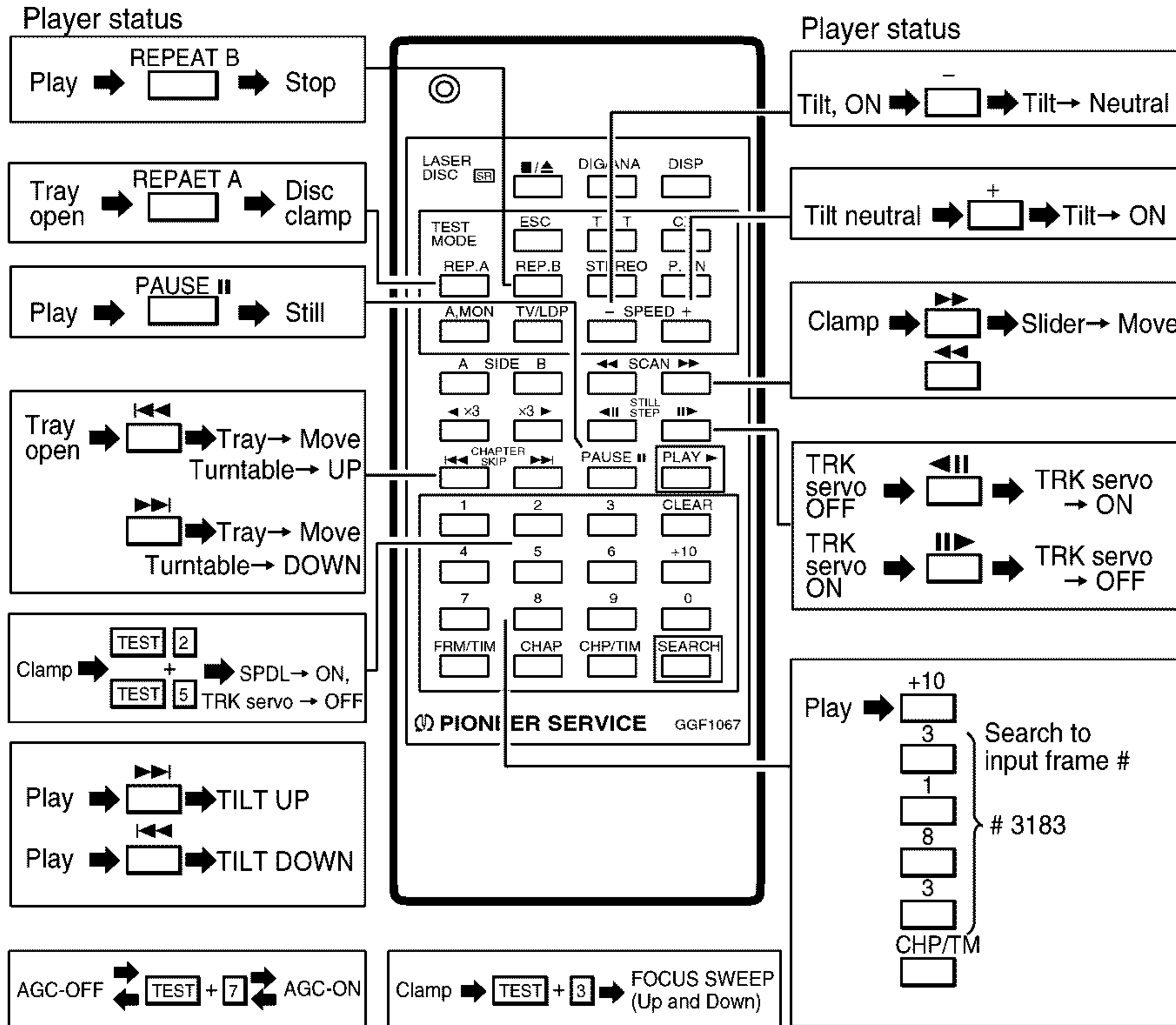
6.10 ELECTRICAL ADJUSTMENT FOR MYCB ASSY

① Y Output Level Adjustment

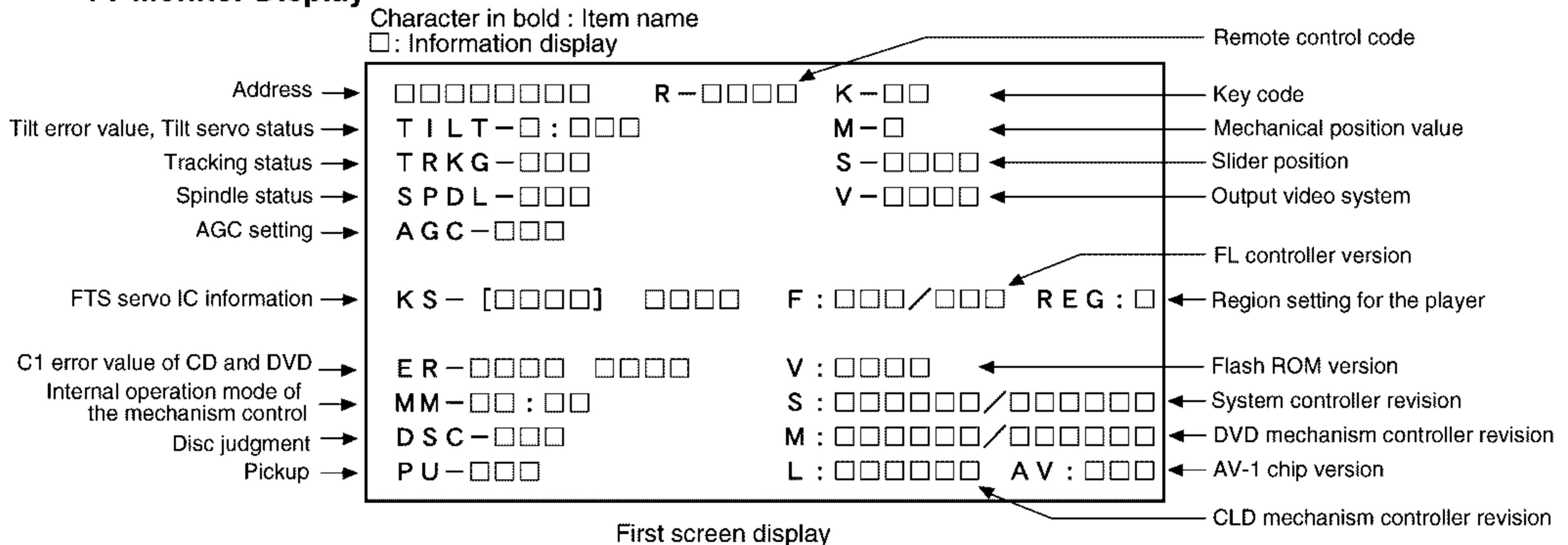


6.11 OPERATIONS IN THE TEST MODE

■ Test Mode Remote Control Unit (GGF1067)

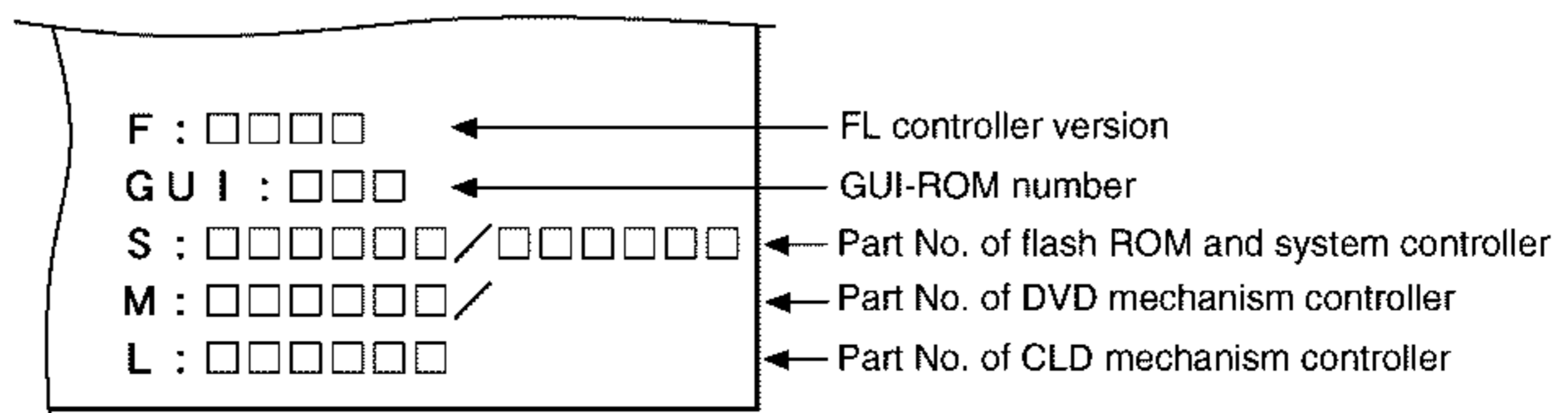


■ TV Monitor Display



First screen display

Note : Switch the first and second screen by pressing the [DISPLAY] key on the remote control unit.



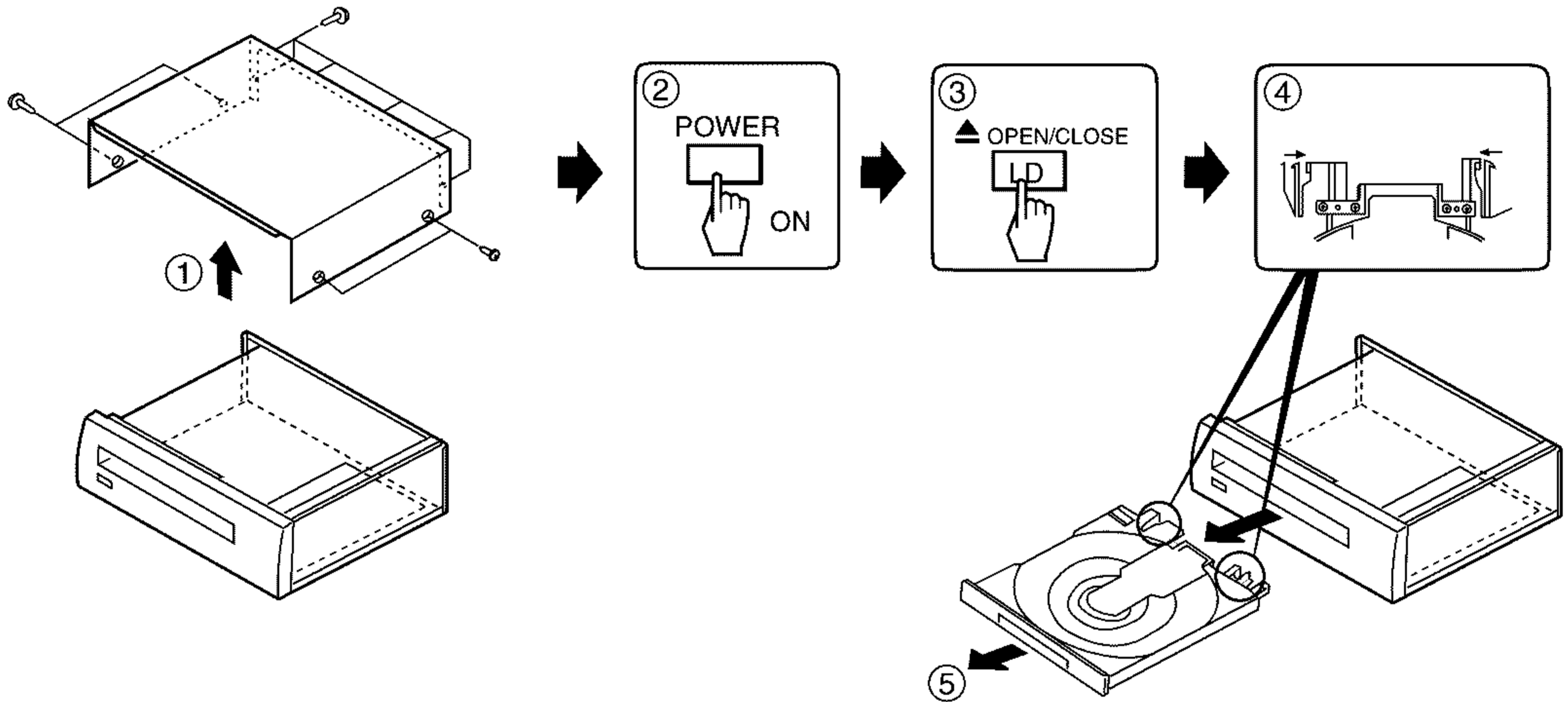
Second screen display (at lower right portion of the screen)

7. GENERAL INFORMATION

7.1 DISASSEMBLY/ASSEMBLY

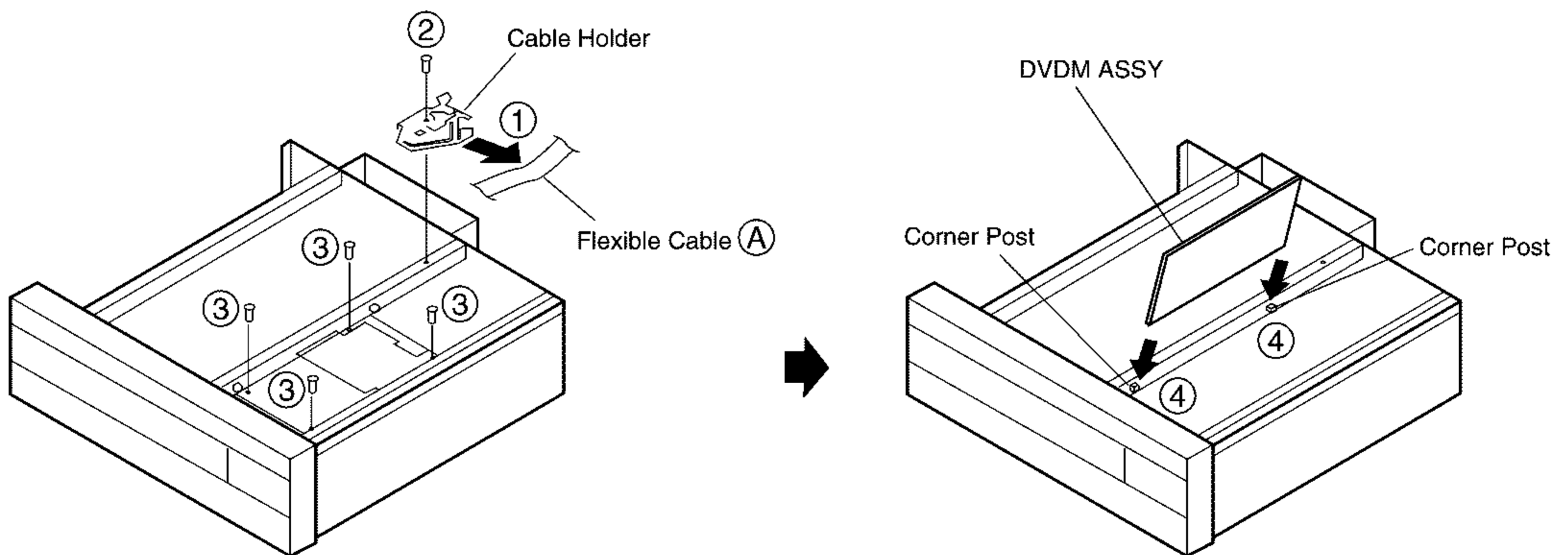
(1) DISC TRAY

- Disassembly : ① → ② → ③ → ④ → ⑤
- Assembly : ⑤ → ①



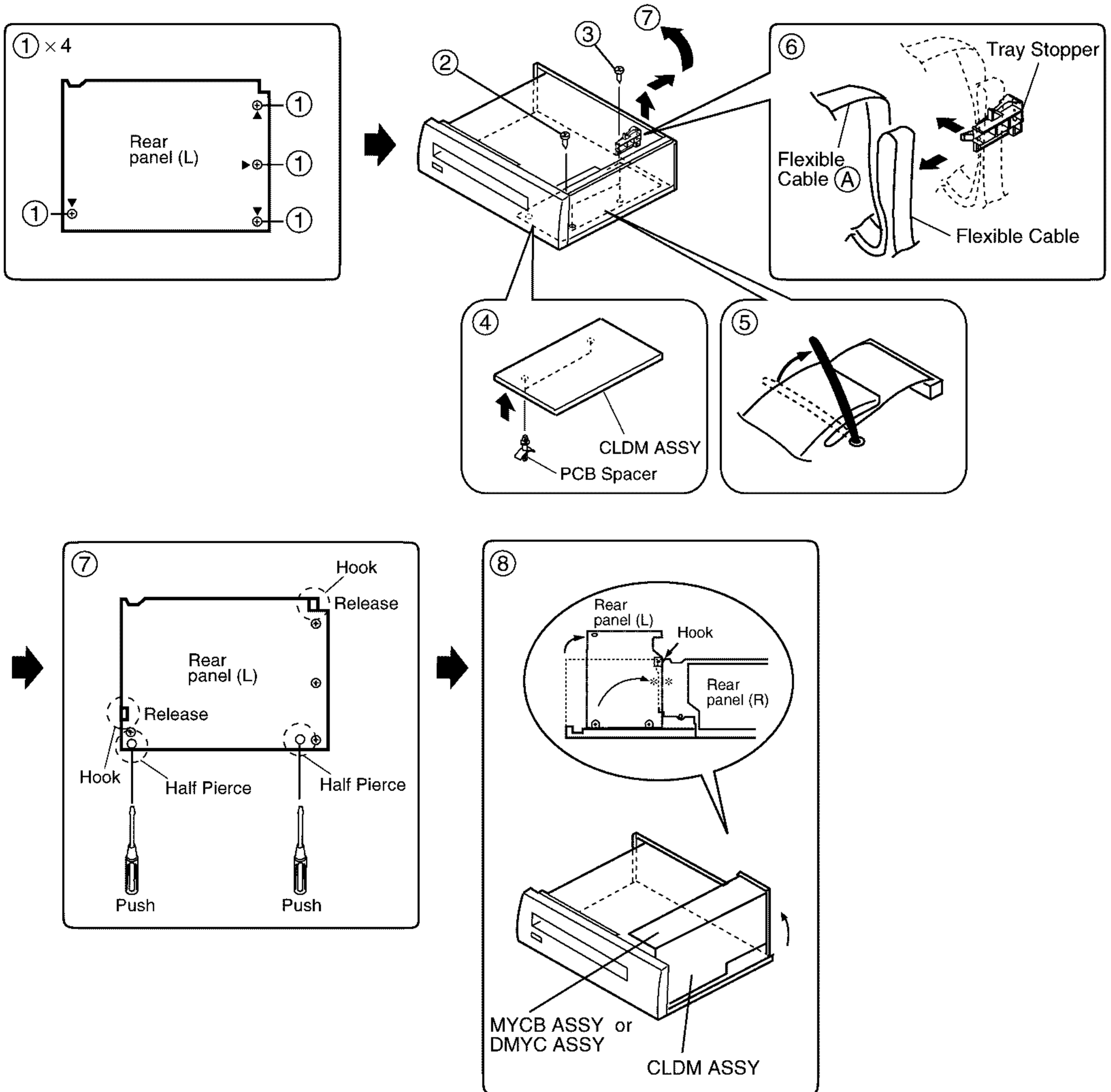
(2) DVDM ASSY

- Disassembly : ① → ② → ③ → ④
- Assembly : ④ → ③ → ② → ①



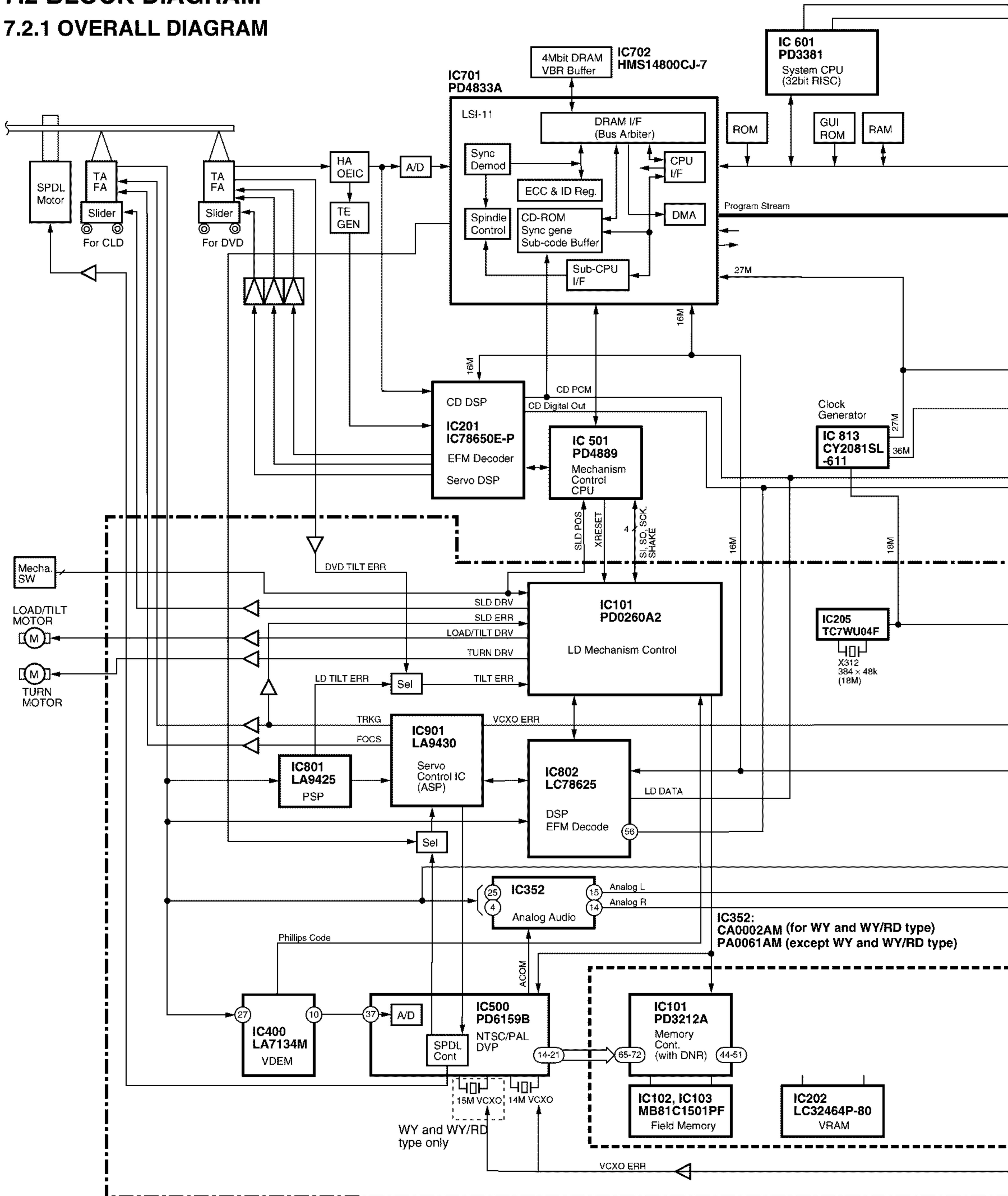
(3) CLDM ASSY

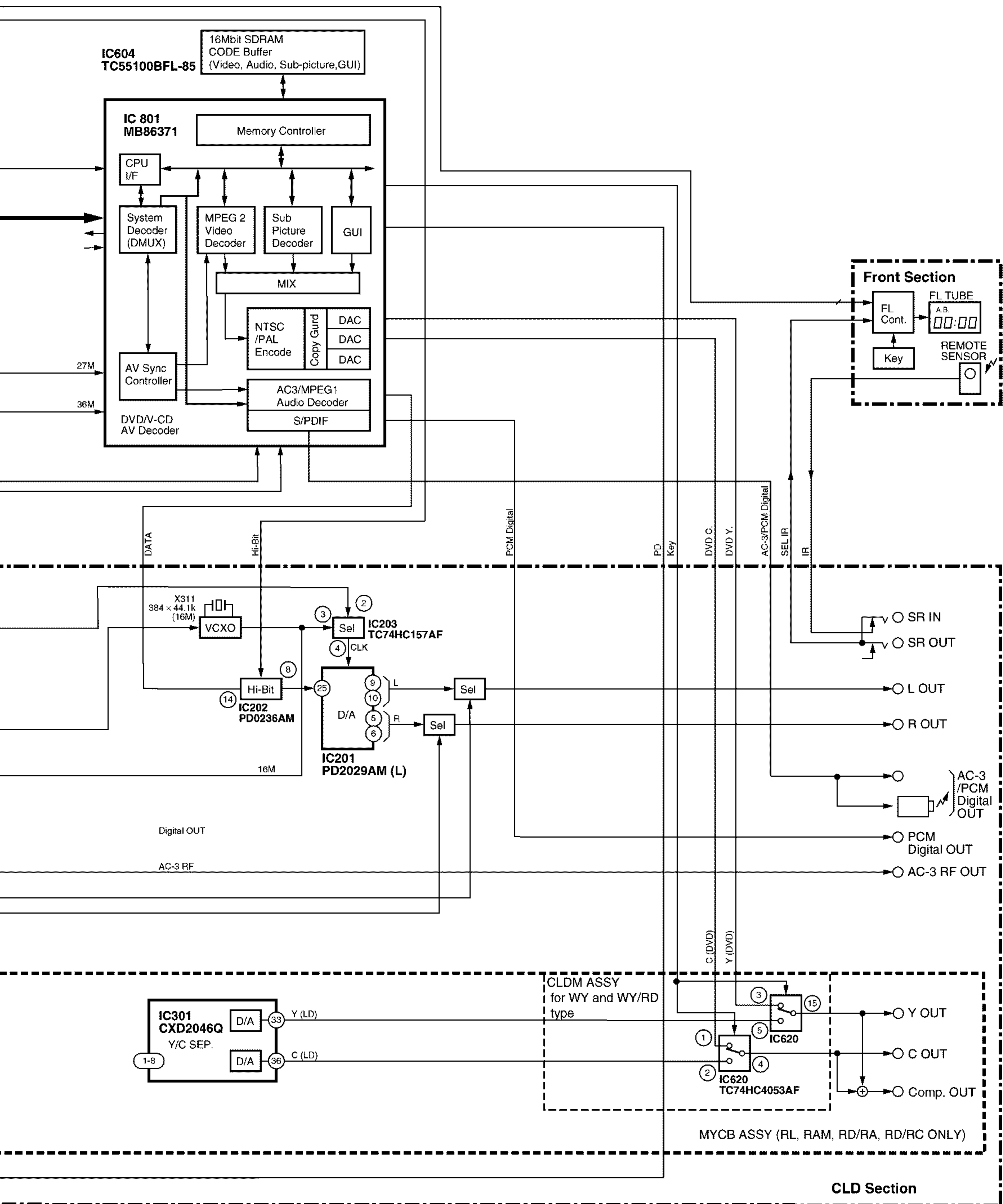
- Disassembly : ① → ② → ③ → ④ → ⑤ → ⑥ → ⑦ → ⑧
- Assembly : ⑧ → ⑦ → ⑥ → ⑤ → ④ → ③ → ② → ①



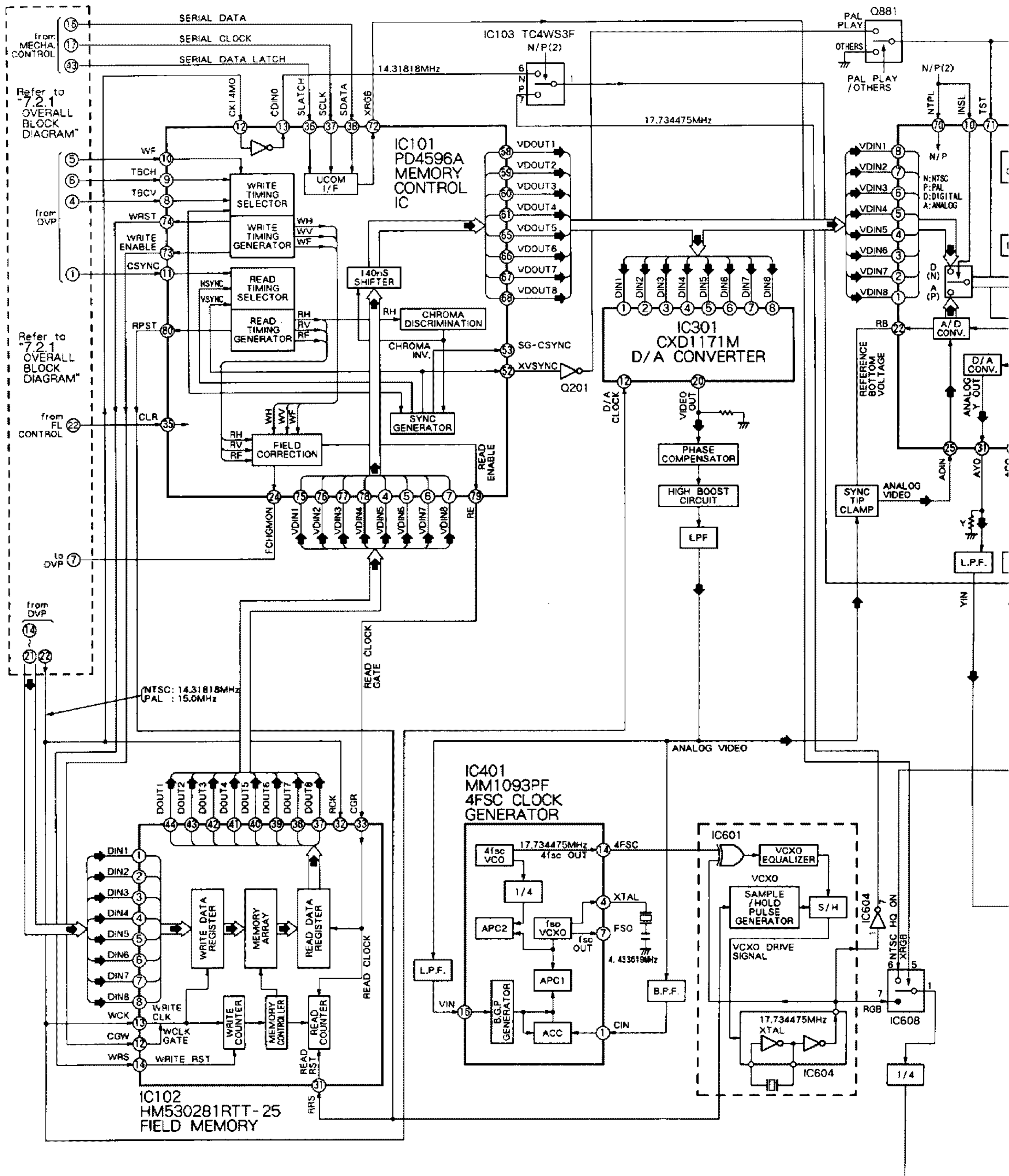
7.2 BLOCK DIAGRAM

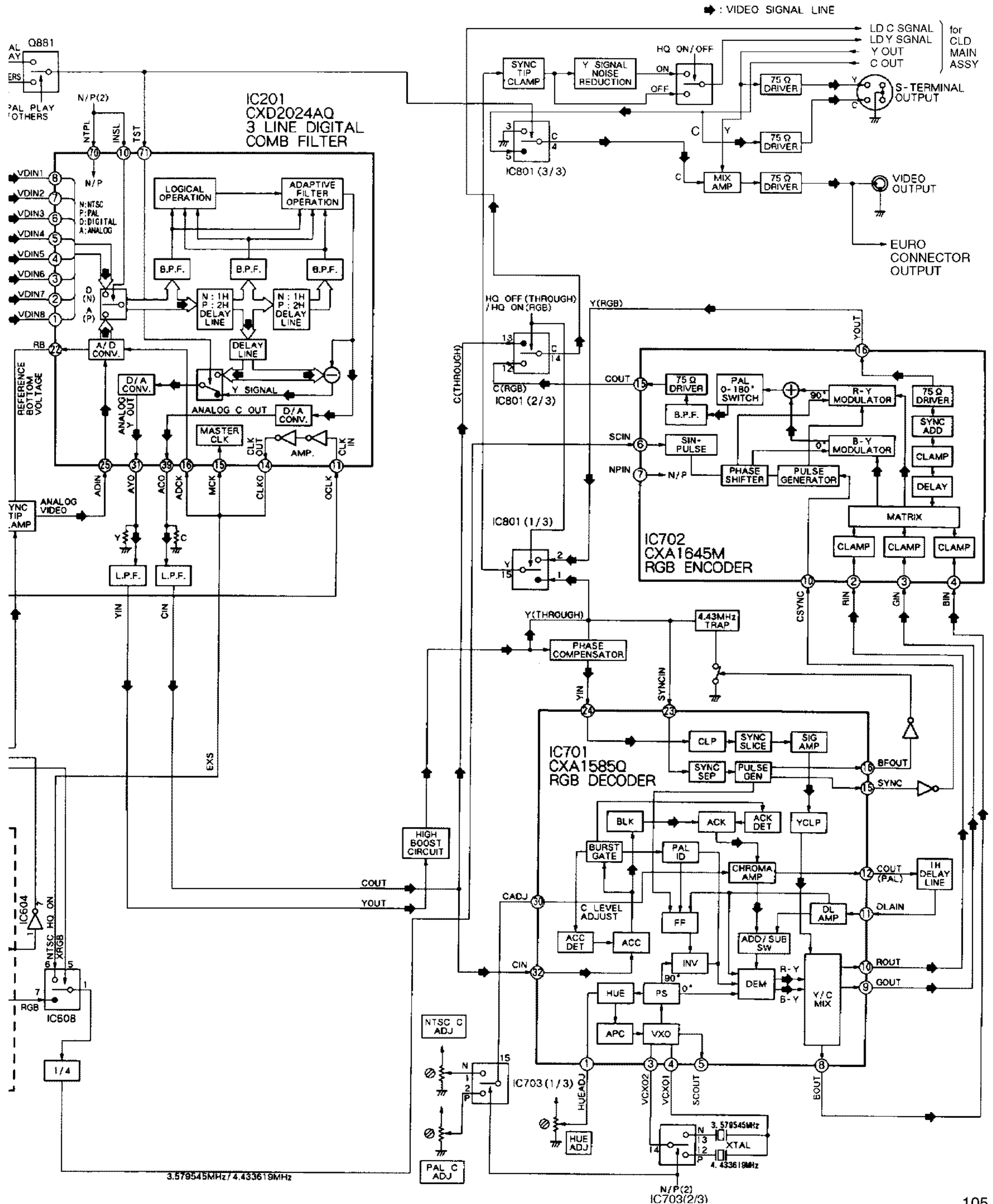
7.2.1 OVERALL DIAGRAM





7.2.2 DMYC BLOCK (WY and WY/RD TYPES ONLY)

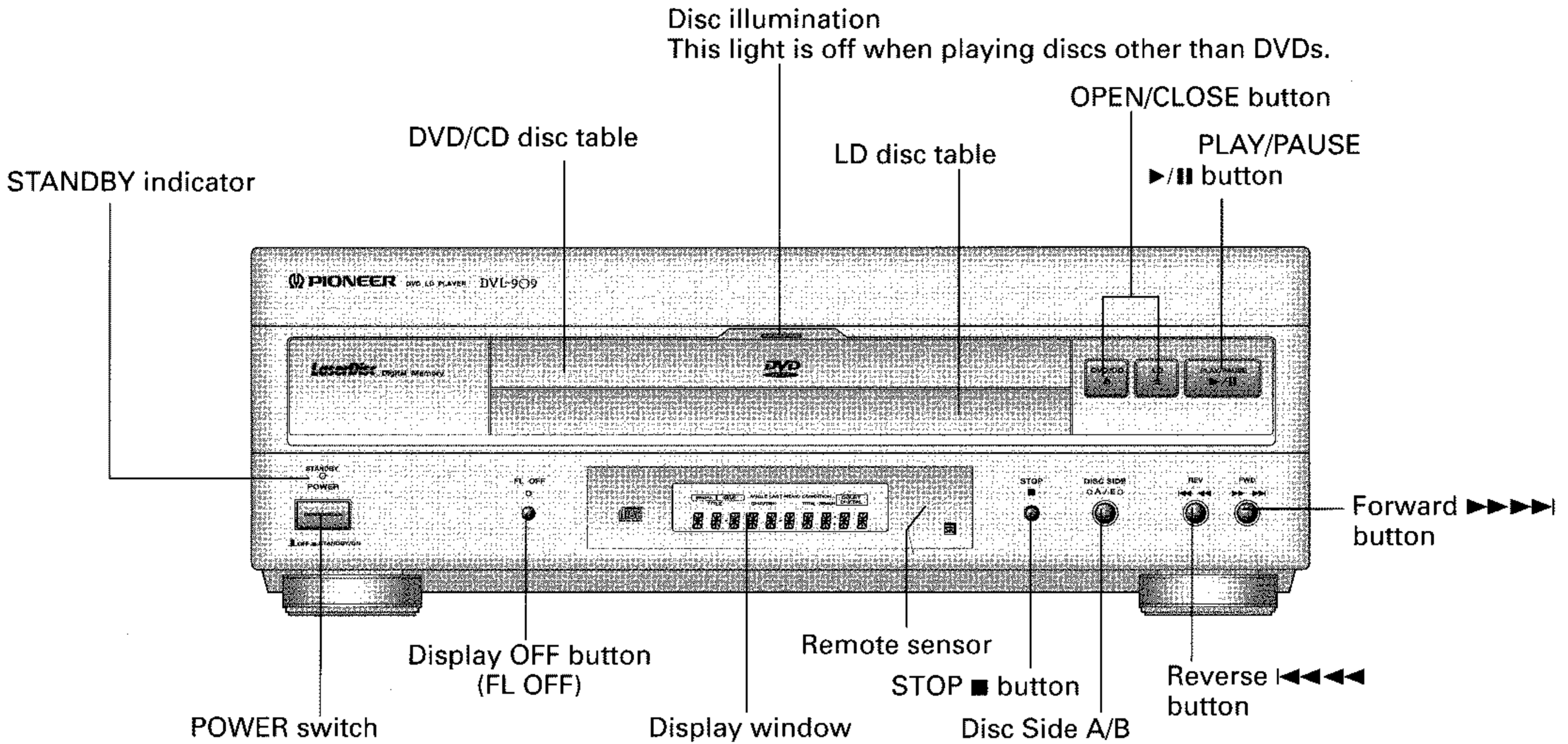




8. PANEL FACILITIES AND SPECIFICATIONS

• For DVL-909/RD/RA,RD/RC, RAM and RL types

FRONT PANEL



REAR PANEL

Digital Output Jack (Coaxial)

This is used for output of the digital audio signal recorded on CDs, Video CDs and digital audio LDs. Depending on the components connect, noise may be generated.

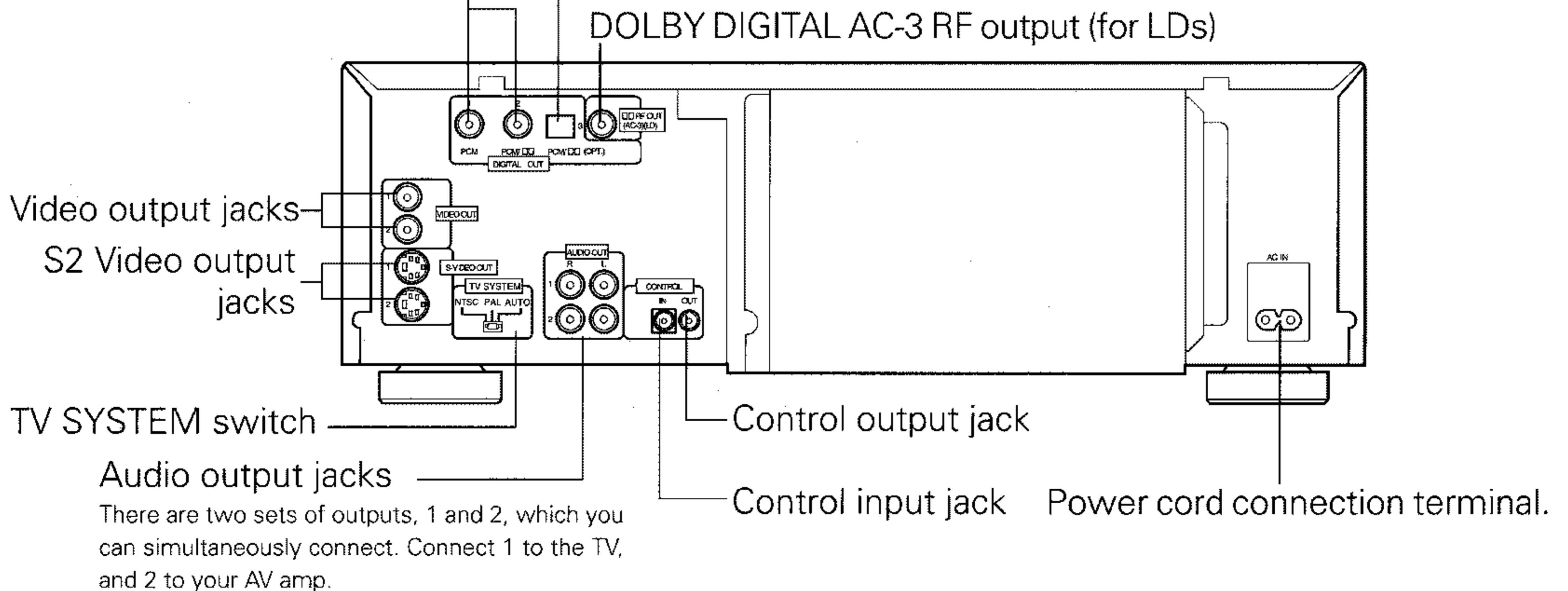
Your amp	Regular digital amplifier	Coaxial	Connect to the PCM jack, and select PCM from a menu.
		Optical	Connect to the optical jack, and select PCM from the menu.
	AC-3 compatible amplifier	Coaxial	Connect to the PCM/DOLBY DIGITAL jack, and select PCM/DOLBY DIGITAL from the menu.
		Optical	Connect to the optical jack, and select PCM/DOLBY DIGITAL from the menu.

Digital Output

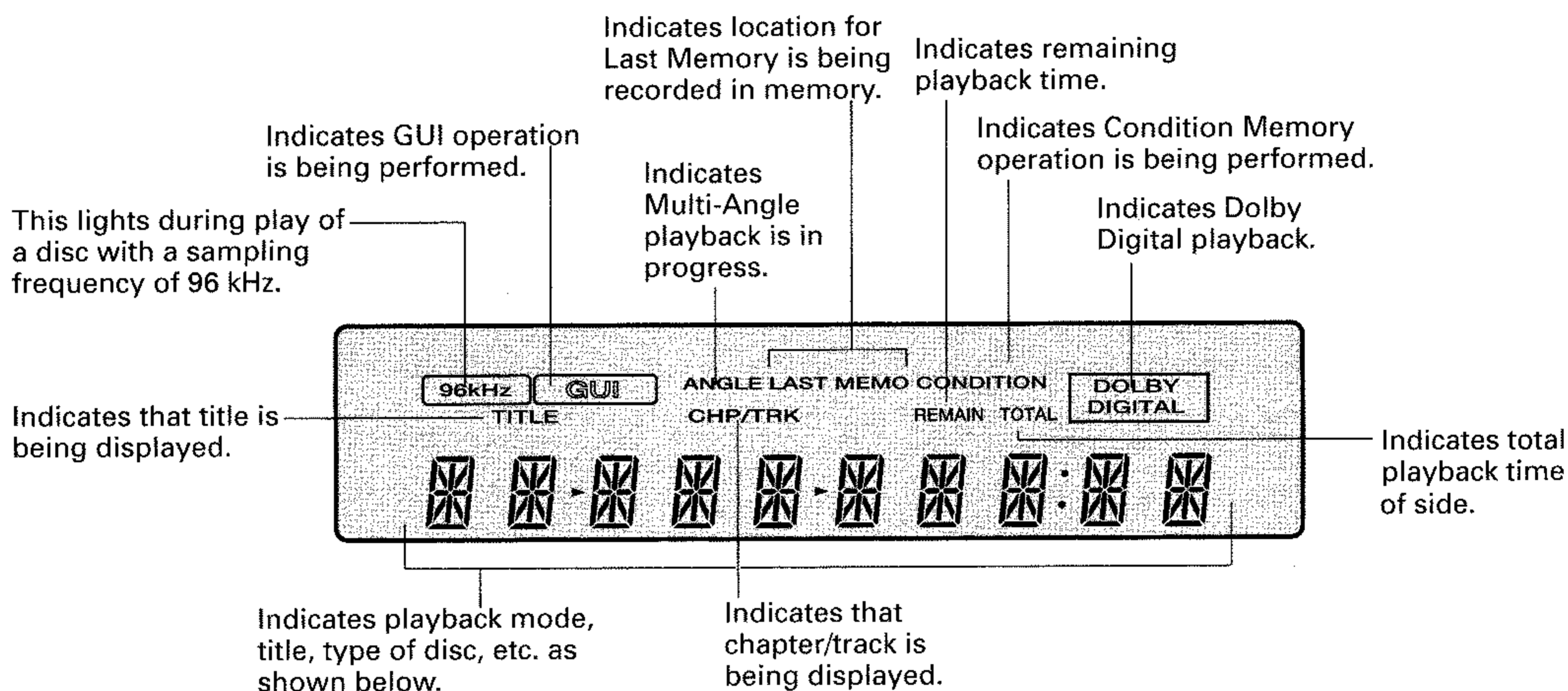
When connecting to an AC-3 compatible component, use the PCM/DOLBY DIGITAL jack. Use the PCM jack for all other components. (Refer to the chart on the right.)

Optical Digital Output

Audio optical digital output. Switchable between PCM/DOLBY DIGITAL and PCM output.

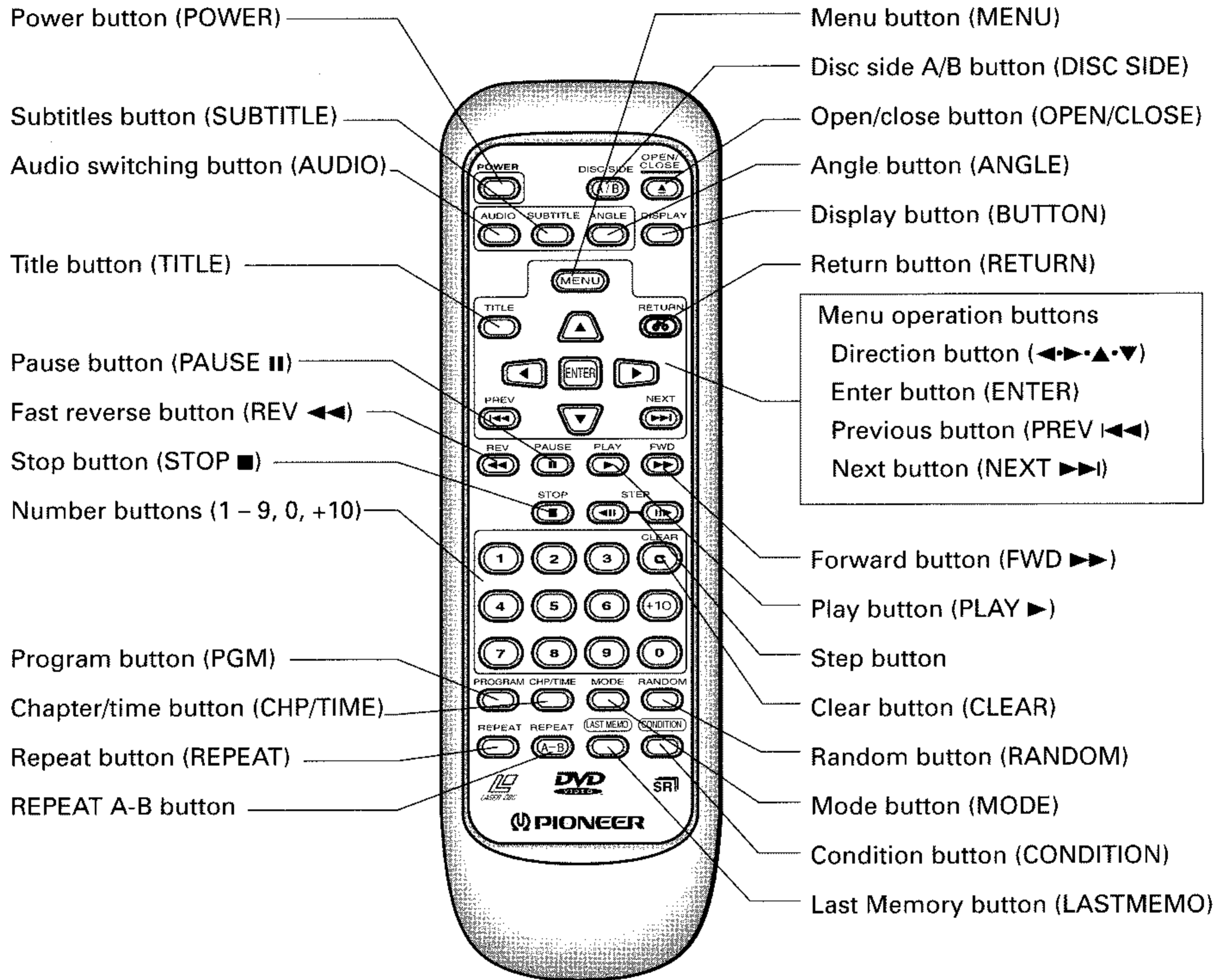


■ DISPLAY WINDOW



LD	:Laser Disc	STOP	:Stop
CD	:Compact disc	PAUSE	:Pause
CDV	:CD video	NO DISC	:No disc
DVD	:DVD	-- OFF --	:Power is turned off
VED	:Video CD	MENU	:Menu mode
PBC PLAY	:During Video CD PBC play	TITLE	:Title menu
OPEN	:Disc table is opening or is open	CHAPTER	:Chapter menu
CLOSE	:Disc table is closing	SUB-TITLE	:Subtitle menu
RDM	:Random playback	SETUP	:Set-up menu
PROGRAM	:Program mode	AUDIO	:Audio menu
PGM	:Program playback	COND-MEM	:Condition Memory
R-TRK	:Repeat mode	LAST-MEM	:Last Memory
R-A	:Start point of 2 point repeat playback		
R-AB	:2 point repeat playback		
R-TTL	:Repeat playback of the title		
R-CHP	:Repeat playback of the chapter		
R-SID	:Both sides of LD repeat playback		
STEREO	:Stereo		
PLAY	:Playback		

■ REMOTE CONTROL



■ SPECIFICATIONS

● For DVL-909/RD/RA,RD/RC, RAM and RL types

General

System DVD system, LaserVision Disc system and Compact Disc digital audio system
 Laser Semiconductor laser: wavelength 650 nm, 780 nm
 Power requirements: AC 110 – 127/220 – 240 V, 50/60 Hz
 Power consumption 57 W
 Weight 8.9 kg
 Dimensions 420 (W) x 464 (D) x 146 (H) mm
 (Not including protruding cables, etc.)
 Operating temperature +5°C to +35°C
 Operating humidity 5% to 85% (no condensation)

Video Output (2 pairs)

Output level 1 Vp-p (75 Ω when loaded, synchronous negative)
 Jacks RCA jacks

S-Video Output level (2 pairs)

Y (luminance) - Output level 1 Vp-p (75 Ω)
 C (color) - Output level 286 mVp-p (75 Ω)
 Jacks S-VIDEO jacks

Audio Output (2 pairs)

Output level
 During digital audio output 200 mVrms (1 kHz, -20 dB)
 Number of channels 2
 Jacks RCA jacks

Digital audio characteristics

Frequency response	4 Hz to 22 kHz (DVD fs: 48 kHz) 4 Hz to 20 kHz (LD, CD)
S/N ratio	115 dB (EIAJ)
Dynamic range	97 dB (EIAJ)
Total harmonic distortion	0.003 %
Wow and flutter	Limit of measurement (±0.001% W. PEAK) or lower (EIAJ)

Other Terminals

Optical digital output (PCM/□□) Optical digital jack
 Coaxial digital output (PCM/□□) RCA jack
 Coaxial digital output (PCM) RCA jack
 AC-3 RF output (for LD) RCA jack
 CONTROL IN Minijack (3.5ø)
 CONTROL OUT Minijack (3.5ø)

Accessories

Remote control unit 1
 AA/R6P dry cell batteries 2
 Audio cord 1
 Video cord 1
 Power cord 1
 Operating Instructions 1
 Warranty card 1
 (With region number "1" models only)

NOTE:

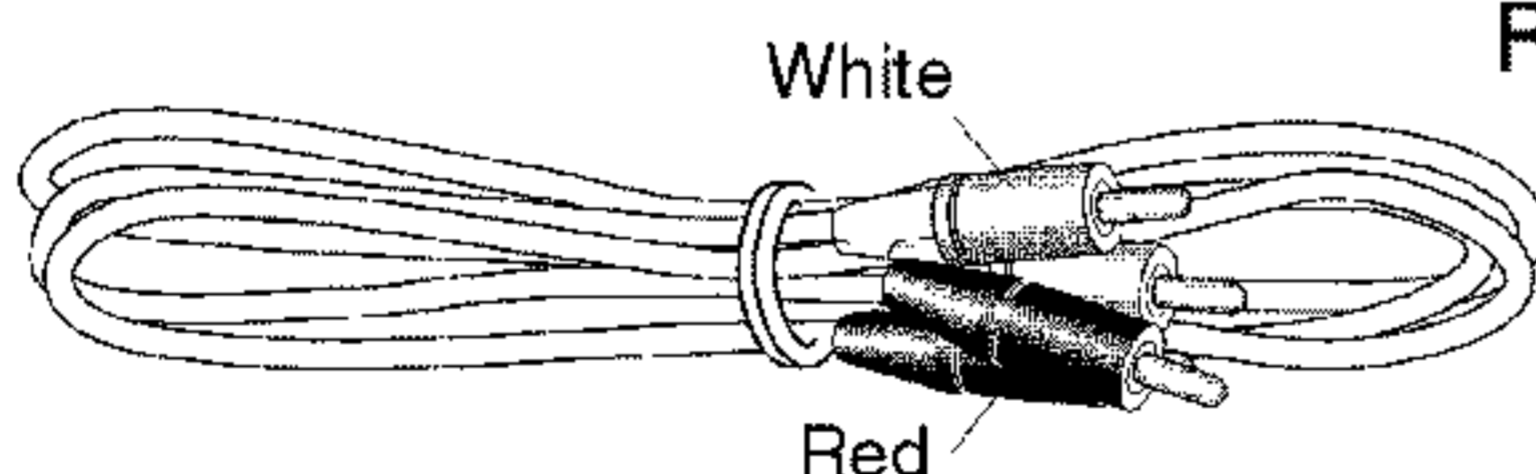
The specifications and design of this product are subject to change without notice, due to improvement.

"Dolby, Digital (AC-3)" and the double-D symbol are trademarks of Dolby Laboratories Licensing Corporation.

■ ACCESSORIES

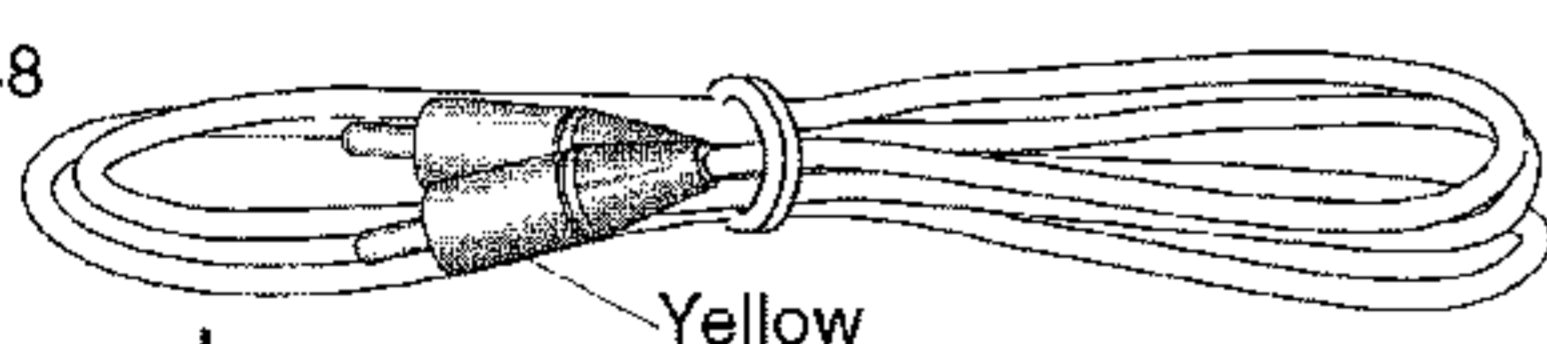
Audio cord

VDE1033
 L=1.5m



Video cord

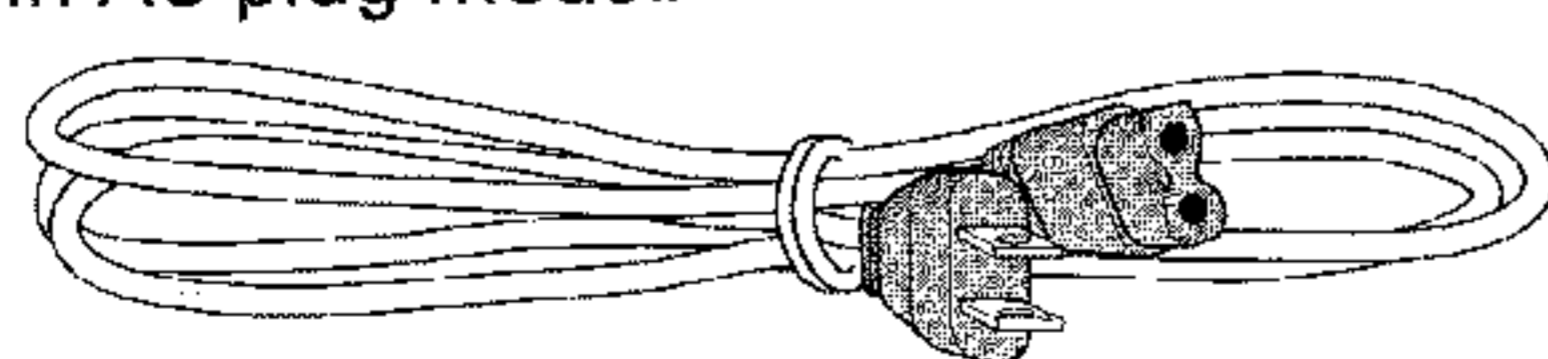
VDE1048
 L=1.5m



Power cord

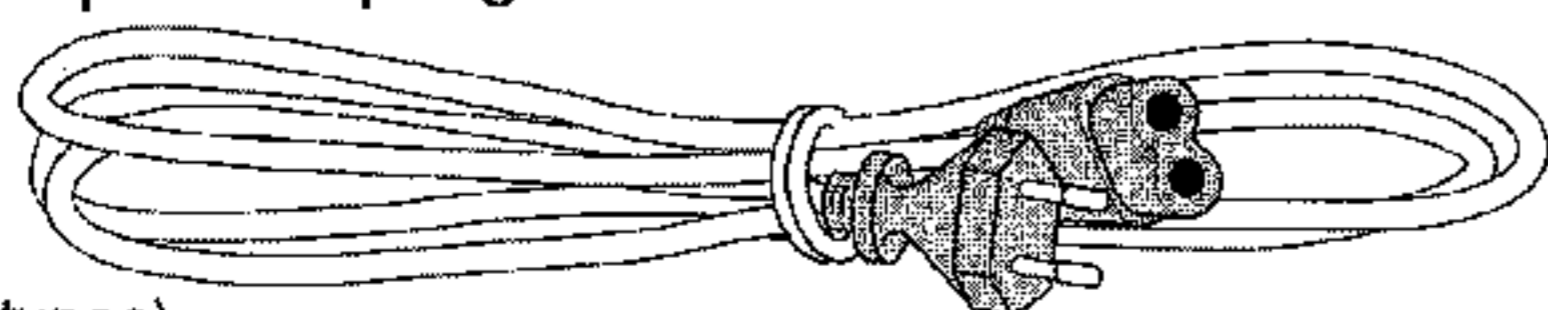
<Flat blade 2-pin AC plug model>

ADG7003
 (RD/RA and RD/RC types)
 ADG7017
 (RAM type)

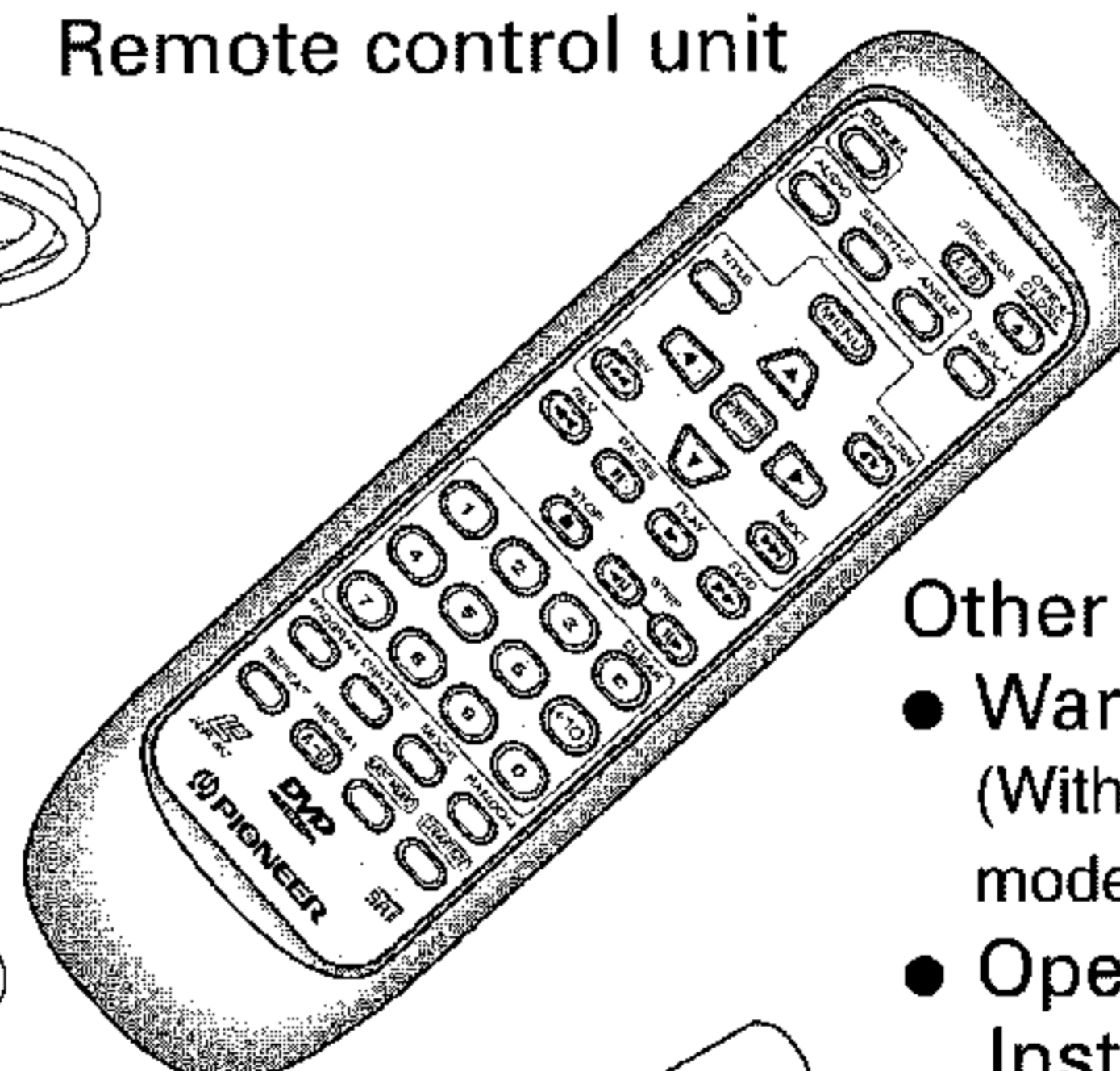


<Round blade 2-pin AC plug model>

ADG1154
 (RL type)
 ADG1127
 (WY and WY/RD types)



Remote control unit



VXX2534(CU-DV013)
 (WY and WY/RD types)

VXX2549(CU-DV018)
 (RD/RA,RD/RC, RAM and RL types)

Other included items

- Warranty card (With region number "1" models only.)
- Operating Instructions

Batteries....2

