



# VIDEO-CD/LD/CD PLAYER

## DV - 7620KV/DV - 7622KV

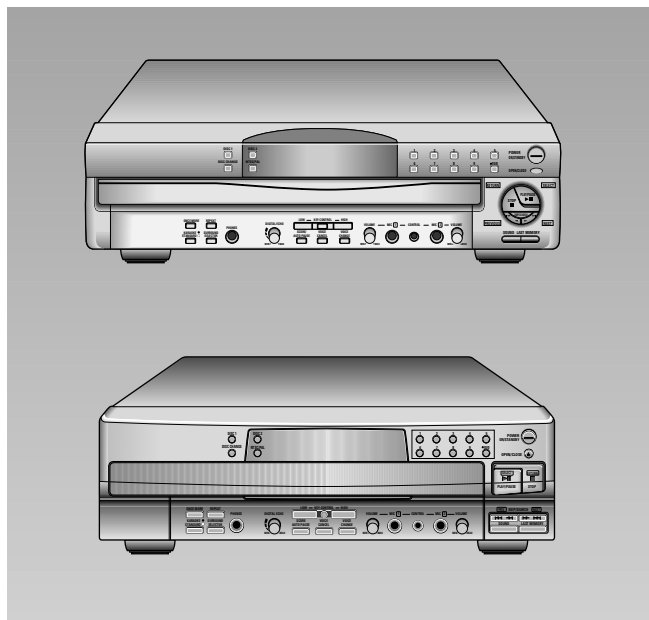
# **SERVICE** Manual

This service manual is based on Model DV530K/DV430(14739-0090-00).

This service manual contains change notes differing from the Model DV530K/DV430. For the change notes, refer to the "Contents".

The only difference between DV7620KV and DV7622KV is the front design.

### VIDEO-CD/LD/CD PLAYER



### CONTENTS

1. Precaution
2. Specification
3. Disassembly and Reassembly
4. Exploded Views and Parts List
5. Troubleshooting
6. Electric parts List
7. Block Diagrams
8. PCB Layout
9. Wiring Diagram
10. Schematic Diagrams

fR Design and specifications are subject to change upon improvement without prior notice.

# 1. Precautions

Follow these safety, servicing and ESD precautions to prevent damage and protect against potential hazards such as electrical shock and X-rays.

## 1-1 Safety Precautions

1. Be sure that all of the built-in protective devices are replaced.
2. When reinstalling the chassis and its assemblies, be sure to restore all protective devices, including control knobs and compartment covers.
3. Make sure that there are no cabinet openings through which people--particularly children--might insert fingers and contact dangerous voltages. Such openings include the spacing between the picture tube and the cabinet mask, excessively wide cabinet ventilation slots, and improperly fitted back covers.
4. Design Alteration Warning:  
Never alter or add to the mechanical or electrical design of the unit. Example: Do not add auxiliary audio or video connectors. Such alterations might create a safety hazard. Also, any design changes or additions will void the manufacturer's warranty.

5. Leakage Current Hot Check (Figure 1-1):  
Warning: Do not use an isolation transformer during this test. Use a leakage-current tester or a metering system that complies with American National Standards Institute (ANSI C101.1, *Leakage Current for Appliances*), and Underwriters Laboratories (*UL Publication UL1410, 59.7*).

With the unit completely reassembled, plug the AC line cord directly into a 120V AC outlet. With the unit's AC switch first in the ON position and then OFF, measure the current between a known earth ground (metal water pipe, etc.) and all exposed metal parts. Examples: Handle brackets, metal cabinets, screwheads and control shafts. The current measured should not exceed 0.5 milliamp. Reverse the power-plug prongs in the AC outlet and repeat.

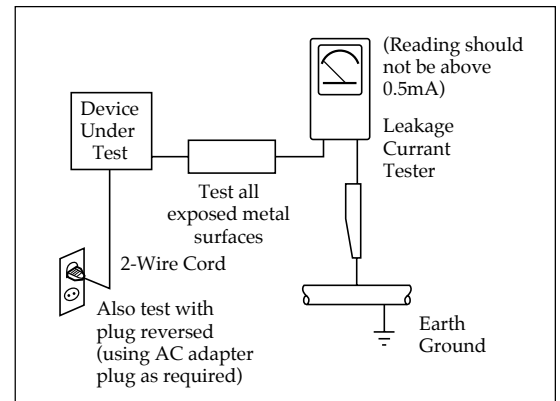


Fig. 1-1 AC Leakage Test

6. Insulation Resistance Cold Check:  
(1) With the unit's AC plug disconnected from the AC source, connect an electrical jumper across the two AC prongs. (2) Set the power switch to ON. (3) Measure the resistance between the shorted AC plug and any exposed metallic parts. Example: Screwheads, antenna, control shafts or handle brackets.

If any of the exposed metallic parts has a return path to the chassis, the measured resistance should be between 1 and 5.2 megohms. If there is no return path, the measured resistance should be "infinite." If the resistance is outside these limits, a shock hazard might exist. See Figure 1-2

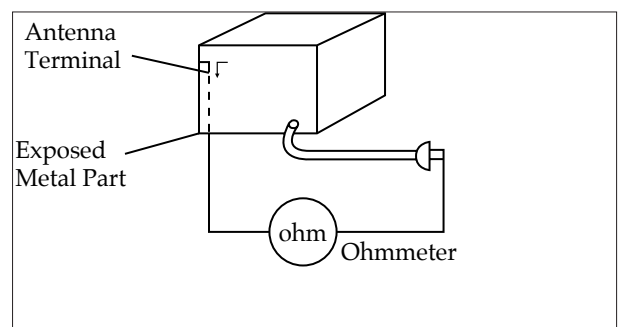




Fig. 1-2 Insulation Resistance Test

## 1-1 Safety Precautions (Continued)

---

- Components, parts and wiring that appear to have overheated or that are otherwise damaged should be replaced with parts that meet the original specifications. Always determine the cause of damage or overheating, and correct any potential hazards.
- Observe the original lead dress, especially near the following areas: Antenna wiring, sharp edges, and especially the AC and high voltage power supplies. Always inspect for pinched, out-of-place, or frayed wiring. Do not change the spacing between components and the printed circuit board. Check the AC power cord for damage. Make sure that no wires or components touch thermally hot parts.
- Product Safety Notice:**  
Some electrical and mechanical parts have special safety-related characteristics which might not be obvious from visual inspection. These safety features and the protection they give might be lost if the replacement component differs from the original--even if the replacement is rated for higher voltage, wattage, etc.
- Components that are critical for safety are indicated in the circuit diagram by shading,  or . Use replacement components that have the same ratings, especially for flame resistance and dielectric strength specifications. A replacement part that does not have the same safety characteristics as the original might create shock, fire or other hazards.

## 1-2 Servicing Precautions

---

**Warning1:** First read the "Safety Precautions" section of this manual. If some unforeseen circumstance creates a conflict between the servicing and safety precautions, always follow the safety precautions.

- Servicing precautions are printed on the cabinet. Follow them.
- Always unplug the unit's AC power cord from the AC power source before attempting to: (a) Remove or reinstall any component or assembly, (b) Disconnect an electrical plug or connector, (c) Connect a test component in parallel with an electrolytic capacitor.
- Some components are raised above the printed circuit board for safety. An insulation tube or tape is sometimes used. The internal wiring may be clamped to prevent contact with thermally hot components. Reinstall all such elements to their original position.
- After servicing, always check that the screws, components and wiring have been correctly reinstalled. Make sure that the portion around the serviced part has not been damaged.
- Check the insulation between the blades of the AC plug and accessible conductive parts (examples: metal panels, input terminals and earphone jacks).
- Insulation Checking Procedure:** Disconnect the power cord from the AC source and turn the power switch ON. Connect an insulation resistance meter (500V) to the blades of the AC plug.  
  
The insulation resistance between each blade of the AC plug and accessible conductive parts (see above) should be greater than 1 megohm.
- Never defeat any of the B+ voltage interlocks. Do not apply AC power to the unit (or any of its assemblies) unless all solid-state heat sinks are correctly installed.
- Always connect a test instrument's ground lead to the instrument chassis ground *before* connecting the positive lead; always remove the instrument's ground lead last.

### 1-3 Precautions for Electrostatically Sensitive Devices (ESDs)

1. Some semiconductor ("solid state") devices are easily damaged by static electricity. Such components are called Electrostatically Sensitive Devices (ESDs). Examples include integrated circuits and some field-effect transistors. The following techniques will reduce the occurrence of component damage caused by static electricity.
2. Immediately before handling any semiconductor components or assemblies, drain the electrostatic charge from your body by touching a known earth ground. Alternatively, wear a discharging wrist-strap device. (Be sure to remove it prior to applying power--this is an electric shock precaution.)
3. After removing an ESD-equipped assembly, place it on a conductive surface such as aluminum foil to prevent accumulation of electrostatic charge.
4. Do not use freon-propelled chemicals. These can generate electrical charges that damage ESDs.
5. Use only a grounded-tip soldering iron when soldering or unsoldering ESDs.
6. Use only an anti-static solder removal device. Many solder removal devices are not rated as "anti-static" (these can accumulate sufficient electrical charge to damage ESDs).
7. Do not remove a replacement ESD from its protective package until you are ready to install it. Most replacement ESDs are packaged with leads that are electrically shorted together by conductive foam, aluminum foil or other conductive materials.
8. Immediately before removing the protective material from the leads of a replacement ESD, touch the protective material to the chassis or circuit assembly into which the device will be installed.
9. Minimize body motions when handling unpackaged replacement ESDs. Motions such as brushing clothes together, or lifting a foot from a carpeted floor can generate enough static electricity to damage an ESD.

### 1-4 Special Precautions and Warning Labels for Laser Products

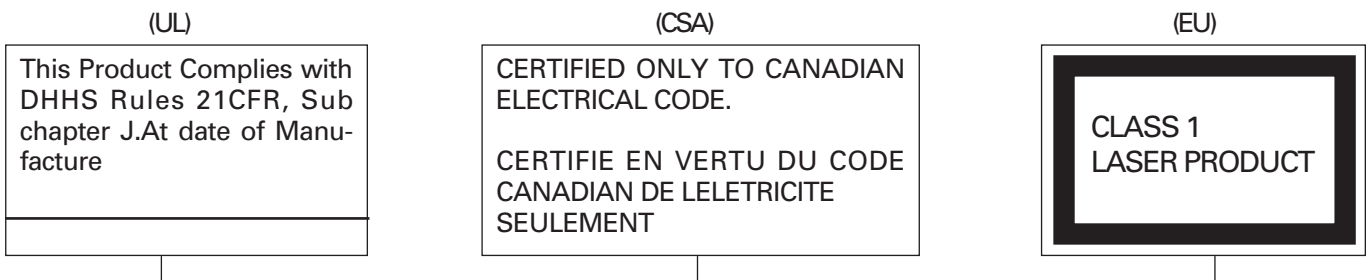


Fig. 1-3 Warning Labels (Location: Enclosure Block)

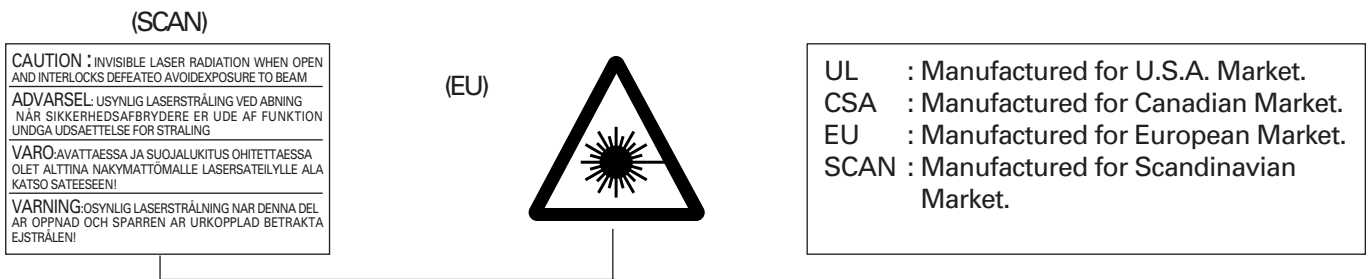


Fig. 1-4 Warning Labels (Location: Disc Clamper, Inner Side of Unit Door or Nearby Unit Chassis)



## 1-4 Special Precautions and Warning Labels for Laser Products (Continued)

### 1-4-1 Warnings

1. When servicing, do not approach the LASER exit with the eye too closely. In case it is necessary to confirm LASER beam emission, be sure to observe from a distance of more than 30 cm from the surface of the objective lens on the optical pick-up block.
2. Do not attempt to handle the objective lens when the DISC is not on the tray.
3. When servicing, do not approach the LASER exit with the eye too closely. In case it is necessary to confirm LASER beam emission, be sure to observe from a distance of more than 30 cm from the surface of the objective lens on the optical pick-up block.
4. Do not attempt to handle the objective lens when the DISC is not on the tray.

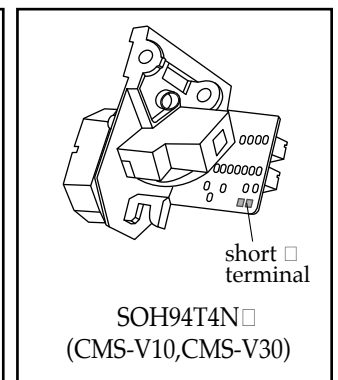
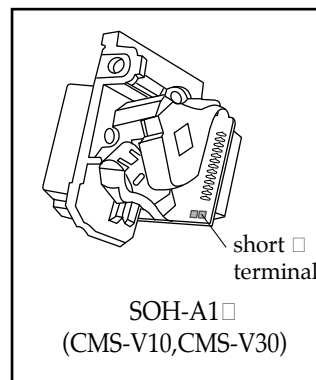
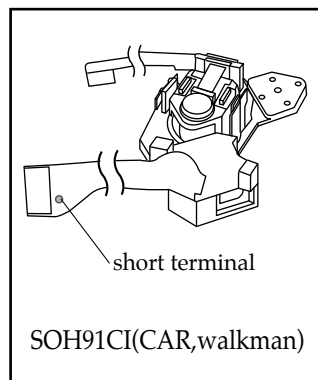
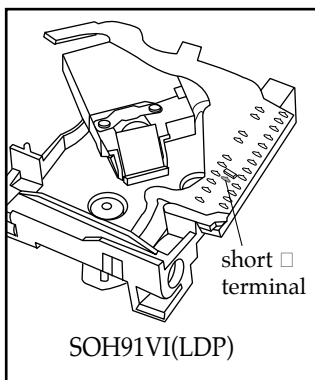
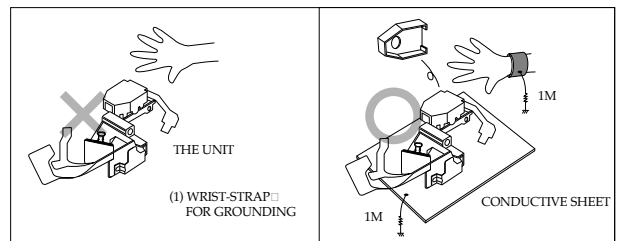
### 1-4-2 Laser Diode Specifications

Material: GaAs+ GaAlAs  
 Wavelength: 760-800 nm  
 Emission Duration: Continuous

Laser Output: 0.2 mw (measured at a 1.6 mm distance from the objective lens surface on the optical pick-up block.)



### 1-4-3 Handling the Optical Pick-up

1. Static electricity from clothing or the body may cause electrostatic breakdown of the laser diode in the Optical Pickup. Follow this procedure:
2. Place a conductive sheet on the work bench (i.e., the black sheet used for wrapping repair parts.) Note: The surface of the work bench should be covered by a copper ground plane, which is grounded.
3. The repair technician must wear a wrist strap which is grounded to the copper sheet.
4. To remove the Optical Pickup block: Place the set on the conductive sheet, and momentarily touch the conductive sheet with both hands. (While working, do not allow any electrostatic sources--such as clothes--to touch the unit.)
5. Ground the "Short Terminal" (located on the PCB, inside the Pickup Assembly) before replacing the Pickup. This terminal should be shorted whenever the Pickup Assembly is lifted or moved.
6. After replacing the Pickup, reopen the Short Terminal. See diagrams below:



## 1-1 Safety Precautions (Continued)

---

7. Components, parts and wiring that appear to have overheated or that are otherwise damaged should be replaced with parts that meet the original specifications. Always determine the cause of damage or overheating, and correct any potential hazards.
8. Observe the original lead dress, especially near the following areas: Antenna wiring, sharp edges, and especially the AC and high voltage power supplies. Always inspect for pinched, out-of-place, or frayed wiring. Do not change the spacing between components and the printed circuit board. Check the AC power cord for damage. Make sure that no wires or components touch thermally hot parts.
9. Product Safety Notice:  
Some electrical and mechanical parts have special safety-related characteristics which might not be obvious from visual inspection. These safety features and the protection they give might be lost if the replacement component differs from the original--even if the replacement is rated for higher voltage, wattage, etc.
10. Components that are critical for safety are indicated in the circuit diagram by shading,  or . Use replacement components that have the same ratings, especially for flame resistance and dielectric strength specifications. A replacement part that does not have the same safety characteristics as the original might create shock, fire or other hazards.

## 1-2 Servicing Precautions

---

**Warning1:** First read the "Safety Precautions" section of this manual. If some unforeseen circumstance creates a conflict between the servicing and safety precautions, always follow the safety precautions.

1. Servicing precautions are printed on the cabinet. Follow them.
2. Always unplug the unit's AC power cord from the AC power source before attempting to: (a) Remove or reinstall any component or assembly, (b) Disconnect an electrical plug or connector, (c) Connect a test component in parallel with an electrolytic capacitor.
3. Some components are raised above the printed circuit board for safety. An insulation tube or tape is sometimes used. The internal wiring may be clamped to prevent contact with thermally hot components. Reinstall all such elements to their original position.
4. After servicing, always check that the screws, components and wiring have been correctly reinstalled. Make sure that the portion around the serviced part has not been damaged.
5. Check the insulation between the blades of the AC plug and accessible conductive parts (examples: metal panels, input terminals and earphone jacks).
6. Insulation Checking Procedure: Disconnect the power cord from the AC source and turn the power switch ON. Connect an insulation resistance meter (500V) to the blades of the AC plug.  
  
The insulation resistance between each blade of the AC plug and accessible conductive parts (see above) should be greater than 1 megohm.
7. Never defeat any of the B+ voltage interlocks. Do not apply AC power to the unit (or any of its assemblies) unless all solid-state heat sinks are correctly installed.
8. Always connect a test instrument's ground lead to the instrument chassis ground *before* connecting the positive lead; always remove the instrument's ground lead last.

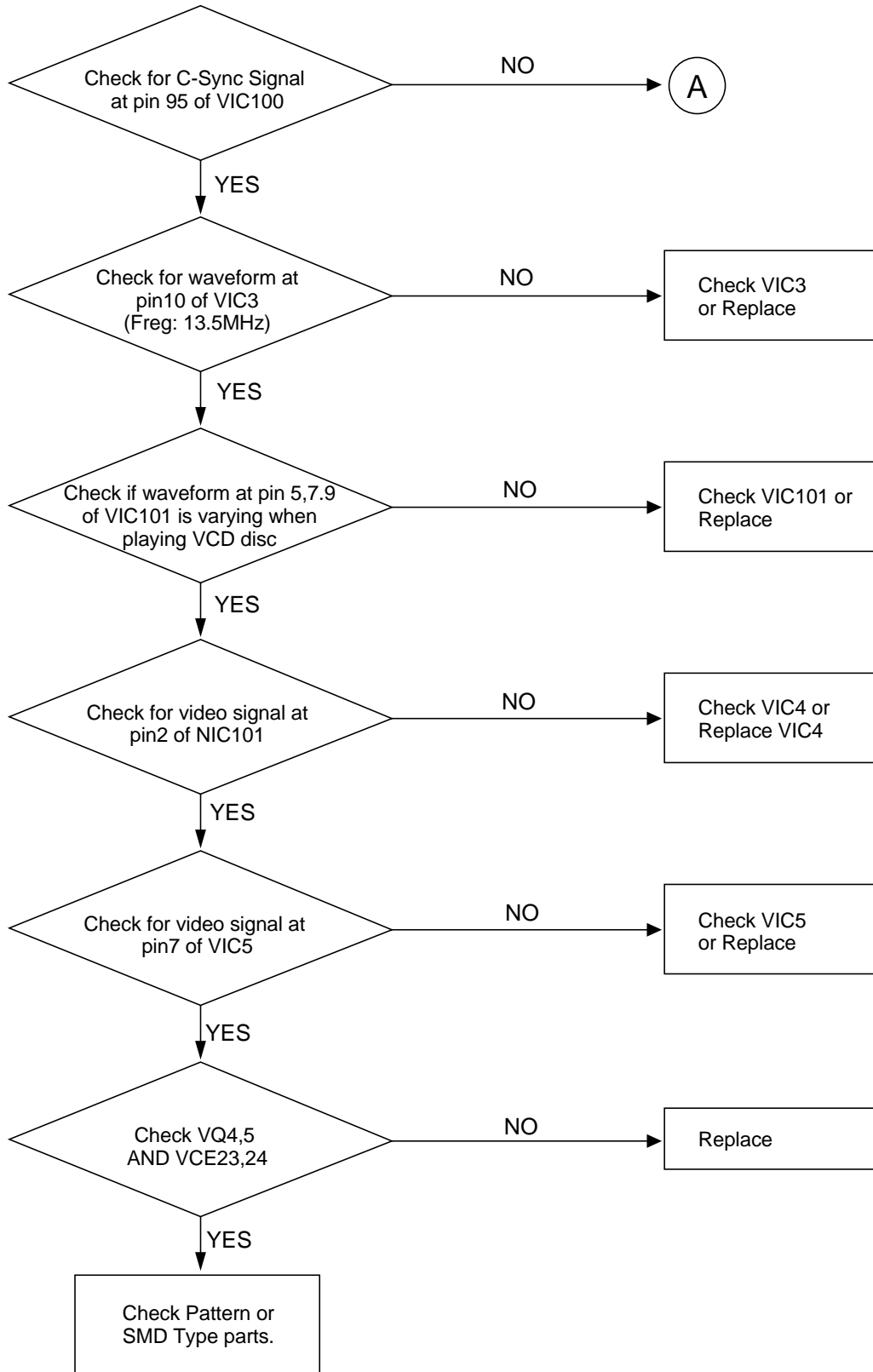
## 5. Troubleshooting

When troubleshooting, make sure the disc is not dirty or warped.

Check all connection between VCD PCB and main PCB

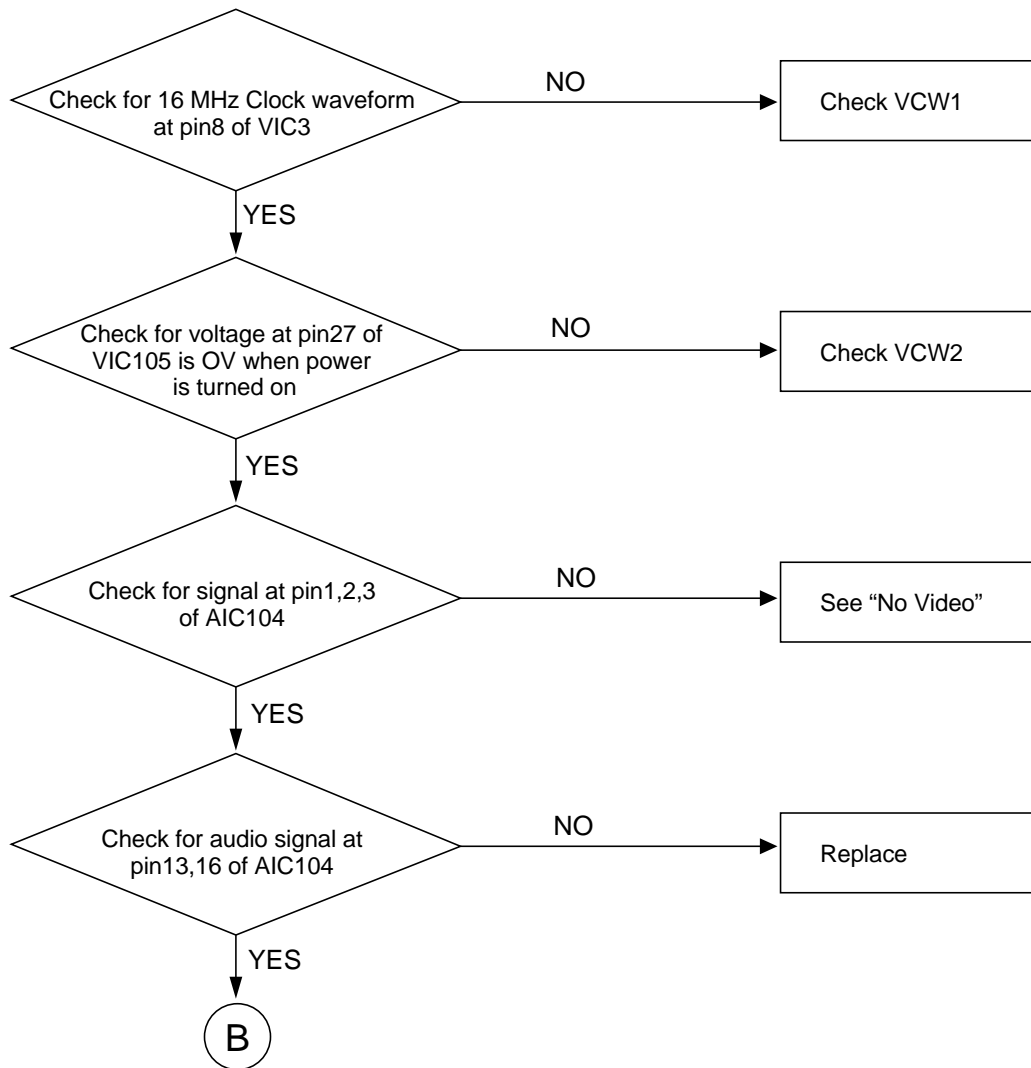
Check all supply voltage (+8V,-8V,+5V,-5V)

### 5-1 No Video.(Video CD)



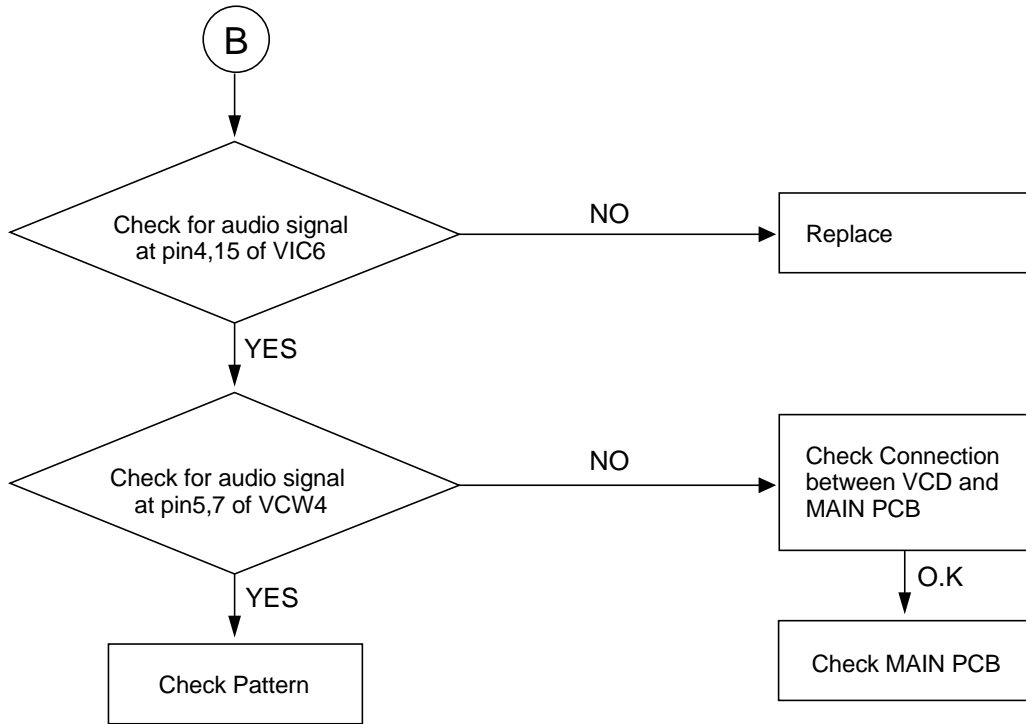
## 5-2 No digital sound(VCD1.1,VCD2.0,CD,LD DIGITAL)

---



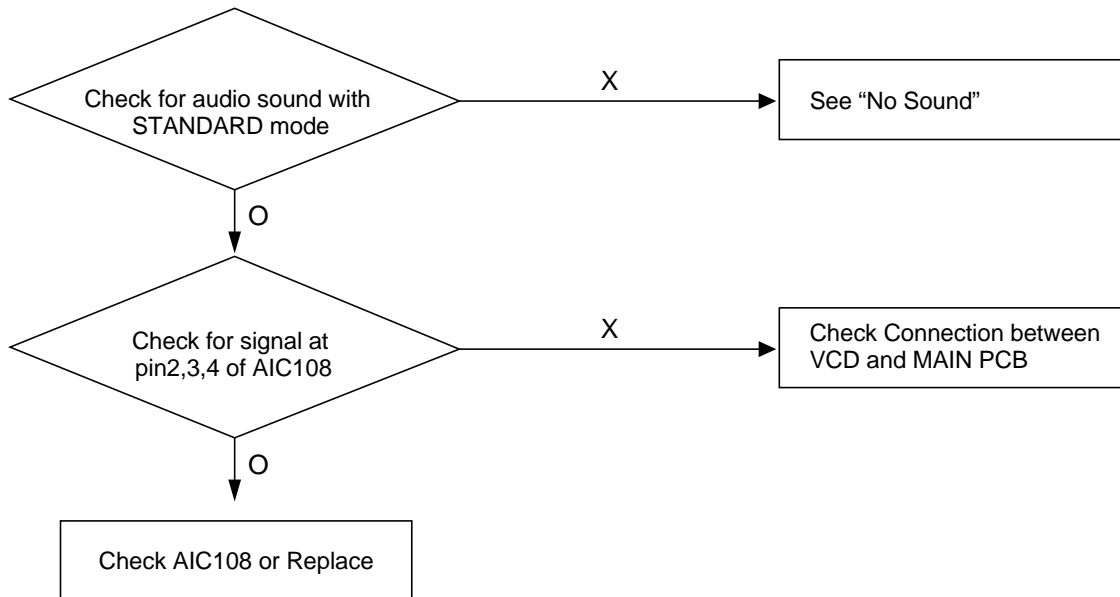
### 5-3 No analog audio(LD Analog)

---



## 5-4 Voice cancel and change does not work

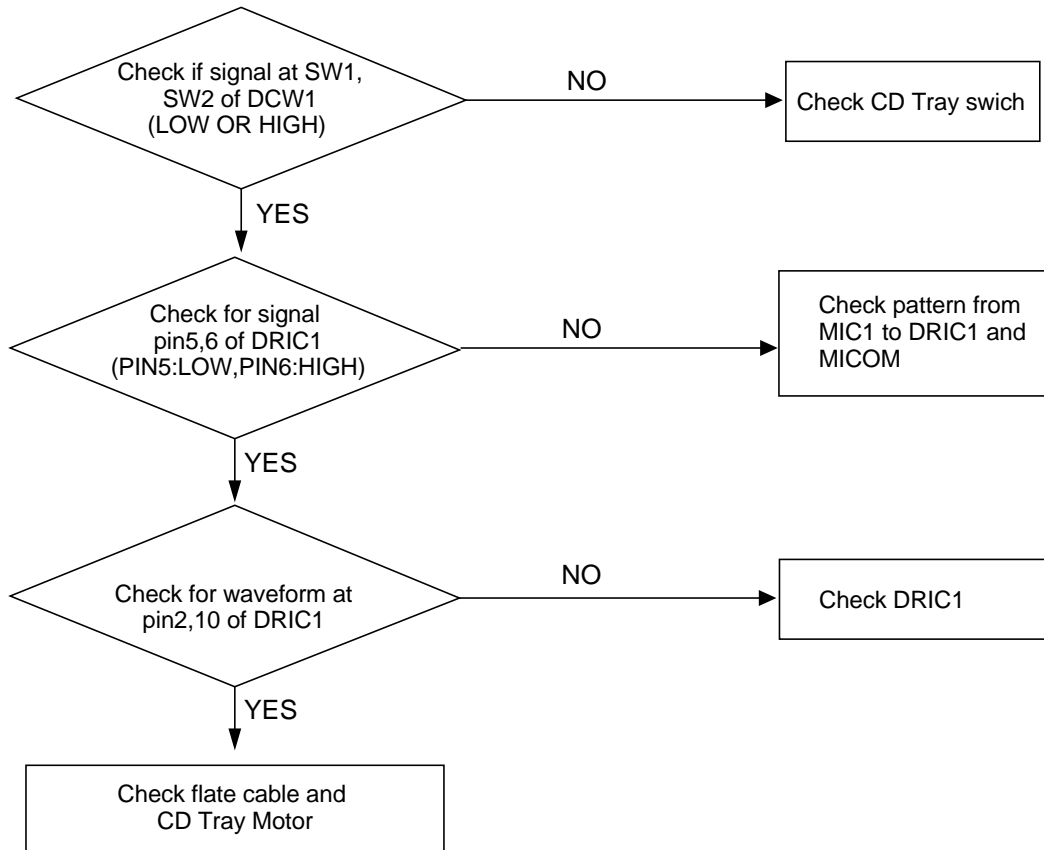
---



## 5-5 Disc change Does Not Work

---

ⓘ CAUTION : You must connect a wire from Tray to unit. If not , unit will be troubled.



## 4. Exploded View and Parts List

### 4-1 Cabinet front parts

#### 4-1-1 Exploded ploded view Parts list : DV7620KV

NO	CODE NO.	DESCRIPTION	SPECIFICATION	Q' TY	REMARK
1	AH64-30364A	CABINET-FRONT	ABS 94HB BLACK	1	CHN
2	AH64-50312A	DOOR-GUIDE	ABS 94HB BLACK	1	CHN
3	AH64-40317A	DECORATION-FRONT	ABS 94HB BLACK	1	
4	AH64-40370A	WINDOW-FLT	ACRYL VIOLET	1	CHN
5	AH67-20011A	REFELETOR	ACRYL WHITE	1	
6	AH64-11055A	KNOB-POWER	ABS 94HB BLACK	1	
7	AH64-11056A	KNOB-PLAY	ABS 94HB BLACK	1	
8	AH64-11057A	KNOB-STOP	ABS 94HB BLACK	1	
9	AH67-10119A	LENS-POWER	ACRYL MILKY	1	
10	AH64-11059A	KNOB-10	PC BLACK	1	
11	AH64-11060A	KNOB-CD	PC BLACK	1	
12	AH64-11063A	KNOB-DISC (A)	ACRYL MILKY	1	
13	AH64-11064A	KNOB-DISC (B)	ACRYL MILKY	1	
14	AH61-10642A	BRKT-HINGE	SECC 1.0T	2	
15	AH61-10643A	BRKT-DOOR	SECC 1.0T BLACK	1	
16	AH61-10644A	BRKT-DAMPER	SECC 1.0T BLACK	1	
17	AH61-20377A	HOLDER-KEYCON	PC BLACK	1	
18	AH61-20378A	HOLDER-MPX	PC BLACK	1	
19	AH64-11058A	KNOB-MPX	PC BLACK	1	
20	AH64-11061A	KNOB-KEYCON	PC WHITE	1	
21	AH64-11065A	KNOB-KARAOKE	ACRYL MILKY	1	
22	AH69-20018A	CUSHION-STOPPER	RUBBER BLACK	2	
23	AH61-80005A	DAMPER-GEAR	DP802 SKY BLUE	1	
24	AH63-30210A	COVER-FRONT	ABS 94HB BLACK	1	CHN
25	AH63-70027B	SHEET-REMOCON	PVC 0.5T VIOLET	1	
26	AH61-60325A	SPRING-DOOR	STS P10.7	1	
27	AH64-70003F	BADGE-BRAND	AL GOLD 35mm	1	

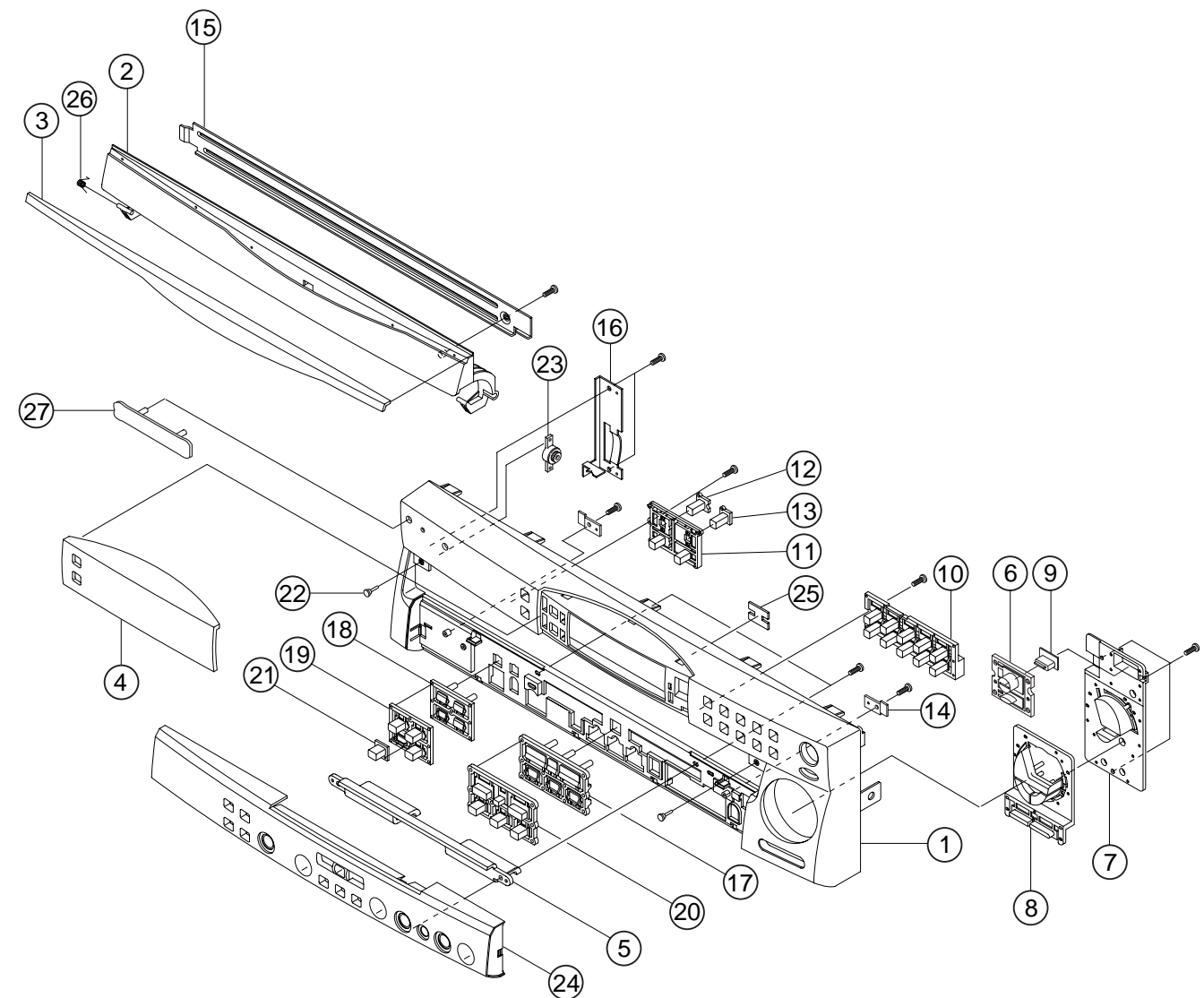


Fig 4-1. Cabinet front Exploded View(DV7620KV)



4-1-2 Exploded ploded view Parts list : DV7622KV

NO	CODE NO.	DESCRIPTION	SPECIFICATION	Q' TY	REMARK
1	AH64-30365B	CABINET-FRONT	ABS 94HB BLACK	1	CHN
2	AH64-40372B	WINDOW-FRONT	ACRYL VIOLET	1	
3	AH63-30205B	COVER-FRONT	ABS 94HB BLACK	1	CHN
4	AH64-11070B	KNOB-KEYCON	ABS WHITE	1	
5	AH61-20230A	HOLDER-CONTROL	ABS 94HB BLACK	1	
6	AH64-11069A	KNOB-KARAOKE	PC BLACK	1	
7	AH61-20379A	HOLDER-KARAOKE	PC BLACK	1	
8	AH67-10124A	LENS-KARAOKE	ACRYL MILKY	1	
9	AH64-40373A	DECO-WINDOW	ACRYL TRP	1	
10	AH64-50313B	DOOR-GUIDE	ABS 94HB BLACK	1	CHN
11	AH64-11066B	KNOB-PLAY	PC BLACK	1	
12	AH61-20380B	HOLDER-PLAY	PC BLACK	1	
13	AH64-11067A	KNOB-10KEY	PC BLACK	1	
14	AH64-11068A	KNOB-DIRECT	PC BLACK	1	
15	AH67-10121A	LENS-DISC 1	ACRYL MILKY	1	
16	AH67-10122A	LENS-DISC 2	ACRYL MILKY	1	
17	AH67-10123A	LENS-POWER	ACRYL MILKY	1	
18	AH61-10632A	BRKT-DOOR	SECC T1.0	1	
19	AH61-10245A	BRKT-DOOR	SECC T1.0	1	
20	AH61-10317A	BRKT-DAMPER	SECC T1.0	1	
21	AH61-60172A	SPRING-DOOR	SUS 304 $\phi$ 1.4	1	
22	AH61-80005A	DAMPER-GEAR	DP802 37g BLUE	1	
23	AH63-70027B	SHEET-REMOTE	PE T1.0 VIOLET	1	
24	AH69-20018A	CUSHION-STOPPER	RUBBER BLACK	2	
25	6003-000276	SCREW (YELLOW)	TAP TITE BH 3X10	9	
26	6003-000275	SCREW (BLACK)	TAP TITE B 3X10	1	
27	AH64-70003F	BADGE-BRAND	AL GOLD 35mm	1	

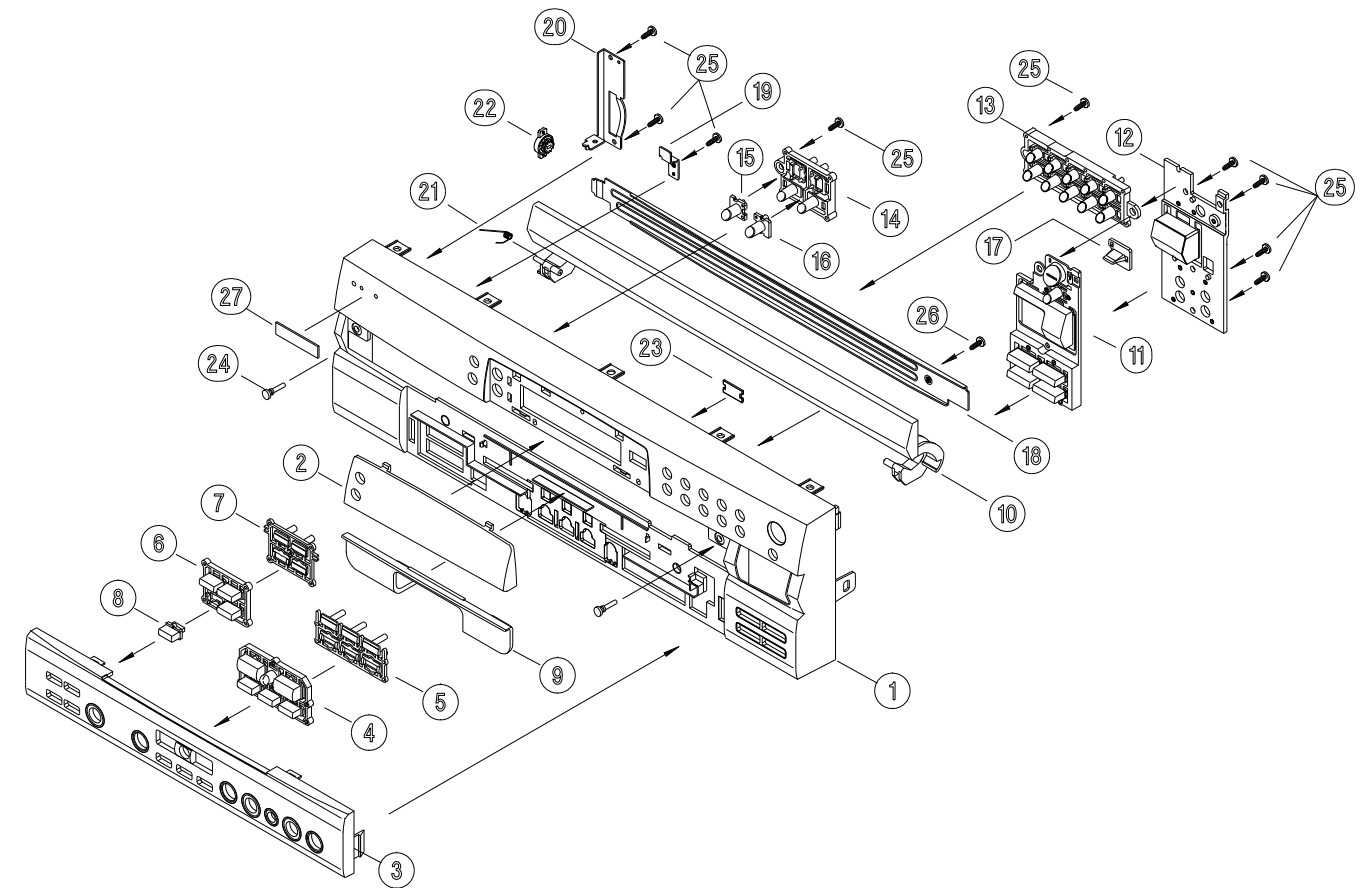


Fig 4-2. Cabinet front Exploded View(DV7622KV)

**4-2 Main Mechanical exploded view and parts list**

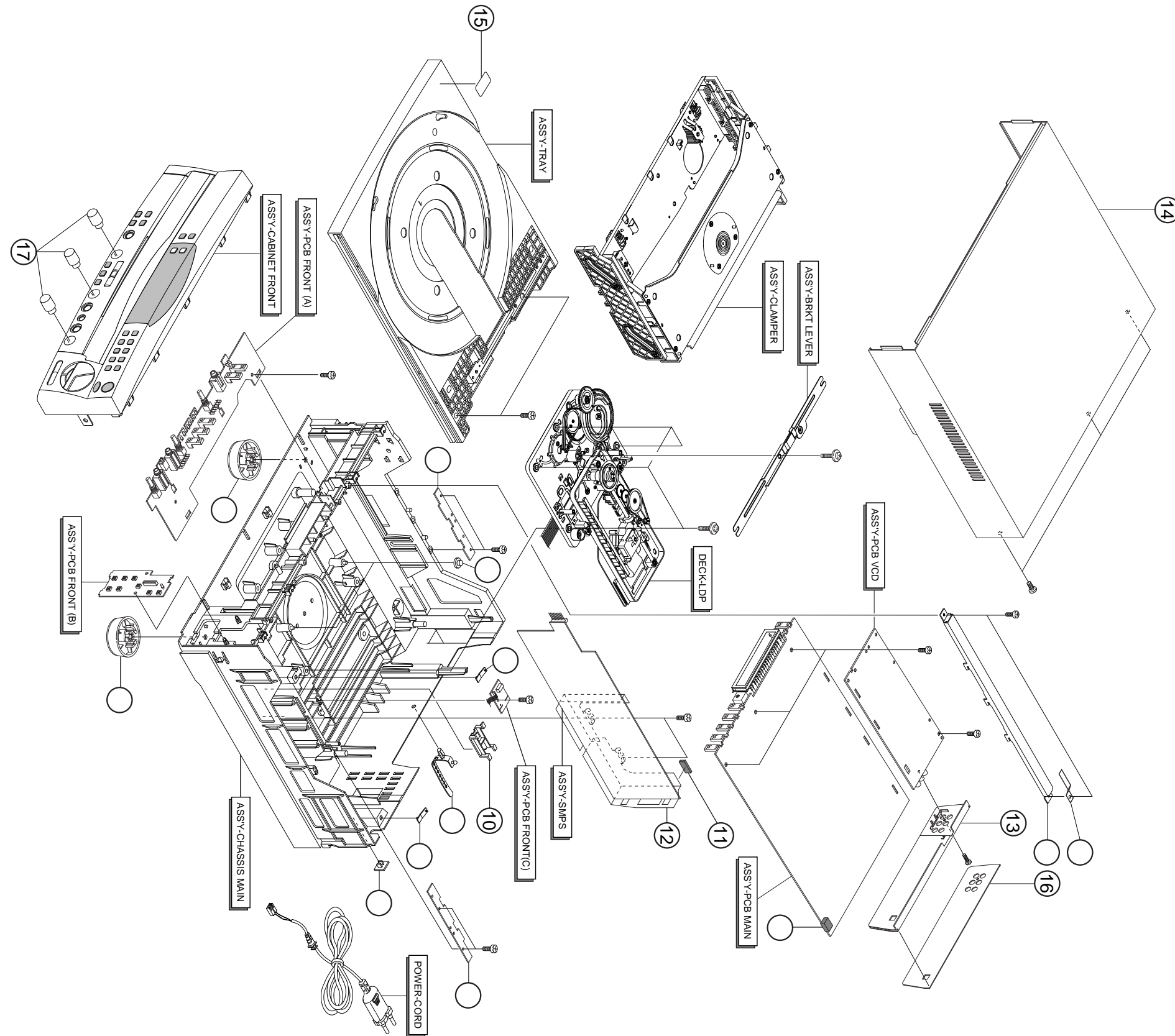


Fig 4-3. Main Mechanical Exploded View

NO	CODE NO.	DESCRIPTION	SPECIFICATION	Q' TY	REMARK
17	AH64-11062A	EXPLODED VIEW PARTS LIST ( DV-7620KV / DV-7622KV )	ABS BLK / DV-7620KV	3	
1	AH90-10600B	ASS' Y-PCB MAIN	DV-7620KV	1	CHN
	AH90-10601B	ASS' Y-PCB FRONT (A)	DV-7620KV	1	CHN
		ASS' Y-PCB FRONT (B), (C)	DV-7620KV		
	AH90-10716E	ASS' Y-PCB FRONT (A)	DV-7622KV	1	CHN
		ASS' Y-PCB FRONT (B), (C)	DV-7622KV		
	AH90-10602B	ASS' Y-PCB VCD	DV-7620KV	1	CHN
	AH90-10603B	ASS' Y-PCB SMPS	DV-7620KV	1	CHN
	AH39-10002Y	POWER-CORD	CP2 KLCE-2F 1.5M	1	
	AJ59-20150H	DECK-LDP	CVM55R2 EXP	1	
	AH95-50200A	ASS' Y-CLAMPER (2CD)	DV-7620KV	1	
	AH95-50201A	ASS' Y-TRAY (2CD)	DV-7620KV	1	
	AH95-50202A	ASS' Y-BRKT LEVER	DV-7620KV	1	
	AH95-10308A	ASS' Y-CABINET FRONT	DV-7620KV	1	CHN
	AH95-30050A	ASS' Y-CHASSIS MAIN	ABS 94HB BLACK	1	EXP
1	AH64-80030A	FOOT-DECORATION	ABS 94HB BLACK	2	
2	AH63-30081A	COVER-VOLTAGE	ABS 94HB BLACK	1	
3	AH61-20279A	HOLDER-PWB	NYLON 12 WHITE	2	
4	AH65-20001A	CABLE-CLAMP	PE BLACK	1	
5	16154-507-910	RUBBER-CHASSIS	SILICON 60	2	
6	16804-521-510	CUSHION-DECK	EVA SPONGE T7	1	
7	AH61-10151A	BRKT-PCB	SECC T1.2	1	
8	AH61-10513A	BRKT-PCB	PBS TO.2 YELLOW	1	
9	AH61-10618A	BRKT-HOLDER	SECC T1.6	2	
10	AH63-30185A	COVER-WIRE	ABS 94HB BLACK	1	
11	AH63-70110A	SHEET-CUSHION	EVA SPONGE T4.5	1	
12	AH61-10620A	BRKT-SHIELD (A)	SPTE TO.5	1	
13	AH63-30056A	COVER-REAR	ABS 94HB BLACK	1	
14	AH64-30240G	CABINET-TOP	SECC+VINYL TO.75 BLK	1	
15	AH68-50272B	LABEL-DISC	TETRON PAPER TO.3	1	EXP
16	AH68-50017F	LABEL-JACK	PVC TO.5 BLACK	1	EXP
17	AH64-11062A	EXPLODED VIEW PARTS LIST ( DV-7620KV / DV-7622KV )	ABS BLK / DV-7620KV	3	

### 4-3 Chassis Main Parts

NO	CODE NO.	DESCRIPTION	SPECIFICATION	Q' TY	REMARK
1	AH61-10619A	CHASSIS-MAIN	ABS 94HB BLACK	1	EXP
2	AH61-20279A	HOLDER-PWB	NYLON 12 WHITE	2	
3	AH63-30081A	COVER-VOLTAGE	ABS 94HB BLACK	1	
4	AH64-80030A	FOOT-DECORATION	ABS 94HB BLACK	2	
5	AH65-20001A	CABLE-CLAMP	PE BLACK	1	
6	AH69-20034A	CUSHION-FOOT	PORON L32 T5 BLACK	4	
7	AH69-20048A	CUSHION-CENTER	PORON L32 T3 BLACK	1	
8	AH63-70116A	SHEET-BOTTOM	PVC TO.5 BLACK	1	

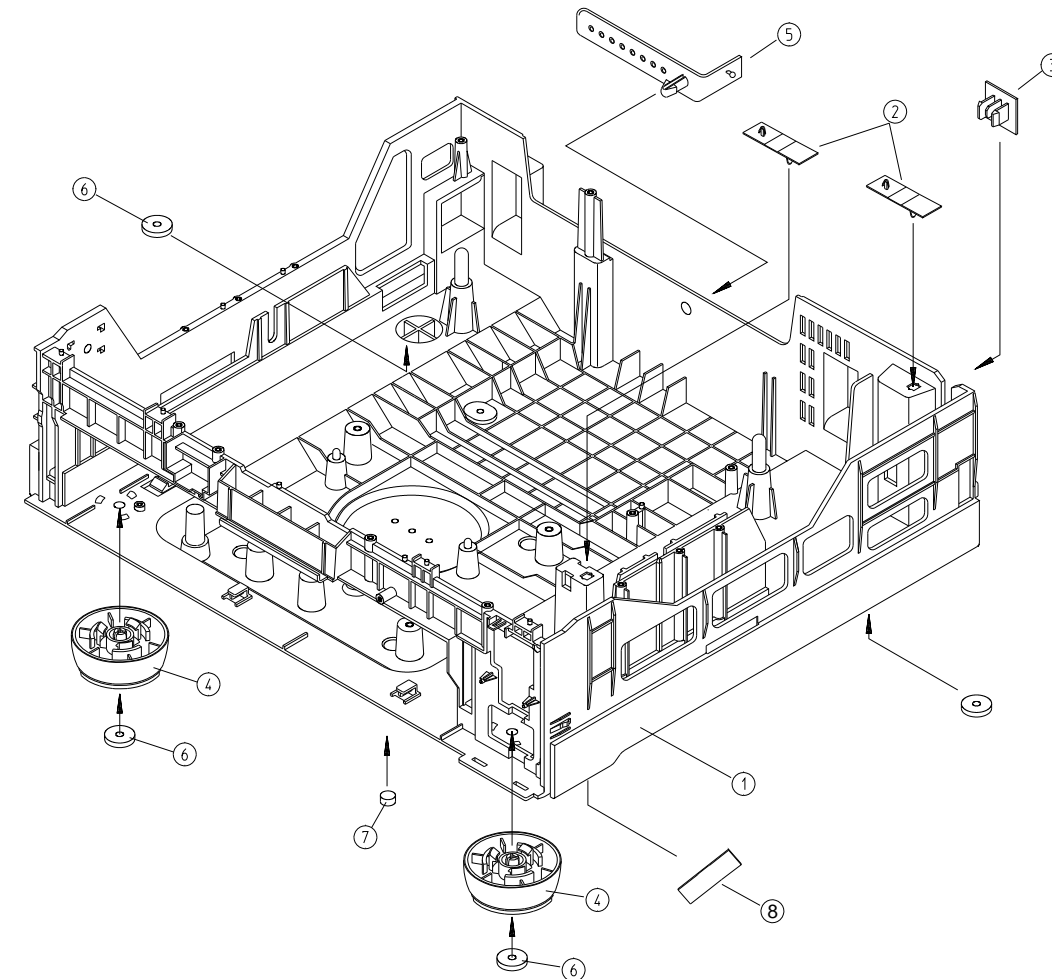
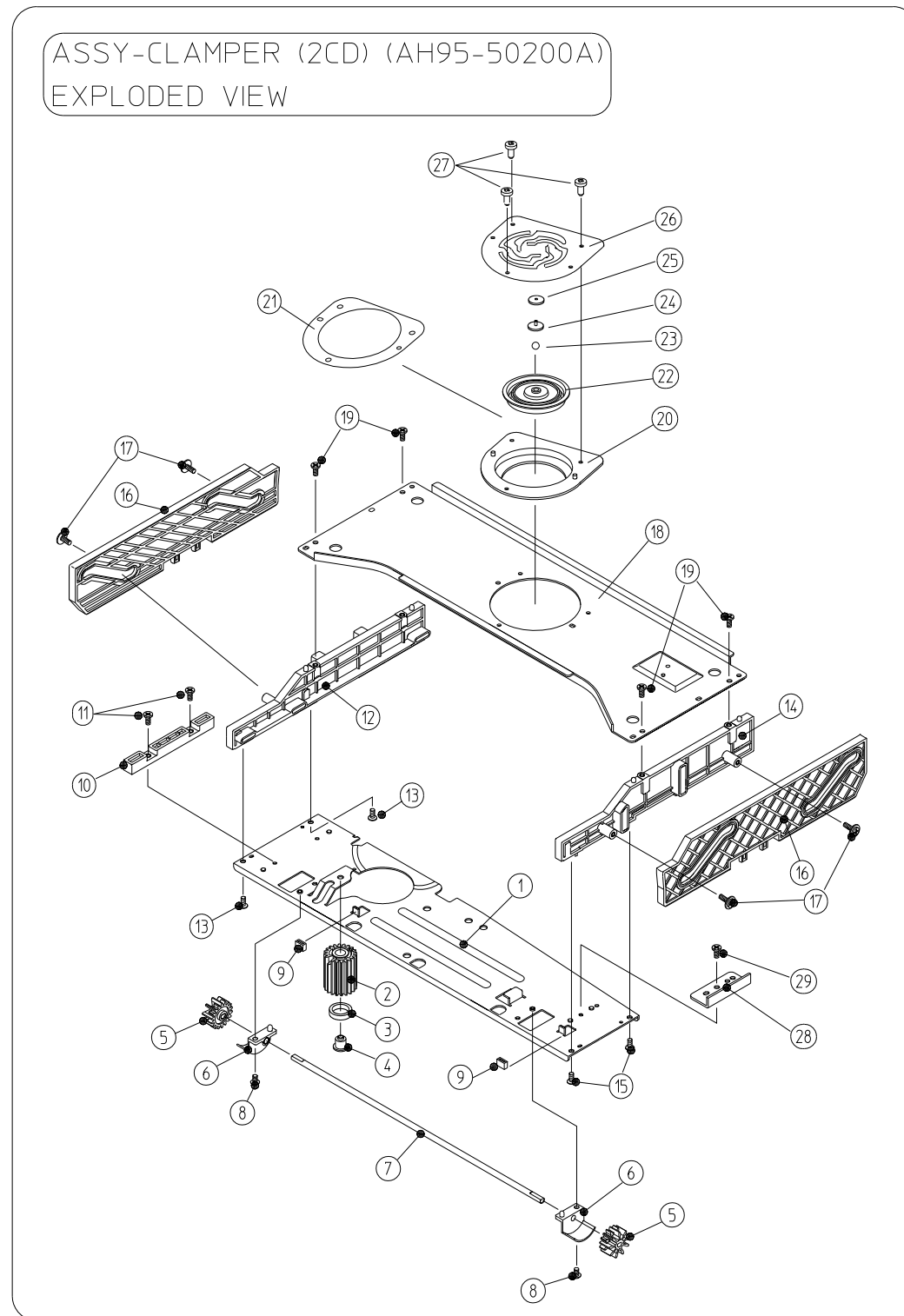


Fig 4-4 Chassis Main Exploded View

#### 4-4 Clamper(2CD) Exploded View & Parts List



#### ASSY-CLAMPER(2CD) PARTS LIST

NO	CODE - NO	DESCRIPTION	SPECIFICATION	QTY	REMARK
	AH95-50200A	ASSY-CLAMPER(2CD)	A S S Y	1	
1	AH61-10568A	BRACKET-BASE(2CD)	SECC 1.2t BLK	1	
2	AH66-20168A	GEAR-TRAY(2CD)	POM(N109-LD)	1	
3	AH66-21002A	WHEEL-GEAR	POM(N109-LD)	1	
4	AH61-50050A	SHAFT-TRAY	SUM24L ZN도금	1	
5	AH66-20022A	GEAR-SYNCHRO	POM(N109-LD)	2	
6	AH61-20183A	HOLDER-SHAFT	POM(N109-LD)	2	
7	AH61-50051A	SHAFT-SYNCHRO	SUM24L ZN도금	1	
8	A0102-0013	SCREW-TAP TITE BH	MS-3*6 BLK	2	
9	AH61-80020A	DAMPER-TRAY	CR BLACK	2	
10	AH61-50150A	GUIDE-TRAY	POM(N109-LD)	1	
11	6003-000276	SCREW-TAP TITE BH	2S-3*10 FE FZY	2	
12	AH61-50227A	GUIDE-SLIDE(L2CD)	DELIN 100P BLK	1	
13	6003-000276	SCREW-TAP TITE BH	2S-3*10 FE FZY	2	
14	AH61-50228A	GUIDE-SLIDE(R2CD)	DELIN 100P BLK	1	
15	6003-000276	SCREW-TAP TITE BH	2S-3*10 FE FZY	2	
16	AH61-50226A	GUIDE-CAM(2CD)	POM(TC-3010)BLK	2	
17	6003-000256	SCREW-TAP BH SPEC	2S-3*10 FE FZY	4	
18	AH61-10134A	BRACKET-CLAMPER	SECC 1.2 T	1	
19	6003-000276	SCREW-TAP TITE BH	2S-3*10 FE FZY	4	
20	AH61-20315A	HOLDER-CLAMPER	POM(M90-02)BLK	1	
21	AH63-70038A	SHEET-CLAMPER	PVC 1.0T WHITE	1	
22	AH65-30009A	CLAMPER	POM(TR-10D)	1	
23	AH70-10004A	BALL-SLIDE	KBC PI 4 SUS304	1	
24	AH61-40012B	STOPPER-BALL	POM(M90-02)	1	
25	16804-518-410	RUBBER-STOPPER	BUTYL 1.0T	1	
26	AH65-30011B	CLAMPER-BRASS	PBSS 0.6T(1/4)	1	
27	A0102-0013	SCREW-TAP TITE BH	MS-3*6 YEL	3	
28	AH61-10262A	BRACKET-GUIDE	SECC 1.6T	1	
29	A0102-0013	SCREW-TAP TITE BH	MS-3*6 YEL	1	

Fig 4-5 Clamper Exploded View

## 4-5 Deck Exploded View & Parts

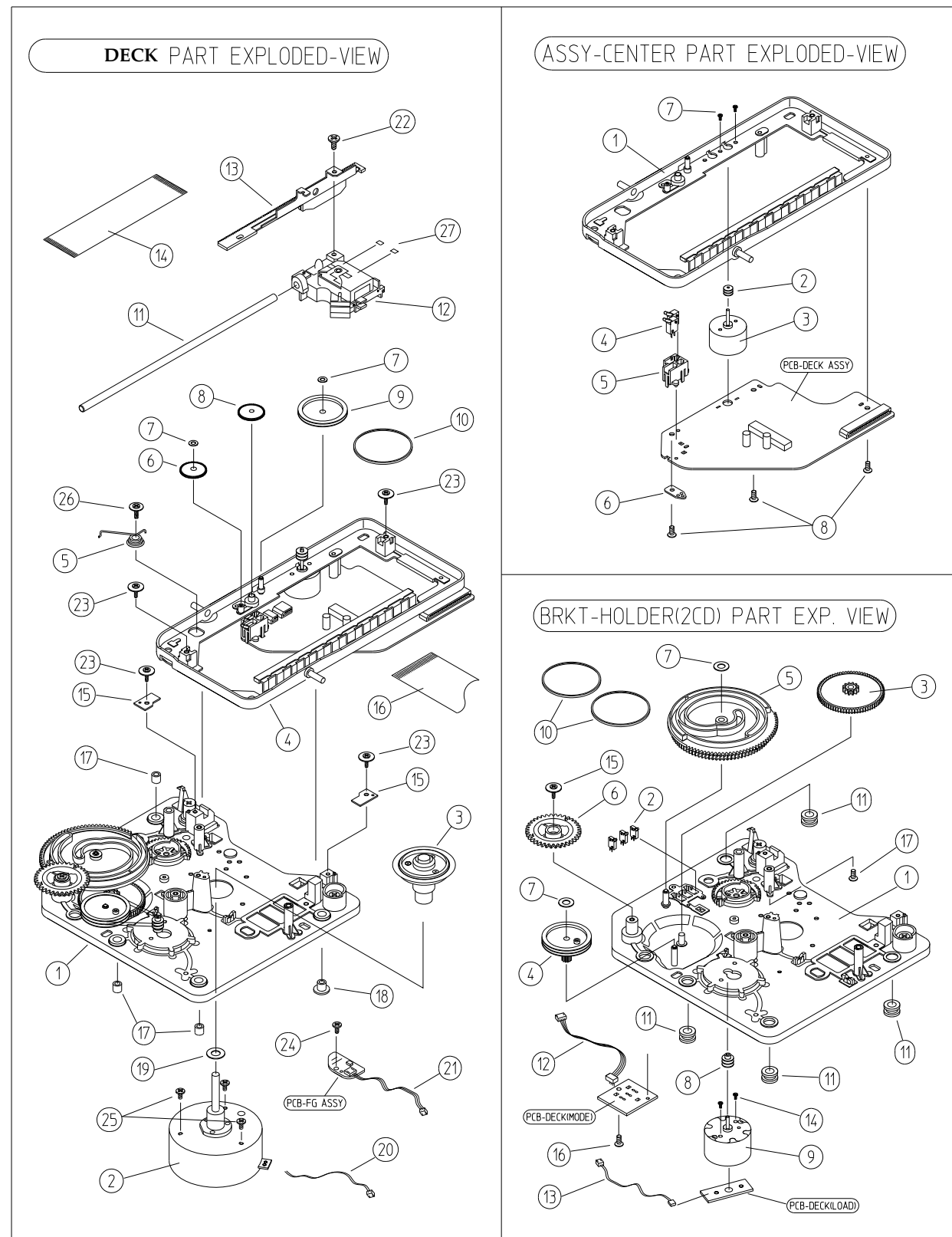


Fig 4-6 Deck Exploded View

### MECHA-ASSY PART

N O	CODE - NO	DESCRIPTION	SPECIFICATION	Q'TY	REMARK
1	AH61-10628A	BRKT-HOLDER(2CD)	A S S Y	1	
2	AH31-10002C	MOTOR-T/T	NQS 5B04 14V	1	
3	AH59-90014Y	TURN-TABLE	A S S Y	1	
4	AH95-50107A	ASSY-BRKT CENTER	A S S Y	1	
5	AH61-60083A	SPRING-TORSION	TS STS-304 pi8.5	1	
6	AH66-20024A	GEAR-P/(U/A)	POM (M90-02)	1	
7	6031-000157	O-RING	POLY 1.7*4.5*0.4	2	
8	AH66-20025A	GEAR-P/(U/B)	POM (M90-02)BLK	1	
9	AH66-20026A	GEAR-PULLEY(P/U)	POM(M90-02)	1	
10	AH66-60004A	BELT- P/U	CR68 FR1.4*30	1	
11	AH61-50175A	SHAFT- P/U	SUS-420 J2	1	
12	*SOH91V1	OPTICAL HEAD	SAMSUNG	1	
13	AH61-10150A	BRKT- P/(U/M)	EG1.0T+POM	1	
14	3809-000168	WIRE-PLATE	24 / 110	1	
15	AH61-10523A	BRKT-BOSS	STS 0.8T	2	
16	3809-000179	WIRE-PLATE	32 / 250	1	
17	AH61-50158A	GUIDE-RUBBER(A)	BSBM	3	
18	AH61-50159A	GUIDE-RUBBER(B)	BSBM	1	
19	AH63-30143A	COVER-SHAFT	POLY T0.5 BLK	1	
20	AH39-20001Y	CONNECTOR-WIRE	5264-02 1007#26 350	1	
21	AH39-20022A	CONNECTOR-WIRE	51004 / 35023-03	1	
22	AH60-10018A	SCREW-FH	M3*6 FE FZY	1	
23	6003-000256	SCREW-TAP BH SPEC	2S-3*10 FE FZY	4	
24	6003-000276	SCREW-TAP BH	2S-3*10 FE FZY	1	
25	AH60-10022A	SCREW-RH	M3*4 FE FZY	3	
26	AH60-10106A	SCREW-TAP TITE SPEC	PWH 3*12 FE FZY	1	
27	AH63-70003A	SHEET-SN	SN 0.6I BLK	2	

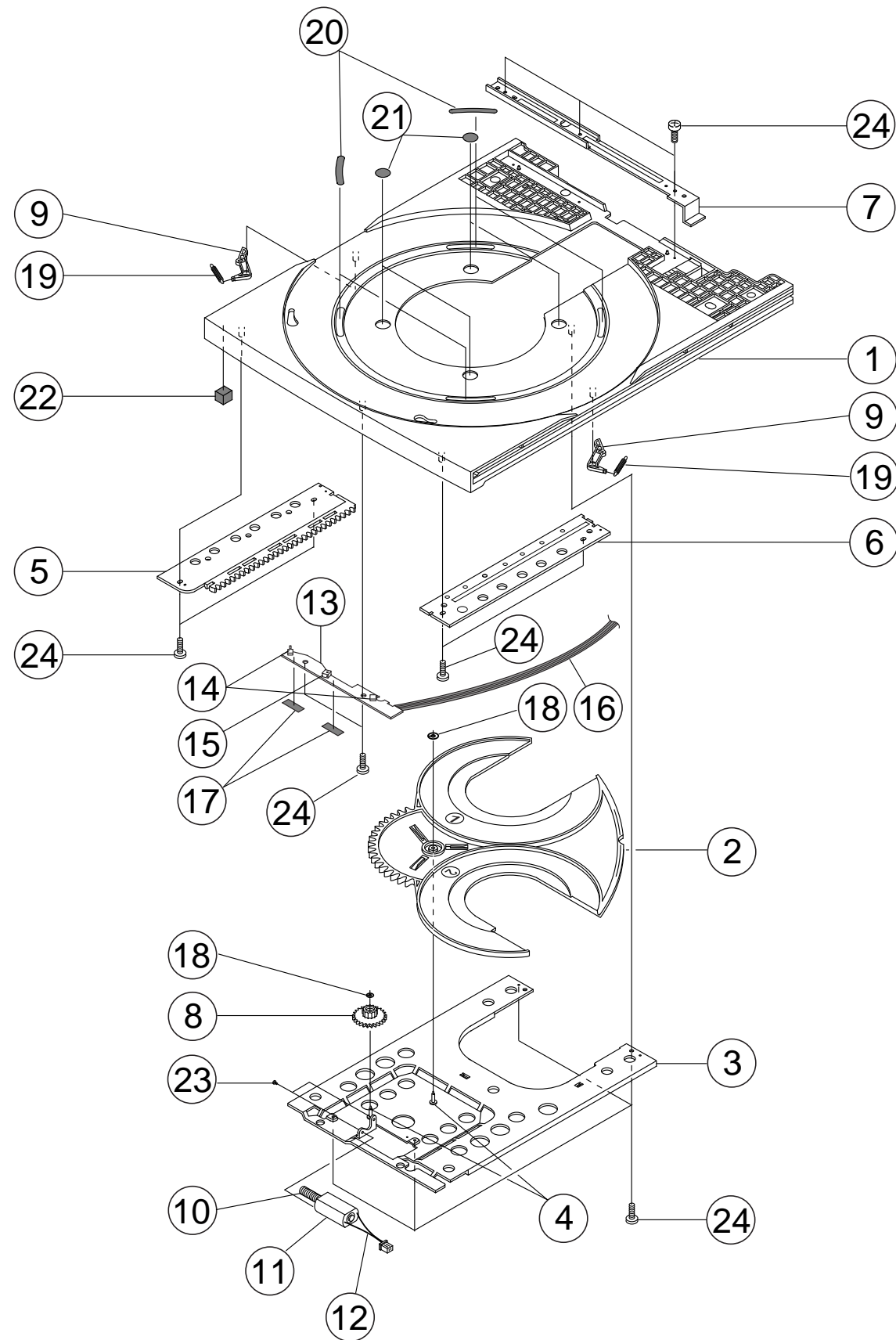
### ASSY-CENTER PART

1	AH61-10125A	BRKT-CENTER(M)	SECC 1.6+POM(M90-02)	1	
2	AH66-10007A	PULLEY-MOTOR	POM(M90-02)	1	
3	AH31-10015A	MOTOR-FEED	CVM-V30 2.5V 110MM	1	
4	3405-000101	SW-MICRO	MLS-24	2	
5	AH61-20107A	HOLDER-SWITCH	POM(M90-02) BLK	1	
6	AH61-10229A	BRKT-TRAY(A)	STS 1.0T	1	
7	AH60-10014A	SCREW-PH	M2*3 FE FZY	2	
8	6003-000276	SCREW-TAP TITE BH	2S-3*10 FE FZY	3	

### BRKT-HOLDER(2CD) PART

1	AH61-10118A	BRKT-HOLDER(M)	SECC 1.6+POM(M90-02)	1	
2	3405-000101	SW-MICRO	MLS-24	3	
3	AH66-20091A	GEAR-A	POM(DELIN 100P)	1	
4	AH66-20023A	GEAR-PULLEY(TRAY)	POM(M90-02)	1	
5	AH66-20165A	GEAR-CAM(2CD)	POM(M90-02)	1	
6	AH66-20004A	GEAR-LOCK	POM(M90-02)	1	
7	AH60-30004A	WASHER-SLIT	RUMINA RED 0.5T	2	
8	AH66-20106A	GEAR-PULLEY(B)	POM(M90-02)	1	
9	AH31-10021A	MOTOR-DC	RF-500TB 9V	1	
10	AH66-60005A	BELT-TRAY	NEOPRENE BLK	2	
11	AH73-10010A	RUBBER-DECK	BUTYL	4	
12	AH39-20016P	CONNECTOR-WIRE	51004- 4P 150MM	1	
13	AH39-20016Q	CONNECTOR-WIRE	51004- 2P 250MM	1	
14	AH60-10020B	SCREW-RH	M2.6*5 FE FZY	2	
15	6003-000256	SCREW-TAP BH SPEC	2S-3*10 FE FZY	1	
16	6003-000276	SCREW-TAP TITE BH	2S-3*10 FE FZY	1	
17	6003-000283	SCREW-TAP TITE BH	2S-3*8 FE FZY	1	

## 4-6 Tray Exploded View & Parts



### ASSY-TRAY(2CD) PARTS LIST

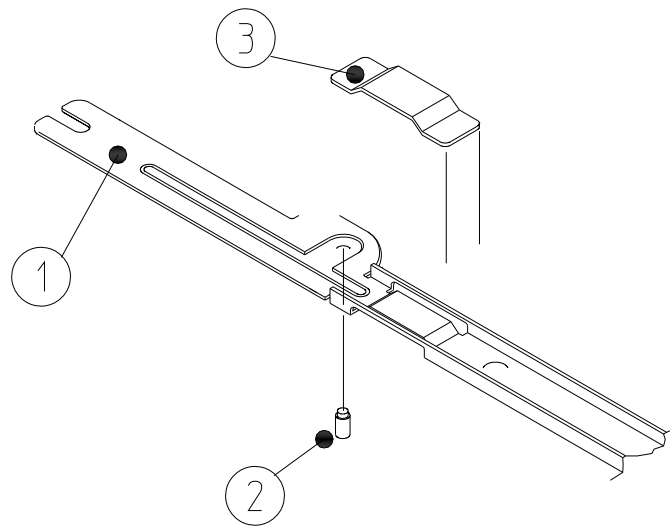
N O	CODE - NO	DESCRIPTION	SPECIFICATION	Q'TY
1	AH66-90032A	TRAY-MAIN	ABS BLK (HR-0370D)	1
2	AH66-90033A	TRAY-2CD	ABS BLK (HR-0370D)	1
3	AH61-10567A	BRKT-TRAY(2CD)	SECC 0.8T	1
4	AH61-50224A	SHAFT-GEAR(WORM)	SUM24L	2
5	AH66-20166A	GEAR-RACK(LM)	ABS + SECC 1.0T	1
6	AH66-20167A	GEAR-RACK(RM)	ABS + SECC 1.0T	1
7	AH61-10569A	BRKT-TRAY(REAR)	SECC 1.6T	1
8	AH66-20169A	GEAR-2CD	POM (M109-LD)	1
9	AH66-30071A	LEVER-LOCK(2CD)	POM (M109-LD)	2
10	AH66-20170A	GEAR-WORM(2CD)	POM (M109-LD)	1
11	AH31-10022A	MOTOR-LOADING	FF-050SH-09250	1
12	AH39-20544A	2P CONNECTOR ASSY	51004-02 1007#28	1
13	AH41-10436A	PCB-TRAY	DS1107 1.6T	1
14	3409-000176	SWITCH-DETECTOR	SPPB 62 TYPE	2
15	3711-000826	CONNECTOR-HEADER	BOX,2P,2MM	1
16	3809-001014	FLAT-CABLE	6*(0.1*0.8)-550	1
17	AH63-70113A	SHEET-HYMERON	HYMERON 0.3T BLK	2
18	6031-000157	WASHER-PLAIN	POLY 1.7*4.5*0.4T BLK	2
19	AH61-60265A	SPRING-LOCK	STS-W	2
20	AH63-70054B	CUSHION-DISC(L)	LEATHER T1.4 BLK	4
21	AH69-20022A	CUSHION-DISC(M)	LEATHER T0.8 BLK	4
22	AH69-20046A	CUSHION-TRAY	EVA 45 BLK	1
23	AH60-10027A	SCREW CH	M 2*3	2
24	6003-000283	SCREW-TAPTITE BH	M 3*8 ZPC(YEL)	13

Fig 4-7 Tray Exploded View

ASSY-BRKT LEVER (2CD) PART LIST

No.	CODE No.	Description	Specification	Q'TY	Remark
1	AH61-10570A	BRACKET-LEVER(2CD)	SECC 1.2T	1	
2	AH61-50052A	SHAFT-LEVER	SUM 24L(ZN )	1	
3	AH61-10274A	BRKT-LEVER SUPPORT	SECC 1.2T	1	

ASSY-BRKT LEVER(2CD)(AH95-50202A)  
EXPLODED-VIEW





## 6.Electric Parts List

Loc No	New Parts	Description ; Specification	Ald Parts
<b>AH90-10600B ASSY-PCB MAIN;DV7620KV,CHN</b>			
MD1,2,3,4,5,6,7,VD1,2,3 XD1,2,5,GL1,TD1 SD2,LD3,MD52,XZD50B KVD1,2,3,VDN1,2 VZD2,VZD1	0401-000005	DIODE-SWITCHING;1N4148,100V,200MA,5	112169-301-290
SZD1	0403-000342	DIODE-ZENER ;UZ3.6BSA,3.6V,3.47-3.68	12169-404-770
DZD1	0403-000344	DIODE-ZENER;UZ3.9B,3.9V,3.7-4.1V,50	12169-403-490
XZD1,SD1	0403-000352	DIODE-ZENER;UZ4.7BM,4.7V,4.4-5.0V,5	12169-403-200
XD3,4	0403-000354	DIODE-ZENER;UZ5.1B,5.1V,4.8-5.4V,50	12169-403-310
VVC1	0405-000122	DIODE-VARACTOR;1SV70A,30V,10NA,DO-3	12169-501-220
SQ11,14,15,VQ28,6,16,22,3 VQ17,20,21,10,4,25 VQ23,24	0405-000140	DIODE-VARACTOR;SVC321SP,-15V,-100NA	12169-501-230
XQ1,2,SQ19,VQB XQ6,10,11,VQ1,19,29,30,9 VQ7,12,13,14,15,27,31 VQ18,XQ2 VQA,SQ2,3,9,10,12 SQ13,13B,13C	0501-000314	TR-SMALL SIGNAL;KSA812,PNP,-60V,-50	11139-801-022
SQ1	0501-000341	TR-SMALL SIGNAL;KSC1623,NPN,60V,50V	11139-801-032
TQ2	0502-000001	TR-POWER;MJE171,PNP,-80V,-60V,-3A,1	12149-305-100
MQ1A	0504-000118	TR-DIGITAL;KSR1003,NPN,300MW,22K-22	12159-301-780
SQ5,6,13A,18,20,14A,31 MQ2.TQ3,4,5,5A,VQ8 TQ2,SQ8	0504-000127	TR-DIGITAL;NPN,200MW,10K-10KOHM,SOT	11139-801-040
VQ10A,11	0504-000128	TR-DIGITAL;NPN,200MW,22K-22KOHM,SOT	11139-801-182
MQ1,6,VQ32	0504-000129	TR-DIGITAL;KSR1104,NPN,200MW,47K-47	11139-901-012
SQ7,16,17,MQ3,4,XQ3,4,5 SQ17A,MQ8	0504-000154	TR-DIGITAL;PNP,200MW,10K-10KOHM,SOT	11139-801-050
VQ5	0504-000156	TR-DIGITAL;PNP,200MW,22K-22KOHM,SOT	11139-801-101
TQ1,39	0504-000158	TR-DIGITAL;KSR2104,PNP,200MW,47K-47	11139-801-060
MD8,9	0505-000191	FET-SILICON;2SK184Y,N,-,-,200MW,T	12139-601-120
MIC2,3	0601-000146	LED;ROUND,GRN,3.1MM,555NM	A4150-0123
XIC8	0801-000278	IC-CMOS LOGIC;4094B,SHIFT REGISTER,	B4004-0080
XIC9	0904-000158	IC-DSP;9283,-,QFP,80P,-,16.9344MHZ,	A4012-0292
SR80	1002-000169	IC-D / A CONVERTER;PCM1710U,16BIT,SOP	B4012-0381
SR3C,VR27	10809-100-710	CEMEDINE;#575	
SR31,33	11119-101-202	R-CHIP;SCR2012 202J	
SC77,83	11119-101-271	R-CHIP;MCR10,2012S 270-J	
SC90,XC58,70,71,77,38,VC32	11119-101-394	R-CHIP;SCR2012S 390K-J	
XC57,60,72,75,VC27	11129-004-333	C-CHIP CERAMIC;CC 2012 X7R 333K T	
SIC2,3,TIC1,3,VIC4,5	11129-004-473	C-CHIP,CERAMIC;CC 2012 X7R 473K T	
XIC6	11129-008-221	C-CHIP CERAMIC;CC 2012 COG 221J T	
SIC6	1201-000163	IC-OP AMP;4560,SOP,8P,150MIL,DUAL,1	12119-401-300
VIC2	1204-000109	IC-ASP;KA9401,QFP,80P,-,PLASTIC,6V,	A4012-0211
VIC3	1204-000218	IC-SSP;KA9421,QFP,100P,-,PLASTIC,6V	A4012-0210
VIC1	1204-000241	IC-VSP;KA9413,QFP,100P,-,PLASTIC,6V	A4012-0379
SR6	1204-000242	IC-VSP;KA9414D,SOP,30P,-,PLASTIC,6V	A4012-0380
MR13A	1205-000528	IC-GENERATOR;KS0118,QFP,80P,-,PLAST	
	2001-000020	R-CARBON(S);22OHM,5%,1 / 2W,AA,TP,2.4	11018-377-220
	2001-000027	R-CARBON;100OHM,5%,1 / 4W,AA,TP,2.4X6	11018-277-101



Loc No	New Parts	Description ; Specification	Ald Parts
VR145	2001-000118	R-CARBON(S);180OHM,5%,1/2W,AA,TP,2.	11018-377-181
JW206	2001-000241	R-CARBON;1.5KOHM,5%,1/8W,AA,TP,1.8X	11018-877-152
SR10	2001-000258	R-CARBON;1.8KOHM,5%,1/8W,AA,TP,1.8X	11018-877-182
SR2,5,MR6,JW242A	2001-000290	R-CARBON;10KOHM,5%,1/8W,AA,TP,1.8X3	11018-877-103
SR20	2001-000319	R-CARBON;120KOHM,5%,1/8W,AA,TP,1.8X	11018-877-124
VR143,141,142,TR32,VR47A	2001-000429	R-CARBON;1KOHM,5%,1/8W,AA,TP,1.8X3.	11018-877-102
GR11,12,13,14,TR32A,ER20			
VR139A,GR12A,DRR1,2,JW389F			
SR15,19,VR142A	2001-000449	R-CARBON;2.2KOHM,5%,1/8W,AA,TP,1.8X	11018-877-222
SR17	2001-000515	R-CARBON;220OHM,5%,1/8W,AA,TP,1.8X3	11018-877-221
TR25	2001-000527	R-CARBON;220OHM,5%,1/8W,AA,TP,1.8X3.	11018-877-220
SR9	2001-000591	R-CARBON;3.3KOHM,5%,1/8W,AA,TP,1.8X	11018-877-332
SR8Y	2001-000613	R-CARBON;3.9KOHM,5%,1/8W,AA,TP,1.8X	11018-877-392
TR28	2001-000702	R-CARBON;39KOHM,5%,1/8W,AA,TP,1.8X3	11018-877-393
VR140	2001-000734	R-CARBON;4.7KOHM,5%,1/8W,AA,TP,1.8X	11018-877-472
XR150A	2001-000780	R-CARBON;470OHM,5%,1/8W,AA,TP,1.8X3	11018-877-471
SR8,XR4	2001-000786	R-CARBON;47KOHM,5%,1/8W,AA,TP,1.8X3	11018-877-473
MR13,14	2001-000812	R-CARBON;5.6KOHM,5%,1/8W,AA,TP,1.8X	11018-877-562
SR21,22	2001-000890	R-CARBON;6.8KOHM,5%,1/8W,AA,TP,1.8X	11018-877-682
MR12A	2001-000938	R-CARBON;68OHM,5%,1/8W,AA,TP,1.8X3.	11018-877-680
VR147,146	2001-000969	R-CARBON;75OHM,5%,1/8W,AA,TP,1.8X3.	11018-877-750
SR13	2001-001000	R-CARBON;82KOHM,5%,1/8W,AA,TP,1.8X3	11018-877-823
SR1	2001-001035	R-CARBON;91OHM,5%,1/8W,AA,TP,1.8X3.	11018-877-910
SR11,12	2001-001096	R-CARBON(S);2.2OHM,5%,1/2W,AA,TP,2.	11018-377-229
SR48,106,108,TR40,42,22	2007-000001	R-CHIP;68KOHM,5%,1/10W,DA,TP,2012	11119-101-683
SR18,148A			
VR71,1,33,VR78,SR8E	2007-000030	R-CHIP;560OHM,5%,1/10W,DA,TP,2012	11119-101-561
SR109,XR108,VR68,109,13	2007-000221	R-CHIP;1.2KOHM,5%,1/10W,DA,TP,2012	11119-101-122
VR110			
VR18D,49	2007-000225	R-CHIP;1.2MOHM,5%,1/10W,DA,TP,2012	A1020-0302
SR90,XR84,26,SR57Z	2007-000241	R-CHIP;1.5KOHM,5%,1/10W,DA,TP,2012	11119-101-152
VR59,20,77,XR100			
SR86,88,VR82,VR18,SR46	2007-000267	R-CHIP;1.8KOHM,5%,1/10W,DA,TP,2012	11119-101-182
SR124,142,146,TR3,33	2007-000282	R-CHIP;100KOHM,5%,1/10W,DA,TP,2012	11119-101-104
XR83,98,115,116			
VR37,36A,XR21,11			
SR45,83,161,XR16,12,20,15	2007-000290	R-CHIP;100OHM,5%,1/10W,DA,TP,2012	11119-101-101
VR5,3,114,111,74A			
SR8F,95,102,123,136,158	2007-000300	R-CHIP;10KOHM,5%,1/10W,DA,TP,2012	11119-101-103
SR32,36,MR4,5,VRC			
TR23,27,35,VR57			
XR28,51A,VR58,85,TR31B			
SR41,50,51,52,53			
SR54,64,MR5D,15			
SR67,72,73,103	2007-000308	R-CHIP;10OHM,5%,1/10W,DA,TP,2012	11119-101-100
SR121	2007-000338	R-CHIP;120KOHM,5%,1/10W,DA,TP,2012	11119-101-124
SR118,133B,VR86,124	2007-000355	R-CHIP;12KOHM,5%,1/10W,DA,TP,2012	11119-101-123
SR117,119,120,144	2007-000395	R-CHIP;150KOHM,5%,1/10W,DA,TP,2012	11119-101-154
XR88,89,SR43			
VR51	2007-000401	R-CHIP;150OHM,5%,1/10W,DA,TP,2012	11119-101-151
SR85,114,131,168,169,55,VR60	2007-000409	R-CHIP;15KOHM,5%,1/10W,DA,TP,2012	11119-101-153
TR4,6,16,31,XR82,94,VR7,73			
VR88	2007-000449	R-CHIP;180OHM,5%,1/10W,DA,TP,2012	11119-101-181

Loc No	New Parts	Description ; Specification	Ald Parts
SR68,74,76,154,TR26	2007-000457	R-CHIP;18KOHM,5%,1 / 10W,DA,TP,2012	11119-101-183
SR8D,66,122,127,125,166	2007-000468	R-CHIP;1KOHM,5%,1 / 10W,DA,TP,2012	11119-101-102
VR74,70,29,84,66,64,115,56			
VR116,126,117,102A			
VR11,83,81,93,120			
VR17,25,127,XR106,13,104,105	2007-000468	R-CHIP;1KOHM,5%,1 / 10W,DA,TP,2012	11119-101-102
XR113,114,TR40A,MR5A,5B			
SR63,66A,149,VR99B,103			
SR105,MR2	2007-000477	R-CHIP;1MOHM,5%,1 / 10W,DA,TP,2012	11119-101-105
SR60,89,111,132,MR9,10,11	2007-000493	R-CHIP;2.2KOHM,5%,1 / 10W,DA,TP,2012	11119-101-222
VR36,65,63,46,10,112			
XR61,80,99,112,134A			
VR14,49B,SR92,90B			
VR105			
VR32	2007-000511	R-CHIP;2.4KOHM,5%,1 / 10W,DA,TP,2012	A1020-0066
SR44,82,140,VR30,91,89	2007-000518	R-CHIP;2.7KOHM,5%,1 / 10W,DA,TP,2012	11119-101-272
SR129,134,156,XR123	2007-000565	R-CHIP;220KOHM,5%,1 / 10W,DA,TP,2012	11119-101-224
SR133			
SR57,MR4A,VR4,92,87,101	2007-000572	R-CHIP;220OHM,5%,1 / 10W,DA,TP,2012	11119-101-221
SR62,69,70,98,101,155,110	2007-000586	R-CHIP;22KOHM,5%,1 / 10W,DA,TP,2012	11119-101-223
SR163,TR2,VR75,8,76			
XR57,95,134			
TR15	2007-000635	R-CHIP;270KOHM,5%,1 / 10W,DA,TP,2012	11119-101-274
SR112,115,116,145,170	2007-000653	R-CHIP;27KOHM,5%,1 / 10W,DA,TP,2012	11119-101-273
TR7,8,SR143			
XR97,93,TR10,41,MR5C			
XR49,121,122,VR31	2007-000686	R-CHIP;3.3KOHM,5%,1 / 10W,DA,TP,2012	11119-101-332
SR138,107,8A,58,56,160			
VR96,45,21,SR47			
VR96,45,21,SR47			
SR91,164	2007-000703	R-CHIP;3.6KOHM,5%,1 / 10W,DA,TP,2012	11119-101-362
VR135,131,XR76,62,VR15	2007-000710	R-CHIP;3.9KOHM,5%,1 / 10W,DA,TP,2012	11119-101-392
SR81,VR41,37,44,42,43	2007-000766	R-CHIP;330OHM,5%,1 / 10W,DA,TP,2012	11119-101-331
VR39,38,79,40			
SR159			
SR78,96,148,90A,TR13	2007-000774	R-CHIP;33KOHM,5%,1 / 10W,DA,TP,2012	11119-101-333
XR90,VR22B			
SR87	2007-000798	R-CHIP;360OHM,5%,1 / 10W,DA,TP,2012	A1020-0085
SR135	2007-000804	R-CHIP;36KOHM,5%,1 / 10W,DA,TP,2012	11119-101-363
SR71,84,139	2007-000830	R-CHIP;39KOHM,5%,1 / 10W,DA,TP,2012	11119-101-393
TR17,24,29,VR19,SR133A			
SR100,XR10,23,51	2007-000872	R-CHIP;4.7KOHM,5%,1 / 10W,DA,TP,2012	11119-101-472
VR12,67,72,SR153			
XR102,103,VR69,136,XR75			
MR20			
SR61,77,8B,XR109,17,19,VR54,55	2007-000931	R-CHIP;470OHM,5%,1 / 10W,DA,TP,2012	11119-101-471
VR119,94,132,90,34,121			
SR62A			
SR113,130,137,MR7,8	2007-000941	R-CHIP;47KOHM,5%,1 / 10W,DA,TP,2012	11119-101-473
TR1,34,18,XR79,86,101,56			
SR94,XR111,MR12B	2007-000947	R-CHIP;47OHM,5%,1 / 10W,DA,TP,2012	11119-101-470
SR141,VR68B,68A,134,109A	2007-000981	R-CHIP;5.6KOHM,5%,1 / 10W,DA,TP,2012	11119-101-562
MR5E			

Loc No	New Parts	Description ; Specification	Ald Parts
SR147,,157,TR21 SR99,VR62	2007-001039	R-CHIP;56KOHM,5%,1 / 10W,DA,TP,2012	11119-101-563
SR65,152,79,TR9,VR6,TR20 XR81,85,92,96,107,60,69	2007-001071	R-CHIP;6.8KOHM,5%,1 / 10W,DA,TP,2012	11119-101-682
SR59,XR91,VR2 VR118,122	2007-001118 2007-001133	R-CHIP;680OHM,5%,1 / 10W,DA,TP,2012 R-CHIP;68OHM,5%,1 / 10W,DA,TP,2012	11119-101-681 11119-101-680
SR93,VR16 VR123	2007-001155 2007-001166	R-CHIP;750OHM,5%,1 / 10W,DA,TP,2012 R-CHIP;75OHM,5%,1 / 10W,DA,TP,2012	A1020-0122 A1020-0121
SR30,34 VR35,50	2007-001195 2007-001201	R-CHIP;820KOHM,5%,1 / 10W,DA,TP,2012 R-CHIP;820OHM,5%,1 / 10W,DA,TP,2012	11119-101-824 11119-101-821
SR75,151,XR87 XR110	2007-001208 2007-001216	R-CHIP;82KOHM,5%,1 / 10W,DA,TP,2012 R-CHIP;82OHM,5%,1 / 10W,DA,TP,2012	11119-101-823 11119-201-820
XR63,71 SVR4,5,6	2007-001239 2103-000171	R-CHIP;910OHM,5%,1 / 10W,DA,TP,2012 VR-SEMI;10KOHM,30%,1 / 10W,TP	A1020-0132 11249-102-034
SVR3 SVR1	2103-000210 2103-000290	VR-SEMI;1KOHM,30%,1 / 10W,TP VR-SEMI;20KOHM,30%,1 / 10W,TP	B1054-0082 11249-102-044
SVR7 VVR1,VVR2	2103-000435 2103-000461	VR-SEMI;500OHM,30%,1 / 10W,TP VR-SEMI;50KOHM,30%,1 / 10W,TP	11249-102-014 11249-102-064
SVR2 SC17	2103-000492 2202-000216	VR-SEMI;5KOHM,30%,1 / 10W,TP C-CERAMIC,MLC-AXIAL;27PF,5%,50V,SL,	11249-102-024 11449-148-270
MC4,4A,REC1,DEC10 SC18	2202-000780 2202-000781	C-CERAMIC,MLC-AXIAL;100NF,+80-20%,5 C-CERAMIC,MLC-AXIAL;100PF,10%,50V,Y	11449-010-104 11449-518-101
SC4,6,XC23,24,VC47Y,DEC2 VC68Z	2202-000785 2202-000819	C-CERAMIC,MLC-AXIAL;10NF,20%,16V,Y5 C-CERAMIC,MLC-AXIAL;47NF,+80-20%,50	11447-910-103 11449-010-473
XC61,74,VC28,29 SC22,43,51,57,61,UC01A	2203-000142 2203-000192	C-CERAMIC,CHIP;1.5NF,10%,50V,X7R,20 C-CERAMIC,CHIP;100NF,+80-20%,50V,Y5	11129-004-152 11129-001-104
XC50,51,VC59,84,33,34,42 VC57,61,DC15,100,101,104A MC7A,10A,VC34A,SC88,8 DC100,JC95,98,99,DEC5 VC31A,62A,SC5C,REC1			
XC67,VC51A,SC15 SC58,62,71,72,73,79,80,78	2203-000239 2203-000260	C-CERAMIC,CHIP;100PF,5%,50V,NPO,201 C-CERAMIC,CHIP;10NF,10%,50V,X7R,201	11129-009-101 11129-004-103
SC81,84,XC31,68,69,78,81 MC6,7,10,11,TC23,32,33,25 VC55,56,30,35,18,19,20,XC78A VC24,11,53,43,49,47,46,51,31 VC58,TC35,SC9,XC30			
SC53,59A,59B SC63,VC10,22	2203-000295 2203-000316	C-CERAMIC,CHIP;10PF,5%,50V,NPO,2012 C-CERAMIC,CHIP;120PF,5%,50V,NPO,201	11129-009-100 11129-008-121
SC87,75,TC26,29 VC38,45	2203-000323 2203-000335	C-CERAMIC,CHIP;12NF,10%,50V,X7R,201 C-CERAMIC,CHIP;12PF,5%,50V,NPO,2012	11129-004-123 11129-001-120
XC65 SC69,VC2	2203-000342 2203-000361	C-CERAMIC,CHIP;130PF,5%,50V,NPO,321 C-CERAMIC,CHIP;150PF,5%,50V,NPO,201	11128-001-131 11129-004-153
SC76 MC8,9,VC14A,25,26,52F XC79,80	2203-000374 2203-000391	C-CERAMIC,CHIP;15NF,10%,50V,X7R,201 C-CERAMIC,CHIP;15PF,5%,50V,NPO,3216	11129-004-153 11129-008-150
VC54,47Z XC56,VC36,48	2203-000408 2203-000429	C-CERAMIC,CHIP;180PF,5%,50V,NPO,201 C-CERAMIC,CHIP;18PF,5%,50V,NPO,2012	11129-008-181 11129-008-180
SC52,XC49,54,59,64,VC50,41,21 SC91,82,85A,VC60,44	2203-000444 2203-000495	C-CERAMIC,CHIP;1NF,10%,50V,X7R,2012 C-CERAMIC,CHIP;2.2NF,10%,50V,X7R,20	11129-004-102 11129-004-222
XC52 XC55	2203-000533 2203-000555	C-CERAMIC,CHIP;2.7NF,10%,50V,X7R,20 C-CERAMIC,CHIP;20PF,5%,50V,NPO,2012	11129-004-272 11129-009-200
VC80A,34A,SC39	2203-000609	C-CERAMIC,CHIP;22NF,10%,50V,X7R,201	11129-004-223

Loc No	New Parts	Description ; Specification	Ald Parts
VC6,52A,52B,52	2203-000634	C-CERAMIC,CHIP;22PF,5%,50V,NPO,2012	11129-001-220
VC4	2203-000661	C-CERAMIC,CHIP;270PF,5%,50V,NPO,201	11129-015-271
SC91A	2203-000716	C-CERAMIC,CHIP;3.3NF,10%,50V,X7R,20	11129-004-332
SC68	2203-000727	C-CERAMIC,CHIP;3.9NF,10%,50V,X7R,20	11129-004-392
VC7A	2203-000749	C-CERAMIC,CHIP;30PF,5%,50V,NPO,2012	11129-009-300
SC60	2203-000784	C-CERAMIC,CHIP;330PF,5%,50V,NPO,201	11129-001-331
VC15,7,SC6Z	2203-000818	C-CERAMIC,CHIP;33PF,5%,50V,NPO,2012	11129-008-330
VC5	2203-000839	C-CERAMIC,CHIP;390PF,5%,50V,NPO,201	11129-008-391
XC66,SC6A	2203-000858	C-CERAMIC,CHIP;39PF,5%,50V,NPO,2012	11129-021-390
VC13,16	2203-000882	C-CERAMIC,CHIP;3PF,5%,50V,NPO,2012,	11129-001-030
SC65,86,XC53,63	2203-000891	C-CERAMIC,CHIP;4.7NF,10%,50V,X7R,20	11129-012-472
TC20,21,30	2203-000953	C-CERAMIC,CHIP;470PF,5%,50V,NPO,201	11129-004-471
SC54,VC17,12,1	2203-001007	C-CERAMIC,CHIP;47PF,5%,50V,NPO,3216	11129-008-470
SC70	2203-001035	C-CERAMIC,CHIP;5.6NF,10%,50V,X7R,20	11129-004-562
SC66,VC62,SC85	2203-001058	C-CERAMIC,CHIP;560PF,5%,50V,NPO,201	11129-019-561
SC67,XC62,73,VC63,8,9	2203-001077	C-CERAMIC,CHIP;56PF,5%,50V,NPO,2012	11129-001-560
VC14			
SC55	2203-001105	C-CERAMIC,CHIP;6.8NF,10%,50V,X7R,20	11129-004-682
TC24	2203-001132	C-CERAMIC,CHIP;680PF,5%,50V,NPO,201	11129-009-681
TC31,VC40	2203-001137	C-CERAMIC,CHIP;68NF,+80-20%,50V,Y5V	11129-004-683
SC14,16,59,XC37A,VC52C	2203-001158	C-CERAMIC,CHIP;68PF,5%,50V,NPO,2012	11129-001-680
SC74,XC32,76,35,44	2203-001214	C-CERAMIC,CHIP;8.2NF,10%,50V,X7R,20	11129-004-822
XC37,45	2203-001230	C-CERAMIC,CHIP;820PF,5%,50V,NPO,201	A1100-0760
VC13,3	2203-001245	C-CERAMIC,CHIP;82PF,5%,50V,NPO,2012	11129-008-820
SC29,41,TC4,12	2301-000218	C-FILM,PEF;220NF,5%,50V,-,-,TP	11517-213-224
TC5,10	2301-000389	C-FILM,PEF;150NF,5%,50V,12.5X15X7.5	11505-713-154
TC3	2301-000403	C-FILM,PEF;2.2NF,10%,50V,5.5X12X3,3	11505-714-222
TC8	2301-000459	C-FILM,PEF;56NF,5%,50V,9.5X12.5X5,6	11505-713-563
SC25,38	2303-000312	C-FILM,PPF;100NF,1%,50V,7.5*12.5*3.	A1102-0164
SC23,24,XC76B	2401-000240	C-AL;100UF,20%,10V,GP,6*11MM,5MM,TP	11608-102-104
DC10,11	2401-000270	C-AL;100UF,20%,16V,GP,6.3*7,2.5MM,T	11608-153-101
VC65A,98			
VC81,82,78,90,91,75,76,77	2401-000273	C-AL;100UF,20%,16V,GP,6.3X11,2.5MM,	11608-103-104
VC80,73,65,95,99,SC33			
TC2,7,15,SC12A,VC86,67,68			
VC69,72	2401-000410	C-AL;10UF,20%,16V,GP,4*7,-,TP	11608-153-100
XC13,16,SC26,VC83,87,88,93,85	2401-000415	C-AL;10UF,20%,16V,GP,5*11,2MM,	11608-103-103
SC3,44,VC79,DC13,103	2401-000600	C-AL;1UF,20%,50V,GP,5*11,2MM,	11608-106-102
MC1A	2401-000658	C-AL;2.2UF,20%,50V,GP,5*11,2MM,	11608-106-222
VC70,71,70A,66	2401-000778	C-AL;220UF,20%,10V,GP,6.3X11,2.5MM,	11608-102-224
XC19,20,22	2401-000805	C-AL;220UF,20%,16V,GP,8*11.5,3.5MM,	11608-103-221
XC2,3,4,11,14,15,17,18	2401-000907	C-AL;22UF,20%,16V,GP,5*11,2MM,	11608-103-223
SC2,VC74,DC102,104			
SC12,13,19,XC38A,76A,TC12A	2401-001266	C-AL;4.7UF,20%,50V,GP,5*11,2MM,	11608-106-472
SC32,XC12	2401-001326	C-AL;470NF,20%,50V,GP,4*7,1.5MM,TP	11608-156-471
XC1,2A,VC96,97,XC25	2401-001351	C-AL;470UF,20%,10V,GP,8X11.5,-,	11608-102-471
MC5,TC16,DEC1	2401-001494	C-AL;47UF,20%,16V,GP,5*11,2MM,	11608-103-473
MC160A			
SC7,SC10	2401-001529	C-AL;47UF,20%,25V,GP,5*11,2MM,	11608-104-473
MC3	2401-001881	C-AL;1000UF,20%,10V,GP,10X12MM,5MM,	11608-102-102
VC89	2401-001891	C-AL;100UF,20%,10V,GP,6X11MM,5MM,TP	11608-202-101
SC35,36,42,TC11,SC37	2401-001907	C-AL;10UF,20%,16V,GP,5X11MM,5MM,TP	11608-203-100
SC5,20,21,40	2401-001914	C-AL;1UF,20%,50V,GP,5X11MM,5MM,TP	11608-206-109
SC28	2401-001936	C-AL;22UF,20%,16V,GP,5X11MM,5MM,TP	11608-203-220
SC31	2401-001989	C-AL;4.7UF,20%,50V,GP,5*11MM,5MM,TP	11608-206-479

Loc No	New Parts	Description ; Specification	Ald Parts
SC30	2401-001991	C-AL;2.2UF,20%,50V,GP,5*11MM,5MM,TP	11608-206-229
SC34	2401-001995	C-AL;470NF,20%,50V,BP,5X11MM,5MM,TP	11608-206-478
VCTC1	2502-000127	C-CERAMIC TRIMMER;20-4.6PF,+50-0%,1	11829-512-030
VL11	2701-000111	INDUCTOR-AXIAL;100UH,10%,2.5X3.4MM	12429-411-101
VL10,14,ML1A,SL1 VL13Z	2701-000114	INDUCTOR-AXIAL;10UH,10%,2.5X3.4MM	12429-411-100
VL2,3,4	2701-000120	INDUCTOR-AXIAL;12UH,10%,2.5X3.4MM	12429-211-120
SL2,4	2701-000123	INDUCTOR-AXIAL;150UH,10%,2.5X3.4MM	12429-211-151
SL3	2701-000134	INDUCTOR-AXIAL;180UH,10%,4.2X9.8MM	12429-311-181
VL13,13A,13B ML5B,VL6,GL1A VL12,5	2701-000159	INDUCTOR-AXIAL;22UH,10%,4.2X9.8MM	12429-311-220
VL1	2701-000166	INDUCTOR-AXIAL;3.3UH,10%,2.5X3.4MM	12429-211-339
DLL1	2701-000177	INDUCTOR-AXIAL;33UH,10%,2.5X3.4MM	12429-211-330
XL2,VL7	2701-000178	INDUCTOR-AXIAL;33UH,10%,2.8X7MM	12429-511-330
XL3,ML4,5,VL8	2701-000191	INDUCTOR-AXIAL;47UH,10%,2.5X3.4MM	12429-211-470
VX1	2701-000205	INDUCTOR-AXIAL;56UH,10%,2.5X3.4MM	12429-211-560
XX1	2801-001420	CRYSTAL-UNIT;14.31818MHZ,30PPM,28-A	A1280-0248
VX2	2801-001423	CRYSTAL-UNIT;16.9344MHZ,17PPM,28-AA	A1280-0249
MX1	2801-001427	CRYSTAL-UNIT;24.576MHZ,30PPM,28-AAM	A1280-0252
XFL1	2802-000108	RESONATOR-CERAMIC;12MHZ,0.5%,BK,10.	14539-503-130
SW1,2,3,4,5,6,7	2909-000157	FILTER-LC;2.3 / 2.81MHZ,+50KHZ,3DB,3	A1240-0115
SCW1	3404-000157	SWITCH-TACT;12V,50MA,160GF+-50GF,-	A3018-0026
TCW2	3708-000266	CONNECTOR-FPC / FC / PIC;32P,1.25MM,STR	B6013-0069
TCW3	3711-000678	CONNECTOR-HEADER;BOX,13P,1R,2.5MM,S	13349-103-130
TCW1	3711-000724	CONNECTOR-HEADER;BOX,15P,1R,2MM,STR	A6010-0169
KVW1	3711-000736	CONNECTOR-HEADER;BOX,18P,1R,2.5MM,B	A6010-0753
DLL1	3711-000907	CONNECTOR-HEADER;BOX,3P,1R,2MM,STRA	13349-119-030
TCW4	3711-001062	CONNECTOR-HEADER;BOX,6P,1R,2MM,STRA	13349-119-060
TIC2	3711-001102	CONNECTOR-HEADER;BOX,7P,1R,2MM,STRA	13349-119-070
SIC4,5	AH14-10001R	IC-PHASE COMP;TC5081AP,SIP,	
MCW1	AH14-10004V	IC-DRIVER;LA6510,SIP,	
XCWA	AH39-20004N	LEAD-CONNECTOR ASS'Y;51004,-,5P,200	13052-901-560
NCW1	AH39-20008M	LEAD-CONNECTOR ASS'Y;5264,5395,2P,1	13078-472-115
TCW4	AH39-20022C	LEAD-CONNECTOR ASS'Y;51004,35023,2P	16439-0199-00
XCW4	AH39-20025X	LEAD-CONNECTOR,ASSY;51004-05,35023-	16439-0296-00
XCW1	AH39-20519A	LEAD CONNECTOR-ASSY;- ,51004,5295,7P	
EYE	AH39-20520A	LEAD CONNECTOR-ASSY;- ,5264,5395,10P	
TAP1,2	AH59-60001F	MODULE-REMOCON;ORC-638V,38KHZ,-,MES	A1294-0024
KA9421 IC	AH61-40022C	STUD-TAP;SPC1,T0.5,BT2,-,-,	13124-100-713
	AH62-30115A	HEAT SINK-IC;- ,BSP,- ,T1.0,NATURAL,Y	

### ASSY-OPTION PCB;DV535K,

NQ01	0501-000341	TR-SMALL SIGNAL;KSC1623,NPN,60V,50V	11139-801-032
NIC1	1001-000197	IC-VIDEO SWITCH;NJM2233BM,2-INPUT,S	
NR11	11119-101-394	R-CHIP;SCR2012S 390K-J	
NC07,08	11129-004-473	C-CHIP,CERAMIC;CC 2012 X7R 473K T	
NIC3	1204-000379	IC-PAL / NTSC DECODER;CXA1228S,DIP,28	
NIC2	1204-000381	IC-PAL / NTSC ENCODER;CXA1229P,DIP,24	
PAL	2001-000290	R-CARBON;10KOHM,5%,1 / 8W,AA,TP,1.8X3	11018-877-103
NR02,04,14	2007-000267	R-CHIP;1.8KOHM,5%,1 / 10W,DA,TP,2012	11119-101-182
NR05	2007-000282	R-CHIP;100KOHM,5%,1 / 10W,DA,TP,2012	11119-101-104
NR07	2007-000300	R-CHIP;10KOHM,5%,1 / 10W,DA,TP,2012	11119-101-103
NR09,16	2007-000409	R-CHIP;15KOHM,5%,1 / 10W,DA,TP,2012	11119-101-153
NR10	2007-000444	R-CHIP;180KOHM,5%,1 / 10W,DA,TP,2012	11119-101-184

Loc No	New Parts	Description ; Specification	Ald Parts
NR03	2007-000457	R-CHIP;18KOHM,5%,1 / 10W,DA,TP,2012	11119-101-183
NR15,17,20,21,22,23,24	2007-000468	R-CHIP;1KOHM,5%,1 / 10W,DA,TP,2012	11119-101-102
NR19	2007-000653	R-CHIP;27KOHM,5%,1 / 10W,DA,TP,2012	11119-101-273
NR06,08	2007-000710	R-CHIP;3.9KOHM,5%,1 / 10W,DA,TP,2012	11119-101-392
NR18	2007-000872	R-CHIP;4.7KOHM,5%,1 / 10W,DA,TP,2012	11119-101-472
NR01	2007-000931	R-CHIP;470OHM,5%,1 / 10W,DA,TP,2012	11119-101-471
NR13	2007-001071	R-CHIP;6.8KOHM,5%,1 / 10W,DA,TP,2012	11119-101-682
NR12	2007-001177	R-CHIP;8.2KOHM,5%,1 / 10W,DA,TP,2012	11119-101-822
NVR3	2103-000171	VR-SEMI;10KOHM,30%,1 / 10W, TOP	11249-102-034
NVR2	2103-000210	VR-SEMI;1KOHM,30%,1 / 10W, TOP	B1054-0082
NVR5	2103-000290	VR-SEMI;20KOHM,30%,1 / 10W, TOP	11249-102-044
NVR4	2103-000435	VR-SEMI;500OHM,30%,1 / 10W, TOP	11249-102-014
NVR1	2103-000492	VR-SEMI;5KOHM,30%,1 / 10W, TOP	11249-102-024
NC30A	2202-000785	C-CERAMIC,MLC-AXIAL;10NF,20%,16V,Y5	11447-910-103
NC04,06,12,14,14A,15A	2203-000192	C-CERAMIC,CHIP;100NF,+80-20%,50V,Y5	11129-001-104
NC05,09,11,13	2203-000260	C-CERAMIC,CHIP;10NF,10%,50V,X7R,201	11129-004-103
NC13Z	2203-000316	C-CERAMIC,CHIP;120PF,5%,50V,NPO,201	11129-008-121
NC11A	2203-000408	C-CERAMIC,CHIP;180PF,5%,50V,NPO,201	11129-008-181
NC02	2203-000429	C-CERAMIC,CHIP;18PF,5%,50V,NPO,2012	11129-008-180
NC03	2203-000634	C-CERAMIC,CHIP;22PF,5%,50V,NPO,2012	11129-001-220
NC10	2203-000749	C-CERAMIC,CHIP;30PF,5%,50V,NPO,2012	11129-009-300
NC01	2203-001077	C-CERAMIC,CHIP;56PF,5%,50V,NPO,2012	11129-001-560
NC30	2401-000273	C-AL;100UF,20%,16V,GP,6.3X11,2.5MM,	11608-103-104
NC32,29	2401-000415	C-AL;10UF,20%,16V,GP,5*11,2MM,	11608-103-103
NC22	2401-000600	C-AL;1UF,20%,50V,GP,5*11,2MM,	11608-106-102
NC20	2401-000907	C-AL;22UF,20%,16V,GP,5*11,2MM,	11608-103-223
NC21	2401-001266	C-AL;4.7UF,20%,50V,GP,5*11,2MM,	11608-106-472
NC23,28	2401-001494	C-AL;47UF,20%,16V,GP,5*11,2MM,	11608-103-473
NC25,26,27	2401-001914	C-AL;1UF,20%,50V,GP,5X11MM,5MM,TP	11608-206-109
NC24	2401-001995	C-AL;470NF,20%,50V,BP,5X11MM,5MM,TP	11608-206-478
NCTC1	2502-000151	C-CERAMIC TRIMMER;50-13.5PF,+50-0%,	A1111-0012
VL14L,14N	2701-000114	INDUCTOR-AXIAL;10UH,10%,2.5X3.4MM	12429-411-100
NX2	2801-001432	CRYSTAL-UNIT;3.579545MHZ,30PPM,28-A	A1280-0250
NX1	2801-001436	CRYSTAL-UNIT;4.433619MHZ,30PPM,28-A	A1280-0251
SW8	3408-000250	SWITCH-SLIDE;30V,300MA,SPDT,-	13519-930-220
NFL4	B1146-0070	DELAY-LINE;SEL-5620 600NS STICK	

### ASSY-OPTION PCB MAIN;DV7620KV,CHN

DRIC1	AC14-12003K	IC-MOTOR DRIVER;KA8301,SIP,10P,-,SI	
KVJC1	2007-000029	R-CHIP;0OHM,5%,1 / 10W,DA,TP,2012	11119-101-000
KVC1	2203-000192	C-CERAMIC,CHIP;100NF,+80-20%,50V,Y5	11129-001-104
KVW1	3711-000907	CONNECTOR-HEADER;BOX,3P,1R,2MM,STRA	13349-119-030
MIC1	AH09-10060W	IC-MASK ROM;LC86P6232,-,DIP	

### AH90-10601B ASSY-PCB FRONT;DV7620KV,CHN

FD1,2,3,4,5,6,7	0401-000005	DIODE-SWITCHING;1N4148,100V,200MA,5	12169-301-290
FZD1,2	0403-000354	DIODE-ZENER;UZ5.1B,5.1V,4.8-5.4V,50	12169-403-310
FQ1,4	0504-000118	TR-DIGITAL;KSR1003,NPN,300MW,22K-22	12159-301-780
FQ6,7,8	0504-000128	TR-DIGITAL;NPN,200MW,22K-22KOHM,SOT	11139-801-182
FQ3,5	0504-000145	TR-DIGITAL;KSR2003,PNP,300MW,22K-22	12159-301-330
FLD1,2,3,4,5,6,7,8	0601-000146	LED;ROUND,GRN,3.1MM,555NM	
FLD9,10,11,12,13,14	0601-000245	LED;ROUND,RED,3.1MM,650NM	12309-001-450
FLD15,16,17,18,19,20			

Loc No	New Parts	Description ; Specification	Ald Parts
FC32	11129-008-221	C-CHIP CERAMIC;CC 2012 COG 221J T	
FIC1,2,3	1201-000461	IC-OP AMP;4558,SOP,8P,150MIL,DUAL,2	
FR3,4	2001-000290	R-CARBON;10KOHM,5%,1 / 8W,AA,TP,1.8X3	11018-877-103
FR7,13,15A	2001-000362	R-CARBON;150OHM,5%,1 / 8W,AA,TP,1.8X3	11018-877-151
FR17A	2001-000429	R-CARBON;1KOHM,5%,1 / 8W,AA,TP,1.8X3.	11018-877-102
FR10,11,12	2001-000515	R-CARBON;220OHM,5%,1 / 8W,AA,TP,1.8X3	11018-877-221
FR1,2,FL1,2	2001-000666	R-CARBON;330OHM,5%,1 / 8W,AA,TP,1.8X3.	11018-877-330
FR8,9	2001-000734	R-CARBON;4.7KOHM,5%,1 / 8W,AA,TP,1.8X	11018-877-472
FR14	2001-000890	R-CARBON;6.8KOHM,5%,1 / 8W,AA,TP,1.8X	11018-877-682
FR25	2007-000282	R-CHIP;100KOHM,5%,1 / 10W,DA,TP,2012	11119-101-104
FR26,27,30,37	2007-000300	R-CHIP;10KOHM,5%,1 / 10W,DA,TP,2012	11119-101-103
FR33	2007-000565	R-CHIP;220KOHM,5%,1 / 10W,DA,TP,2012	11119-101-224
FR28,29	2007-000586	R-CHIP;22KOHM,5%,1 / 10W,DA,TP,2012	11119-101-223
FR40	2007-000653	R-CHIP;27KOHM,5%,1 / 10W,DA,TP,2012	11119-101-273
FR32,35	2007-000686	R-CHIP;3.3KOHM,5%,1 / 10W,DA,TP,2012	11119-101-332
FR41,42	2007-000872	R-CHIP;4.7KOHM,5%,1 / 10W,DA,TP,2012	11119-101-472
FR31,36	2007-000931	R-CHIP;470OHM,5%,1 / 10W,DA,TP,2012	11119-101-471
FR34	2007-001039	R-CHIP;56KOHM,5%,1 / 10W,DA,TP,2012	11119-101-563
FVR1,2,3	2101-001011	VR-ROTARY;20KOHM,20%,1 / 20W,SIDE	
FAC3	2202-000807	C-CERAMIC,MLC-AXIAL;22NF,+80-20%,25	11448-010-223
FC20,24,26,33	2203-000192	C-CERAMIC,CHIP;100NF,+80-20%,50V,Y5	11129-001-104
FC30	2203-000239	C-CERAMIC,CHIP;100PF,5%,50V,NPO,201	11129-009-101
FC38,39	2203-000260	C-CERAMIC,CHIP;10NF,10%,50V,X7R,201	11129-004-103
FC23	2203-000361	C-CERAMIC,CHIP;150PF,5%,50V,NPO,201	
FC21,31	2203-000444	C-CERAMIC,CHIP;1NF,10%,50V,X7R,2012	11129-004-102
FC32	2203-000595	C-CERAMIC,CHIP;220PF,5%,50V,NPO,201	11129-001-221
FC25	2203-000683	C-CERAMIC,CHIP;27PF,5%,50V,NPO,2012	11129-009-270
FC22,27	2203-000716	C-CERAMIC,CHIP;3.3NF,10%,50V,X7R,20	11129-004-332
FC3,4	2301-000437	C-FILM,PEF;39NF,10%,50V,9X12.5X4.5,	11505-714-393
FC1,2,6,7	2401-000273	C-AL;100UF,20%,16V,GP,6.3X11,2.5MM,	11608-103-104
FC5,10	2401-000754	C-AL;220NF,20%,50V,GP,4*7,1.5MM,TP	11608-156-228
FC8,9	2401-001494	C-AL;47UF,20%,16V,GP,5*11,2MM,	11608-103-473
FSW1,2,3,4,5	3404-000157	SWITCH-TACT;12V,50MA,160GF+-50GF,-,	A3018-0026
FJK1	3722-000345	JACK-PHONE;3P,6.4MM,-,AG	B3040-0048
FJK3	3722-000352	JACK-PHONE;11P,3.5MM,-,AG	B3040-0119
FJK2,4	3722-000363	JACK-PHONE;9P,6.4MM,-,AG	A3040-0115
FCW3	AH39-20018R	LEAD-CONNECTOR ASS'Y;51004,35023,15	16439-0103-00
FCW2	AH39-20522A	LEAD CONNECTOR-ASSY;-;51004,5295,6P	
FCW1	AH39-20523A	LEAD CONNECTOR-ASSY;-;51004,5295,3P	
WIRE	AH39-50001E	LEAD-FASTEN;;1007#24,220MM,RED	13059-101-251
CLIP	AH65-30013A	CLAMP-CORD;,-,DALA-2,-,	16634-517-300

### ASSY-OPTION PCB FRONT;DV7620KV,-

FD20,21,22	0401-000005	DIODE-SWITCHING;1N4148,100V,200MA,5	12169-301-290
FD23	0601-000245	LED;ROUND,RED,3.1MM,650NM	12309-001-450
FSW10,11,12,13,14,15,16,17	3404-000165	SWITCH-TACT;12V,50MA,160GF+-50GF,6X	13559-901-100
TCW2	3708-000303	CONNECTOR-FPC / FC / PIC;6P,1.25MM,STRA	B6010-0352
FCW5	3710-000123	CONNECTOR-SOCKET;10P,1R,2MM,STRAIGH	13349-168-101
TCW1	AH39-20537A	LEAD CONNECTOR-ASSY;-;51004,35023,6	

### AH90-10602B ASSY-PCB VCD;DV7620KV,CHN

AD1,2,3,4,5,6,7,8,9	0401-001002	DIODE-SWITCHING;1N4148M,100V,200MA,	12169-301-400
AD12A,12B,12E,12F			

Loc No	New Parts	Description ; Specification	Ald Parts
VZD5A	0403-000342	DIODE-ZENER;UZ3.6BSA,3.6V,3.47-3.68	12169-404-770
AZD2,3,VZD2	0403-000344	DIODE-ZENER;UZ3.9B,3.9V,3.7-4.1V,50	12169-403-490
VMD1	0407-000114	DIODE-ARRAY;DAN202K,80V,100MA,CA2-3	12169-102-320
VQ5,7	0501-000314	TR-SMALL SIGNAL;KSA812,PNP,-60V,-50	11139-801-022
AQ1,3,3A,5,7,VQ4	0501-000341	TR-SMALL SIGNAL;KSC1623,NPN,60V,50V	11139-801-032
VIC3	0502-000425	TR-POWER;2SD2395-F,NPN,60V,50V,3A,2	B4052-0087
AQ101,MQ1	0504-000128	TR-DIGITAL;NPN,200MW,22K-22KOHM,SOT	11139-801-182
AQ2,4,6	0504-000156	TR-DIGITAL;PNP,200MW,22K-22KOHM,SOT	11139-801-101
VIC3	0801-000442	IC-CMOS LOGIC;74HCU04,INVERTER,SOP,	A4004-0258
VIC5	1001-000200	IC-VIDEO SWITCH;NJM2234M,3-INPUT,SO	
AIC104	1002-000169	IC-D / A CONVERTER;PCM1710U,16BIT,SOP	B4012-0381
VIC101	1002-000172	IC-D / A CONVERTER;KDA0408,8BIT,QFP,4	A4012-0308
AIC22A	1006-000237	IC-LINE RECEIVER;74HC244,DIP,20P,15	A4004-0424
VIC1	1101-000150	IC-PROM;27C256B,32KX8BIT,DIP,28P,60	
VIC108	1105-000141	IC-DRAM;416C256,256K*16BIT,SOJ,40P,	A4000-0083
VIC106,AIC105	1105-000156	IC-DRAM;44C256C,256K*4BIT,SOJ,20P,3	A4000-0063
AIC1,2,3,4,5,5A,6,8,101	1201-000163	IC-OP AMP;4560,SOP,8P,150MIL,DUAL,1	12119-401-300
MIC101	1204-000143	IC-ENCODER;MC13077,SOP,20P,-,PLASTI	B4012-0347
VIC100	1204-000361	IC-DECODER;CL480,QFP,128P,-,PLASTIC	
AIC108	1204-000368	IC-ASP;YSS216B-F,QFP,64P,-,PLASTIC,	
VIC2	1204-000378	IC-OSD PROCESSOR;KS5514B,DIP,24P,30	
AR120	2007-000001	R-CHIP;68KOHM,5%,1 / 10W,DA,TP,2012	11119-101-683
MR9,10	2007-000221	R-CHIP;1.2KOHM,5%,1 / 10W,DA,TP,2012	11119-101-122
VR67A	2007-000267	R-CHIP;1.8KOHM,5%,1 / 10W,DA,TP,2012	11119-101-182
AR61,32,54,16,118A,35,18	2007-000282	R-CHIP;100KOHM,5%,1 / 10W,DA,TP,2012	11119-101-104
AR17,30,27E,27F,VR48			
VR139,101,102,100,AR133,134	2007-000290	R-CHIP;100OHM,5%,1 / 10W,DA,TP,2012	11119-101-101
AR131			
AR64A,62A,64B,62B,27C			
VR4,20,21,22,23,11,5			
VR30,31,32,33,34,6,AR132			
VR7,8,9,1,12,2,3,10			
AR106,107,110	2007-000300	R-CHIP;10KOHM,5%,1 / 10W,DA,TP,2012	11119-101-103
AR3,102,40,67,103,50			
AR9,47,104,101,104,66,MR1,3			
AR31,118,11,13,5,12,6,37,36			
AR38,VR14,15,AC11,MR4,2			
AR51,46,115,VR70	2007-000355	R-CHIP;12KOHM,5%,1 / 10W,DA,TP,2012	11119-101-123
CR5D,5E,5F,5G,5H,5I	2007-000449	R-CHIP;180OHM,5%,1 / 10W,DA,TP,2012	11119-101-181
AR45,49	2007-000457	R-CHIP;18KOHM,5%,1 / 10W,DA,TP,2012	11119-101-183
VR138,VJW100,VQ300	2007-000468	R-CHIP;1KOHM,5%,1 / 10W,DA,TP,2012	11119-101-102
TPR1,AR57,42,43A,29,27A,41			
AR47,118A,26,56,CR5C,5B,5A			
VR66A,13,66,35	2007-000477	R-CHIP;1MOHM,5%,1 / 10W,DA,TP,2012	11119-101-105
AR33A,28,VR75	2007-000565	R-CHIP;220KOHM,5%,1 / 10W,DA,TP,2012	11119-101-224
VR88A,88,87,87A,CR5D,5E,5F	2007-000572	R-CHIP;220OHM,5%,1 / 10W,DA,TP,2012	11119-101-221
CR5G,5H,5I,MR11			
AR27,33	2007-000586	R-CHIP;22KOHM,5%,1 / 10W,DA,TP,2012	11119-101-223
AR1A,1B	2007-000593	R-CHIP;22OHM,5%,1 / 10W,DA,TP,2012	11119-101-220
AR52,58	2007-000615	R-CHIP;24KOHM,5%,1 / 10W,DA,TP,2012	A1020-0067
AR39	2007-000635	R-CHIP;270KOHM,5%,1 / 10W,DA,TP,2012	11119-101-274
AR52,58	2007-000653	R-CHIP;27KOHM,5%,1 / 10W,DA,TP,2012	11119-101-273
VR36	2007-000686	R-CHIP;3.3KOHM,5%,1 / 10W,DA,TP,2012	11119-101-332
AR116,119,117,2,AC7,8	2007-000774	R-CHIP;33KOHM,5%,1 / 10W,DA,TP,2012	11119-101-333



Loc No	New Parts	Description ; Specification	Ald Parts
AR56A	2007-000778	R-CHIP;330KOHM,5%,1 / 10W,DA,TP,2012	11119-101-334
AC110	2007-000872	R-CHIP;4.7KOHM,5%,1 / 10W,DA,TP,2012	11119-101-472
AR25,129,23,24,VR145,144			
MR8	2007-000931	R-CHIP;470OHM,5%,1 / 10W,DA,TP,2012	11119-101-471
AR34,43,105	2007-000941	R-CHIP;47KOHM,5%,1 / 10W,DA,TP,2012	11119-101-473
VC114,VR89	2007-000981	R-CHIP;5.6KOHM,5%,1 / 10W,DA,TP,2012	11119-101-562
VR20A,21A,23A	2007-001039	R-CHIP;56KOHM,5%,1 / 10W,DA,TP,2012	11119-101-563
AR135	2007-001118	R-CHIP;680OHM,5%,1 / 10W,DA,TP,2012	11119-101-681
VR68,72	2007-001166	R-CHIP;75OHM,5%,1 / 10W,DA,TP,2012	A1020-0121
AR111	2007-001195	R-CHIP;820KOHM,5%,1 / 10W,DA,TP,2012	11119-101-824
MR7	2007-001201	R-CHIP;820OHM,5%,1 / 10W,DA,TP,2012	11119-101-821
AR127,128,130,55,60,122	2007-001239	R-CHIP;910OHM,5%,1 / 10W,DA,TP,2012	A1020-0132
AR123,125			
MC7,8,9,AC5A	2203-000206	C-CERAMIC,CHIP;100NF,10%,50V,X7R,20	11129-014-104
VC18,19,20,23,27,37,37A,33			
VC21,22,25,1,2,AC118A,18A,25A			
AC25B,43A,9,21,1A,4A,4B			
AC7C,43A,MC3			
MC4,5,12,1,2,AC17,VC71	2203-000260	C-CERAMIC,CHIP;10NF,10%,50V,X7R,201	11129-004-103
VC3,4	2203-000295	C-CERAMIC,CHIP;10PF,5%,50V,NPO,2012	11129-009-100
AC107,108	2203-000335	C-CERAMIC,CHIP;12PF,5%,50V,NPO,2012	11129-001-120
MC110	2203-000361	C-CERAMIC,CHIP;150PF,5%,50V,NPO,201	
MC6	2203-000408	C-CERAMIC,CHIP;180PF,5%,50V,NPO,201	11129-008-181
VC29,30	2203-000417	C-CERAMIC,CHIP;18NF,10%,50V,X7R,201	11129-004-183
MC13,AC18,VC32	2203-000444	C-CERAMIC,CHIP;1NF,10%,50V,X7R,2012	11129-004-102
AC16	2203-000533	C-CERAMIC,CHIP;2.7NF,10%,50V,X7R,20	11129-004-272
VC51	2203-000609	C-CERAMIC,CHIP;22NF,10%,50V,X7R,201	11129-004-223
AR124,AC13,113	2203-000716	C-CERAMIC,CHIP;3.3NF,10%,50V,X7R,20	11129-004-332
AC20	2203-000749	C-CERAMIC,CHIP;30PF,5%,50V,NPO,2012	11129-009-300
AC101	2203-000784	C-CERAMIC,CHIP;330PF,5%,50V,NPO,201	11129-001-331
AC15	2203-000839	C-CERAMIC,CHIP;390PF,5%,50V,NPO,201	11129-008-391
AC105,MC11	2203-000953	C-CERAMIC,CHIP;470PF,5%,50V,NPO,201	11129-004-471
AC19	2203-001105	C-CERAMIC,CHIP;6.8NF,10%,50V,X7R,20	11129-004-682
VC35,36	2203-001158	C-CERAMIC,CHIP;68PF,5%,50V,NPO,2012	11129-001-680
AC22A	2203-001214	C-CERAMIC,CHIP;8.2NF,10%,50V,X7R,20	11129-004-822
AMC1,2,3	2301-000426	C-FILM,PEF;3.9NF,10%,50V,5.5X12X3,3	11505-714-392
AE5,6,18,VCE1,6	2401-000243	C-AL;100UF,20%,10V,GP,6.3*5,2.5MM,T	11608-152-101
VZD22	2401-000273	C-AL;100UF,20%,16V,GP,6.3X11,2.5MM,	11608-103-104
AE9,17,VCE5	2401-000407	C-AL;10UF,20%,16V,GP,3.5*5,-,TP	11608-173-100
AE10,12,16,19	2401-000588	C-AL;1UF,20%,50V,GP,3*5,1MM,TP	11608-106-109
AE20	2401-000650	C-AL;2.2UF,20%,50V,GP,3*5,1MM,TP	11608-156-229
VCE23,24,30	2401-000796	C-AL;220UF,20%,16V,GP,10*9,-,TP	11608-173-221
AE14,15,VCE8	2401-000909	C-AL;22UF,20%,16V,GP,5*5,2MM,TP	11608-153-220
AE3,4,8,11,VCE4	2401-001238	C-AL;4.7UF,20%,25V,GP,3*5,1MM,TP	11608-154-479
VCE3	2401-001324	C-AL;470NF,20%,50V,GP,3*5,1MM,TP	11608-106-478
AE1,2,7,13,5A,VCE2,7	2401-001502	C-AL;47UF,20%,16V,GP,6.3*5,2.5MM,TP	11608-153-470
AT2,ATC1,3,4,VCT1,AC17B	2404-000190	C-TA,CHIP;22UF,20%,16V,-,5832,-,TP	11155-306-220
AL5A,5B,VL2	2701-000114	INDUCTOR-AXIAL;10UH,10%,2.5X3.4MM	12429-411-100
	2701-000149	INDUCTOR-AXIAL;2.7UH,10%,2.5X3.4MM	A1130-0038
VL3,ML1,AL1,2	2703-000001	INDUCTOR-SMD;10UH,10%,2.5X3.2X2MM	11176-600-050
	2801-000155	CRYSTAL-UNIT;14.31818MHZ,50PPM,28-A	A1280-0199
VXC5A	2801-000185	CRYSTAL-UNIT;17.734475MHZ,50PPM,28-	A1280-0122
VXC1	2801-000286	CRYSTAL-UNIT;40.5MHZ,50PPM,28-AAM,2	A1280-0197

Loc No	New Parts	Description ; Specification	Ald Parts
VXC3	2802-000108	RESONATOR-CERAMIC;12MHZ,0.5%,BK,10.	14539-503-130
VL100,VL2	3301-000325	CORE-FERRITE BEAD;AB,3.2X2.5X1.3MM,	B1144-0034
VIC1	3704-000241	SOCKET-IC;28P,DIP,SN,2.54MM	A3045-0018
VCW4	3711-000588	CONNECTOR-HEADER;BOX,10P,1R,2.5MM,S	13349-103-103
	3711-000820	CONNECTOR-HEADER;BOX,2P,1R,2.5MM,ST	13349-512-561
VCW6	3711-000827	CONNECTOR-HEADER;BOX,2P,1R,2MM,STRA	13349-119-020
VCW2	3711-001018	CONNECTOR-HEADER;BOX,5P,1R,2MM,STRA	13349-119-050
VCW5A	3711-001062	CONNECTOR-HEADER;BOX,6P,1R,2MM,STRA	13349-119-060
VCW1,5	3711-001102	CONNECTOR-HEADER;BOX,7P,1R,2MM,STRA	13349-119-070
VIC102	AH09-10060X	IC-MICOM MASKING;LC865032A-XXXX,64P	
AIC106,103	AH14-10004G	IC;NJU4053BM,SOP,	
PIC1	B4004-0337	IC-LOGIC;TC4W53F-TE12L SOP 8P	
VJW2,4,6,8	2007-000290	R-CHIP;100OHM,5%,1/10W,DA,TP,2012	11119-101-101
VR40,40A	2007-000477	R-CHIP;1MOHM,5%,1/10W,DA,TP,2012	11119-101-105
VR68,72	2007-001166	R-CHIP;75OHM,5%,1/10W,DA,TP,2012	A1020-0121
VC14,15	2203-000429	C-CERAMIC,CHIP;18PF,5%,50V,NPO,2012	11129-008-180
VJ1	3722-000390	JACK-RCA;9P/6C,3.5MM,#16~22,SN	A3040-0234
CLIP	AH65-30013A	CLAMP-CORD;,-,DALA-2,-,	16634-517-300

### ASSY PCB SMPS ; DV7620KV,

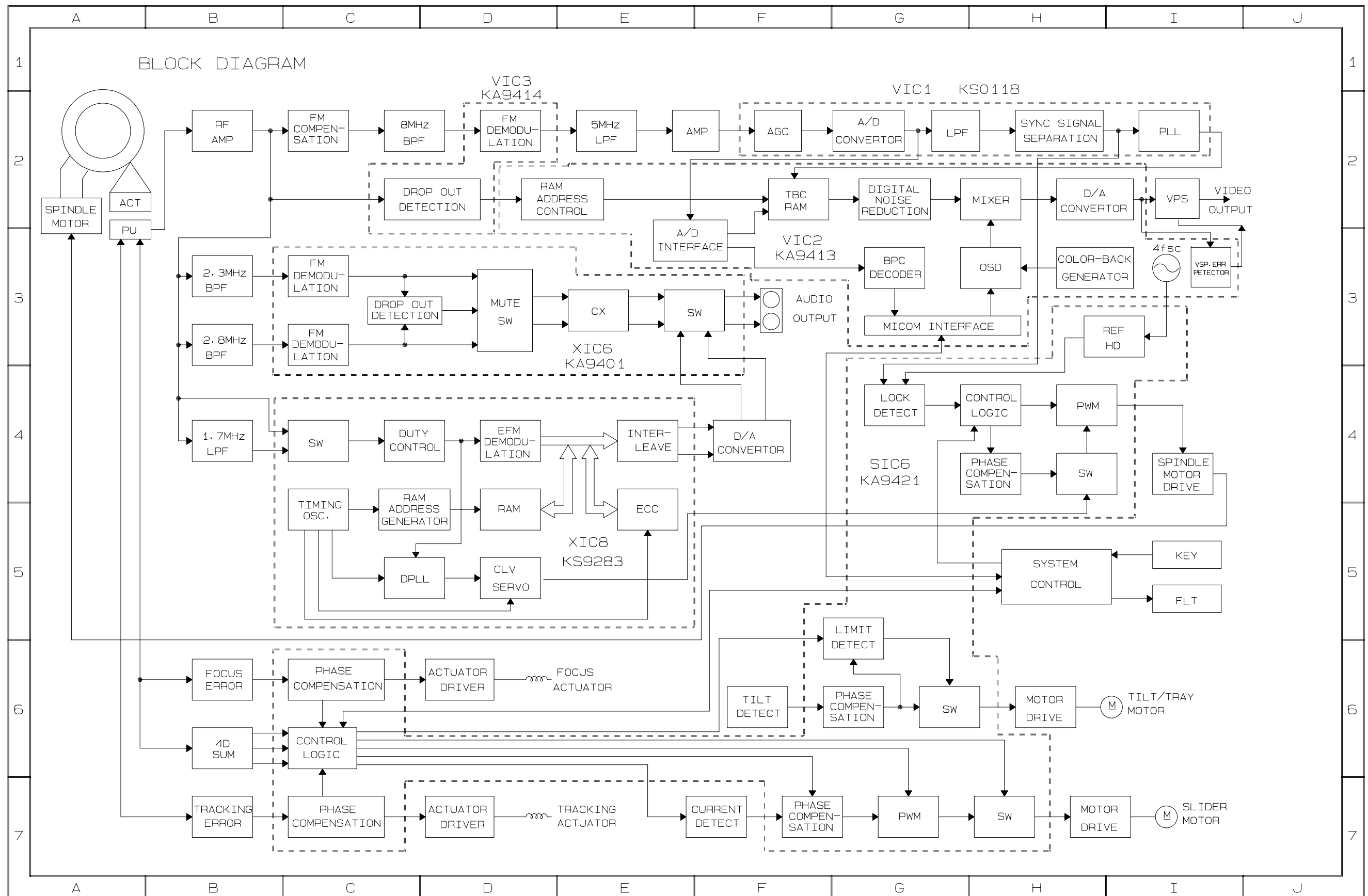
#### AH90-10603B ASSY-SMPS;DV7620KV,CHN

PD4,13,14,15,16	0401-000005	DIODE-SWITCHING;1N4148,100V,200MA,5	12169-301-290
PD1	0402-000104	DIODE-BRIDGE;D3SBA60,600V,4A,-	B4104-0121
PD2	0402-000378	DIODE-RECTIFIER;EG01C,1000V,500MA,D	B4102-0006
PD3,5,6	0402-000382	DIODE-RECTIFIER;ERA18-04V1,400V,800	B4102-0047
PD10	0402-000385	DIODE-RECTIFIER;S2L20U-4000,200V,1.	B4102-0088
PZD4	0403-000341	DIODE-ZENER;UZ3.3B,3.3V,3.1-3.5V,50	12169-403-660
PZD5	0403-000345	DIODE-ZENER;UZ3.9BSB,3.9V,3.92-4.14	12169-403-860
PZD3	0403-000354	DIODE-ZENER;UZ5.1B,5.1V,4.8-5.4V,50	12169-403-310
PZD1,2	0403-000384	DIODE-ZENER;UZP20B,20V,18.9-21.1V,1	12169-403-930
PD7,8	0404-000127	DIODE-SCHOTTKY;D5S9M-4000,90V,5A,TO	B4112-0032
PQ1,9,10,17	0501-000167	TR-SMALL SIGNAL;2SA933,PNP,-50V,-40	12149-102-350
PQ3,4	0501-000369	TR-SMALL SIGNAL;KSC2331,NPN,80V,60V	12149-301-910
PQ2,11,12	0501-000637	TR-SMALL SIGNAL;2SC1740S,NPN,50V,40	12139-307-170
PQ14,16,5,6	0502-000424	TR-POWER;2SB1566-F,PNP,-60V,-50V,-3	B4052-0086
PQ13,15	0502-000425	TR-POWER;2SD2395-F,NPN,60V,50V,3A,2	B4052-0087
PQ8,7	0504-000117	TR-DIGITAL;KSR1002,NPN,300MW,10K-10	12159-301-840
PQ18	0504-000144	TR-DIGITAL;KSR2002,PNP,300MW,10K-10	12159-301-340
PFET1	0505-000238	FET-SILICIN;2SK903M,N,800V,3A,4OHM,	B4054-0052
PIC2	0604-000119	PHOTO-COUPLER;TR,200-400%,200MW,DIL	B4161-0027
PIC6,7	1201-000191	IC-OP AMP;4558,DIP,8P,300MIL,DUAL,2	12119-401-170
PIC5	1203-000122	IC-NEGA.FIXED REG.;7908,TO-220,3P,-	12119-601-840
PIC4	1203-000294	IC-POS.FIXED REG.;7808,TO-220,3P,-	12109-401-730
PIC3	1203-000340	IC-VOL. REFERENCE;431,TO-92,3P,-,PL	A4008-0757
PD12,17,18,19,20,21,22	12169-201-090	DIODE-RECTIFIER;1N 4002,TAPE	
PZNR1	1405-000147	VARISTOR;470V,4500A,17X12MM,BK	
PR39	2001-000003	R-CARBON;330OHM,5%,1/8W,AA,TP,1.8X3	11018-877-331
PR12,13	2001-000019	R-CARBON(S);10OHM,5%,1/2W,AA,TP,2.4	11018-377-100
PR71	2001-000111	R-CARBON;150OHM,5%,1/4W,AA,TP,2.4X6	11018-277-151
PR18,33,34	2001-000290	R-CARBON;10KOHM,5%,1/8W,AA,TP,1.8X3	11018-877-103
PR14	2001-000362	R-CARBON;150OHM,5%,1/8W,AA,TP,1.8X3	11018-877-151
PR9,79	2001-000405	R-CARBON;180OHM,5%,1/8W,AA,TP,1.8X3	
PR44,47,49,21,78	2001-000429	R-CARBON;1KOHM,5%,1/8W,AA,TP,1.8X3.	11018-877-102

Loc No	New Parts	Description ; Specification	Ald Parts
PR76	2001-000435	R-CARBON;1MOHM,5%,1 / 8W,AA,TP,1.8X3.	11018-877-105
PR40	2001-000563	R-CARBON;27KOHM,5%,1 / 8W,AA,TP,1.8X3	11018-877-273
PR66	2001-000660	R-CARBON;33OHM,5%,1 / 8W,AA,TP,1.8X3.	11018-877-333
PR64,65	2001-000812	R-CARBON;5.6KOHM,5%,1 / 8W,AA,TP,1.8X	11018-877-562
PR23	2001-000864	R-CARBON;56KOHM,5%,1 / 8W,AA,TP,1.8X3	11018-877-563
PR54,55,56,57	2001-000869	R-CARBON;56OHM,5%,1 / 8W,AA,TP,1.8X3.	11018-877-560
PR73	2001-001055	R-CARBON(S);1.8KOHM,5%,1 / 2W,AA,TP,2	11018-377-182
PR74	2001-001093	R-CARBON(S);2.2KOHM,5%,1 / 2W,AA,TP,2	11018-377-222
PR52,53,58,59,60,61,62,63	2001-001192	R-CARBON(S);820OHM,5%,1 / 2W,AA,TP,2.	11018-377-821
PR35,38	2001-001195	R-CARBON(S);820OHM,5%,1 / 2W,AA,TP,2.4	11018-377-820
PR6,7	2003-000273	R-METAL OXIDE;33KOHM,5%,2W,AA,TP,6X	
PR50,51	2003-000542	R-METAL OXIDE(S);1OHM,5%,1W,AA,TP,3	11048-477-109
PR25,26	2004-000151	R-METAL;1.5KOHM,1%,1 / 8W,AA,TP,1.8X3	A1000-0517
PR29,30,46,48	2004-000218	R-METAL;10KOHM,1%,1 / 8W,AA,TP,1.8X3.	A1000-0505
PR43,45	2004-000285	R-METAL;12KOHM,1%,1 / 8W,AA,TP,1.8X3.	A1006-0829
PR16	2004-001126	R-METAL;6.2KOHM,1%,1 / 8W,AA,TP,1.8X3	A1000-0566
PR31,32,36,37,41,42	2004-001880	R-METAL;4.7KOHM,1%,1 / 8W,AA,TP,1.8X3	A1006-0570
PR8	2005-000104	R-WIRE WOUND;0.1OHM,5%,2W,AA,TP,6.5	A1012-0038
PR4,75	2006-000268	R-CEMENT;2.7OHM,5%,2W,CA,BK,6.4X27X	A1014-0011
PC3,5,6,9A,10A	2201-000808	C-CERAMIC,DISC;2.2NF,10%,500V,Y5P,1	
PC13	2201-000557	C-CERAMIC,DISC;470PF,10%,50V,SL,10.	11407-018-471
PC7	2301-000140	C-FILM,PEF;10NF,10%,630V,16.5X9.5X5	
PC1,2	2301-000371	C-FILM,PEF;100NF,1%,250V,-,-,TP	A1102-0367
PC15,19,21,17	2301-000382	C-FILM,PEF;10NF,5%,50V,6X12X3.5,4MM	11505-713-103
PC12	2301-000411	C-FILM,PEF;220NF,5%,50V,-,-,BK	11509-121-300
PC16	2301-000420	C-FILM,PEF;27NF,10%,50V,8X12X4,4MM,	11505-714-273
PC23,24,25,26,27,28	2301-000450	C-FILM,PEF;47NF,10%,50V,9.5X12.5X5,	11505-714-473
PC11	2301-000465	C-FILM,PEF;6.8NF,5%,50V,6X12X3,3.5M	11505-713-682
PC20,22	2303-000312	C-FILM,PPF;100NF,1%,50V,7.5*12.5*3.	A1102-0164
PCE17	2401-000415	C-AL;10UF,20%,16V,GP,5*11,2MM,	11608-103-103
PCE25,26,27	2401-000475	C-AL;10UF,20%,50V,GP,5*11,2MM,	11608-106-100
PCE2	2401-000658	C-AL;2.2UF,20%,50V,GP,5*11,2MM,	11608-106-222
PCE20,21	2401-001351	C-AL;470UF,20%,10V,GP,8X11.5,-,	11608-102-471
PCE22	2401-001465	C-AL;47UF,20%,10V,GP,5*11,2MM,	11608-102-473
PCE11,PCE4	2401-001882	C-AL;1000UF,20%,16V,LZ,10X20,-,	A1104-0751
PCE5,6	2401-001884	C-AL;1000UF,20%,25V,LZ,12.5X25,-,	A1104-0753
PCE7	2401-001902	C-AL;100UF,20%,50V,GP,11X6,-,	A1104-0750
PCE8,9	2401-000722	C-AL;2200UF,20%,25V,GP,12.5X25,-,	
PCE13,14,16,23,23A	2401-001969	C-AL;470UF,20%,25V,GP,10X12MM,5MM,T	11608-104-471
PCE3	2401-001981	C-AL;47UF,20%,50V,GP,11X6,-,	A1104-0757
PF1	3602-000147	FUSE-CLIP;250V,7.5A,30MOHM	13164-101-913
PCW1	3711-000190	CONNECTOR-HEADER;1WALL,2P,1R,7.92MM	13349-156-020
	3711-000820	CONNECTOR-HEADER;BOX,2P,1R,2.5MM,ST	13349-512-561
PR10,11	A1004-0463	R-METAL OXIDE;RS 1 T 124-J	
PIC1	AC14-12014M	IC-S / W REGU;FA5311,DIP,STICK	
PL2,3,7	AC27-92001M	INDUCTOR;70UH-M RT BFS3565R2F,-,-,-	
PT1	AH26-20020B	TRANS-SWITCHING;220V,50HZ,100VA	
PL4,5	AH27-10001R	COIL-CHOKE;10UH,K,Q80,-,-,-,-,-	A1130-0077
PL1	AH29-30001B	FILTER-LINE;20MH,-,	A1151-0001
PL6	AH29-30001C	FILTER-LINE;12MH-18MH,500UH,	A1151-0025

Loc No	New Parts	Description ; Specification	Ald Parts
<b>ASSY-OPTION PCB SMPS;DV7620KV,CHN</b>			
PD9	0404-000128	DIODE-SCHOTTKY;FMB-G14L,45V,5A,TO-2	B4112-0021
PCE1	2401-001901	C-AL;100UF,20%,400V,-,22X30,-,	A1104-0756
PCE10,12,15	2401-001924	C-AL;2200UF,20%,16V,LZ,22X30,-,	A1104-0755
FUSE	3601-000170	FUSE-FERRULE;250V,1.6A,TIME LAG,GLA	14709-241-240
PCW4	3711-001199	CONNECTOR-HEADER;NOWALL,10P,1R,2.0M	13349-169-101
POWER-CORD	AH39-10002Y	POWER-CORD;CP2,KLCE-2F,2.15M,5239,V	A6006-0293
PCW3	AH39-20018Q	LEAD-CONNECTOR ASS'Y;5264,51088,13P	16439-0102-00
PCW2	AH39-20018S	LEAD-CONNECTOR ASS'Y;5264,51088,18P	16439-0104-00

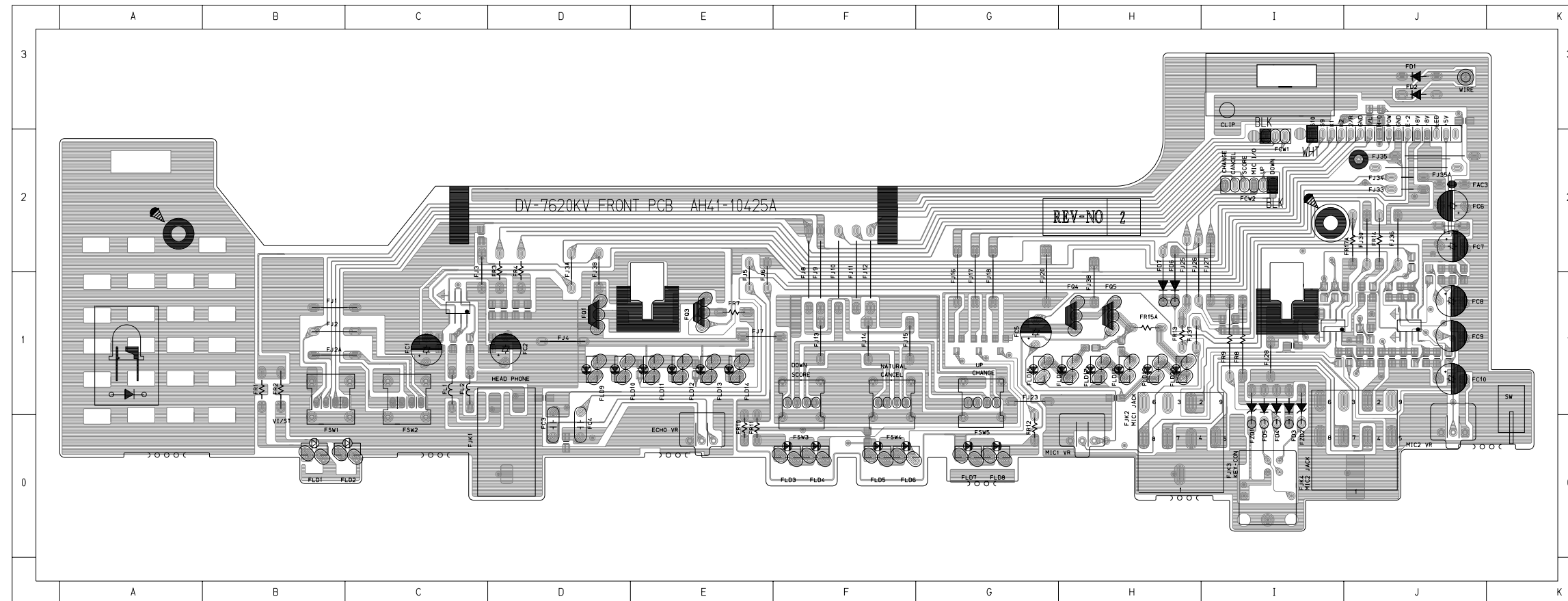
# 7. Block Diagram



# 8.PCB Diagram

## 8-1 Front Top

8-1-1 Top View : DV7620KV(Model name)



\*\*\* RESISTOR \*\*\*

FR1 (B1) FR2 (B1)  
FR10 (E0) FR22 (F2)  
FR11 (E0) FR3 (D1)  
FR12 (G0) FR4 (D1)  
FR13 (H1) FR7 (E1)  
FR14 (J2) FR8 (I1)  
FR15A (H1) FR9 (I1)  
FR16 (I1) FRR1 (I1)  
FR17 (I1) FRR3 (E1)  
FR17A (J2) RD1 (F2)  
FR18 (J2)

\*\*\* CONDENSER \*\*\*

FAC3 (J2)  
FC1 (C1)  
FC10 (J1)  
FC2 (D1)  
FC3 (D0)  
FC4 (D0)  
FC5 (G1)  
FC6 (J2)  
FC7 (J2)  
FC8 (J1)  
FC9 (J1)

\*\*\* DIODE \*\*\*

FD1 (J3)  
FD2 (J3)  
FD3 (F2)  
FD3 (I0)  
FD4 (I0)  
FD5 (I0)  
FD6 (H1)  
FD7 (H1)  
FZD1 (I0)  
FZD1 (I0)  
FZD2 (I0)  
FZD2 (I0)

\*\*\* TR \*\*\*

FQ1 (D1)  
FQ3 (E1)  
FQ4 (H1)  
FQ5 (H1)

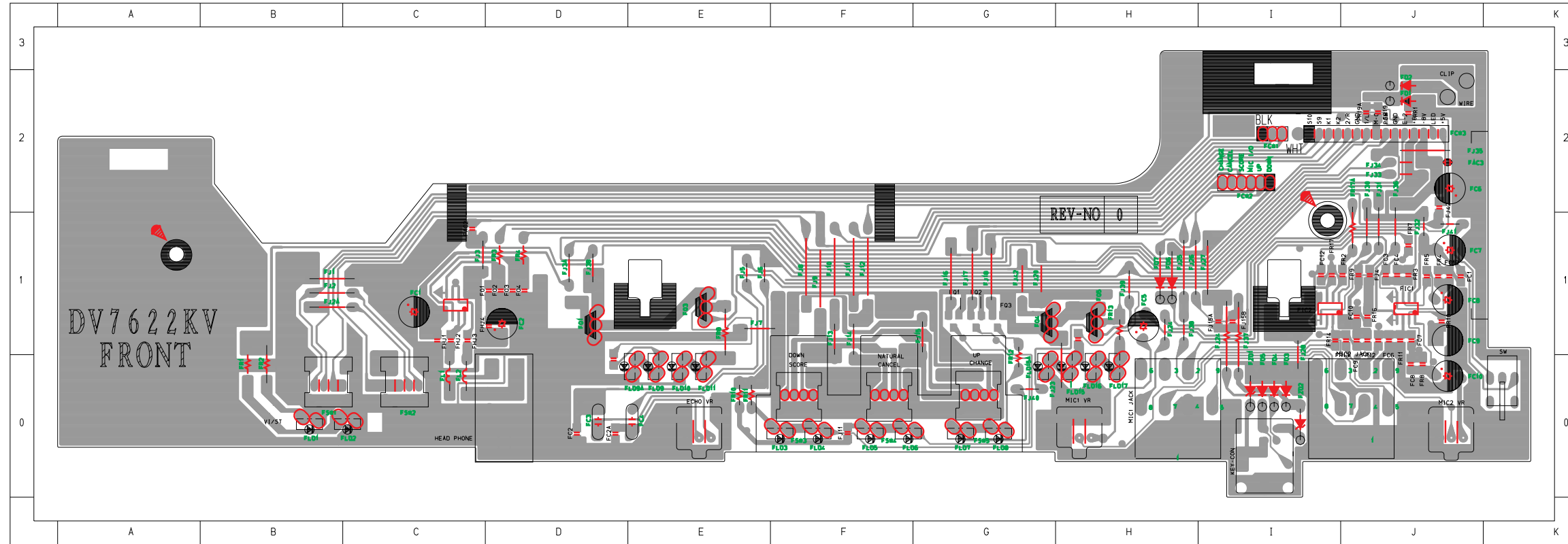
\*\*\* IC&WAFER \*\*\*

FCW1 (I2)  
FCW2 (I2)  
FCW3 (J2)  
FCW6 (F2)  
FC20 (J1)  
FC21 (J1)  
FC22 (J1)  
FC23 (J1)  
FC24 (J1)  
FC25 (I1)  
FC26 (J1)  
FC27 (J1)  
FC30 (J1)  
FC31 (J1)  
FC32 (J1)  
FC33 (I1)  
FC34 (D1)  
FC36 (D1)  
FC38 (C2)  
FC39 (D1)  
FC41 (D0)  
FC42 (D1)  
FIC1 (J1)

\*\*\* CHIP \*\*\*

FR26A (H1) FIC2 (I1)  
FR26B (H1) FIC3 (C1)  
FR26C (H1) FJ40 (J3)  
FR26D (E1) FJ41 (J3)  
FR26E (E1) FJ42 (J2)  
FR27 (I1) FJ43 (J1)  
FR28 (D1) FJ44 (J1)  
FR29 (D1) FJ45 (J1)  
FR30 (J1) FJ46 (C1)  
FR31 (J1) FJ47 (C1)  
FR32 (J1) FJ48 (C1)  
FR33 (I1) FJ50 (F0)  
FR34 (J1) FQ6 (G1)  
FR35 (J1) FQ7 (G1)  
FR36 (J1) FQ8 (G1)  
FR37 (J1) FR25 (J3)  
FR40 (J1) FR26 (I1)  
FR41 (J1)  
FR42 (I1)

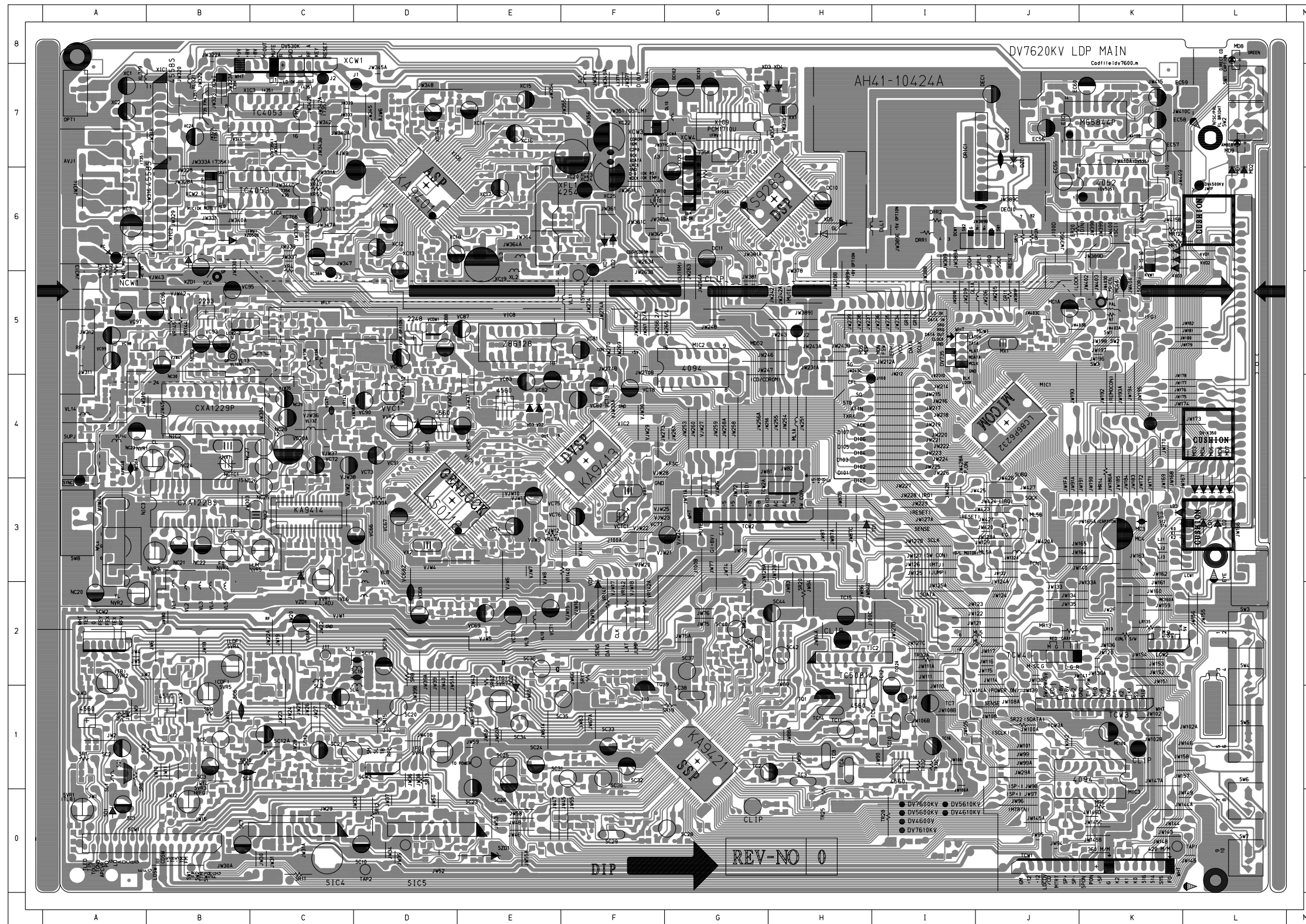
8-1-2 Top View : DV7622KV(Model name)



*** RESISTOR ***	*** CONDENSER ***	*** DIODE ***	*** TR ***	*** IC&WAFER ***	*** CHIP ***
FJ24 (I0)	FAC3 (J2)	FD1 (J2)	FQ1 (D1)	FCW1 (I2)	* (J1)
FJ37 (I0)	FC1 (C1)	FD2 (J2)	FQ3 (E1)	FCW2 (I2)	FAC2 (C1)
FR1 (B0)	FC10 (J0)	FD3 (I0)	FQ4 (G1)	FCW3 (J2)	FC1 (J1)
FR10 (E0)	FC2 (D1)	FD3 (F1)	FQ5 (H1)	FCW6 (F1)	FIC2 (I1)
FR11 (E0)	FC3 (D0)	FD4 (I0)			FJ11 (F0)
FR12 (G0)	FC4 (E0)	FD5 (I0)			FJ15A (I1)
FR13 (H1)	FC5 (H1)	FD6 (H1)			FJ15B (I1)
FR16 (F1)	FC6 (J2)	FD7 (H1)			FJ4 (J1)
FR17 (F1)	FC7 (J1)	FZD1 (I0)			FJ42 (J2)
FR17A (J1)	FC8 (J1)	FZD1 (F1)			F01 (D1)
FR18 (F1)	FC9 (J1)	FZD2 (I0)			F02 (D1)
FR2 (B0)		FZD2 (F1)			F03 (D1)
FR22 (F1)					F04 (D1)
FR3 (D1)					F01 (G1)
FR4 (D1)					F01 (G1)
FR8 (E0)					F02 (G1)
FRR1 (F1)					F02 (G1)
FRR3 (F1)					FQ3 (G1)
RD1 (F1)					FQ3 (G1)
					FR10 (J1)
					FR11 (J1)
					FR12 (J1)
					FR13 (J1)
					FR14 (I1)
					FR16 (J1)
					FR17 (I1)
					FR2 (J1)
					FR3 (J1)
					FR4 (J1)
					FR5 (J1)
					FR7 (J1)
					FR8 (J0)
					FR9 (J1)



# 8-2 Main



*** RESISTOR ***				
DR10 (F6)	SR22 (J11)	TC8 (H1)	VC89 (D5)	XC2A (B7)
DRR1 (I6)	SR5 (A1)	VC47Y (C4)	VC90 (D4)	XC3 (A6)
DRR2 (I6)	SR6 (A0)	VC65A (C2)	VC91 (D4)	XC38A (C6)
ER28 (J6)	SR8 (D1)	VC66 (D3)	VC93 (B5)	XC4 (B6)
GR1 (J5)	SR7 (E1)	VC67 (D3)	VC95 (B5)	XC76A (D7)
GR2 (J6)	SR8 (E1)	VC68 (D2)	VC96 (B5)	XC76B (C6)
GR12A (J6)	SR9 (B1)	VC68Z (D2)	VC97 (A5)	XX1 (H7)
LR10 (F6)	TR25 (H0)	VC69 (E2)	VC98 (A5)	
LR13 (K2)	TR28 (I1)	VC70 (E2)	VC99 (A5)	
LR135 (K2)	TR32 (I1)	VC70A (C4)	VX1 (F3)	
MR12A (K6)	TR32A (I2)	VC71 (E2)	VX2 (D3)	
MR13 (J2)	TR32C (I1)	VC72 (C4)	XC1 (A7)	
MR13A (K6)	VR139A (D3)	VC73 (C4)	XC11 (D6)	
MR14 (K3)	VR140 (F2)	VC74 (E3)	XC12 (D6)	
MR6 (K9)	VR141 (F2)	VC75 (E3)	XC13 (D6)	
PRAL (K5)	VR142 (F2)	VC76 (F3)	XC14 (E7)	
SR1 (A1)	VR142A (F2)	VC77 (G3)	XC15 (E7)	
SR10 (B1)	VR143 (C4)	VC78 (F4)	XC16 (E7)	
SR11 (C0)	VR144 (B5)	VC79 (F4)	XC17 (E5)	
SR12 (D0)	VR145 (B5)	VC80 (F4)	XC18 (D6)	
SR13 (D0)	VR146 (A5)	VC81 (F5)	XC19 (E5)	
SR15 (D1)	VR147 (A5)	VC82 (E4)	XC2 (A7)	
SR17 (F1)	VR17A (E3)	VC83 (E4)	XC20 (F7)	
SR19 (F1)	XR150A (G5)	VC85 (E4)	XC22 (F7)	
SR2 (B1)	XR (C6)	VC86 (D4)	XC23 (F7)	
SR20 (H2)	XR47 (C6)	VC87 (E5)	XC24 (F7)	
SR21 (G2)	XR50 (C6)	VC88 (D5)	XC25 (F6)	

*** CONDENSER ***			
DC10 (H6)	NC26 (C4)	SC30 (F1)	TC4 (H1)
DC102 (G7)	NC27 (C4)	SC31 (E1)	TC5 (I1)
DC103 (G7)	NC28 (C4)	SC32 (F1)	
DC104 (F7)	NC29 (C4)	SC33 (F1)	
DC11 (G6)	NC30 (B5)	SC34 (E1)	
DC13 (G7)	NC30A (A3)	SC35 (F1)	
DE1 (J7)	NC32 (B5)	SC36 (E2)	
DE10 (I8)	NX1 (B4)	SC37 (G2)	
DE2 (J6)	NX2 (C3)	SC38 (G1)	
EC55 (J6)	SC1 (A0)	SC4 (B1)	
EC56 (J7)	SC10 (D0)	SC40 (G2)	
EC57 (K7)	SC12 (C1)	SC41 (G2)	
EC58 (K7)	SC12A (C1)	SC42 (H2)	
EC59 (K7)	SC13 (C1)	SC44 (H2)	
EC60 (K7)	SC17 (C2)	SC5 (B1)	
MC100 (K1)	SC18 (C2)	SC6 (B1)	
MC1A (J5)	SC19 (D2)	SC7 (B1)	
MC3 (K3)	SC2 (A1)	TC10 (I1)	
MC4 (K3)	SC20 (D1)	TC11 (H1)	
MC4A (K5)	SC21 (C1)	TC12 (I1)	
Mx1 (J5)	SC23 (E1)	TC12A (I2)	
NC20 (A2)	SC24 (E1)	TC14 (H1)	
NC21 (B3)	SC25 (E1)	TC15 (H2)	
NC22 (B3)	SC26 (E1)	TC16 (I1)	
NC23 (A4)	SC28 (F0)	TC2 (G1)	
NC24 (B4)	SC29 (F0)	TC3 (H1)	
NC25 (C3)	SC3 (B1)		

*** DIODE ***		*** TR ***	
DZ01 (J6)	XD5 (H6)	S01 (A1)	
GL1 (H6)	XZ01 (B6)	T01 (H1)	
KV01 (K6)	XZ050B (B6)	TQ39 (F1)	
KV02 (K6)			
KV03 (K6)			
L01 (L3)			
L02 (L3)			
L03 (K3)			
M01 (L7)			
M02 (L7)			
M03 (L3)			
M04 (L3)			
M05 (L3)			
M06 (L3)			
M07 (L3)			
S01 (A1)			
S02 (E1)			
SZ01 (E0)			
T01 (H3)			
V01 (F3)			
V02 (E4)			
V03 (E4)			
VZ01 (C3)			
VZ02 (D4)			
X01 (F6)			
X02 (F6)			
X03 (G7)			
X04 (H7)			

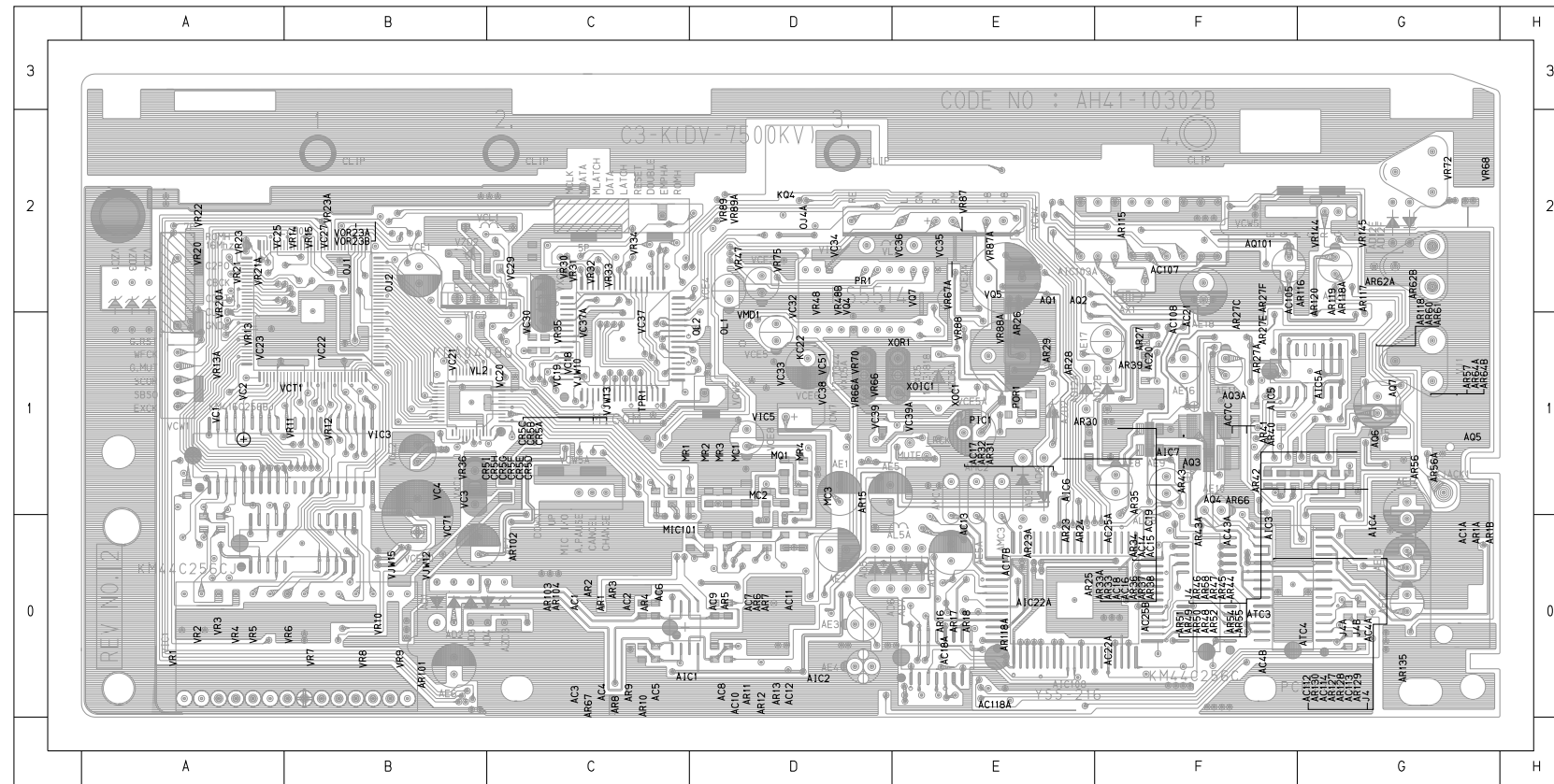
  

*** IC/WAFER ***	
DCW1 (J6)	
DRIC1 (J7)	
EIC1 (J7)	
KW1 (K6)	
LCW2 (K2)	
LCW2-2 (B5)	
MCW2 (F2)	
MIC3 (K1)	
NCW1 (A5)	
SCW2 (A2)	
SCW3 (D1)	
SIC4 (C0)	
SIC5 (D0)	
TCW1 (K0)	
TCW2 (G3)	
TCW2A (H3)	
TCW3 (K1)	
TCW4 (J2)	
XCW1 (B7)	
XCW1 (C7)	
XCW2 (B6)	
XCW4 (F7)	
XIC1 (B7)	
XIC2 (B6)	
XIC3 (C7)	
XIC4 (C6)	



# 8-3 Video-cd

## 8-3-1 Top View

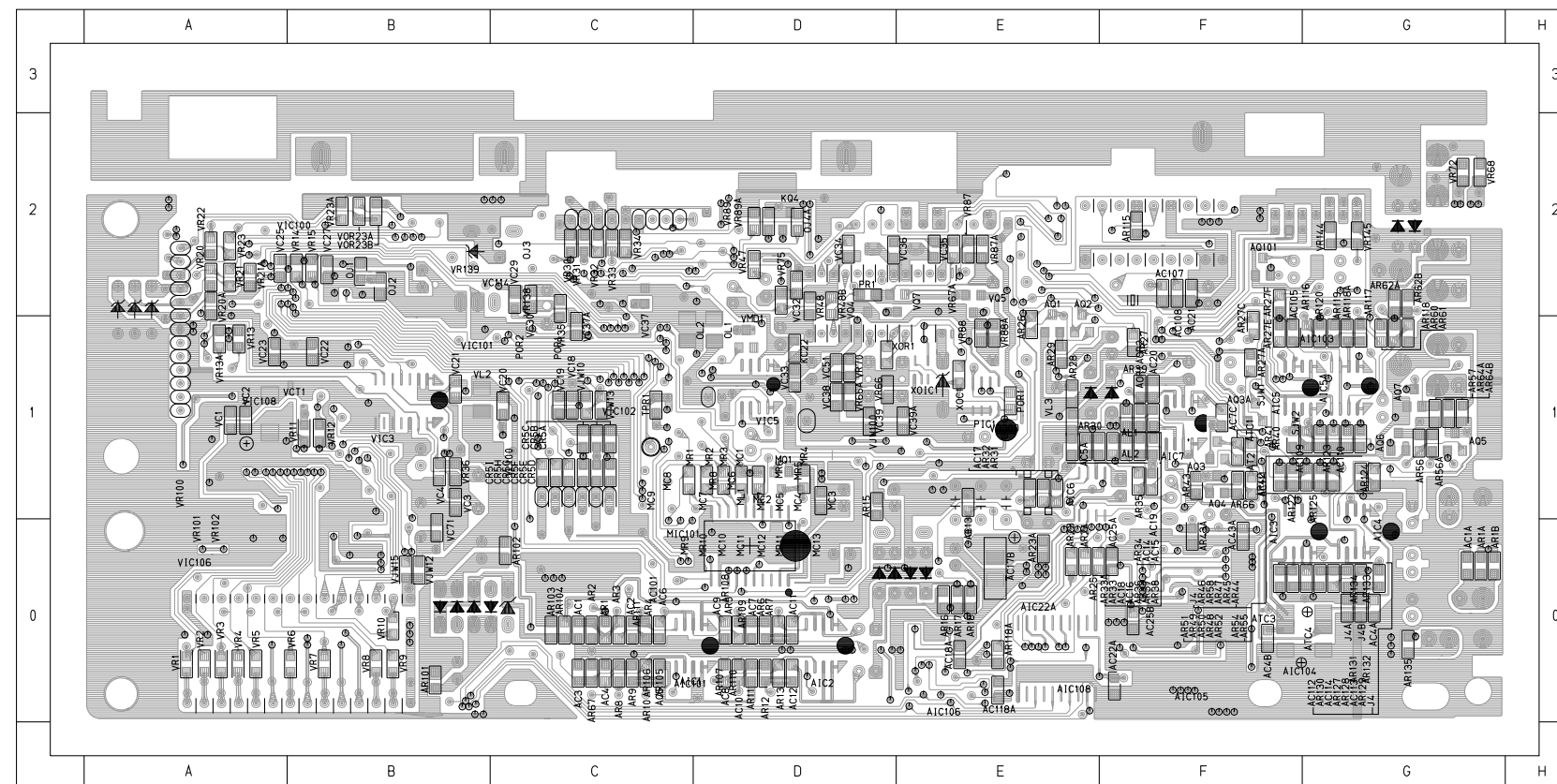


- \*\*\* CHIP \*\*\*
- |             |            |             |            |
|-------------|------------|-------------|------------|
| AC1 (C0)    | AC4 (C0)   | AQ3 (F1)    | VR11 (B1)  |
| AC10 (D0)   | AC43A (F0) | AQ3A (F1)   | VR12 (B1)  |
| AC101 (C0)  | AC4A (G0)  | AQ4 (F1)    | VR13 (A1)  |
| AC105 (F1)  | AC4B (F0)  | AQ5 (G1)    | VR13B (C2) |
| AC107 (F2)  | AC5 (C0)   | AQ6 (G1)    | VR139 (B2) |
| AC108 (F2)  | AC5A (E1)  | AQ7 (G1)    | VR13A (A1) |
| AC109 (F1)  | AC6 (C0)   | AR1 (C0)    | VR14 (B2)  |
| AC11 (D0)   | AC7 (D0)   | AR10 (C0)   | VR144 (G2) |
| AC110 (G1)  | AC7C (F1)  | AR101 (B0)  | VR145 (G2) |
| AC111 (F1)  | AC8 (D0)   | AR102 (C0)  | VR15 (B2)  |
| AC112 (F0)  | AC9 (D0)   | AR102 (C0)  | VR2 (A0)   |
| AC113 (G0)  | AC10 (C0)  | AR102 (C0)  | VR20 (A2)  |
| AC114 (G0)  | AC101 (C0) | AR105 (C0)  | VR20A (A2) |
| AC118A (E0) | AC103 (G1) | AR106 (C0)  | VR21 (A2)  |
| AC12 (D0)   | AC104 (F0) | AR107 (D0)  | VR21A (A2) |
| AC13 (E1)   | AC105 (F0) | AR108 (D0)  | VR22 (A2)  |
| AC14 (F1)   | AC106 (E0) | AR109 (D0)  | VR23 (A2)  |
| AC15 (F1)   | AC108 (E0) | AR11 (D0)   | VR23A (B2) |
| AC16 (F1)   | AC12 (D0)  | AR110 (D0)  | VR3 (A0)   |
| AC17 (E1)   | AC13 (F0)  | AR111 (C0)  | VR30 (C2)  |
| AC17B (E0)  | AC14 (G0)  | AR115 (F2)  | VR31 (C2)  |
| AC18 (F1)   | AC15 (F1)  | AR116 (G1)  | VR32 (C2)  |
| AC18A (E0)  | AC15A (G1) | AR117 (G1)  | VR33 (C2)  |
| AC19 (F1)   | AC16 (E1)  | AR118 (G1)  | VR34 (C2)  |
| AC1A (G0)   | AC17 (F1)  | AR118A (E0) | VR35 (C2)  |
| AC2 (C0)    | AL1 (F1)   | AR118A (G1) | VR36 (B1)  |
| AC20 (F1)   | AL2 (F1)   | AR119 (G1)  | VR4 (A0)   |
| AC21 (F2)   | AOR1 (F1)  | AR12 (D0)   | VR47 (D2)  |
| AC22A (F0)  | AOR2 (F1)  | AR120 (D1)  | VR48 (D2)  |
| AC25A (F0)  | AQ1 (E1)   | AR120 (G1)  | VR48B (D2) |
| AC25B (F0)  | AQ101 (F2) | AR122 (F1)  | VR5 (A0)   |
| AC3 (C0)    | AQ2 (E1)   | AR123 (G1)  | VR6 (B0)   |

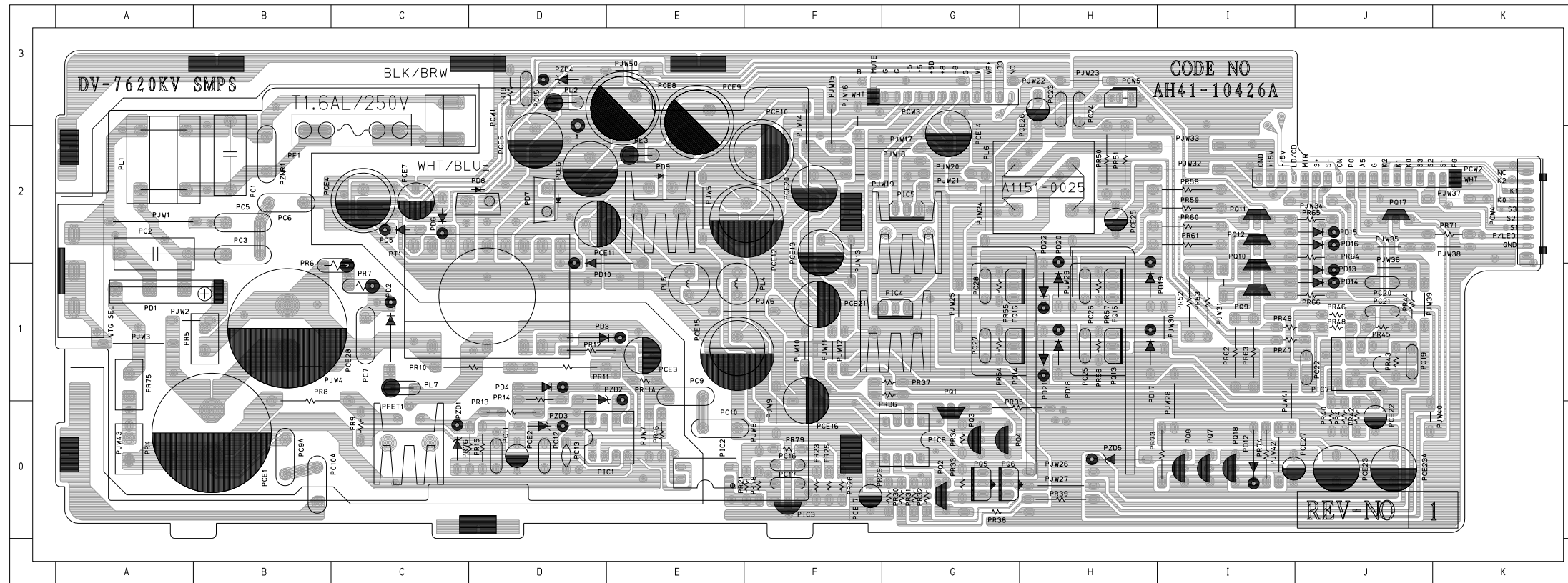
- |            |            |            |            |
|------------|------------|------------|------------|
| AR124 (G1) | AR30 (E1)  | AR58 (G1)  | VR66 (D1)  |
| AR125 (G1) | AR31 (E1)  | AR6 (D0)   | VR66A (D1) |
| AR127 (G0) | AR32 (E1)  | AR60 (G1)  | VR67A (E2) |
| AR128 (G0) | AR33 (E1)  | AR61 (G1)  | VR68 (G2)  |
| AR129 (G0) | AR33A (E1) | AR62A (G2) | VR7 (B0)   |
| AR13 (D0)  | AR34 (F1)  | AR62B (G2) | VR70 (D1)  |
| AR130 (F0) | AR35 (F1)  | AR64A (G1) | VR72 (G2)  |
| AR131 (G0) | AR36 (F1)  | AR64B (G1) | VR75 (D2)  |
| AR132 (G0) | AR37 (F1)  | AR66 (F1)  | VR8 (B0)   |
| AR133 (G0) | AR38 (F1)  | AR66 (F1)  | VR87 (E2)  |
| AR134 (G0) | AR39 (F1)  | AR7 (D0)   | VR87A (E2) |
| AR135 (G0) | AR4 (C0)   | AR8 (C0)   | VR88 (E1)  |
| AR15 (D1)  | AR40 (F1)  | AR9 (C0)   | VR88A (E1) |
| AR16 (E0)  | AR41 (F1)  | AT2 (F1)   | VR89 (D2)  |
| AR17 (E0)  | AR42 (F1)  | ATC1 (F1)  | VR89A (D2) |
| AR18 (E0)  | AR43 (F1)  | ATC3 (F0)  | VR9 (B0)   |
| AR1A (G0)  | AR43A (F0) | ATC4 (G0)  | XOC1 (E1)  |
| AR1B (G0)  | AR44 (G1)  | CR5A (C1)  | XO1C1 (E1) |
| AR2 (C0)   | AR45 (G1)  | CR5B (C1)  | XOR1 (D1)  |
| AR23 (E0)  | AR46 (G1)  | CR5C (C1)  |            |
| AR23A (E0) | AR47 (G1)  | CR5D (C1)  |            |
| AR24 (E0)  | AR48 (G1)  | CR5E (C1)  |            |
| AR25 (E0)  | AR49 (F1)  | CR5F (C1)  |            |
| AR26 (E1)  | AR5 (D0)   | CR5G (C1)  |            |
| AR27 (F1)  | AR50 (G1)  | CR5H (C1)  |            |
| AR27A (F1) | AR51 (F1)  | CR5I (C1)  |            |
| AR27C (F1) | AR52 (G1)  | J4 (F1)    |            |
| AR27E (F1) | AR54 (G1)  | J4 (G0)    |            |
| AR27F (F2) | AR55 (G1)  | J4A (G0)   |            |
| AR28 (E1)  | AR56 (G1)  | J4B (G0)   |            |
| AR29 (E1)  | AR56A (G1) | KC22 (D1)  |            |
| AR3 (C0)   | AR57 (G1)  | KQ4 (D2)   |            |

- |             |            |             |
|-------------|------------|-------------|
| MC1 (D1)    | OL2 (C1)   | VC39A (E1)  |
| MC10 (D0)   | PIC1 (E1)  | VC4 (B1)    |
| MC11 (D0)   | POR1 (E1)  | VC51 (D1)   |
| MC12 (D0)   | POR1 (C1)  | VC71 (B0)   |
| MC13 (D0)   | POR2 (C1)  | VC71 (A1)   |
| MC2 (D1)    | PR1 (D2)   | VIC100 (B2) |
| MC3 (D1)    | SJW1 (F1)  | VIC101 (B1) |
| MC4 (D1)    | SJW2 (F1)  | VIC102 (C1) |
| MC5 (D1)    | TPR1 (C1)  | VIC106 (B0) |
| MC6 (D1)    | VC1 (A1)   | VIC108 (B1) |
| MC7 (D1)    | VC114 (C2) | VIC3 (B1)   |
| MC8 (C1)    | VC18 (C1)  | VIC5 (D1)   |
| MC9 (C1)    | VC19 (C1)  | VJW10 (C1)  |
| MIC101 (D0) | VC2 (A1)   | VJW100 (D1) |
| ML1 (D1)    | VC20 (C1)  | VJW12 (B0)  |
| MO1 (D1)    | VC21 (B1)  | VJW13 (C1)  |
| MR1 (C1)    | VC22 (B1)  | VJW15 (B0)  |
| MR10 (D0)   | VC23 (A1)  | VL100 (C1)  |
| MR11 (D0)   | VC25 (A2)  | VL2 (B1)    |
| MR2 (D1)    | VC27 (B2)  | VL3 (E1)    |
| MR3 (D1)    | VC29 (C2)  | VMD1 (D1)   |
| MR4 (D1)    | VC3 (B1)   | VOR23A (B2) |
| MR5 (D1)    | VC30 (C2)  | VOR23B (B2) |
| MR6 (D1)    | VC32 (D2)  | VQ300 (E1)  |
| MR7 (D1)    | VC33 (D1)  | VQ4 (D2)    |
| MR8 (D1)    | VC34 (D2)  | VQ5 (E2)    |
| MR9 (D0)    | VC35 (E2)  | VQ7 (E2)    |
| OJ1 (B2)    | VC36 (D2)  | VR1 (A0)    |
| OJ2 (B2)    | VC37 (C2)  | VR10 (B0)   |
| OJ3 (C2)    | VC37A (C1) | VR100 (A1)  |
| OJ4A (D2)   | VC3B (D1)  | VR101 (A0)  |
| OL1 (D1)    | VC39 (D1)  | VR102 (A0)  |

## 8-3-2 bottom View



# 8-4 Power

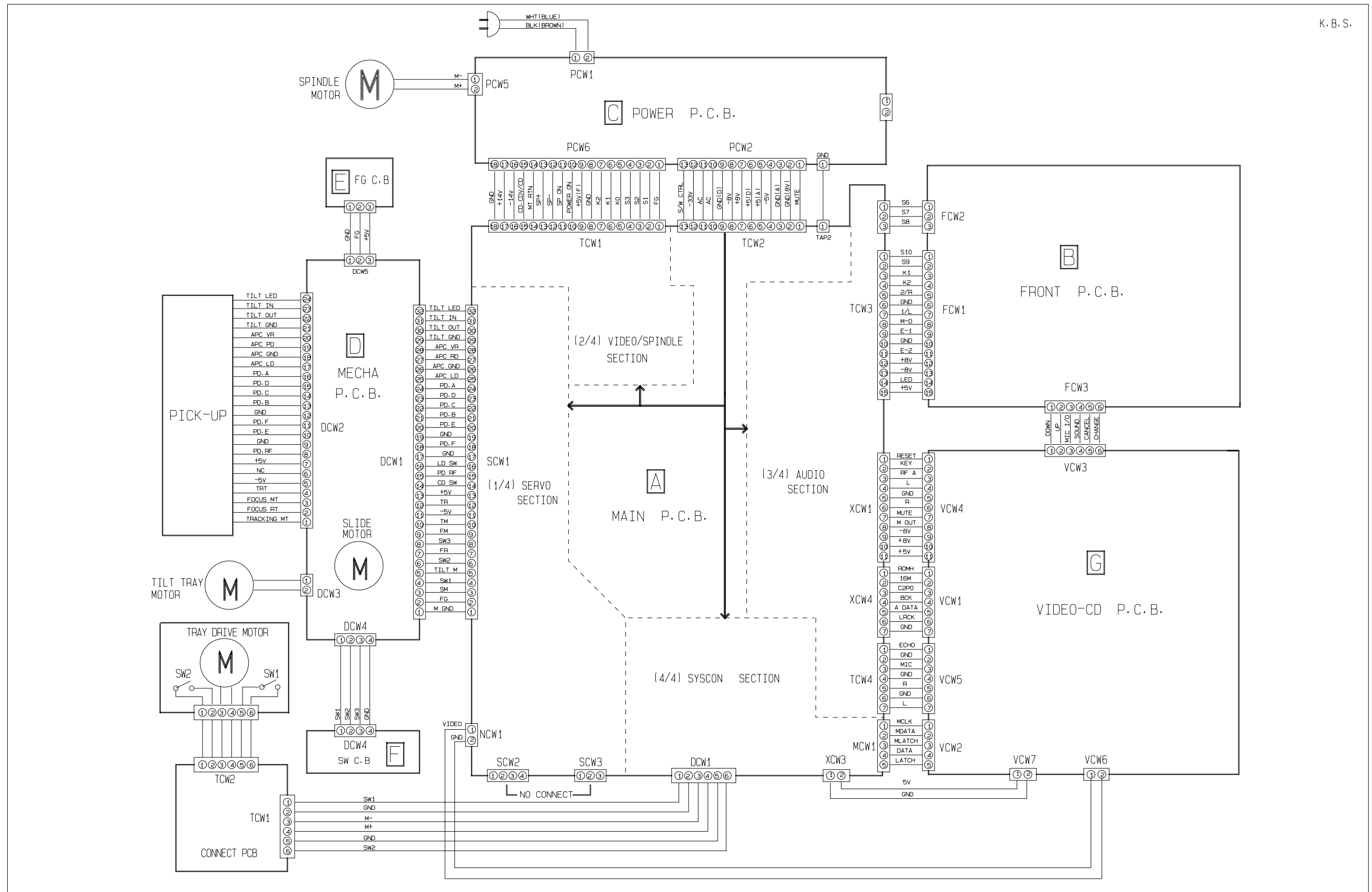


*** RESISTOR ***	*** CONDENSER ***	*** DIODE ***	*** TR ***	*** IC&WAFER ***
PR10 (C1)	PR52 (I1)	PC10 (E0)	PCE26 (H3)	PD12 (I0)
PR11 (D1)	PR53 (I1)	PC10A (B0)	PCE27 (I0)	PD13 (J1)
PR11A (E1)	PR54 (G1)	PC11 (D0)	PCE3 (E1)	PD14 (J1)
PR12 (D1)	PR55 (G1)	PC12 (D0)	PCE4 (C2)	PD15 (J2)
PR13 (D0)	PR56 (H1)	PC13 (D0)	PCE5 (D2)	PD16 (J2)
PR14 (D1)	PR57 (H1)	PC15 (D3)	PCE6 (D2)	PD17 (H1)
PR15 (D0)	PR58 (H2)	PC16 (F0)	PCE7 (C2)	PD18 (H1)
PR16 (E0)	PR59 (H2)	PC17 (F0)	PZNR1 (B2)	PD19 (H2)
PR18 (D3)	PR60 (H2)	PC19 (J1)	PC7 (C1)	PD2 (C1)
PR21 (F0)	PR61 (H2)	PC20 (J1)	PC9 (E1)	PD20 (H2)
PR23 (F0)	PR62 (I1)	PC21 (J1)	PC9A (B0)	PD21 (H1)
PR25 (F0)	PR63 (I1)	PC22 (J1)	PCE10 (F2)	PD22 (H1)
PR26 (F0)	PR64 (I2)	PC23 (H3)	PCE13 (F2)	PD3 (E1)
PR29 (G0)	PR65 (I2)	PC24 (H3)	PCE14 (G3)	PD4 (D1)
PR30 (G0)	PR66 (I1)	PC25 (H1)	PCE16 (F1)	PD5 (C2)
PR31 (G0)	PR71 (J2)	PC26 (H1)	PCE17 (F0)	PD6 (C2)
PR32 (G0)	PR73 (I0)	PC27 (G1)	PCE2 (D0)	PDZ1 (C0)
PR33 (G0)	PR74 (I0)	PC28 (G1)	PCE20 (F2)	PDZ2 (E1)
PR34 (G0)	PR76 (D0)	PC3 (B2)	PCE21 (F1)	PDZ3 (D0)
PR35 (G0)	PR78 (F0)	PC5 (B2)	PCE22 (J0)	PDZ4 (D3)
PR36 (F1)	PR79 (F0)	PC6 (B2)	PCE23 (J0)	PDZ5 (H0)
PR37 (F1)	PR8 (B1)	PCE25 (H2)	PCE23A (J0)	
PR38 (G0)	PR9 (C0)			
PR39 (H0)	PR45 (J1)			
PR40 (J0)	PR46 (J1)			
PR41 (J0)	PR47 (I1)			
PR42 (J0)	PR48 (J1)			
PR43 (J1)	PR49 (I1)			
PR44 (J1)	PR50 (H2)			
	PR51 (H2)			



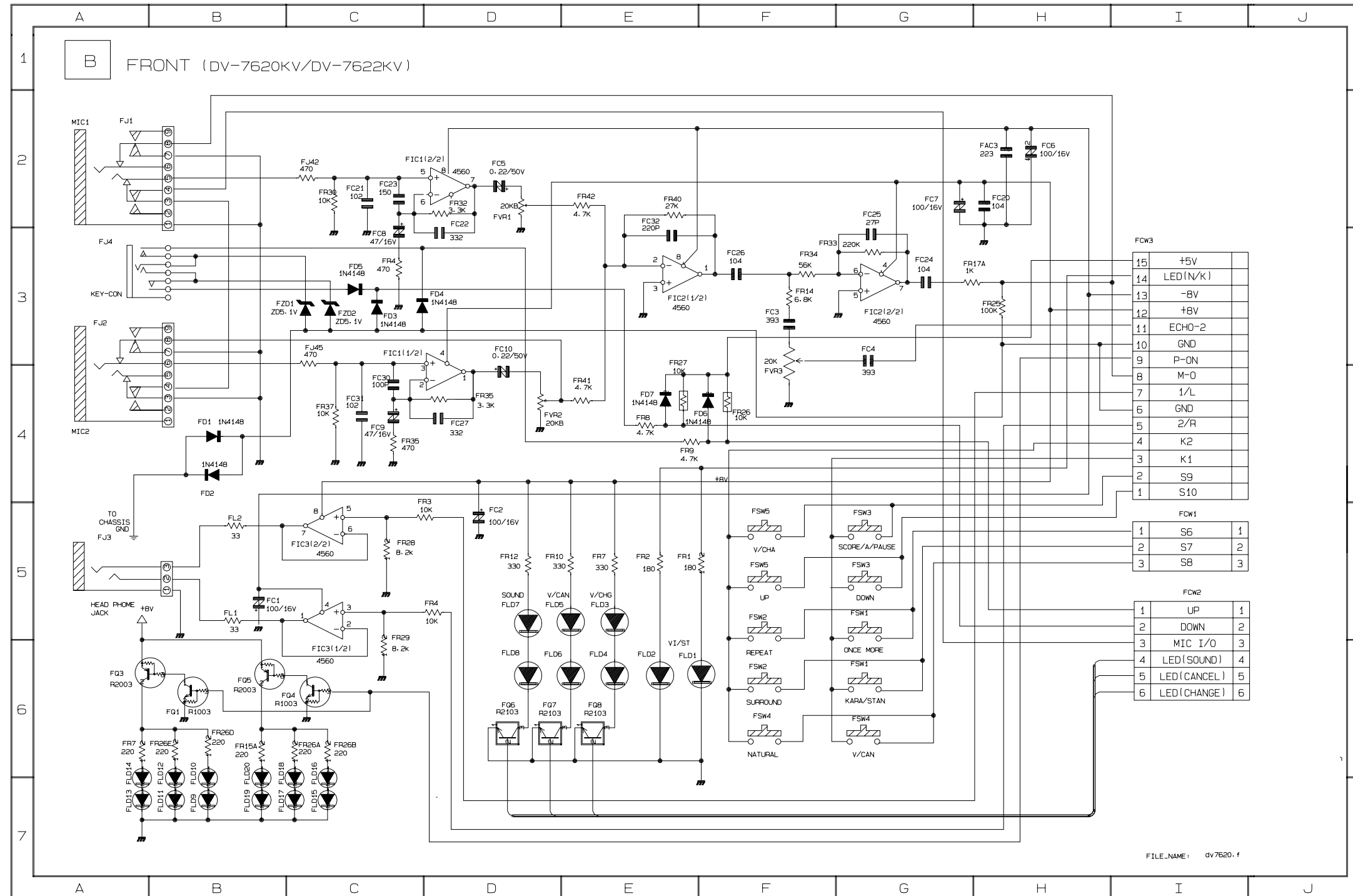
# 9.Wiring Diagram ( DV - 7620KV/DV - 7622KV)

K.B.S.

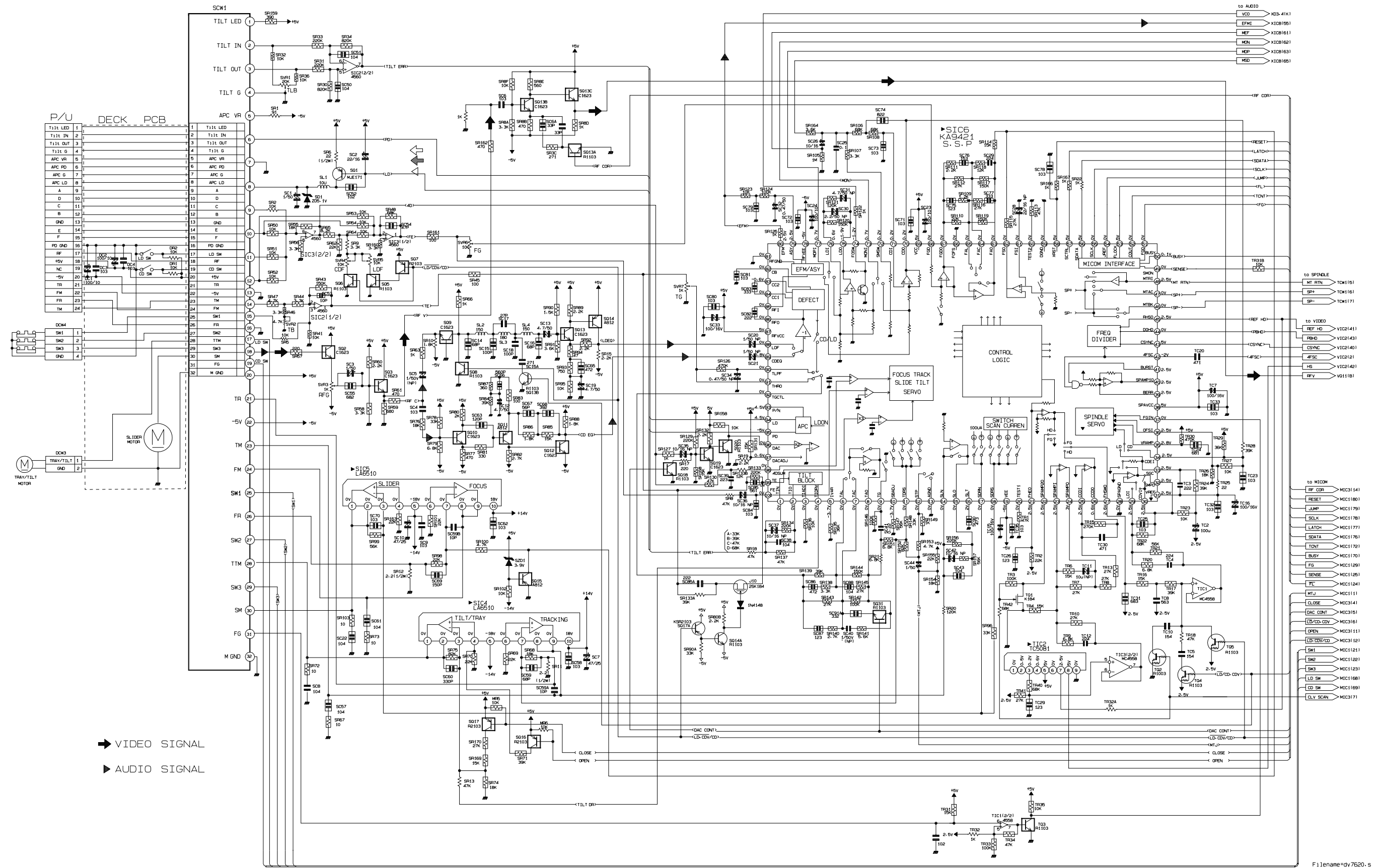


# 10.Schematic Diagram

## 10-1.Front (DV - 7620KV/DV - 7622KV)



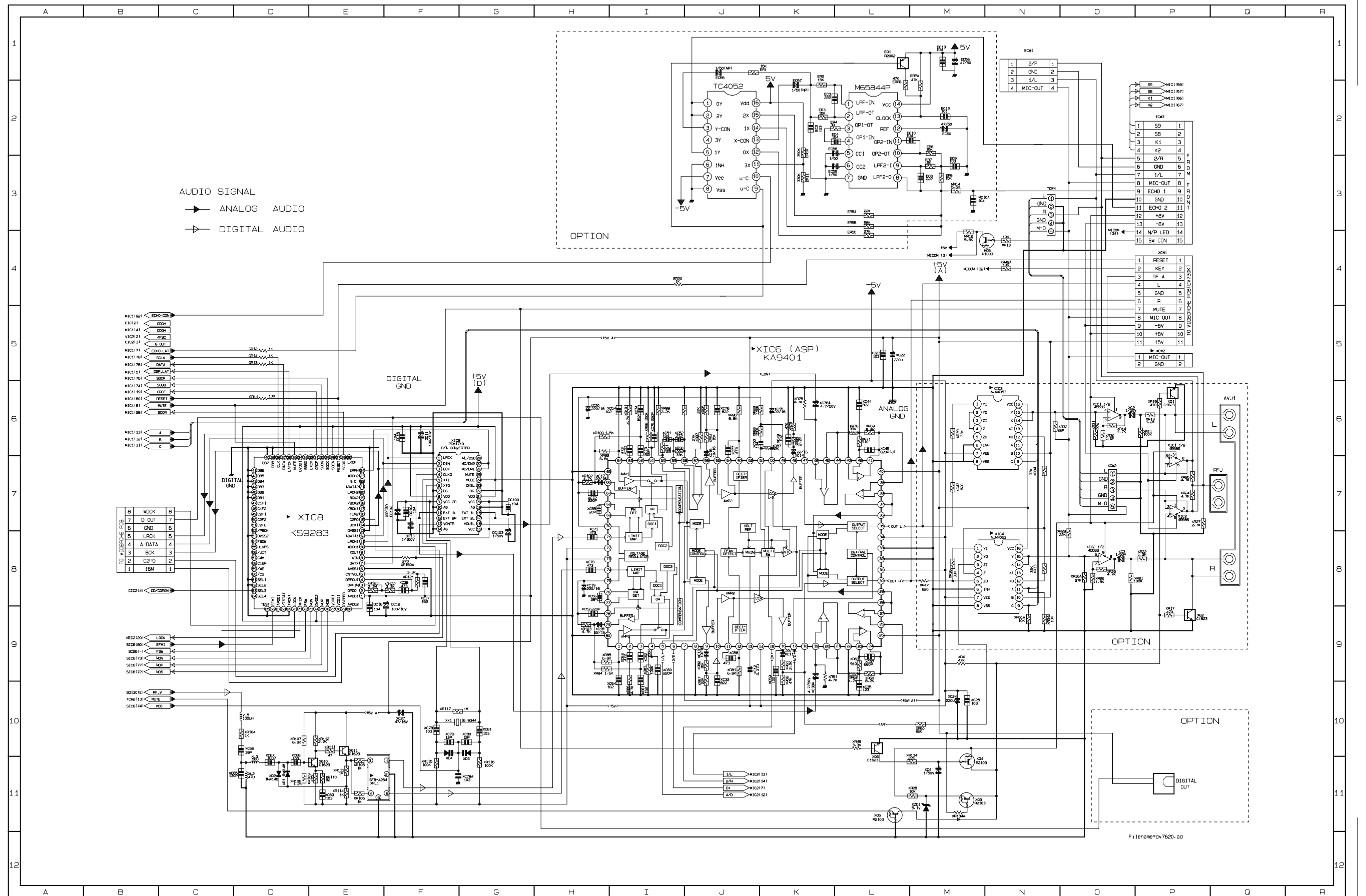
# 10-2. Main ( 1/4 Servo Section, DV - 7620KV/DV - 7622KV )



F11name=dv7620.s

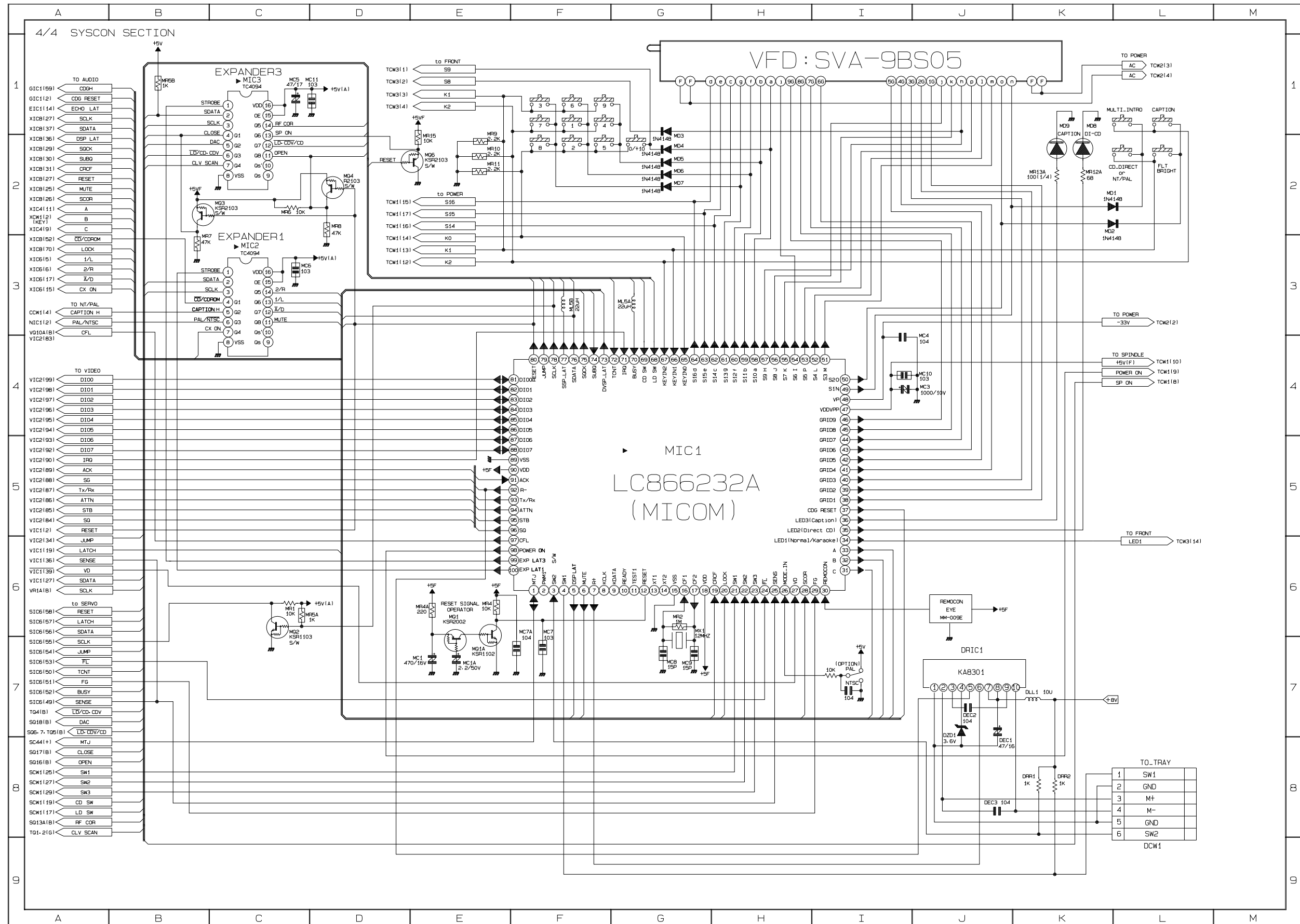


# 10-4. Main ( 3/4 Audio Section, DV - 7620KV/DV - 7622KV )

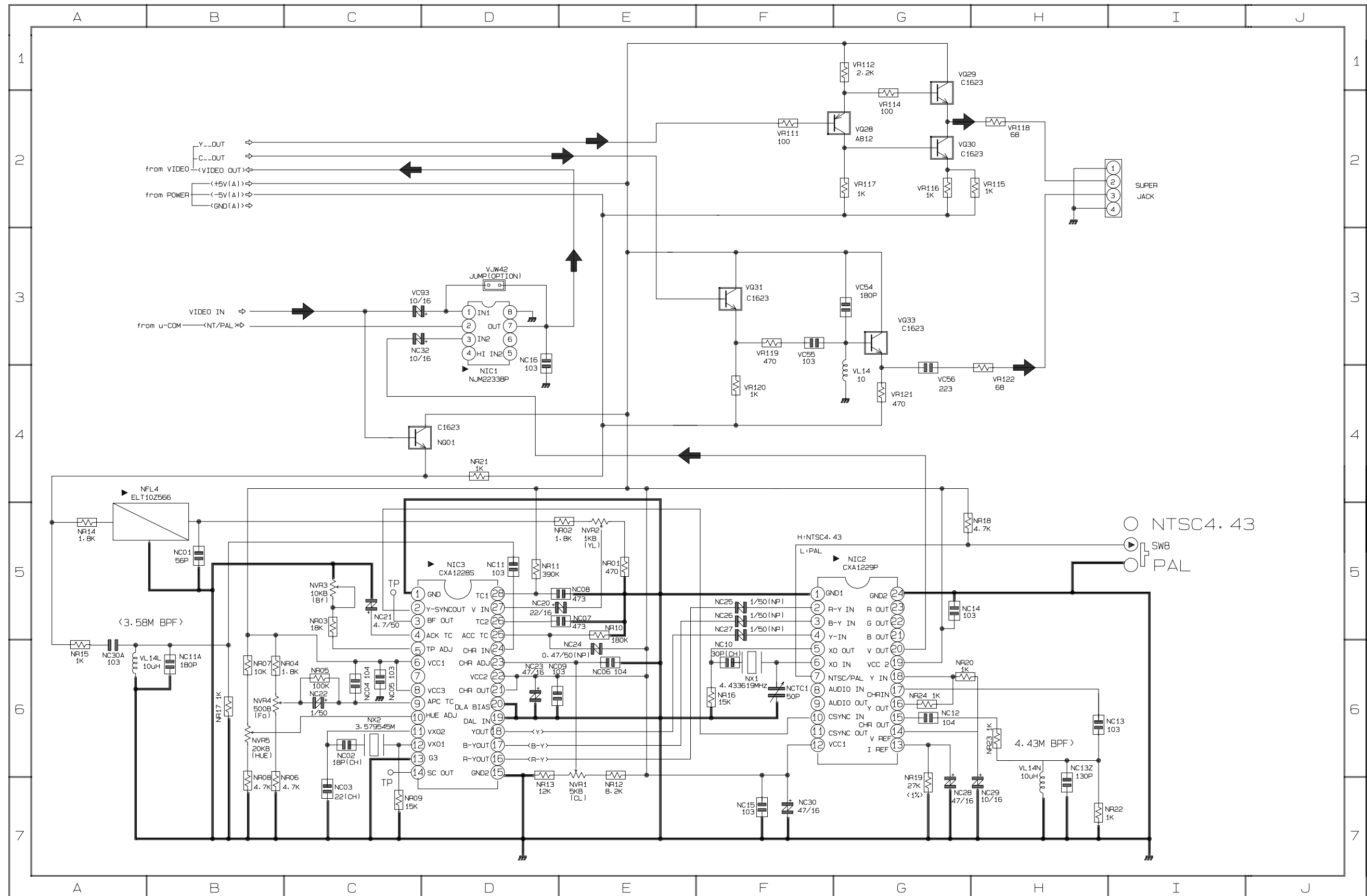




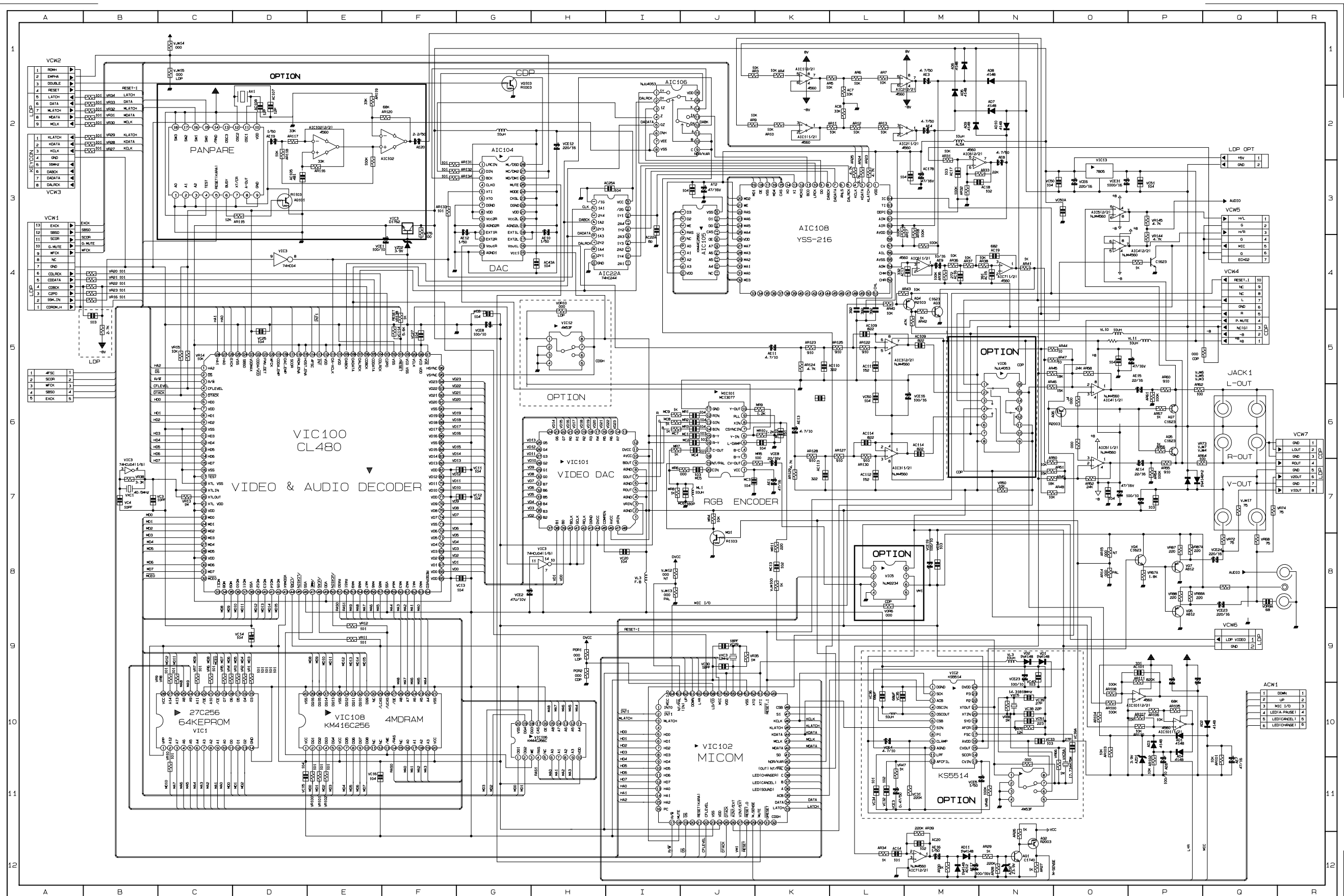
# 10-5. Main ( 4/4 Syscon Section, DV - 7620KV/DV - 7622KV )



# 10-6. Main ( NTSC / PAL Section )



# 10-7. Video-CD ( DV - 7620KV/DV - 7622KV )



# 10-8. Power ( DV - 7620KV/DV - 7622KV )

