

# 5. Exploded View and Parts List

\* DV-350KV E/VIEW

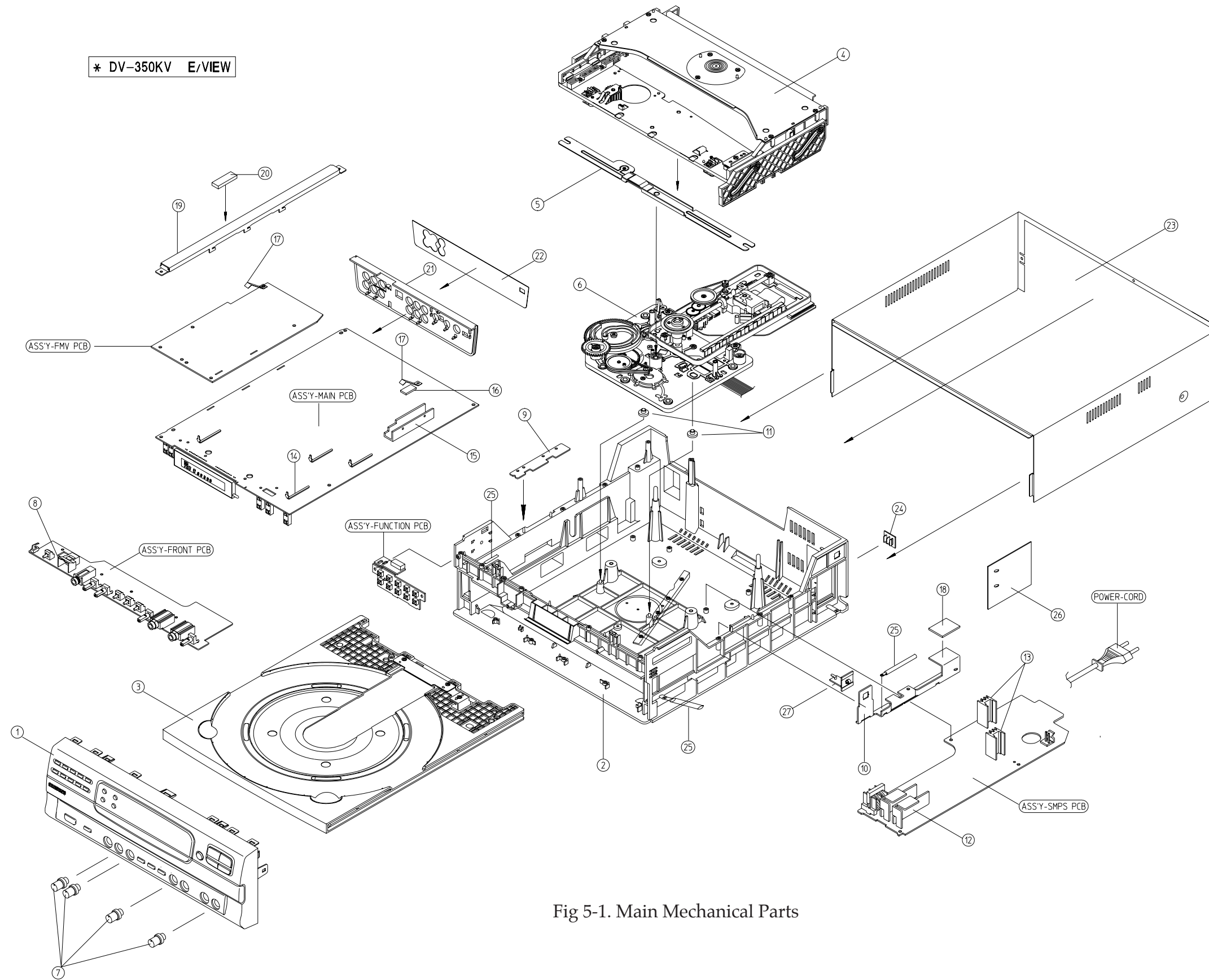


Fig 5-1. Main Mechanical Parts

**\* PARTS LIST (DV-350KV )**

NO	CODE-NO.	DESCRIPTION	SPECIFICATION	Q' TY	REMARK
1	AH95-10300A	ASS' Y-CABINET FRONT	DV350KV/EXP PAL	1	
2	AH95-30025A	ASS' Y-MAIN CABINET	DV350KV/EXP PAL	1	
3	AH95-50070A	ASS' Y-TRAY	CVM-55S	1	
4	AH95-50069C	ASS' Y-CLAMPER(NEW)	DV-530K	1	
5	AH95-50109A	ASS' Y-BRKT LEVER	CVM-55S	1	
6	AJ59-20007L	ASS' Y-DECK	ASS' Y	1	
7	AH64-10625A	KNOB-VOLUME	ABS 94HB BLK	4	
8	AH61-20116A	HOLDER-LED	ABS 94HB BLK	1	
9	AH61-10244A	BRKT-SIDE L	SECC 1.6T	1	
10	AH61-10184A	BRACKET-HOLDER	SECC 1.6T	1	
11	16154-507-910	RUBBER-CHASSIS	HICA 35	2	
12	AH62-30050A	HEAT-SINK	AL 2.0T	2	
13	AH62-30062B	HEAT-SINK	AL EXTR BLK	2	
14	AH65-30013A	CORD-CLAMP	DALA-2	4	
15	AH62-30044A	HEAT-SINK DRIVE IC	AL A1050 2.0T	1	
16	16804-521-510	CUSHION-DECK	EVA SPONGE	1	
17	AH61-10513A	BRKT-PCB/G	SUS 2.0T	2	
18	AH69-20064A	CUSHION-BRACKET	EVA SPONGE	1	
19	AH61-10151A	BRKT-PCB	SECC 1.2T	1	
20	16804-521-630	CUSHION-PCB	EVA	1	
21	AH63-30032A	COVER-REAR	ABS 94HB	1	
22	AH68-50350A	LABEL-JACK	PVC 0.3T	1	
23	AH64-30230B	CABINET-TOP	SECC 0.75T BLK	1	
24	AH63-30081A	COVER-VOLTAGE	ABS 94HB BLK	1	
25	AH65-30010A	CLAMPER-WIRE	DALB-2	3	
26	AH63-30101A	COVER-WIRE	PE	1	
27	AH61-20229A	HOLDER-PCB	NYLON 66	1	

## 6. Electric Parts List

Loc No	Parts No	Description	Specification
<b>19129-0511-00 ASSY-SMPS;LD-OK600</b>			
PD4,13,14,15,16	0401-000005	DIODE-SWITCHING	;1N4148,100V,200MA,5
PD1	0402-000104	DIODE-BRIDGE	;D3SBA60,600V,4A,-
PD2	0402-000378	DIODE-RECTIFIER	;EG01C,1000V,500MA,D
PD3,5,6	0402-000382	DIODE-RECTIFIER	;ERA18-04V1,400V,800
PD10	0402-000385	DIODE-RECTIFIER	;S2L20U-4000,200V,1.
PZD4	0403-000341	DIODE-ZENER	;UZ3.3B,3.3V,3.1-3.5V,50
PZD5	0403-000345	DIODE-ZENER	;UZ3.9BSB,3.9V,3.92-4.14
PZD3	0403-000354	DIODE-ZENER	;UZ5.1B,5.1V,4.8-5.4V,50
PZD1,PZD2	0403-000384	DIODE-ZENER	;UZP20B,20V,18.9-21.1V,1
PD7,8	0404-000127	DIODE-SCHOTTKY	;D5S9M-4000,90V,5A,TO
PQ1,9,10	0501-000167	TR-SMALL SIGNAL	;2SA933,PNP,-50V,-40
PQ3,4	0501-000369	TR-SMALL SIGNAL	;KSC2331,NPN,80V,60V
PQ2,11,12	0501-000637	TR-SMALL SIGNAL	;2SC1740S,NPN,50V,40
PQ5,6	0502-000250	TR-POWER	;KSB772,PNP,-40V,-30V,-3A,1
PQ14,16	0502-000424	TR-POWER	;2SB1566-F,PNP,-60V,-50V,-3
PQ13,15	0502-000425	TR-POWER	;2SD2395-F,NPN,60V,50V,3A,2
PQ8,PQ7	0504-000117	TR-DIGITAL	;NPN,300MW,10K-10KOHM
PQ18	0504-000144	TR-DIGITAL	;PNP,300MW,10K-10KOHM,TO-
PFET1	0505-000238	FET-SILICIN	;2SK903M,N,800V,3A,4OHM,
PIC2	0604-000119	PHOTO-COUPLER	;TR,200-400%,200MW,DIL
PIC6,7	1201-000191	IC-OP AMP	;4558,DIP,8P,300MIL,DUAL,2
PIC5	1203-000122	IC-NEGA.FIXED REG.	;7908,TO-220,3P,-
PIC4	1203-000294	IC-POSI.FIXED REG.	;7808,TO-220,3P,-
PIC3	1203-000340	IC-VOL. REFERANCE	;431,TO-92,3P,-,PL
PD12,17,18,19,20,21,22	12169-201-090	DIODE-RECTIFIER	;1N 4002,TAPE
PC1	16804-521-510	CUSHION-DECK	;EVA SPONGE DV5000NK
PR39	2001-000003	R-CARBON	;330OHM,5%,1/8W,AA,TP,1.8X3
PR12,13	2001-000019	R-CARBON(S)	;10OHM,5%,1/2W,AA,TP,2.4
PR74	2001-000028	R-CARBON(S)	;100OHM,5%,1/2W,AA,TP,2.
	2001-000273	R-CARBON	;100KOHM,5%,1/8W,AA,TP,1.8X
PR18,33,34	2001-000290	R-CARBON	;10KOHM,5%,1/8W,AA,TP,1.8X3
PR14	2001-000362	R-CARBON	;150OHM,5%,1/8W,AA,TP,1.8X3
PR9,79	2001-000397	R-CARBON	;180KOHM,5%,1/8W,AA,TP,1.8X
PR44,47,49,21,PR78	2001-000429	R-CARBON	;1KOHM,5%,1/8W,AA,TP,1.8X3.
PR40	2001-000563	R-CARBON	;27KOHM,5%,1/8W,AA,TP,1.8X3
PR66	2001-000660	R-CARBON	;33KOHM,5%,1/8W,AA,TP,1.8X3
PR64,65	2001-000812	R-CARBON	;5.6KOHM,5%,1/8W,AA,TP,1.8X
PR23	2001-000864	R-CARBON	;56KOHM,5%,1/8W,AA,TP,1.8X3
PR54,55,56,57	2001-000869	R-CARBON	;56OHM,5%,1/8W,AA,TP,1.8X3.
PR67,68,76,77	2001-001055	R-CARBON(S)	;1.8KOHM,5%,1/2W,AA,TP,2
PR73	2001-001093	R-CARBON(S)	;2.2KOHM,5%,1/2W,AA,TP,2
PR1,2	2001-001095	R-CARBON(S)	;2.2MOHM,5%,1/2W,AA,TP,2
PR28	2001-001114	R-CARBON(S)	;270OHM,5%,1/2W,AA,TP,2.
PR52,53,58,59,60,61,62,63	2001-001192	R-CARBON(S)	;820OHM,5%,1/2W,AA,TP,2.
PR35,38	2001-001195	R-CARBON(S)	;82OHM,5%,1/2W,AA,TP,2.4
PR69	2003-000468	R-METAL OXIDE(S)	;10OHM,5%,1W,AA,TP,
PR50,51	2003-000542	R-METAL OXIDE(S)	;1OHM,5%,1W,AA,TP,3
PR25,26	2004-000151	R-METAL	;1.5KOHM,1%,1/8W,AA,TP,1.8X3
PR29,30,46,48	2004-000218	R-METAL	;10KOHM,1%,1/8W,AA,TP,1.8X3.
PR43,45	2004-000285	R-METAL	;12KOHM,1%,1/8W,AA,TP,1.8X3.
PR16	2004-001126	R-METAL	;6.2KOHM,1%,1/8W,AA,TP,1.8X3

Loc No	Parts No	Description	Specification
PR31,32,36,37,41,42	2004-001880	R-METAL	;4.7KOHM,1%,1/8W,AA,TP,1.8X3
PR8	2005-000104	R-WIRE WOUND	;0.1OHM,5%,2W,AA,TP,6.5
PR75	2006-000268	R-CEMENT	;2.7OHM,5%,2W,CA,BK,6.4X27X
PR19	2008-000147	R-FUSIBLE	;22OHM,5%,1/4W,AA,TP,2.6X6
PC3,5,6,9,10	2201-000324	C-CERAMIC,DISC	;2.2NF,10%,500V,Y5P,1
PC13	2201-000557	C-CERAMIC,DISC	;470PF,10%,50V,SL,10.
PC2	2301-000371	C-FILM,PEF	;100NF,1%,250V,-,-,TP
PC15,19,21,17	2301-000382	C-FILM,PEF	;10NF,5%,50V,6X12X3.5,4MM
PC1	2301-000409	C-FILM,PEF	;220NF,1%,250V,-,-,TP
PC16	2301-000420	C-FILM,PEF	;27NF,10%,50V,8X12X4,4MM,
PC23,24,25,26,27,28	2301-000450	C-FILM,PEF	;47NF,10%,50V,9.5X12.5X5,
PC11	2301-000465	C-FILM,PEF	;6.8NF,5%,50V,6X12X3,3.5M
PC12,20,22	2303-000312	C-FILM,PPF	;100NF,1%,50V,7.5*12.5*3.
PC7	2303-000313	C-FILM,PPF	;10NF,1%,630V,-,-,TP
PCE19	2401-000240	C-AL	;100UF,20%,10V,GP,6*11MM,5MM,TP
PCE18	2401-000357	C-AL	;100UF,20%,50V,GP,8*11.5,3.5MM,
PCE17	2401-000415	C-AL	;10UF,20%,16V,GP,5*11,2MM,
PCE25,26	2401-000475	C-AL	;10UF,20%,50V,GP,5*11,2MM,
PCE2	2401-000658	C-AL	;2.2UF,20%,50V,GP,5*11,2MM,
PCE20,21,16	2401-001351	C-AL	;470UF,20%,10V,GP,8X11.5,-,
PCE22	2401-001465	C-AL	;47UF,20%,10V,GP,5*11,2MM,
PCE27	2401-001529	C-AL	;47UF,20%,25V,GP,5*11,2MM,
PCE11	2401-001882	C-AL	;1000UF,20%,16V,LZ,10X20,-,
PCE5,6	2401-001884	C-AL	;1000UF,20%,25V,LZ,12.5X25,-,
PCE7	2401-001902	C-AL	;100UF,20%,50V,GP,11X6,-,
PCE8,9	2401-001926	C-AL	;2200UF,20%,25V,GP,12.5X25,-,
PCE13,14,23	2401-001969	C-AL	;470UF,20%,25V,GP,10X12MM,5MM,T
PCE4	2401-001976	C-AL	;47UF,20%,16V,GP,11X5,-,
PCE3	2401-001981	C-AL	;47UF,20%,50V,GP,11X6,-,
PL2,3,7	3301-000297	CORE-FERRITE BEAD	;AA,3.6X1.2X5.7MM,
PF2	3601-000364	FUSE-PC BOARD	;50V,600MA,-,-,5X4X5MM
PF1	3602-000147	FUSE-CLIP	;250V,7.5A,30MOHM
PCW1	3711-000190	CONNECTOR-HEADER	;1WALL,2P,1R,7.92MM
PCW5	3711-000820	CONNECTOR-HEADER	;BOX,2P,1R,2.5MM,-,
PFET1,PD9,PQ13,14,15,16	6003-000283	SCREW-TAPTITE	;BH,+,B,M3,L8,ZPC(YEL)
PR6,7	A1004-0462	R-METAL OXIDE	;RS 3 RS 333-J MOR3W33
PR10,11	A1004-0463	R-METAL OXIDE	;RS 1 T 124-J
PZNR1	A1330-0058	VARISTOR	;SVC471D-14A 470V 0.6W 2500
PT1	AH26-20001A	TRANS-SWITCHING	;220V,50HZ,100Ø
PL4,5	AH27-10001R	COIL-CHOKE	;10UH,K,Q80
PL1	AH29-30001B	FILTER-LINE	;20MH,-,
PL6	AH29-30001C	FILTER-LINE	;12MH-18MH,500UH,
PCW3	AH39-20024G	LEAD-CONNECTOR	;5264,51008,13P
PR4,75	AH63-70082F	SHEET-HYMERON	;HYMERON,T0.3,L25,W10,
PIC1	B4008-1054	IC-S/W REGU	;FA5311 DIP STICK

### 19129-0511-0M SMPS OPTION;DV-K350 LD-OK

PD9	0404-000128	DIODE-SCHOTTKY	;FMB-G14L,45V,5A,TO-2
PR28	2001-001114	R-CARBON(S)	;270OHM,5%,1/2W,AA,TP,2.
PCE10,12,15	2401-001924	C-AL	;2200UF,20%,16V,LZ,22X30,-,
AC-CORD	AH39-10002Y	POWER-CORD	;CP2,KLCE-2F,2.15M,5239,V

Loc No	Parts No	Description	Specification
	<b>AH90-40200A</b>	<b>ASSY-OPT PCB;DV-K350 220V ONLY</b>	
PR3	2001-000242	R-CARBON	;1.5MOHM,5%,1 / 4W,AA,TP,2.4X
PR80	2001-000563	R-CARBON	;27KOHM,5%,1 / 8W,AA,TP,1.8X3
PR4	2006-000268	R-CEMENT	;2.7OHM,5%,2W,CA,BK,6.4X27X
PCE1	2401-001901	C-AL	;100UF,20%,400V,-,22X30,-,
PF1	3601-000170	FUSE-FERRULE	;250V,1.6A,TIME LAG,GLA
	<b>AH90-10608A</b>	<b>ASSY-MAIN PCB;DV350KV,CHN</b>	
EQ1	0504-000154	TR-DIGITAL	;PNP,200MW,10K-10KOHM,SOT
EIC1	1204-000204	IC-SOUND PROCESSOR	;M65844P,DIP,14P,
JW398	2001-000290	R-CARBON	;10KOHM,5%,1 / 8W,AA,TP,1.8X3
JE3,6,7	2007-000029	R-CHIP	;0OHM,5%,1 / 10W,DA,TP,2012
ER1,2,3,6,7,8	2007-000409	R-CHIP	;15KOHM,5%,1 / 10W,DA,TP,2012
ER5E	2007-000457	R-CHIP	;18KOHM,5%,1 / 10W,DA,TP,2012
ER5D	2007-000653	R-CHIP	;27KOHM,5%,1 / 10W,DA,TP,2012
ER10,11	2007-000778	R-CHIP	;33KOHM,5%,1 / 10W,DA,TP,2012
ER4	2007-000781	R-CHIP	;33OHM,5%,1 / 10W,DA,TP,2012
ER9A,9B	2007-000941	R-CHIP	;47KOHM,5%,1 / 10W,DA,TP,2012
ER5H	2007-001039	R-CHIP	;56KOHM,5%,1 / 10W,DA,TP,2012
JE1	2007-001071	R-CHIP	;6.8KOHM,5%,1 / 10W,DA,TP,2012
EC4,10,13	2203-000192	C-CERAMIC,CHIP	;100NF,+80-20%,50V,Y5
EC12	2203-000239	C-CERAMIC,CHIP	;100PF,5%,50V,NPO,201
EC2,9	2203-000260	C-CERAMIC,CHIP	;10NF,10%,50V,X7R,201
EC3	2203-000495	C-CERAMIC,CHIP	;2.2NF,10%,50V,X7R,20
EC8	2203-000891	C-CERAMIC,CHIP	;4.7NF,10%,50V,X7R,20
EC58,59	2401-000600	C-AL	;1UF,20%,50V,GP,5*11,2MM,
EC56,60	2401-001572	C-AL	;47UF,20%,50V,GP,6.3*11,2.5MM,
EC55,57	2401-001914	C-AL	;1UF,20%,50V,GP,5X11MM,5MM,TP
JW395C	2701-000191	INDUCTOR-AXIAL	;47UH,10%,2.5X3.4MM
	B4004-0416	IC-LOGIC	;MC14052BCP DIP STICK 16P
MD1,2,3,4,5,6,7,VD1,2,3	0401-000005	DIODE-SWITCHING	;1N4148,100V,200MA,5
XD1,2,5,GL1,TD1			
SD2,LD3,MD52,XZD50B			
VZD2,VZD1	0403-000342	DIODE-ZENER	;UZ3.6BSA,3.6V,3.47-3.68
SZD1	0403-000344	DIODE-ZENER	;UZ3.9B,3.9V,3.7-4.1V,50
XZD1,SD1	0403-000354	DIODE-ZENER	;UZ5.1B,5.1V,4.8-5.4V,50
XD3,4	0405-000122	DIODE-VARACTOR	;1SV70A,30V,10NA,DO-3
VVC1	0405-000140	DIODE-VARACTOR	;SVC321SP,-15V,-100NA
SQ11,14,15,VQ28,6,16,22,3	0501-000314	TR-SMALL SIGNAL	;KSA812,PNP,-60V,-50
VQ17,20,21,10,4,25			
VQ24			
VQ18,XQ1,2,SQ19,VQ19B,B	0501-000341	TR-SMALL SIGNAL	;KSC1623,NPN,60V,50V
XQ6,10,11,VQ1,19,29,30,9			
VQ2,7,12,13,14,15,27,31			
VQ18,XQ1,2,SQ19,VQ19B			
VQA			
SQ1	0502-000001	TR-POWER	;MJE171,PNP,-80V,-60V,-3A,1
MQ1A	0504-000127	TR-DIGITAL	;NPN,200MW,10K-10KOHM,SOT
SQ5,6,7,13A,18,20,14A,31	0504-000128	TR-DIGITAL	;NPN,200MW,22K-22KOHM,SOT
MQ2.TQ3,4,5,5A,VQ8			
VQ10A,11	0504-000129	TR-DIGITAL	;NPN,200MW,47K-47KOHM,SOT
MQ1,6,8,VQ32	0504-000154	TR-DIGITAL	;PNP,200MW,10K-10KOHM,SOT

Loc No	Parts No	Description	Specification
SQ7,16,17,MQ3,4,XQ3,4,5 SQ138,17A VQ5	0504-000156 0504-000158	TR-DIGITAL TR-DIGITAL	;PNP,200MW,22K-22KOHM,SOT ;PNP,200MW,47K-47KOHM,SOT
TQ1,39	0505-000191	FET-SILICON	;2SK184Y,N200MW,T
MD8,9	0601-000146	LED	;ROUND,GRN,3.1MM,563NM
MIC2,3	0801-000278	IC-CMOS LOGIC	;4094B,SHIFT REGISTER,
XIC8	0904-000158	IC-DSP	;9283,-,QFP,80P,-,16.9344MHZ,
XIC9	1002-000169	IC-D / A CONVERTER	;PCM1710U,16BIT,SOP
SR80	11119-101-202	R-CHIP	;SCR2012 202J
SR3C	11119-101-271	R-CHIP	;MCR10,2012S 270-J
SR31,33	11119-101-394	R-CHIP	;SCR2012S 390K-J
SC69,VC2	11129-001-151	C-CHIP,CERAMIC	;CC2012 COG 151J T
SC77,83	11129-004-333	C-CHIP CERAMIC	;CC 2012 X7R 333K T
SC90,XC58,70,71,77,38,VC32	11129-004-473	C-CHIP,CERAMIC	;CC 2012 X7R 473K T
XC57,60,72,75,VC27	11129-008-221	C-CHIP CERAMIC	;CC 2012 COG 221J T
SIC2,3,TIC1,3	1201-000163	IC-OP AMP	;4560,SOP,8P,150MIL,DUAL,1
XIC6	1204-000109	IC-ASP	;KA9401,QFP,80P,-,PLASTIC,6V,
SIC6	1204-000218	IC-SSP	;KA9421,QFP,100P,-,PLASTIC,6V
VIC2	1204-000241	IC-VSP	;KA9413,QFP,100P,-,PLASTIC,6V
VIC3	1204-000242	IC-VSP	;KA9414D,SOP,30P,-,PLASTIC,6V
TIC2	12119-101-520	IC-PHASECOMPARATOR	;TC5081AP
XIC3,4	12119-401-220	IC-CMOS AN / SW	;NJU4053BD
SR6	2001-000020	R-CARBON(S)	;22OHM,5%,1 / 2W,AA,TP,2.4
MR13A	2001-000027	R-CARBON	;100OHM,5%,1 / 4W,AA,TP,2.4X6
VR145	2001-000118	R-CARBON(S)	;180OHM,5%,1 / 2W,AA,TP,2.
JW206	2001-000241	R-CARBON	;1.5KOHM,5%,1 / 8W,AA,TP,1.8X
SR10	2001-000258	R-CARBON	;1.8KOHM,5%,1 / 8W,AA,TP,1.8X
SR2,5,MR6,JW242A	2001-000290	R-CARBON	;10KOHM,5%,1 / 8W,AA,TP,1.8X3
SR20	2001-000319	R-CARBON	;120KOHM,5%,1 / 8W,AA,TP,1.8X
VR143,141,142,TR32,VR47A GR11,12,13,14,TR32A,ER20 VR139A,JW400	2001-000429	R-CARBON	;1KOHM,5%,1 / 8W,AA,TP,1.8X3.
SR15,19,VR142A	2001-000449	R-CARBON	;2.2KOHM,5%,1 / 8W,AA,TP,1.8X
SR17	2001-000515	R-CARBON	;220OHM,5%,1 / 8W,AA,TP,1.8X3
TR25	2001-000527	R-CARBON	;220OHM,5%,1 / 8W,AA,TP,1.8X3.
SR9	2001-000591	R-CARBON	;3.3KOHM,5%,1 / 8W,AA,TP,1.8X
SR8Y	2001-000613	R-CARBON	;3.9KOHM,5%,1 / 8W,AA,TP,1.8X
TR28	2001-000702	R-CARBON	;39KOHM,5%,1 / 8W,AA,TP,1.8X3
VR140	2001-000734	R-CARBON	;4.7KOHM,5%,1 / 8W,AA,TP,1.8X
XR150A	2001-000780	R-CARBON	;470OHM,5%,1 / 8W,AA,TP,1.8X3
SR8,XR4	2001-000786	R-CARBON	;47KOHM,5%,1 / 8W,AA,TP,1.8X3
MR13,14	2001-000812	R-CARBON	;5.6KOHM,5%,1 / 8W,AA,TP,1.8X
SR21,22	2001-000890	R-CARBON	;6.8KOHM,5%,1 / 8W,AA,TP,1.8X
MR12A	2001-000938	R-CARBON	;68OHM,5%,1 / 8W,AA,TP,1.8X3.
VR147,146	2001-000969	R-CARBON	;75OHM,5%,1 / 8W,AA,TP,1.8X3.
SR13	2001-001000	R-CARBON	;82KOHM,5%,1 / 8W,AA,TP,1.8X3
XR47,50	2001-001006	R-CARBON	;82OHM,5%,1 / 8W,AA,TP,1.8X3.
SR1	2001-001035	R-CARBON	;91OHM,5%,1 / 8W,AA,TP,1.8X3.
SR11,12	2001-001096	R-CARBON(S)	;2.2OHM,5%,1 / 2W,AA,TP,2.
SR48,106,108,TR40,42,22,18	2007-000001	R-CHIP	;68KOHM,5%,1 / 10W,DA,TP,2012
SR8F,VR71,1,33	2007-000030	R-CHIP	;560OHM,5%,1 / 10W,DA,TP,2012
SR126,TR30	2007-000068	R-CHIP	;470KOHM,5%,1 / 10W,DA,TP,2012

Loc No	Parts No	Description	Specification
SR109,XR108,VR68,109,13 VR110	2007-000221	R-CHIP	;1.2KOHM,5%,1 / 10W,DA,TP,2012
VR18D	2007-000225	R-CHIP	;1.2MOHM,5%,1 / 10W,DA,TP,2012
SR90,XR84,30,26 VR59,20,77,XR100	2007-000241	R-CHIP	;1.5KOHM,5%,1 / 10W,DA,TP,2012
SR86,88,46,VR82	2007-000267	R-CHIP	;1.8KOHM,5%,1 / 10W,DA,TP,2012
SR124,142,146,TR3,33 XR83,98,115,116 VR37,36A,XR21,11	2007-000282	R-CHIP	;100KOHM,5%,1 / 10W,DA,TP,2012
SR45,83,161,XR16,12,20,15 VR5,3,114,111,74A	2007-000290	R-CHIP	;100OHM,5%,1 / 10W,DA,TP,2012
SR8F,95,102,123,136,158 SR32,36,MR4,5,VRC TR23,27,35,XR34A,VR57 XR28,51A,VR58,86,85,TR31B	2007-000300	R-CHIP	;10KOHM,5%,1 / 10W,DA,TP,2012
SR67,72,73,103	2007-000308	R-CHIP	;10OHM,5%,1 / 10W,DA,TP,2012
SR121	2007-000338	R-CHIP	;120KOHM,5%,1 / 10W,DA,TP,2012
SR118,VR124	2007-000355	R-CHIP	;12KOHM,5%,1 / 10W,DA,TP,2012
SR117,119,120,144,151 XR88,89	2007-000395	R-CHIP	;150KOHM,5%,1 / 10W,DA,TP,2012
VR51	2007-000401	R-CHIP	;150OHM,5%,1 / 10W,DA,TP,2012
SR85,114,131,168,169,55,VR60 TR4,6,16,31,XR82,94,VR7,73	2007-000409	R-CHIP	;15KOHM,5%,1 / 10W,DA,TP,2012
SR43	2007-000444	R-CHIP	;180KOHM,5%,1 / 10W,DA,TP,2012
VR88	2007-000449	R-CHIP	;180OHM,5%,1 / 10W,DA,TP,2012
SR68,74,76,154,TR26	2007-000457	R-CHIP	;18KOHM,5%,1 / 10W,DA,TP,2012
SR8D,66,122,127,125,166 VR74,70,29,84,66,64,115,56 VR116,129,126,130,128,117,102A VR11,83,81,93,120,120A,120D VR17,25,127,XR106,13,22,104,105 XR113,114,TR40A,MR5A,5B	2007-000468	R-CHIP	;1KOHM,5%,1 / 10W,DA,TP,2012
SR63,66A,VR99B,103			
SR105,MR2	2007-000477	R-CHIP	;1MOHM,5%,1 / 10W,DA,TP,2012
SR60,89,111,132,MR9,10,11 VR36,65,63,46,10,112 XR61,80,99,112,134A VR14,49B,SR92,90B	2007-000493	R-CHIP	;2.2KOHM,5%,1 / 10W,DA,TP,2012
VR105	2007-000493	R-CHIP	;2.2KOHM,5%,1 / 10W,DA,TP,2012
VR19	2007-000511	R-CHIP	;2.4KOHM,5%,1 / 10W,DA,TP,2012
SR82,140,44,VR30,91,89	2007-000518	R-CHIP	;2.7KOHM,5%,1 / 10W,DA,TP,2012
SR129,134,156,XR123 SR133	2007-000565	R-CHIP	;220KOHM,5%,1 / 10W,DA,TP,2012
SR57,MR4A,VR4,92,87	2007-000572	R-CHIP	;220OHM,5%,1 / 10W,DA,TP,2012
SR62,69,70,98,101,155,110 SR163,TR2,VR75,8,76 XR57,95,134	2007-000586	R-CHIP	;22KOHM,5%,1 / 10W,DA,TP,2012
TR15	2007-000635	R-CHIP	;270KOHM,5%,1 / 10W,DA,TP,2012
SR112,115,116,145,170 TR7,8,XR31,36A,SR143 XR97,93,TR10	2007-000653	R-CHIP	;27KOHM,5%,1 / 10W,DA,TP,2012
XR49,121,122,36,39,33,34,VR31 SR47,8A,56,58,107,138,160 VR98,45,21	2007-000686	R-CHIP	;3.3KOHM,5%,1 / 10W,DA,TP,2012

Loc No	Parts No	Description	Specification
SR91,164	2007-000703	R-CHIP	;3.6KOHM,5%,1 / 10W,DA,TP,2012
VR135,131,XR76,62,VR15	2007-000710	R-CHIP	;3.9KOHM,5%,1 / 10W,DA,TP,2012
SR81,VR41,37,44,42,43	2007-000766	R-CHIP	;330OHM,5%,1 / 10W,DA,TP,2012
VR39,38,79,40, SR159			
SR78,96,148,90A,TR13	2007-000774	R-CHIP	;33KOHM,5%,1 / 10W,DA,TP,2012
XR90,R22B			
SR87	2007-000798	R-CHIP	;360OHM,5%,1 / 10W,DA,TP,2012
SR135,TR29	2007-000804	R-CHIP	;36KOHM,5%,1 / 10W,DA,TP,2012
SR71,84,139	2007-000830	R-CHIP	;39KOHM,5%,1 / 10W,DA,TP,2012
TR17,24,VR19			
SR100,XR24,23,25,51, MR20	2007-000872	R-CHIP	;4.7KOHM,5%,1 / 10W,DA,TP,2012
XR14,VR12,67,72,SR153			
XR102,103,VR69,136,XR75			
SR61,77,8B,XR109,17,19	2007-000931	R-CHIP	;470OHM,5%,1 / 10W,DA,TP,2012
VR119,94,132,78,90,34,121			
SR62A,VR54,55			
SR113,130,137,18,MR7,8	2007-000941	R-CHIP	;47KOHM,5%,1 / 10W,DA,TP,2012
TR1,34,18,XR79,86,101,56			
XR122A			
SR94,XR111,MR12B	2007-000947	R-CHIP	;47OHM,5%,1 / 10W,DA,TP,2012
SR141,161	2007-000981	R-CHIP	;5.6KOHM,5%,1 / 10W,DA,TP,2012
MR5E ,VR68B,68A,134,109A			
SR147,,157,TR21	2007-001039	R-CHIP	;56KOHM,5%,1 / 10W,DA,TP,2012
SR99,VR62			
SR65,152,79,TR9,VR6,TR20	2007-001071	R-CHIP	;6.8KOHM,5%,1 / 10W,DA,TP,2012
XR81,85,92,96,107,60,69			
SR59,XR91,VR2	2007-001118	R-CHIP	;680OHM,5%,1 / 10W,DA,TP,2012
SR59,XR91,VR2	2007-001133	R-CHIP	;68OHM,5%,1 / 10W,DA,TP,2012
SR93,VR12	2007-001155	R-CHIP	;750OHM,5%,1 / 10W,DA,TP,2012
VR50	2007-001166	R-CHIP	;75OHM,5%,1 / 10W,DA,TP,2012
SR30,34	2007-001195	R-CHIP	;820KOHM,5%,1 / 10W,DA,TP,2012
VR35,27,50,XR43	2007-001201	R-CHIP	;820OHM,5%,1 / 10W,DA,TP,2012
SR75,151,XR87	2007-001208	R-CHIP	;82KOHM,5%,1 / 10W,DA,TP,2012
XR110	2007-001216	R-CHIP	;82OHM,5%,1 / 10W,DA,TP,2012
XR63,71,VR20B	2007-001239	R-CHIP	;910OHM,5%,1 / 10W,DA,TP,2012
SVR4,5,6	2103-000171	VR-SEMI	;10KOHM,30%,1 / 10W,TOP
SVR3	2103-000210	VR-SEMI	;1KOHM,30%,1 / 10W,TOP
SVR1	2103-000290	VR-SEMI	;20KOHM,30%,1 / 10W,TOP
SVR7	2103-000435	VR-SEMI	;500OHM,30%,1 / 10W,TOP
VVR1,VVR2	2103-000461	VR-SEMI	;50KOHM,30%,1 / 10W,TOP
SVR2	2103-000492	VR-SEMI	;5KOHM,30%,1 / 10W,TOP
SC17	2202-000216	C-CERAMIC,MLC-AXIAL	;27PF,5%,50V,SL,
MC3,4A	2202-000780	C-CERAMIC,MLC-AXIAL	;100NF,+80-20%,5
SC18	2202-000781	C-CERAMIC,MLC-AXIAL	;100PF,10%,50V,Y
SC4,6,XC23,24,VC47Y	2202-000785	C-CERAMIC,MLC-AXIAL	;10NF,20%,16V,Y5
VC68Z	2202-000819	C-CERAMIC,MLC-AXIAL	;47NF,+80-20%,50
XC61,74,VC28,29	2203-000142	C-CERAMIC,CHIP	;1.5NF,10%,50V,X7R,20
SC22,43,50,51,57,61,UC01A	2203-000192	C-CERAMIC,CHIP	;100NF,+80-20%,50V,Y5
XC50,51,VC59,84,33,34,42			
VC57,61,DC15,100,101,104A			
MC7A,10A,VC34A,SC88,8			
DC100,JC95,98,99,REC1			
XC67,VC52B,SC15	2203-000239	C-CERAMIC,CHIP	;100PF,5%,50V,NPO,201
SC58,62,71,72,73,79,80,78	2203-000260	C-CERAMIC,CHIP	;10NF,10%,50V,X7R,201



Loc No	Parts No	Description	Specification
SC81,84,XC31,68,69,78,81			
MC6,7,10,11,TC23,32,33,25			
VC55,56,30,35,18,19,20,XC78A			
VC24,11,53,43,49,47,46,51,31			
VC58,TC35,SC9			
SC53,59A,59B,VC47A	2203-000295	C-CERAMIC,CHIP	;10PF,5%,50V,NPO,2012
SC63,VC10,52A,22	2203-000316	C-CERAMIC,CHIP	;120PF,5%,50V,NPO,201
SC82,87,75,TC26,29	2203-000323	C-CERAMIC,CHIP	;12NF,10%,50V,X7R,201
VC38,45	2203-000335	C-CERAMIC,CHIP	;12PF,5%,50V,NPO,2012
XC65	2203-000342	C-CERAMIC,CHIP	;130PF,5%,50V,NPO,321
SC76	2203-000374	C-CERAMIC,CHIP	;15NF,10%,50V,X7R,201
MC8,9,VC14A,XC79,VC52F	2203-000391	C-CERAMIC,CHIP	;15PF,5%,50V,NPO,3216
VC54,47Z	2203-000408	C-CERAMIC,CHIP	;180PF,5%,50V,NPO,201
XC56,VC36,48	2203-000429	C-CERAMIC,CHIP	;18PF,5%,50V,NPO,2012
SC52,XC49,54,59,64,VC50,41,21	2203-000444	C-CERAMIC,CHIP	;1NF,10%,50V,X7R,2012
SC91,VC60,44	2203-000495	C-CERAMIC,CHIP	;2.2NF,10%,50V,X7R,20
XC52	2203-000533	C-CERAMIC,CHIP	;2.7NF,10%,50V,X7R,20
XC55	2203-000555	C-CERAMIC,CHIP	;20PF,5%,50V,NPO,2012
VC80A,SC39	2203-000609	C-CERAMIC,CHIP	;22NF,10%,50V,X7R,201
XC80,VC6,52A,52B,52	2203-000634	C-CERAMIC,CHIP	;22PF,5%,50V,NPO,2012
VC4	2203-000661	C-CERAMIC,CHIP	;270PF,5%,50V,NPO,201
SC91A	2203-000716	C-CERAMIC,CHIP	;3.3NF,10%,50V,X7R,20
SC68	2203-000727	C-CERAMIC,CHIP	;3.9NF,10%,50V,X7R,20
VC7A	2203-000749	C-CERAMIC,CHIP	;30PF,5%,50V,NPO,2012
SC60	2203-000784	C-CERAMIC,CHIP	;330PF,5%,50V,NPO,201
VC26,25,15,7,SC6Z	2203-000818	C-CERAMIC,CHIP	;33PF,5%,50V,NPO,2012
VC5	2203-000839	C-CERAMIC,CHIP	;390PF,5%,50V,NPO,201
XC66,SC6A	2203-000858	C-CERAMIC,CHIP	;39PF,5%,50V,NPO,2012
VC13,16	2203-000882	C-CERAMIC,CHIP	;3PF,5%,50V,NPO,2012,
SC65,86,XC53,63	2203-000891	C-CERAMIC,CHIP	;4.7NF,10%,50V,X7R,20
TC20,21,30	2203-000953	C-CERAMIC,CHIP	;470PF,5%,50V,NPO,201
SC54,VC17,12,1	2203-001007	C-CERAMIC,CHIP	;47PF,5%,50V,NPO,3216
SC70	2203-001035	C-CERAMIC,CHIP	;5.6NF,10%,50V,X7R,20
SC66,VC62,SC85	2203-001058	C-CERAMIC,CHIP	;560PF,5%,50V,NPO,201
SC67,XC62,73,VC63,8,9,VC14	2203-001077	C-CERAMIC,CHIP	;56PF,5%,50V,NPO,2012
SC55	2203-001105	C-CERAMIC,CHIP	;6.8NF,10%,50V,X7R,20
TC24	2203-001132	C-CERAMIC,CHIP	;680PF,5%,50V,NPO,201
TC31,VC40	2203-001137	C-CERAMIC,CHIP	;68NF,+80-20%,50V,Y5V
SC14,16,59,XC37A,VC52C	2203-001158	C-CERAMIC,CHIP	;68PF,5%,50V,NPO,2012
SC74,XC32,76,35,44	2203-001214	C-CERAMIC,CHIP	;8.2NF,10%,50V,X7R,20
XC37,45	2203-001230	C-CERAMIC,CHIP	;820PF,5%,50V,NPO,201
VC13	2203-001245	C-CERAMIC,CHIP	;82PF,5%,50V,NPO,2012
SC29,41,TC4,12	2301-000218	C-FILM,PEF	;220NF,5%,50V,-,TP
TC5,10	2301-000389	C-FILM,PEF	;150NF,5%,50V,12.5X15X7.5
TC3	2301-000403	C-FILM,PEF	;2.2NF,10%,50V,5.5X12X3,3
TC8	2301-000459	C-FILM,PEF	;56NF,5%,50V,9.5X12.5X5,6
SC25,38	2303-000312	C-FILM,PPF	;100NF,1%,50V,7.5*12.5*3.
SC23,24,XC76B	2401-000240	C-AL	;100UF,20%,10V,GP,6*11MM,5MM,TP
DC10,11, VC65A,98	2401-000270	C-AL	;100UF,20%,16V,GP,6.3*7,2.5MM,T
VC81,82,78,90,91,75,76,77	2401-000273	C-AL	;100UF,20%,16V,GP,6.3X11,2.5MM,
VC80,73,65,95,99,SC33			
TC2,7,15,SC12A,VC86,67,68			
VC69,72	2401-000410	C-AL	;10UF,20%,16V,GP,4*7,-,TP
XC13,16,SC26,VC83,87,88,93,85	2401-000415	C-AL	;10UF,20%,16V,GP,5*11,2MM,

Loc No	Parts No	Description	Specification
SC3,44,VC79,DC13,103	2401-000600	C-AL	;1UF,20%,50V,GP,5*11,2MM,
MC1A	2401-000658	C-AL	;2.2UF,20%,50V,GP,5*11,2MM,
VC70,71,70A,66	2401-000778	C-AL	;220UF,20%,10V,GP,6.3X11,2.5MM,
XC19,20,22	2401-000805	C-AL	;220UF,20%,16V,GP,8*11.5,3.5MM,
XC2,3,4,11,14,15,17,18	2401-000907	C-AL	;22UF,20%,16V,GP,5*11,2MM,
SC2,VC74,DC102,104			
SC12,13,19,XC38A,76A,TC12A	2401-001266	C-AL	;4.7UF,20%,50V,GP,5*11,2MM,
SC32,XC12	2401-001326	C-AL	;470NF,20%,50V,GP,4*7,1.5MM,TP
XC1,2A,VC96,97,XC25	2401-001351	C-AL	;470UF,20%,10V,GP,8X11.5,-,
TC16, MC160A	2401-001494	C-AL	;47UF,20%,16V,GP,5*11,2MM,
SC7,SC10	2401-001529	C-AL	;47UF,20%,25V,GP,5*11,2MM,
MC4	2401-001881	C-AL	;1000UF,20%,10V,GP,10X12MM,5MM,
VC89	2401-001891	C-AL	;100UF,20%,10V,GP,6X11MM,5MM,TP
SC35,36,42,TC11,SC37	2401-001907	C-AL	;10UF,20%,16V,GP,5X11MM,5MM,TP
SC5,20,21,40	2401-001914	C-AL	;1UF,20%,50V,GP,5X11MM,5MM,TP
SC28	2401-001936	C-AL	;22UF,20%,16V,GP,5X11MM,5MM,TP
SC31	2401-001989	C-AL	;4.7UF,20%,50V,GP,5*11MM,5MM,TP
SC30	2401-001991	C-AL	;2.2UF,20%,50V,GP,5*11MM,5MM,TP
SC34	2401-001995	C-AL	;470NF,20%,50V,BP,5X11MM,5MM,TP
VCTC1	2502-000127	C-CERAMIC TRIMMER	;20-4.6PF,+50-0%,1
VL11	2701-000111	INDUCTOR-AXIAL	;100UH,10%,2.5X3.4MM
VL10,14,ML1A,SL1,VL13Z	2701-000114	INDUCTOR-AXIAL	;10UH,10%,2.5X3.4MM
VL2,3,4	2701-000120	INDUCTOR-AXIAL	;12UH,10%,2.5X3.4MM
SL2,4	2701-000123	INDUCTOR-AXIAL	;150UH,10%,2.5X3.4MM
SL3	2701-000134	INDUCTOR-AXIAL	;180UH,10%,4.2X9.8MM
VL13,13A,13B,ML5B,VL6,GL1A	2701-000159	INDUCTOR-AXIAL	;22UH,10%,4.2X9.8MM
VL12,5	2701-000166	INDUCTOR-AXIAL	;3.3UH,10%,2.5X3.4MM
VL1	2701-000177	INDUCTOR-AXIAL	;33UH,10%,2.5X3.4MM
XL2,VL7	2701-000191	INDUCTOR-AXIAL	;47UH,10%,2.5X3.4MM
XL3,ML4,5,VL8	2701-000205	INDUCTOR-AXIAL	;56UH,10%,2.5X3.4MM
VX1	2801-001420	CRYSTAL-UNIT	;14.31818MHZ,30PPM,28-A
XX1	2801-001423	CRYSTAL-UNIT	;16.9344MHZ,17PPM,28-AA
VX2	2801-001427	CRYSTAL-UNIT	;24.576MHZ,30PPM,28-AAM
MX1	2802-000108	RESONATOR-CERAMIC	;12MHZ,0.5%,BK,10.
XFL1	2909-000157	FILTER-LC	;2.3 / 2.81MHZ,+50KHZ,3DB,3
SW1,2,4,5,7	3404-000157	SWITCH-TACT	;12V,50MA,160GF+-50GF,-,
SCW1	3708-000266	CONNECTOR-FPC/FC/PIC	;32P,1.25MM,STR
TCW1	3711-000629	CONNECTOR-HEADER	;BOX,11P,1R,2.5MM,-
TCW2	3711-000678	CONNECTOR-HEADER	;BOX,13P,1R,2.5MM,S
TCW3	3711-000724	CONNECTOR-HEADER	;BOX,15P,1R,2MM,STR
TCW4	3711-001018	CONNECTOR-HEADER	;BOX,5P,1R,2MM,STRA
VIC1	A4012-0208	IC-LINEAR	;KS0118 QFP GENLOCK
FLT	AH07-20002F	V.F.DISPLAY	;SVA-9BS06,-,107.5*29*6.
MCW1	AH39-20004N	LEAD-CONNECTOR ASSY	;51004,-,5P,200
XCW3	AH39-20008M	LEAD-CONNECTOR ASSY	;5264,5395,2P,1
XCW4	AH39-20021F	LEAD-CONNECTOR ASSY	;51004,5295,7P,
NCW1	AH39-20022C	LEAD-CONNECTOR ASSY	;51004,35023,2P
XCW1	AH39-20022N	LEAD-CONNECTOR ASSY	;5264,5295,10P,
TCW4	AH39-20024W	LEAD-CONNECTOR ASSY	;51004,50011,5P
EYE	AH59-60001F	MODULE-REMOCON	;ORC-638V,38KHZ,-,MES
FLT	AH63-70020A	SHEET-HYMERON	;HYMERON,T0.2,L100,W10
SIC4,5	B4008-0683	IC-DRIVE	;LA6510 SIP

Loc No	Parts No	Description	Specification
<b>AH90-40135C ASSY-OPT PCB;DV532KV,-,</b>			
NQ01	0501-000341	TR-SMALL SIGNAL	;KSC1623,NPN,60V,50V
NR11	11119-101-394	R-CHIP	;SCR2012S 390K-J
NC07,08	11129-004-473	C-CHIP,CERAMIC	;CC 2012 X7R 473K T
PAL	2001-000290	R-CARBON	;10KOHM,5%,1/8W,AA,TP,1.8X3
NR02,04,14	2007-000267	R-CHIP	;1.8KOHM,5%,1/10W,DA,TP,2012
NR05	2007-000282	R-CHIP	;100KOHM,5%,1/10W,DA,TP,2012
NR07	2007-000300	R-CHIP	;10KOHM,5%,1/10W,DA,TP,2012
NR09,16	2007-000409	R-CHIP	;15KOHM,5%,1/10W,DA,TP,2012
NR10	2007-000444	R-CHIP	;180KOHM,5%,1/10W,DA,TP,2012
NR03	2007-000457	R-CHIP	;18KOHM,5%,1/10W,DA,TP,2012
NR15,17,20,21,22,23,24	2007-000468	R-CHIP	;1KOHM,5%,1/10W,DA,TP,2012
NR19	2007-000653	R-CHIP	;27KOHM,5%,1/10W,DA,TP,2012
NR06	2007-000710	R-CHIP	;3.9KOHM,5%,1/10W,DA,TP,2012
NR08,18	2007-000872	R-CHIP	;4.7KOHM,5%,1/10W,DA,TP,2012
NR01	2007-000931	R-CHIP	;470OHM,5%,1/10W,DA,TP,2012
NR13	2007-001071	R-CHIP	;6.8KOHM,5%,1/10W,DA,TP,2012
NR12	2007-001177	R-CHIP	;8.2KOHM,5%,1/10W,DA,TP,2012
NVR3	2103-000171	VR-SEMI	;10KOHM,30%,1/10W,TP
NVR2	2103-000210	VR-SEMI	;1KOHM,30%,1/10W,TP
NVR5	2103-000290	VR-SEMI	;20KOHM,30%,1/10W,TP
NVR4	2103-000435	VR-SEMI	;500OHM,30%,1/10W,TP
NVR1	2103-000492	VR-SEMI	;5KOHM,30%,1/10W,TP
NC30A	2202-000785	C-CERAMIC,MLC-AXIAL	;10NF,20%,16V,Y5
NC04,06,12,14,15	2203-000192	C-CERAMIC,CHIP	;100NF,+80-20%,50V,Y5
NC05,09,11,13	2203-000260	C-CERAMIC,CHIP	;10NF,10%,50V,X7R,201
NC32Z	2203-000316	C-CERAMIC,CHIP	;120PF,5%,50V,NPO,201
NC11A	2203-000408	C-CERAMIC,CHIP	;180PF,5%,50V,NPO,201
NC02	2203-000429	C-CERAMIC,CHIP	;18PF,5%,50V,NPO,2012
NC03	2203-000634	C-CERAMIC,CHIP	;22PF,5%,50V,NPO,2012
NC10	2203-000749	C-CERAMIC,CHIP	;30PF,5%,50V,NPO,2012
NC01	2203-001077	C-CERAMIC,CHIP	;56PF,5%,50V,NPO,2012
NC30	2401-000273	C-AL	;100UF,20%,16V,GP,6.3X11,2.5MM,
NC32,29	2401-000415	C-AL	;10UF,20%,16V,GP,5*11,2MM,
NC22	2401-000600	C-AL	;1UF,20%,50V,GP,5*11,2MM,
NC20	2401-000907	C-AL	;22UF,20%,16V,GP,5*11,2MM,
NC21	2401-001266	C-AL	;4.7UF,20%,50V,GP,5*11,2MM,
NC23,28	2401-001494	C-AL	;47UF,20%,16V,GP,5*11,2MM,
NC25,26,27	2401-001914	C-AL	;1UF,20%,50V,GP,5X11MM,5MM,TP
NC24	2401-001995	C-AL	;470NF,20%,50V,BP,5X11MM,5MM,TP
NCTC1	2502-000151	C-CERAMIC TRIMMER	;50-13.5PF,+50-0%,
VL14L,14N	2701-000114	INDUCTOR-AXIAL	;10UH,10%,2.5X3.4MM
NX2	2801-001432	CRYSTAL-UNIT	;3.579545MHZ,30PPM,28-A
NX1	2801-001436	CRYSTAL-UNIT	;4.433619MHZ,30PPM,28-A
SW8	3408-000250	SWITCH-SLIDE	;30V,300MA,SPDT,-
NFL4	B1146-0070	DELAY-LINE	;SEL-5620 600NS STICK
NIC1	B4008-0907	IC-VIDEO S/W	;NJM2233BM SOP
NIC3	B4012-0039	IC-LINEAR	;CXA1228S DIP NTSC/PAL DEC
NIC2	B4012-0040	IC-LINEAR	;CXA1229P DIP NTSC/PAL ENC

**AH90-40308A ASSY-MAIN PCB OPT;DV350KV,CHN**

LD1,2	0401-000005	DIODE-SWITCHING	;1N4148,100V,200MA,5
MQ5	0504-000128	TR-DIGITAL	;NPN,200MW,22K-22KOHM,SOT

Loc No	Parts No	Description	Specification
LR13,13S	2001-000429	R-CARBON	;1KOHM,5%,1/8W,AA,TP,1.8X3.
MR12	2007-001071	R-CHIP	;6.8KOHM,5%,1/10W,DA,TP,2012
LCW2	3711-001018	CONNECTOR-HEADER	;BOX,5P,1R,2MM,STRA
MIC1	AH11-10002F	IC-MASK ROM	;LC86P6232,-,DIP
LCW1	AH39-20024B	LEAD-CONNECTOR ASS'Y	;51004,5295,7P,
<b>AH90-10609A ASSY-FRONT PCB;DV350KV,CHN</b>			
FD1,2,3,4	0401-000005	DIODE-SWITCHING	;1N4148,100V,200MA,5
FQ2	0504-000119	TR-DIGITAL	;NPN,300MW,47K-47KOHM,
FD6,7	0601-000146	LED	;ROUND,GRN,3.1MM,563NM
FIC1,2,3	1201-000192	IC-OP AMP	;4558,SIP,9P,-,DUAL,20V/MV
FR3,8	2001-000010	R-CARBON	;68KOHM,5%,1/8W,AA,TP,1.8X3
FR17,18	2001-000273	R-CARBON	;100KOHM,5%,1/8W,AA,TP,1.8X
FR1,6,21,22,11A	2001-000290	R-CARBON	;10KOHM,5%,1/8W,AA,TP,1.8X3
FR29	2001-000429	R-CARBON	;1KOHM,5%,1/8W,AA,TP,1.8X3.
FR19	2001-000449	R-CARBON	;2.2KOHM,5%,1/8W,AA,TP,1.8X
FR4,9	2001-000591	R-CARBON	;3.3KOHM,5%,1/8W,AA,TP,1.8X
FR15A	2001-000645	R-CARBON	;330KOHM,5%,1/8W,AA,TP,1.8X
FR23,24,27,28	2001-000666	R-CARBON	;33OHM,5%,1/8W,AA,TP,1.8X3.
FR10,5	2001-000734	R-CARBON	;4.7KOHM,5%,1/8W,AA,TP,1.8X
FR2,7,20	2001-000780	R-CARBON	;470OHM,5%,1/8W,AA,TP,1.8X3
FR13	2001-001000	R-CARBON	;82KOHM,5%,1/8W,AA,TP,1.8X3
FVR2,3,4	2101-000198	VR-ROTARY	;20KOHM,20%,1/20W,SIDE
FVR1	2101-000206	VR-ROTARY	;20KOHM,30%,0.03W,SIDE
FC9	2202-000183	C-CERAMIC,MLC-AXIAL	;2.2NF,20%,16V,Y
FC11	2202-000295	C-CERAMIC,MLC-AXIAL	;68PF,5%,50V,SL,
FC13	2202-000718	C-CERAMIC,MLC-AXIAL	;3.9NF,20%,16V,Y
FC23,24	2202-000780	C-CERAMIC,MLC-AXIAL	;100NF,+80-20%,5
FC1,5	2202-000785	C-CERAMIC,MLC-AXIAL	;10NF,20%,16V,Y5
FC20,21	2202-000794	C-CERAMIC,MLC-AXIAL	;18PF,5%,50V,CH,
FC19A,19B	2202-000807	C-CERAMIC,MLC-AXIAL	;22NF,+80-20%,25
FJ20A	2202-000820	C-CERAMIC,MLC-AXIAL	;5.6NF,20%,16V,Y
FC2,6	2202-000829	C-CERAMIC,MLC-AXIAL	;820PF,10%,50V,Y
FC14	2301-000476	C-FILM,PEF	;82NF,10%,50V,10.5X12.5X6
FC25	2401-000273	C-AL	;100UF,20%,16V,GP,6.3X11,2.5MM,
FC19	2401-000415	C-AL	;10UF,20%,16V,GP,5*11,2MM,
FC4,8,12	2401-000600	C-AL	;1UF,20%,50V,GP,5*11,2MM,
FC3,7	2401-000907	C-AL	;22UF,20%,16V,GP,5*11,2MM,
FSW1,2,3,4	3404-000160	SWITCH-TACT	;12V,50MA,160GF+-50GF,6.
FJ1	3722-000345	JACK-PHONE	;3P,6.4MM,-,AG
FJ2,3	3722-000363	JACK-PHONE	;9P,6.4MM,-,AG
FCW1	AH39-20018R	LEAD-CONNECTOR ASS'Y	;51004,35023,15
"A"	AH39-50001F	LEAD-FASTEN	;1007#24,300MM,WHT
	AH61-20116A	HOLDER-LED	;ABS,94HB,BLK,-,DV-530K,
<b>AH90-40309A ASSY-FRONT PCB OPT;DV350KV,CHN</b>			
FSW7	3404-000160	SWITCH-TACT	;12V,50MA,160GF+-50GF,6.
TSW1,2,3,4,5,6,7,8,9,10	3404-000185	SWITCH-TACT	;12V,50MA,160GF+-50GF,6X
FSW6	3405-000157	SWITCH-MICRO	;5V,1MA,20GF,SPST
TCW1	3711-001101	CONNECTOR-HEADER	;BOX,7P,1R,2MM,ANGL

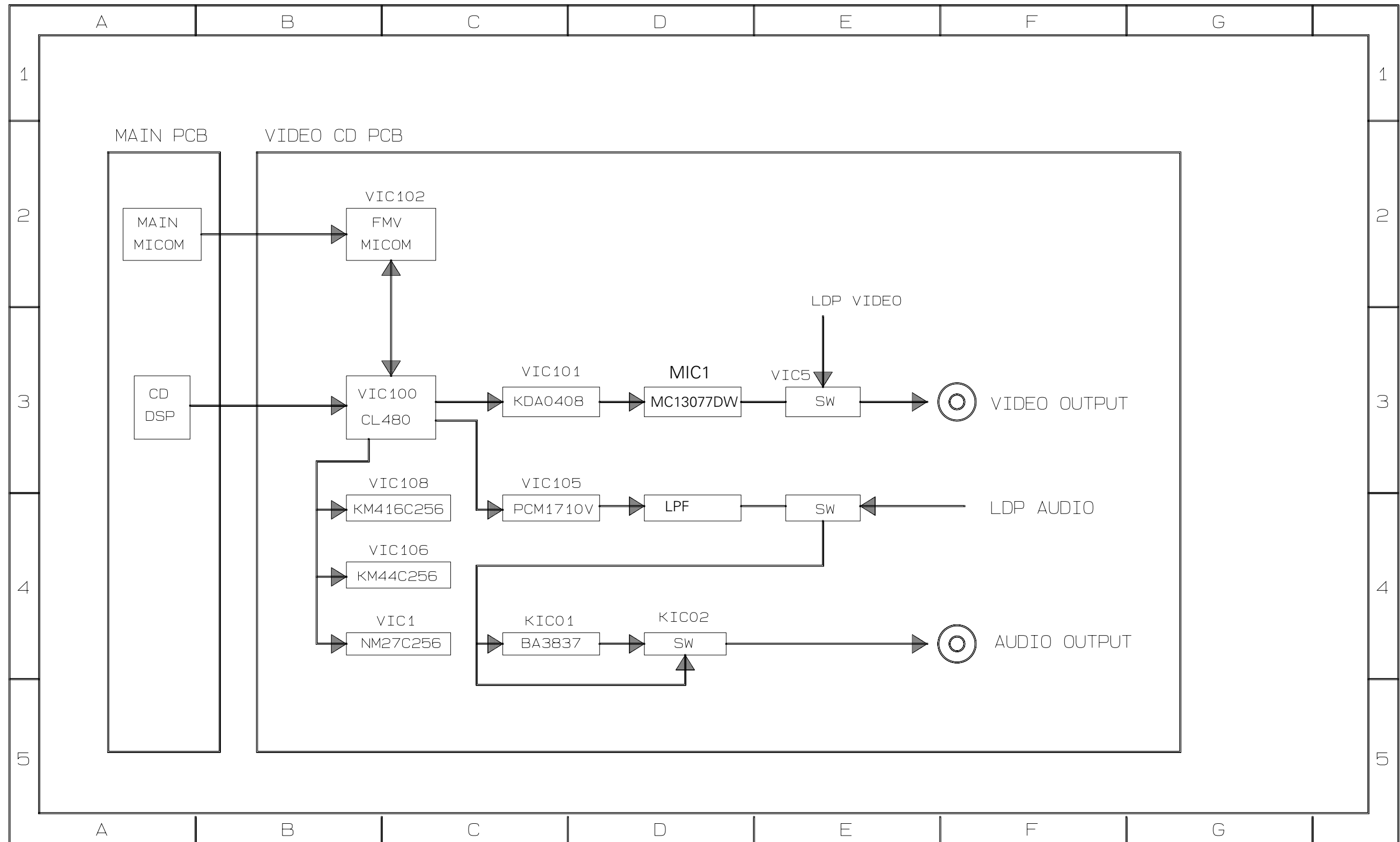
Loc No	Parts No	Description	Specification
<b>19129-0514-0M</b>		<b>ASSY-VIDEO CD PCB OPT;VCD-C3</b>	
VR17A,17B,KR9C,9D	2007-000290	R-CHIP	;100OHM,5%,1 / 10W,DA,TP,2012
VR40,40A	2007-000477	R-CHIP	;1MOHM,5%,1 / 10W,DA,TP,2012
VR69,72	2007-001166	R-CHIP	;75OHM,5%,1 / 10W,DA,TP,2012
VC14,15	2203-000429	C-CERAMIC,CHIP	;18PF,5%,50V,NPO,2012
VCW4	3711-000588	CONNECTOR-HEADER	;BOX,10P,1R,2.5MM,S
VIC4	3711-000820	CONNECTOR-HEADER	;BOX,2P,1R,2.5MM,-,
VCW6	3711-000827	CONNECTOR-HEADER	;BOX,2P,1R,2MM,STRA
VCW2,5	3711-001018	CONNECTOR-HEADER	;BOX,5P,1R,2MM,STRA
VCW1	3711-001102	CONNECTOR-HEADER	;BOX,7P,1R,2MM,STRA
VJ1	3722-000451	JACK-RCA	;9P / 6C,3.5MM,#16~22,SN
VIC15	B4004-0261	IC-LOGIC	;NJU4053BM SOP
VIC02	AH13-30005P	IC-MCU	;LC865032A-5937 DV532KV QFP B
<b>AH90-30460A</b>		<b>ASSY-VCD PCB COM;DV350KV,CHN</b>	
KD01,02	0401-001002	DIODE-SWITCHING	;1N4148M,100V,200MA,
VZD2,KD03	0403-000344	DIODE-ZENER	;UZ3.9B,3.9V,3.7-4.1V,50
VQ5,7	0501-000314	TR-SMALL SIGNAL	;KSA812,PNP,-60V,-50
VQ2,3,KQ1	0501-000341	TR-SMALL SIGNAL	;KSC1623,NPN,60V,50V
VIC3	0502-000425	TR-POWER	;2SD2395-F,NPN,60V,50V,3A,2
VQ6,KQ2, VMD1	0504-000156	TR-DIGITAL	;PNP,200MW,22K-22KOHM,SOT
VIC13	0801-000305	IC-CMOS LOGIC	;7SU04,INVERTER,SOP,5P
VIC3	0801-000442	IC-CMOS LOGIC	;74HCU04,INVERTER,SOP,
VIC105	1002-000169	IC-D / A CONVERTER	;PCM1710U,16BIT,SOP
VIC101	1002-000172	IC-D / A CONVERTER	;KDA0408,8BIT,QFP,4
VIC108	1105-000141	IC-DRAM	;416C256,256K*16BIT,SOJ,40P,
VIC106	1105-000156	IC-DRAM	;44C256C,256K*4BIT,SOJ,20P,3
VR44,45,46	11119-101-271	R-CHIP	;MCR10,2012S 270-J
KC18	11129-004-473	C-CHIP,CERAMIC	;CC 2012 X7R 473K T
VIC9,10,KIC2,3, KIC1	1201-000163	IC-OP AMP	;4560,SOP,8P,150MIL,DUAL,1
MIC1	1204-000143	IC-ENCODER	;MC13077,SOP,20P,-,PLASTI
VIC1	12109-401-920	IC-PROM(OTP)	;NMC27C256BN200
VR41	2007-000241	R-CHIP	;1.5KOHM,5%,1 / 10W,DA,TP,2012
KR38,41,42	2007-000282	R-CHIP	;100KOHM,5%,1 / 10W,DA,TP,2012
VR1,2,3,4,5,6,7,8	2007-000290	R-CHIP	;100OHM,5%,1 / 10W,DA,TP,2012
VR9,10,11,12,16,20,21			
VR22,23,27,28,29,30,31			
VR32,33,34,51,52,53,54			
VR100,101,102,139			
VR16A			
VR14,15,50	2007-000300	R-CHIP	;10KOHM,5%,1 / 10W,DA,TP,2012
KR1,5	2007-000355	R-CHIP	;12KOHM,5%,1 / 10W,DA,TP,2012
VR39	2007-000457	R-CHIP	;18KOHM,5%,1 / 10W,DA,TP,2012
VR17,47,64,83,131,138, KR40	2007-000468	R-CHIP	;1KOHM,5%,1 / 10W,DA,TP,2012
VR13,35	2007-000477	R-CHIP	;1MOHM,5%,1 / 10W,DA,TP,2012
VR87,87A,88,88A	2007-000572	R-CHIP	;220OHM,5%,1 / 10W,DA,TP,2012
KR37	2007-000586	R-CHIP	;22KOHM,5%,1 / 10W,DA,TP,2012
VR09,KR4,8	2007-000615	R-CHIP	;24KOHM,5%,1 / 10W,DA,TP,2012
KR35	2007-000635	R-CHIP	;270KOHM,5%,1 / 10W,DA,TP,2012
VR38	2007-000653	R-CHIP	;27KOHM,5%,1 / 10W,DA,TP,2012
VR42,36	2007-000686	R-CHIP	;3.3KOHM,5%,1 / 10W,DA,TP,2012
VR137A	2007-000766	R-CHIP	;330OHM,5%,1 / 10W,DA,TP,2012

Loc No	Parts No	Description	Specification
KR39	2007-000778	R-CHIP	;330KOHM,5%,1 / 10W,DA,TP,2012
VR137	2007-000822	R-CHIP	;390OHM,5%,1 / 10W,DA,TP,2012
VR58,59	2007-000872	R-CHIP	;4.7KOHM,5%,1 / 10W,DA,TP,2012
KR33,45,43A,46A			
VR9A,116	2007-000931	R-CHIP	;470OHM,5%,1 / 10W,DA,TP,2012
KR34,36	2007-000941	R-CHIP	;47KOHM,5%,1 / 10W,DA,TP,2012
VR89,VC114	2007-000981	R-CHIP	;5.6KOHM,5%,1 / 10W,DA,TP,2012
VR20A,21A,23A	2007-001039	R-CHIP	;56KOHM,5%,1 / 10W,DA,TP,2012
KR107,108	2007-001071	R-CHIP	;6.8KOHM,5%,1 / 10W,DA,TP,2012
KR32,43,44,46	2007-001177	R-CHIP	;8.2KOHM,5%,1 / 10W,DA,TP,2012
VR115	2007-001201	R-CHIP	;820OHM,5%,1 / 10W,DA,TP,2012
VR55,56,57,60,62,63	2007-001239	R-CHIP	;910OHM,5%,1 / 10W,DA,TP,2012
VC44,45	2203-000142	C-CERAMIC,CHIP	;1.5NF,10%,50V,X7R,20
VC1,2,10,13,16,17,18,19	2203-000206	C-CERAMIC,CHIP	;100NF,10%,50V,X7R,20
VC20,21,22,23,25,27,33			
VC37,70,37A			
VC100,101,102,109			
VC105,115	2203-000260	C-CERAMIC,CHIP	;10NF,10%,50V,X7R,201
VC09A,41,43,47,50,71			
KC21			
VC3,4,36	2203-000295	C-CERAMIC,CHIP	;10PF,5%,50V,NPO,2012
VC116	2203-000408	C-CERAMIC,CHIP	;180PF,5%,50V,NPO,201
KC15	2203-000417	C-CERAMIC,CHIP	;18NF,10%,50V,X7R,201
VC11,29,30	2203-000429	C-CERAMIC,CHIP	;18PF,5%,50V,NPO,2012
VC12,32	2203-000444	C-CERAMIC,CHIP	;1NF,10%,50V,X7R,2012
KC17	2203-000575	C-CERAMIC,CHIP	;220NF,10%,50V,X7R,20
VC42,49	2203-000716	C-CERAMIC,CHIP	;3.3NF,10%,50V,X7R,20
KC16	2203-000749	C-CERAMIC,CHIP	;30PF,5%,50V,NPO,2012
VC46,48	2203-001214	C-CERAMIC,CHIP	;8.2NF,10%,50V,X7R,20
VCE1,6,11,12,16,17	2401-000243	C-AL	;100UF,20%,10V,GP,6.3*5,2.5MM,T
VCE10,CKE7			
KCE1,3,17	2401-000407	C-AL	;10UF,20%,16V,GP,3.5*5,-,TP
VCE13,14,KCE2	2401-000588	C-AL	;1UF,20%,50V,GP,3*5,1MM,TP
VCE23,24,30	2401-000796	C-AL	;220UF,20%,16V,GP,10*9,-,TP
VCE8,KCE14,15	2401-000909	C-AL	;22UF,20%,16V,GP,5*5,2MM,TP
KCE8,9,16	2401-000909	C-AL	;22UF,20%,16V,GP,5*5,2MM,TP
VCE15,18	2401-001238	C-AL	;4.7UF,20%,25V,GP,3*5,1MM,TP
VTC1,2	2404-000190	C-TA,CHIP	;22UF,20%,16V,-,5832,-,TP
VL10,11	2701-000114	INDUCTOR-AXIAL	;10UH,10%,2.5X3.4MM
VL12	2703-000001	INDUCTOR-SMD	;10UH,10%,2.5X3.2X2MM
VXC1	2801-000286	CRYSTAL-UNIT	;40.5MHZ,50PPM,28-AAM,2
VXC3	2802-000108	RESONATOR-CERAMIC	;12MHZ,0.5%,BK,10.
VL100 , VL2,6,TJ3	3301-000325	CORE-FERRITE BEAD	;AB,3.2X2.5X1.3MM,
VIC1	3704-000241	SOCKET-IC	;28P,DIP,SN,2.54MM
KIC02	B4004-0261	IC-LOGIC	;NJU4053BM SOP
VIC5	B4012-0222	IC-LINEAR	;NJM2234 SOP VIDEO S/W
VIC100	B4012-0438	IC-LINEAR	;CL480 QFP BULK MPEG SYS D
KIC01	B4012-0508	IC-LINEAR	;BA3837 DIP STICK KARAOKE

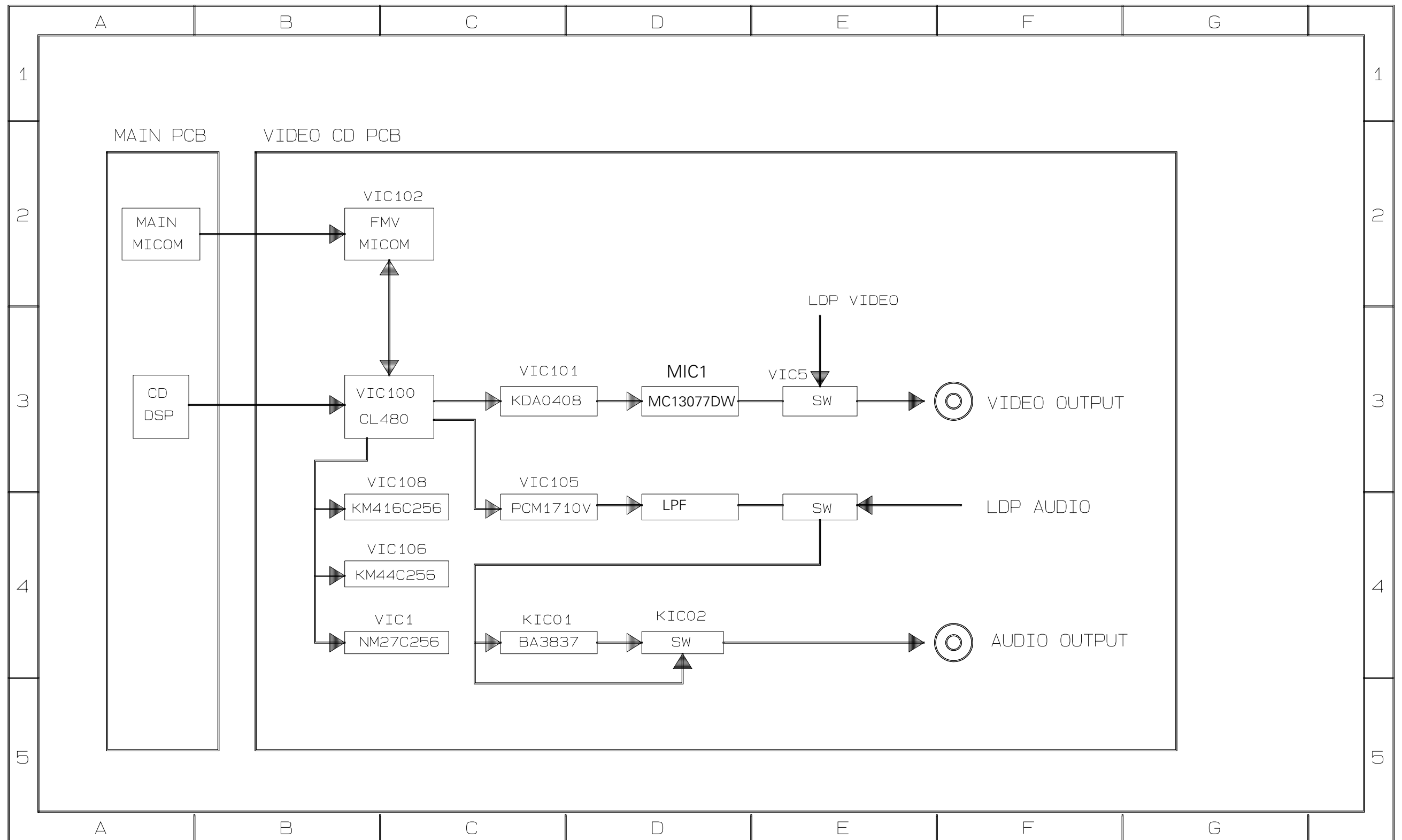
Loc No	Parts No	Description	Specification
	<b>AH90-40201D</b>	<b>ASSY-OPT PCB;VCD-C3,-,CDG</b>	
VR66	2007-000477	R-CHIP	;1MOHM,5%,1 / 10W,DA,TP,2012
VC39	2203-000391	C-CERAMIC,CHIP	;15PF,5%,50V,NPO,3216
VXC4	2801-000155	CRYSTAL-UNIT	;14.31818MHZ,50PPM,28-A
	<b>AH90-40201E</b>	<b>ASSY-OPT PCB;VCD-C3,-,OSD</b>	
VR66A	2007-000477	R-CHIP	;1MOHM,5%,1 / 10W,DA,TP,2012
VC39A	2203-000391	C-CERAMIC,CHIP	;15PF,5%,50V,NPO,3216
VXC4A	2801-000185	CRYSTAL-UNIT	;17.734475MHZ,50PPM,28-
	<b>AH90-40201H</b>	<b>ASSY-OPT PCB;VCD-C3,-,SWITCH</b>	
VOR1,2,3,8,10	2007-000029	R-CHIP	;0OHM,5%,1 / 10W,DA,TP,2012
VC14	2203-000391	C-CERAMIC,CHIP	;15PF,5%,50V,NPO,3216
VIC12	B4004-0337	IC-LOGIC	;TC4W53F-TE12L SOP 8P

## 2. Block Diagram

### 2-1 Main

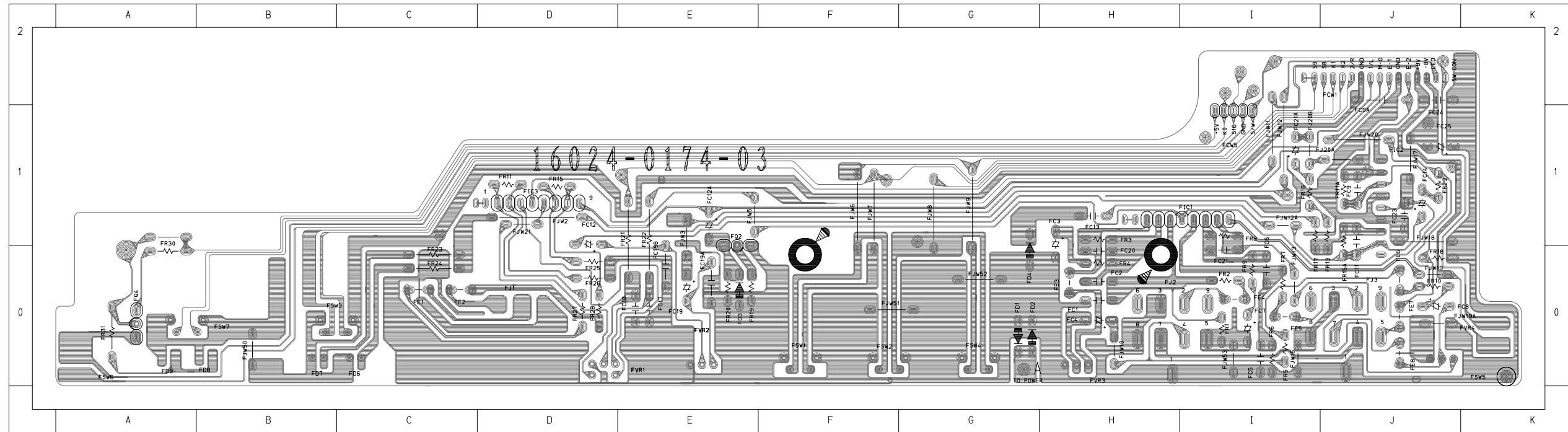




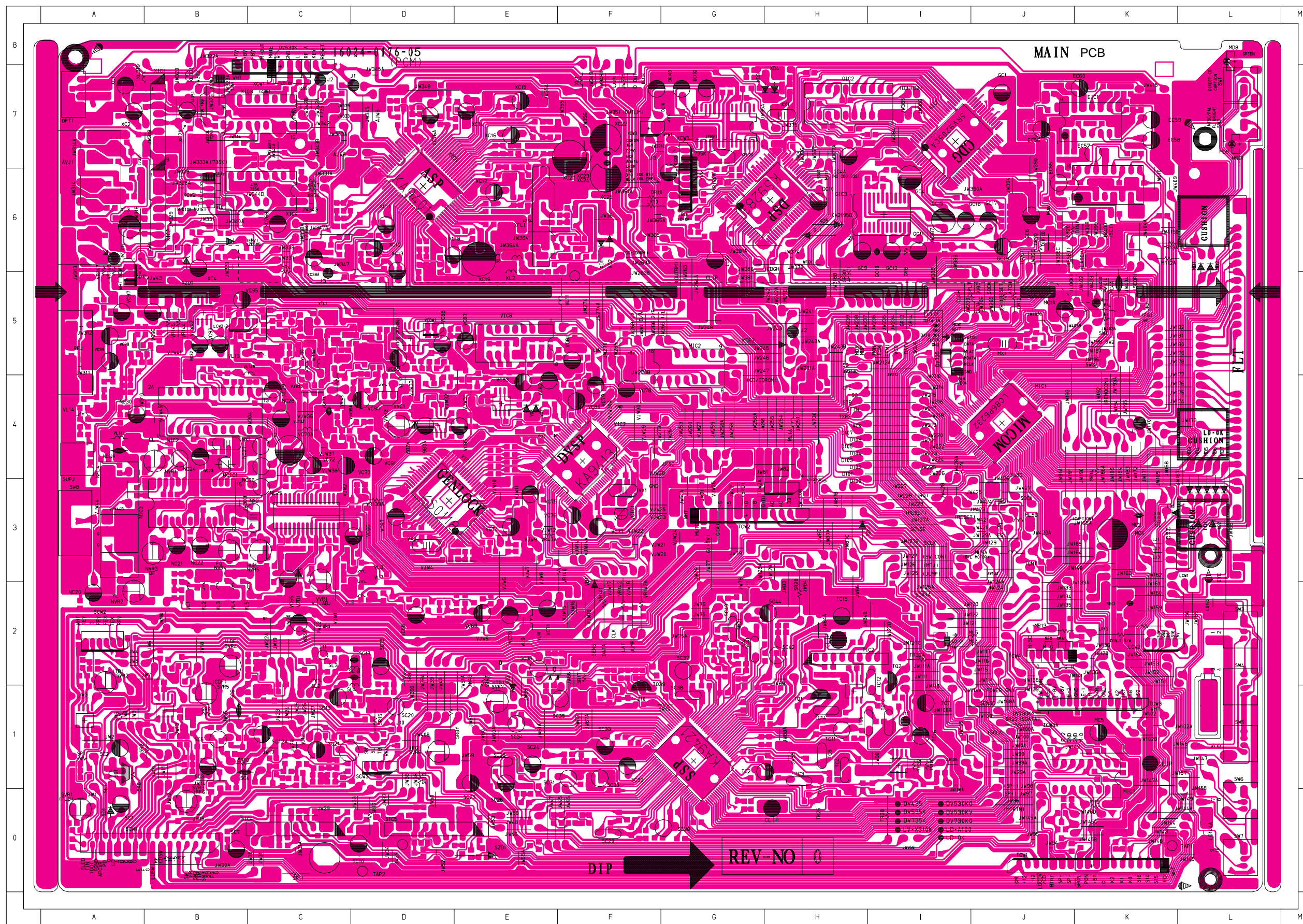


### 3.PCB Diagram

#### 3-1 Front



*** DIODE ***	*** TR ***	*** IC&WAFER ***
FD1 (G0)	FQ2 (E1)	FCW1 (J2)
FD2 (G0)	FQ4 (A0)	FIC1 (I1)
FD3 (E0)		FIC2 (J1)
FD4 (G1)		FIC3 (D1)



\*\*\* DIODE \*\*\*

- GL1 (H6)
- LD2 (L3)
- LD3 (K3)
- MD1 (L6)
- MD2 (L6)
- MD3 (L3)
- MD4 (L3)
- MD5 (L3)
- MD52 (H5)
- MD6 (L3)
- MD7 (L3)
- SD1 (A0)
- SD2 (E1)
- SZD1 (E0)
- TD1 (H3)
- VD1 (F3)
- VD2 (E4)
- VD3 (E4)
- VZD1 (C3)
- VZD2 (D4)
- XD1 (F6)
- XD2 (F6)
- XD3 (H7)
- XD4 (H7)
- XD5 (H6)
- XZD1 (B6)
- XZD50B (B6)

\*\*\* TR \*\*\*

- SQ1 (A1)
- TQ1 (H1)
- TQ2 (I2)
- TQ39 (F1)

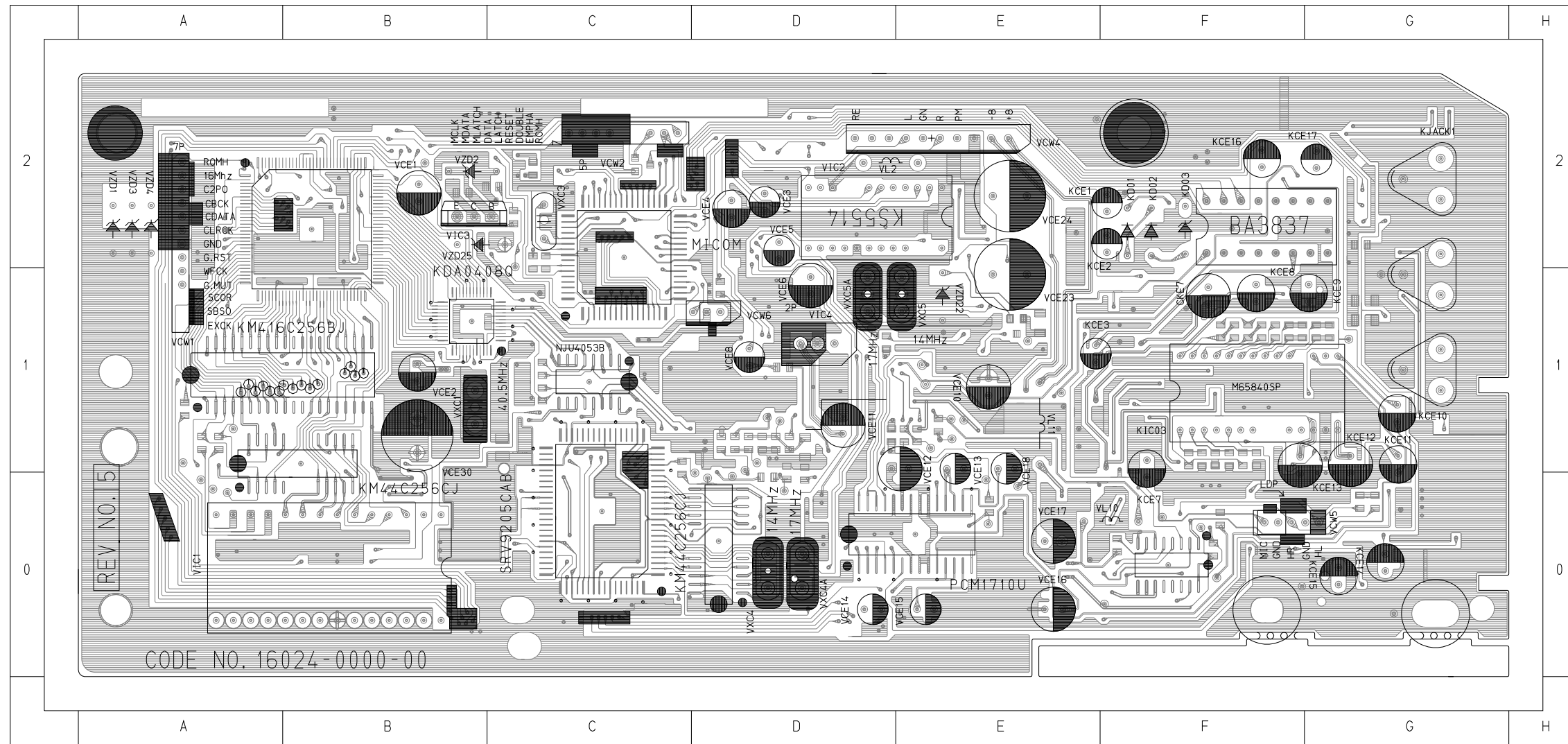
\*\*\* IC&WAFER \*\*\*

- EIC1 (J7)
- LCW2 (K2)
- LCW2-2 (B5)
- MCW1 (I5)
- MIC2 (F4)
- MIC3 (K1)
- NCW1 (A5)
- SCW2 (A2)
- SCW3 (D1)
- SIC4 (C0)
- SIC5 (D0)
- TCW1 (K0)
- TCW2 (G3)
- TCW2A (H3)
- TCW3 (K1)
- TCW4 (J2)
- XCW0 (B7)
- XCW1 (C7)
- XCW2 (B6)
- XCW3 (G6)
- XCWA (F7)
- XIC1 (B7)
- XIC2 (B6)
- XIC3 (C7)
- XIC4 (C6)

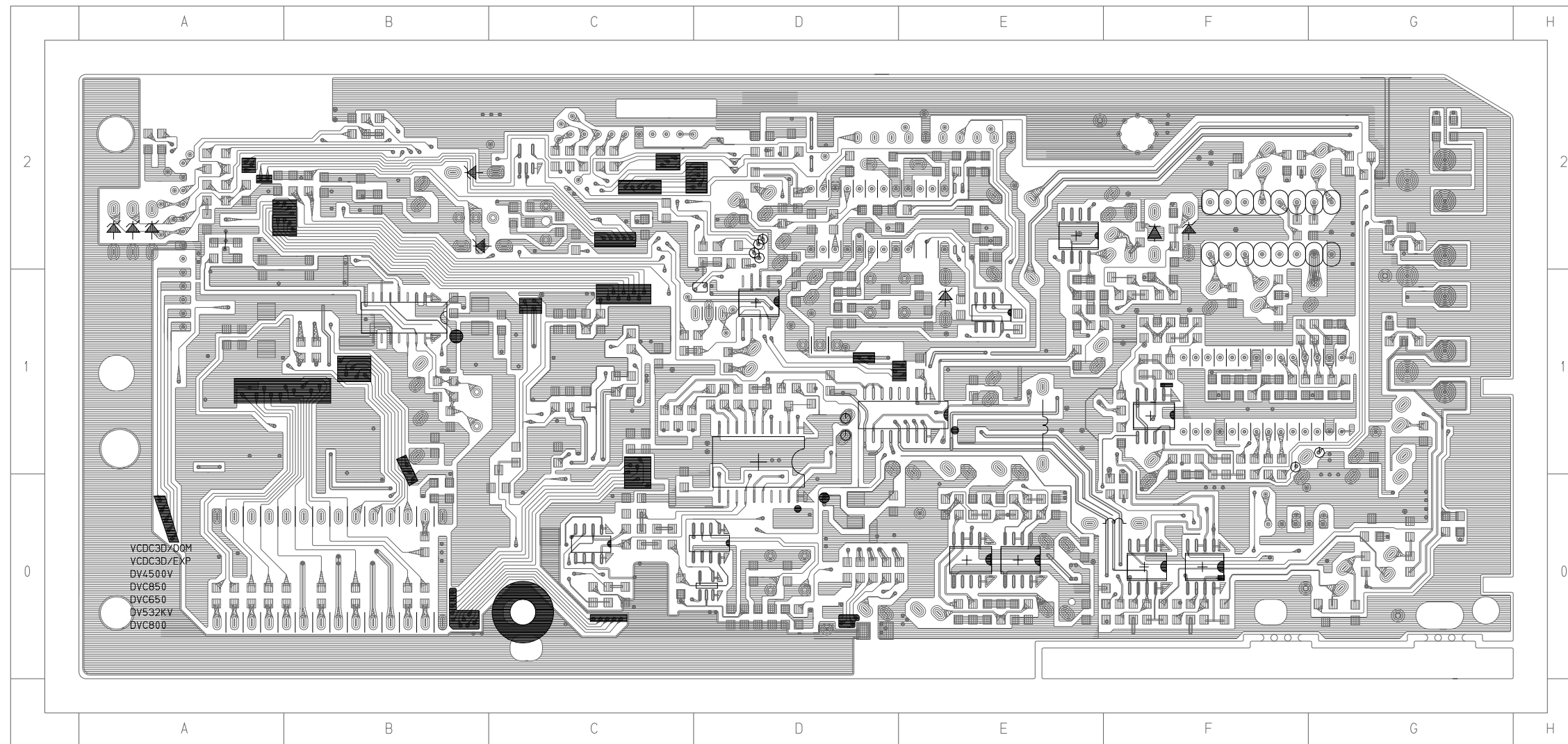
- DV425
- DV530K
- DV535K
- DV530KY
- DV735K
- DV730K
- LV-X510K
- LD-A100
- LD-OK

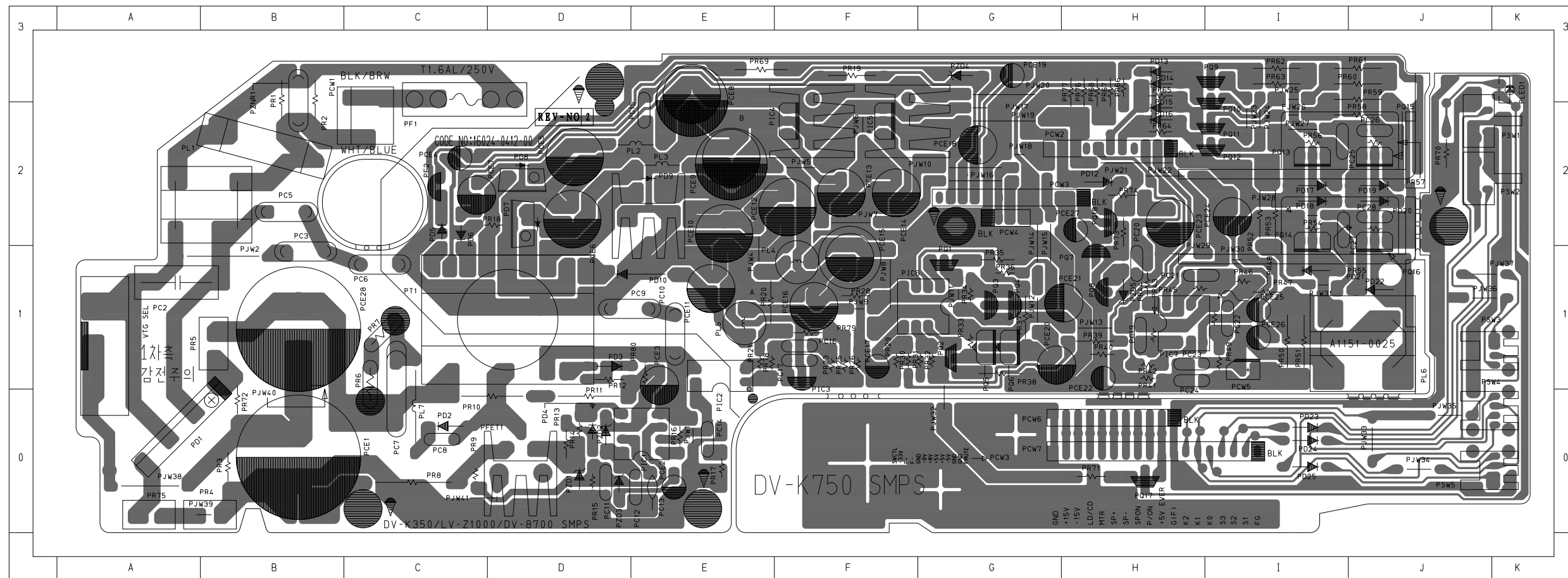
DIP → REV-NO 0

3-3 VIDEO-CD Top



### 3-4 VIDEO-CD Bottom





\*\*\* DIODE \*\*\*

- PD12 (H2)
- PD13 (H3)
- PD14 (H3)
- PD15 (H2)
- PD16 (H2)
- PD17 (I2)
- PD18 (I2)
- PD19 (J2)
- PD2 (C0)
- PD20 (J2)
- PD21 (I1)
- PD22 (J1)
- PD23 (I0)
- PD24 (I0)
- PD25 (I0)
- PD3 (E1)
- PD4 (D0)
- PD5 (C2)
- PD6 (C1)
- PZD1 (D0)
- PZD2 (D0)
- PZD3 (D0)
- PZD4 (G3)
- PZD5 (H1)

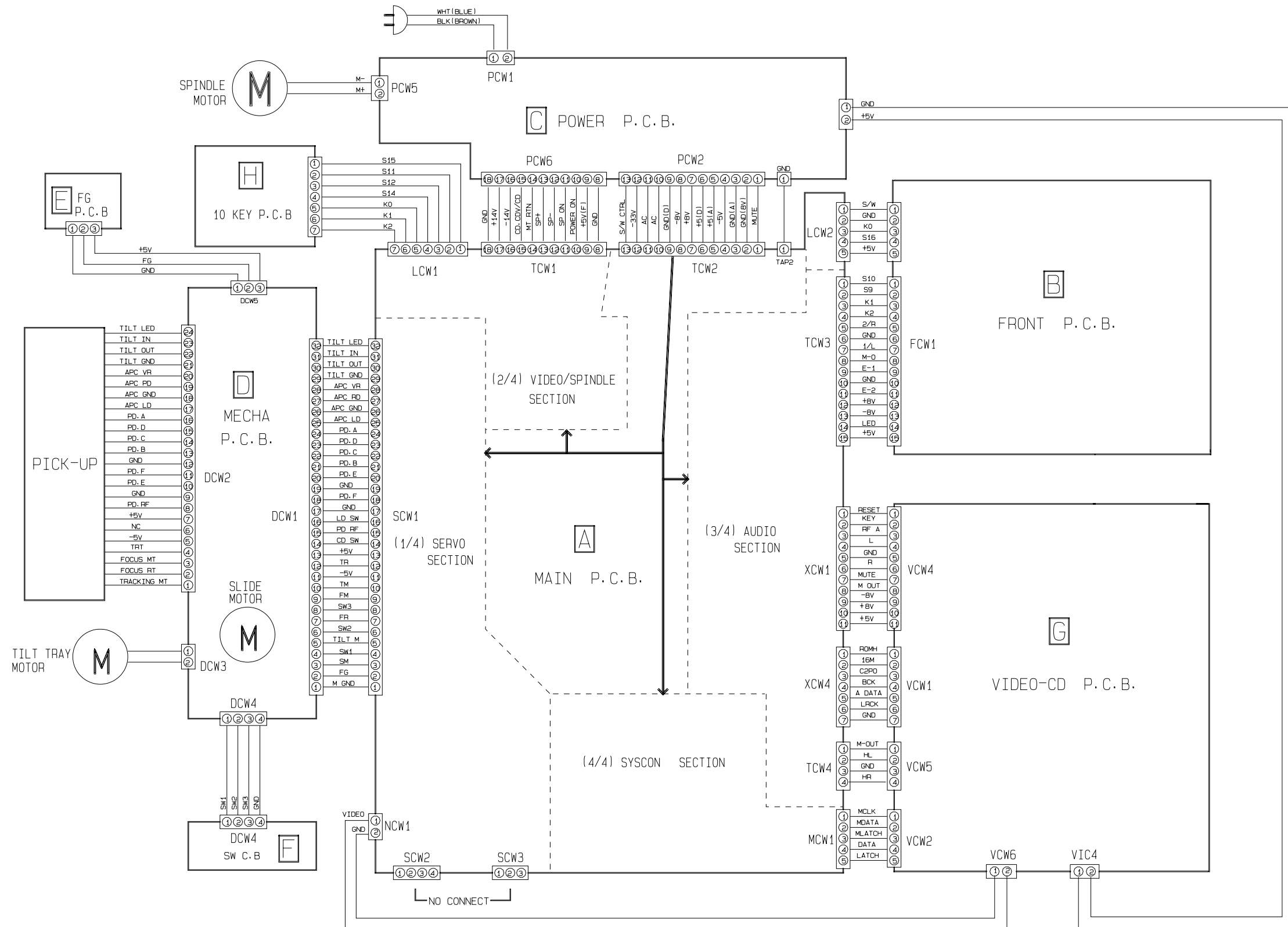
\*\*\* TR \*\*\*

- PIC3 (F1)
- Q1 (G1)
- Q10 (I3)
- Q11 (I2)
- Q12 (I2)
- Q17 (H0)
- Q18 (H2)
- Q2 (G1)
- Q3 (G1)
- Q4 (G1)
- Q7 (H1)
- Q8 (H1)
- Q9 (I3)

\*\*\* IC&WAFER \*\*\*

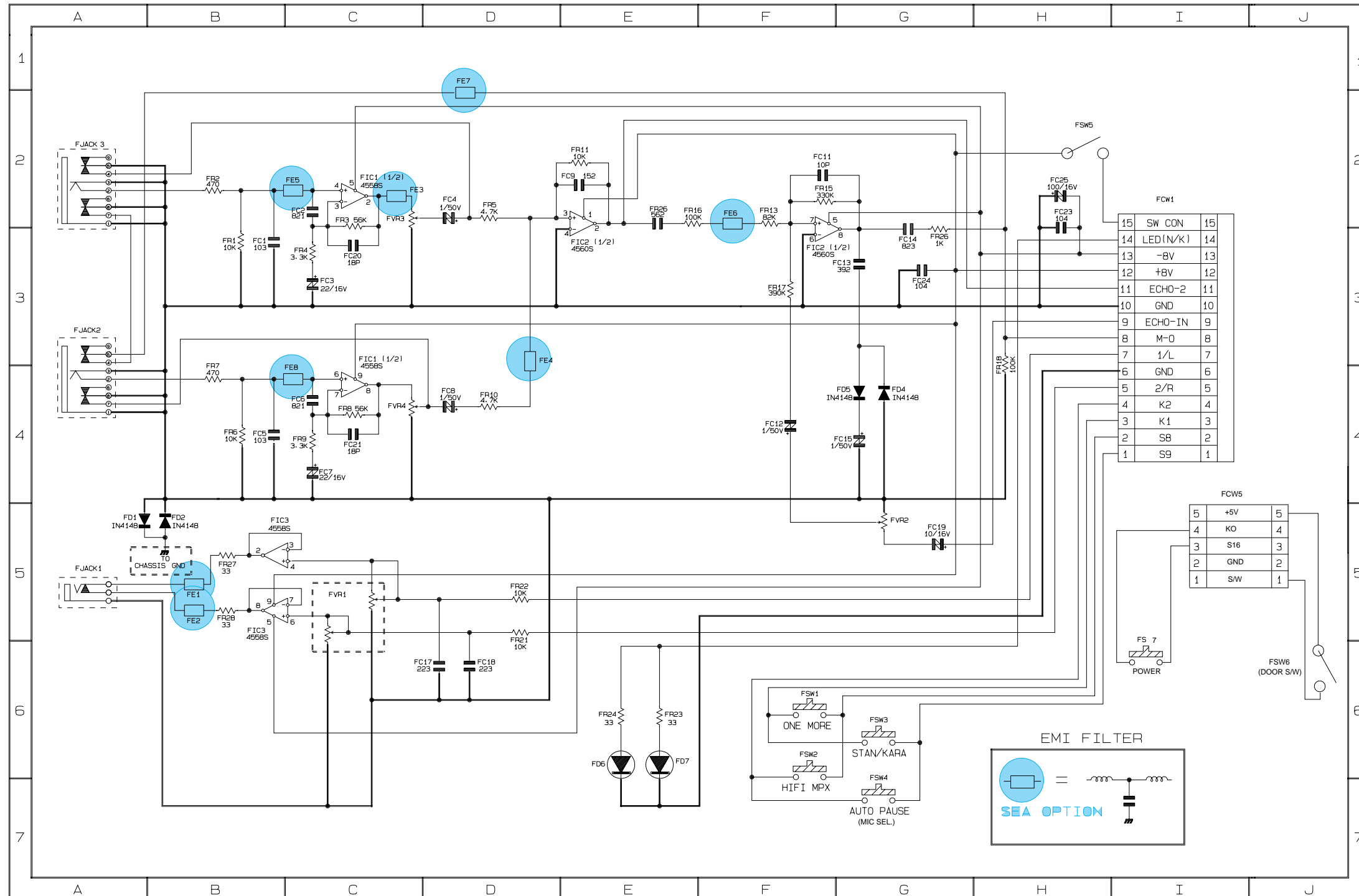
- PCW2 (H2)
- PCW3 (G2)
- PCW4 (G2)
- PCW5 (I1)
- PCW6 (H0)
- PCW7 (H0)
- PIC1 (E0)
- PIC6 (G1)
- PIC7 (H1)

# 1. Wiring Diagram



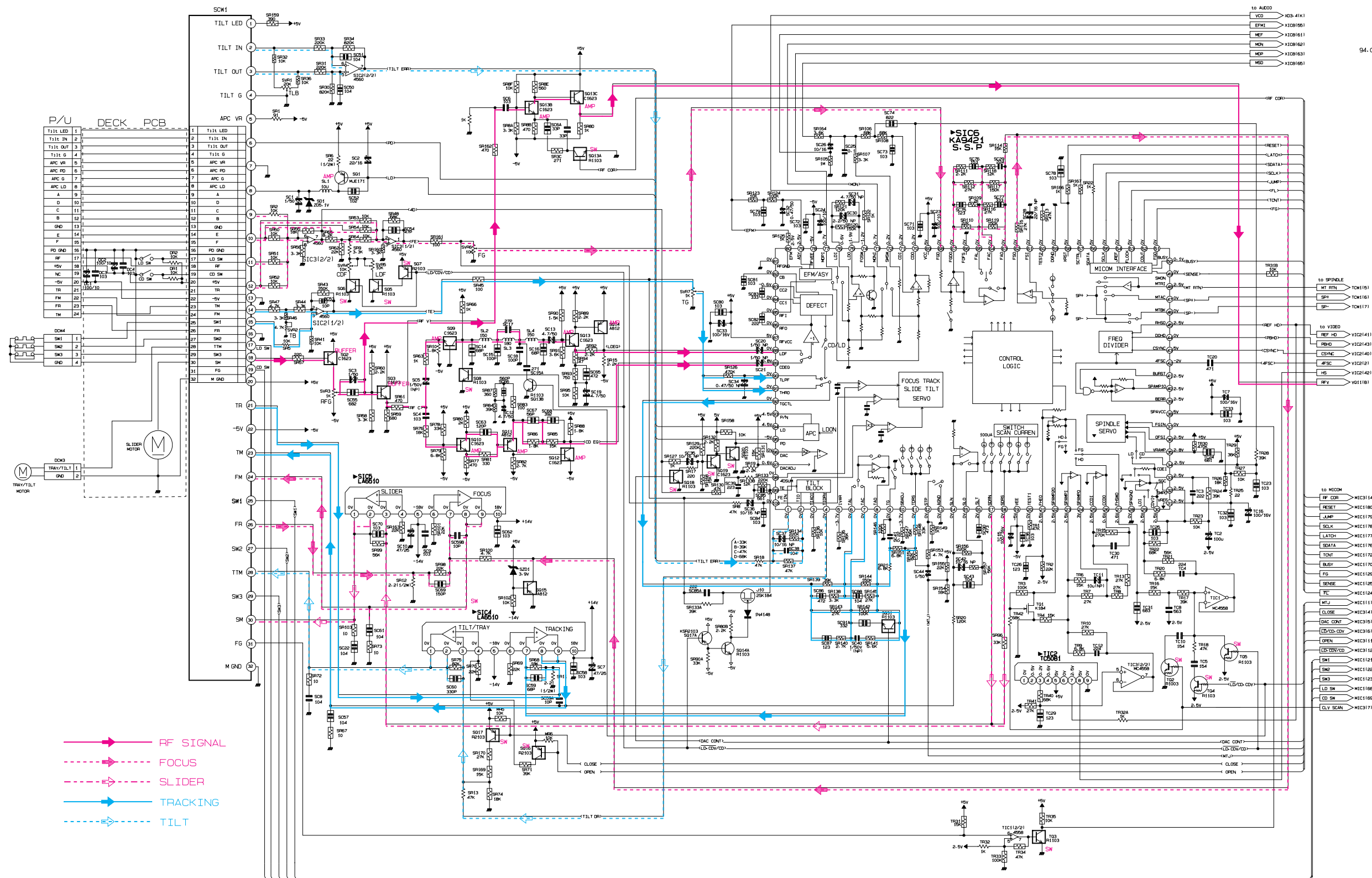
# 4.Schematic Diagram

## 4-1.Front



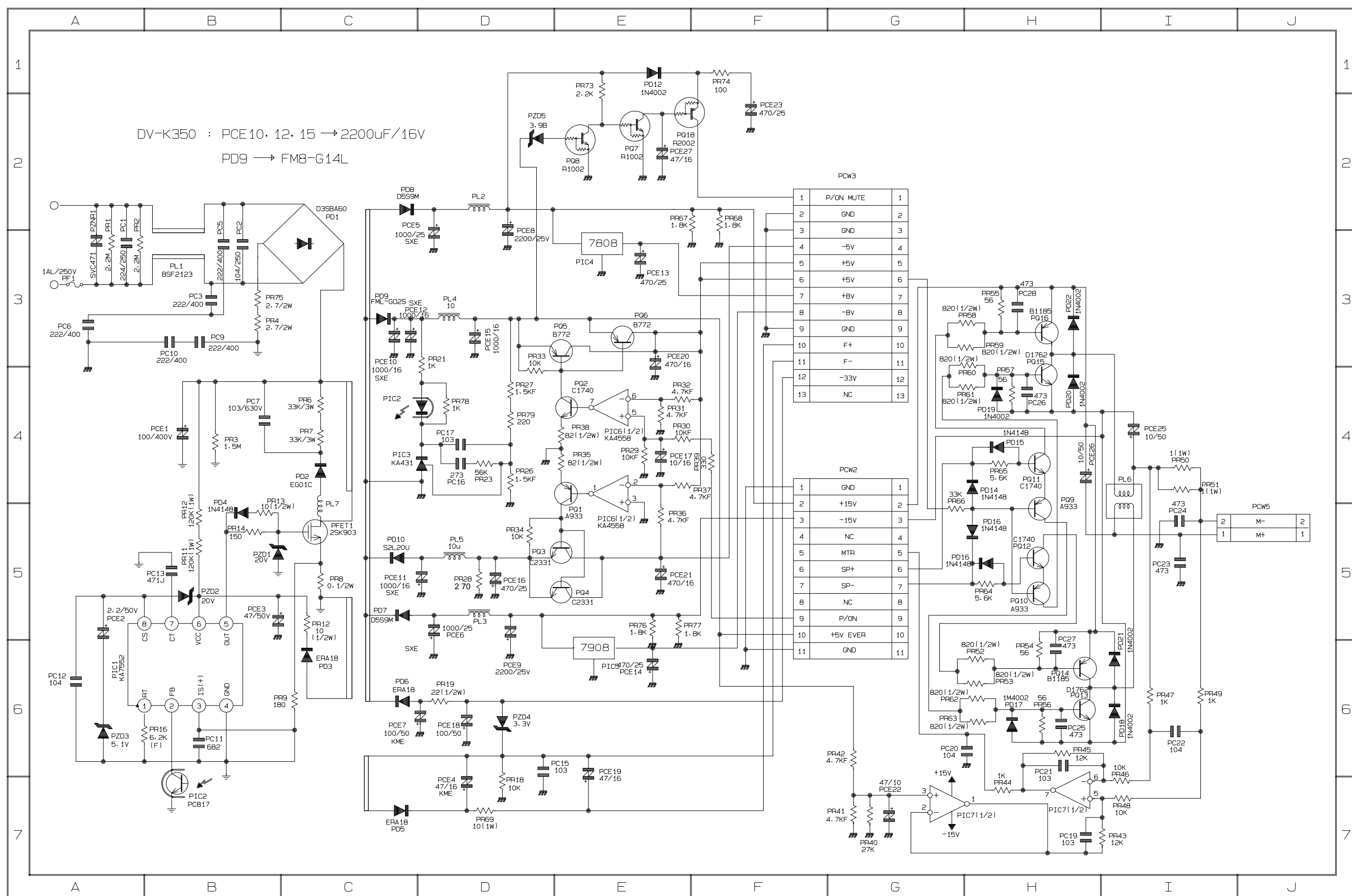


# 4-2. Servo

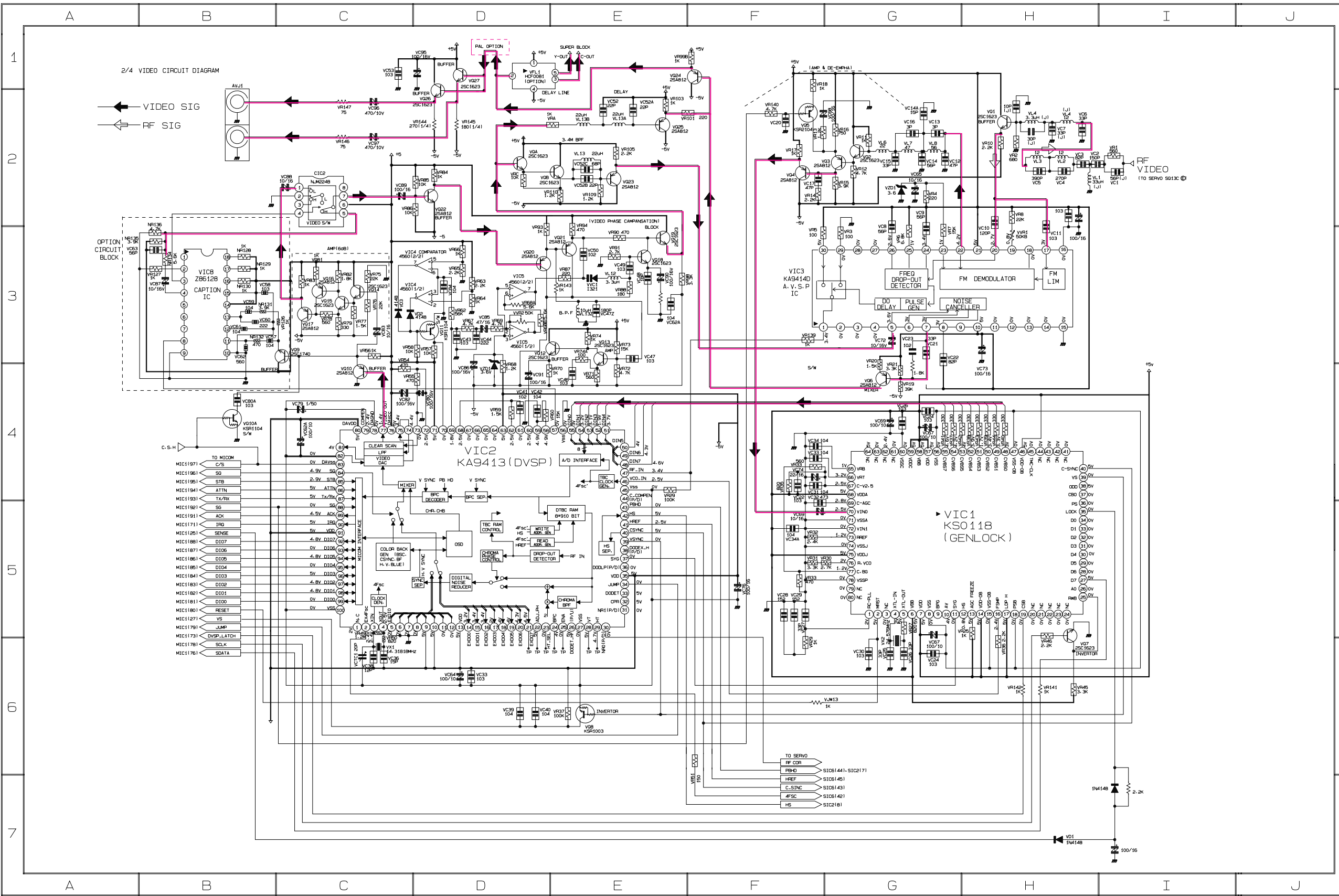


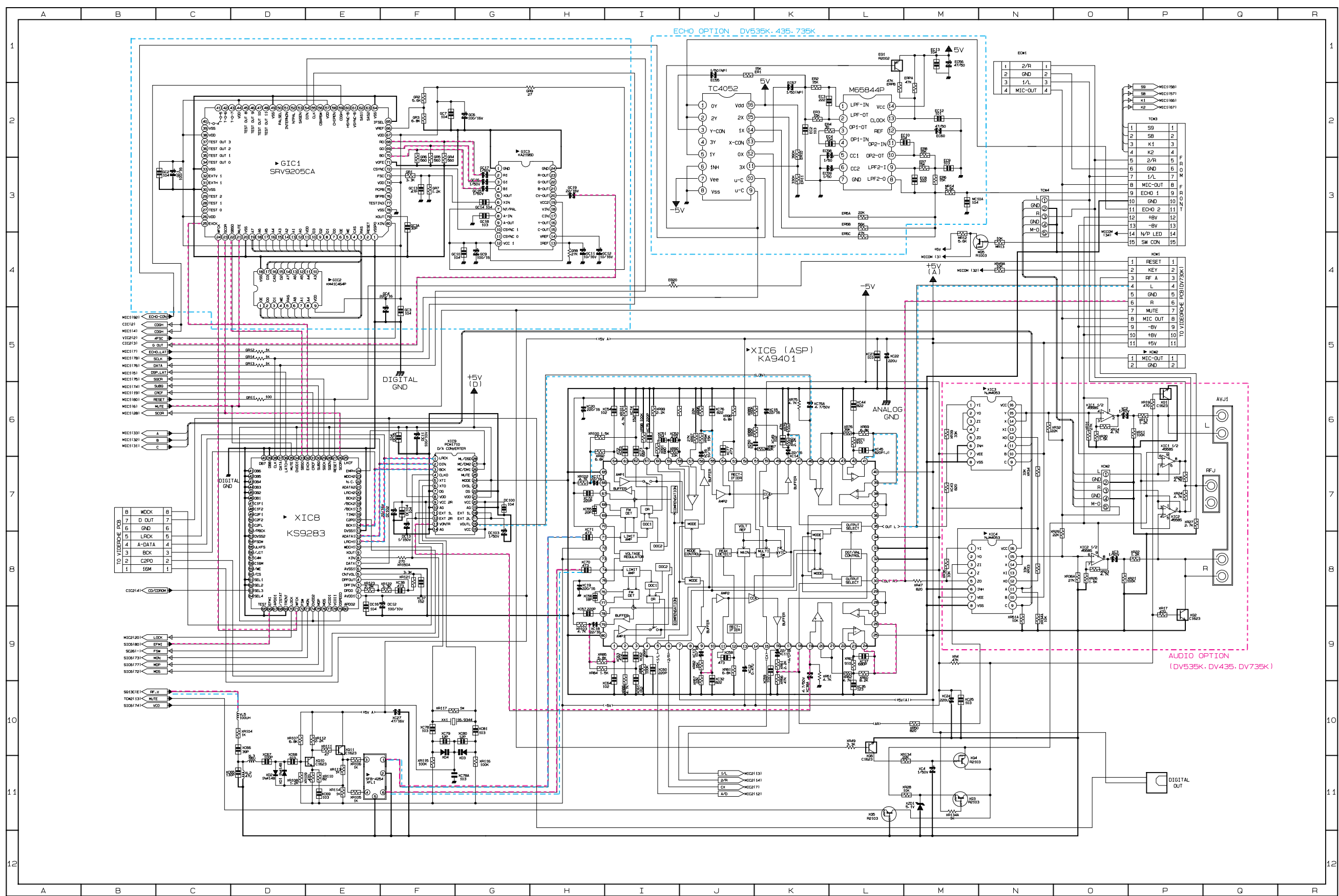
94.09.05

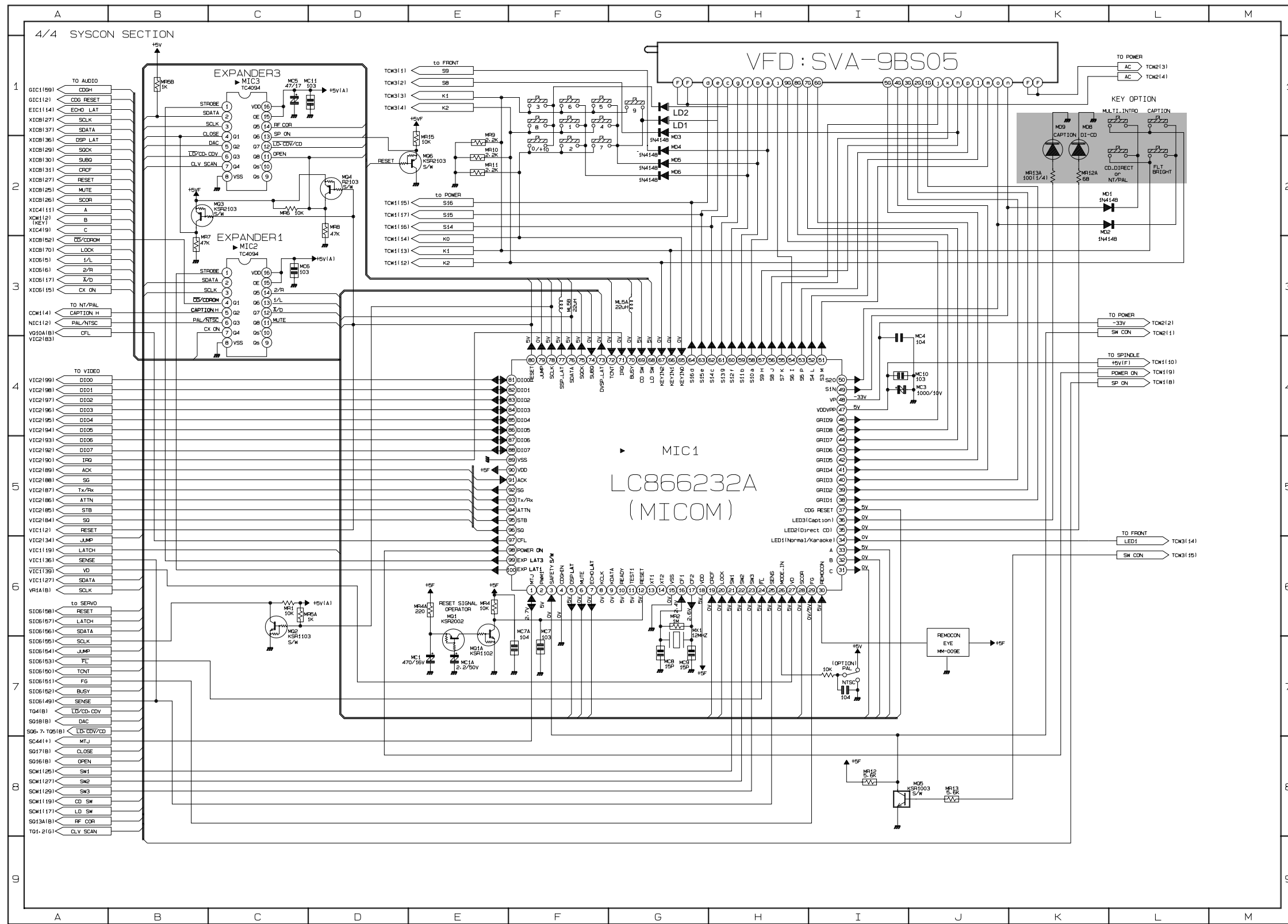
# 4-3 Power



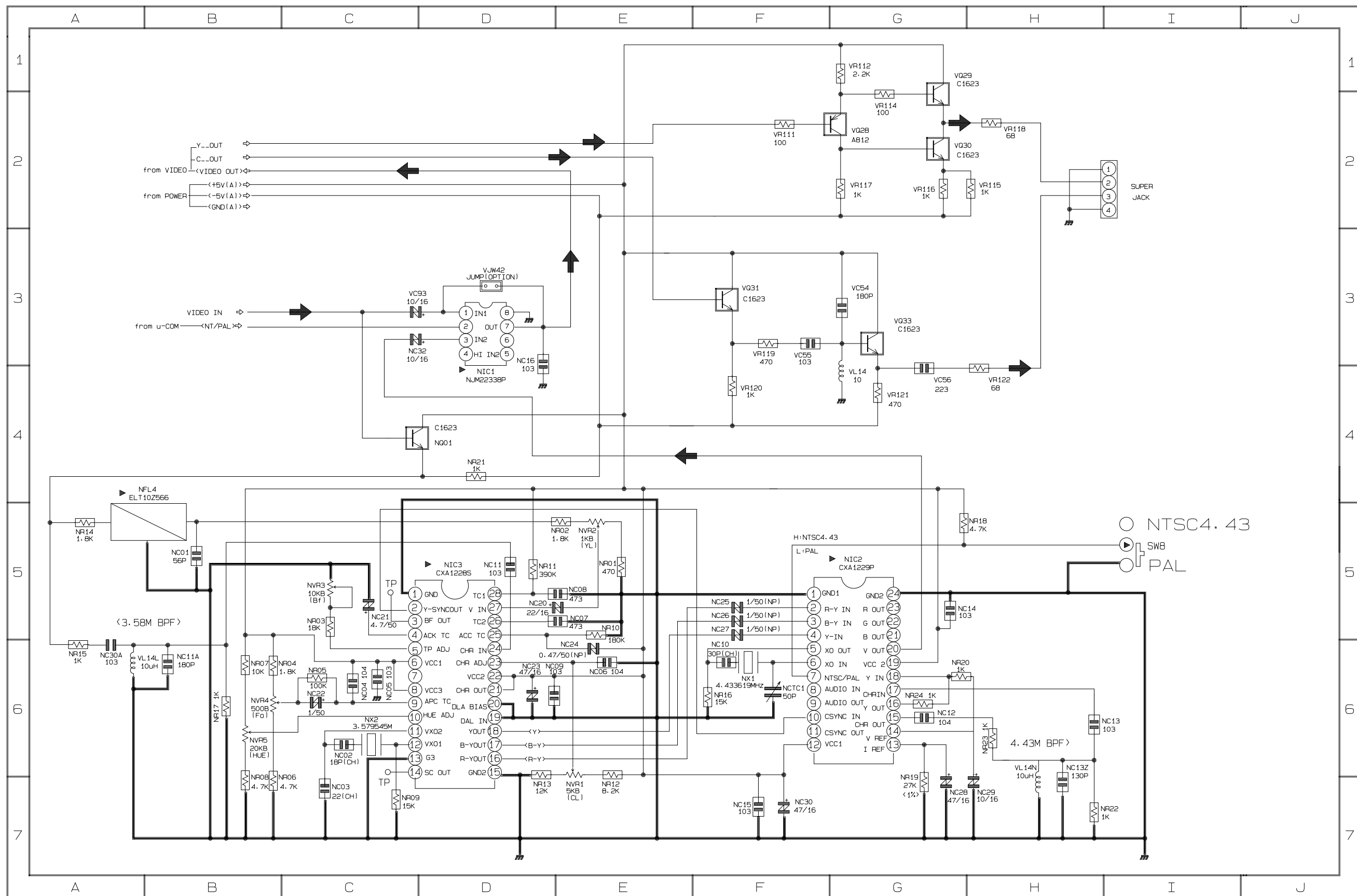
4-4 Video







4-7 NT/PAL



# 4-8 Video-CD

