



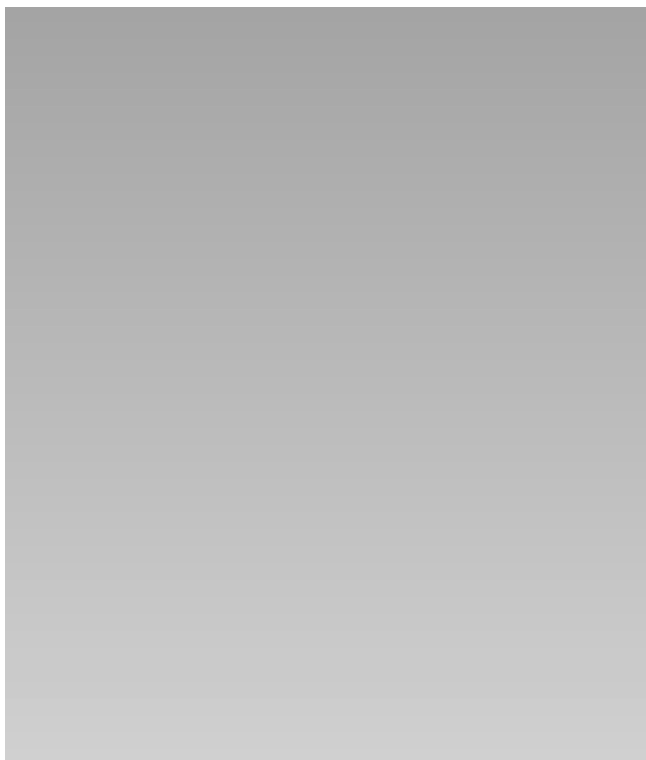
VIDEO-CD/LDP/CD PLAYER

DV5620KV/DV4620V

SERVICE *Manual*

This service manual is based on Model DV7620KV/DV7622KV(CODE NO : AH68-20127A).
This service manual contains change notes differing from the Model DV7620KV/7622KV.
For the change notes, refer to the "contents".

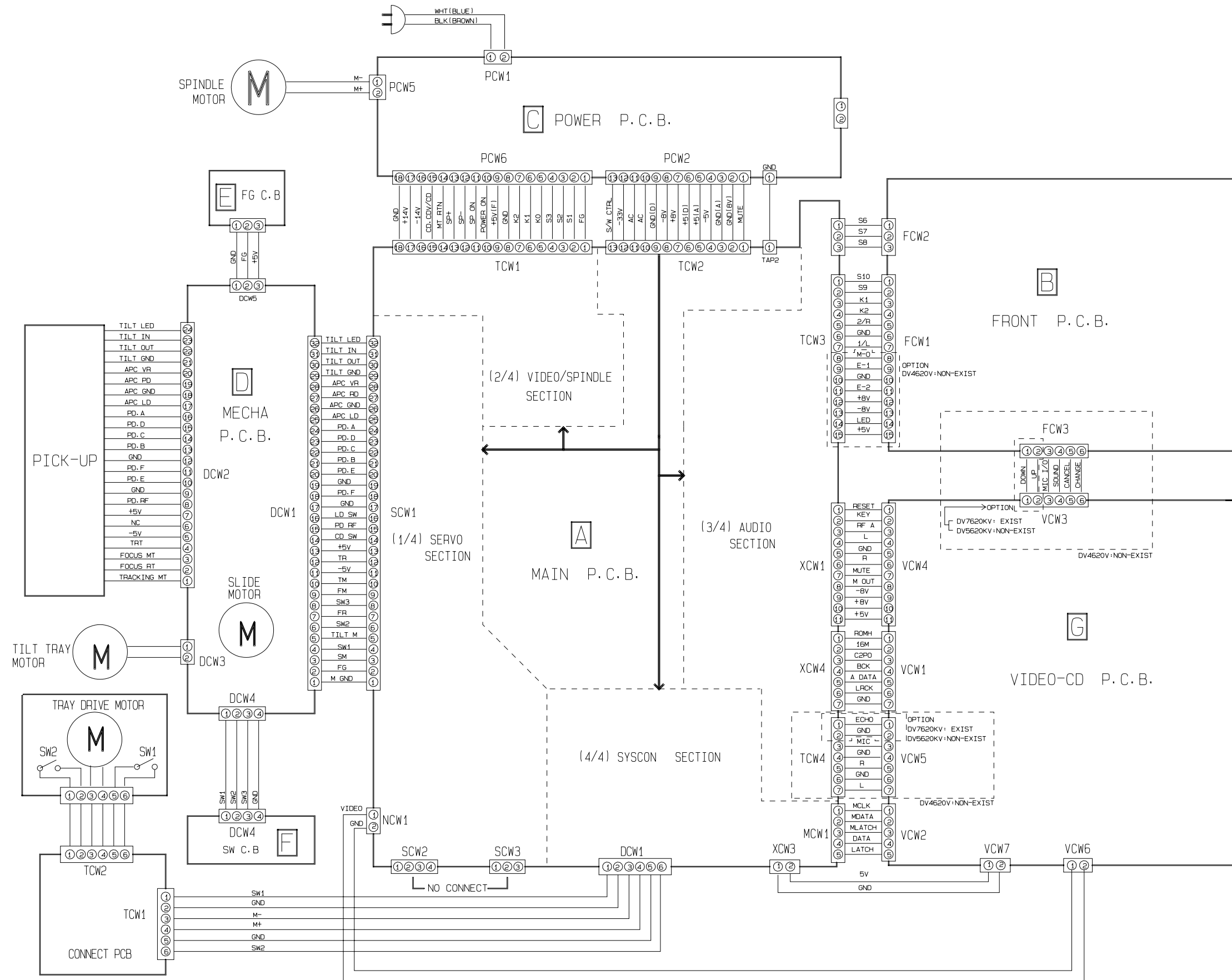
VIDEO-CD/LDP/CD PLAYER



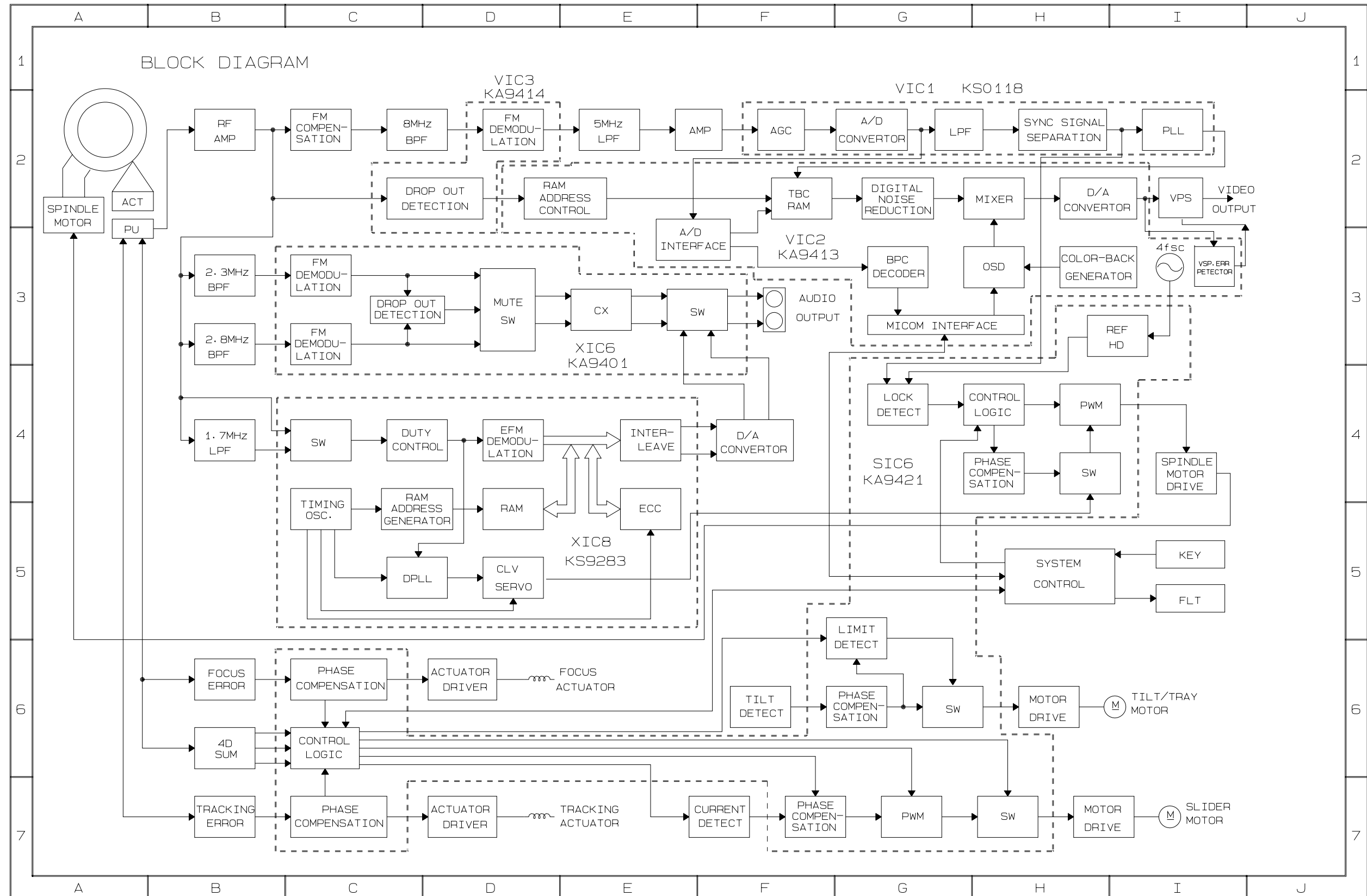
CONTENTS

1. Wiring Diagram
2. Block Diagrams
3. PCB Diagrams
4. Schematic Diagrams
5. Exploded Views and Parts List
6. Troubleshooting
7. Electric parts List

1. Wiring Diagram (DV5620KV/DV4620V)

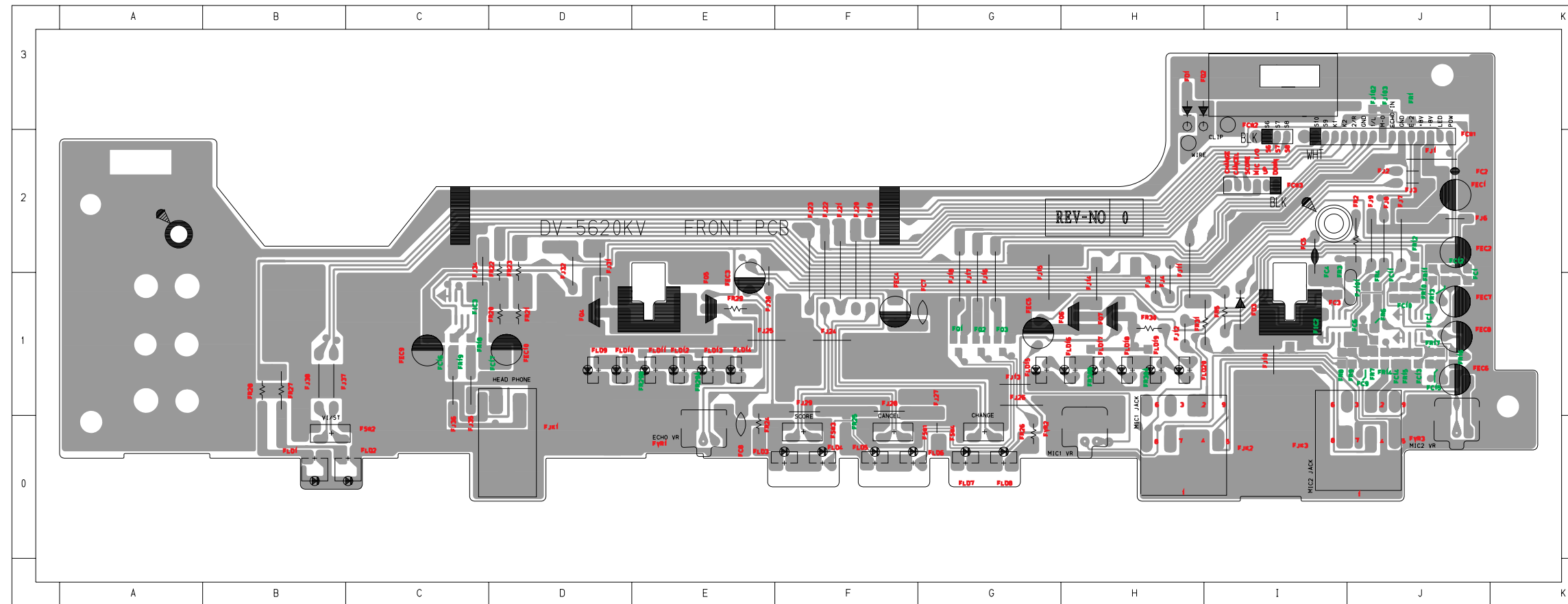


2. Block Diagram



3.PCB Diagram

3-1 Front



*** RESISTOR ***

- FR16 (I1)
- FR17 (I1)
- FR18 (J2)
- FR2 (J2)
- FR20 (D1)
- FR21 (D1)
- FR22 (F2)
- FR22 (D1)
- FR23 (D1)
- FR24 (E0)
- FR26 (G0)
- FR27 (B1)
- FR28 (B1)
- FR29 (E1)
- FR30 (H1)
- FR31 (I1)
- FR5 (I1)
- FRR1 (I1)
- FRR3 (E1)
- RD1 (F2)

*** CONDENSER ***

- FC2 (J2)
- FC3 (J1)
- FC5 (I1)
- FC7 (G1)
- FC8 (E0)
- FEC1 (J2)
- FEC10 (D1)
- FEC2 (J2)
- FEC3 (E2)
- FEC4 (F1)
- FEC5 (G1)
- FEC6 (J1)
- FEC7 (J1)
- FEC8 (J1)
- FEC9 (C1)

*** DIODE ***

- FD1 (H3)
- FD2 (H3)
- FD3 (I1)
- FD3 (F2)
- FZD1 (I0)
- FZD2 (I0)

*** TR ***

- FQ4 (D1)
- FQ5 (E1)
- FQ6 (H1)
- FQ7 (H1)

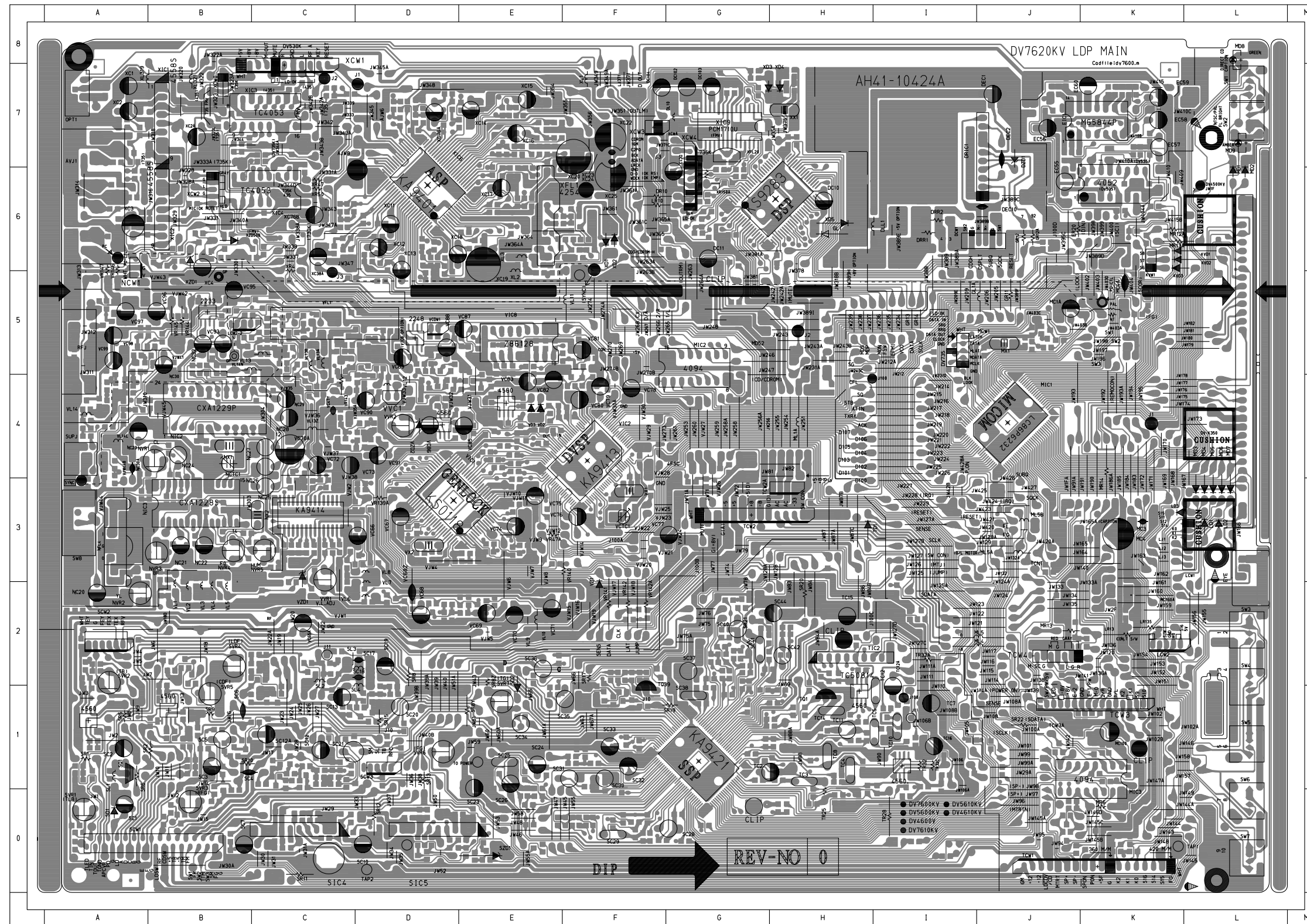
*** IC&WAFER ***

- FCW1 (J2)
- FCW2 (I2)
- FCW3 (J2)
- FCW6 (F2)
- FSW1 (F0)
- FSW2 (B0)
- FSW3 (F0)
- FSW4 (G0)

*** CHIP ***

- * (I1)
- FC1 (J1)
- FC10 (J1)
- FC11 (J1)
- FC12 (J1)
- FC13 (J1)
- FC14 (J1)
- FC15 (J1)
- FC16 (C1)
- FC17 (D1)
- FC4 (I1)
- FC6 (J1)
- FC9 (J1)
- FIC1 (J1)
- FIC2 (I1)
- FIC3 (C1)
- FJ101 (J1)
- FR3 (I1)
- FR30A (H1)
- FR30B (H1)
- FR4 (J1)
- FR6 (J1)
- FR7 (J1)
- FR8 (I1)
- FR9 (J1)
- FJ102 (J3)
- FJ103 (J3)
- FQ1 (G1)
- FQ2 (G1)
- FQ3 (G1)
- FR1 (J3)
- FR10 (J1)
- FR11 (J1)
- FR12 (J2)
- FR13 (J1)
- FR14 (J1)
- FR15 (J1)
- FR16 (J1)
- FR17 (J1)
- FR18 (C1)
- FR19 (C1)
- FR25 (F0)
- FR29A (E1)
- FR29B (E1)

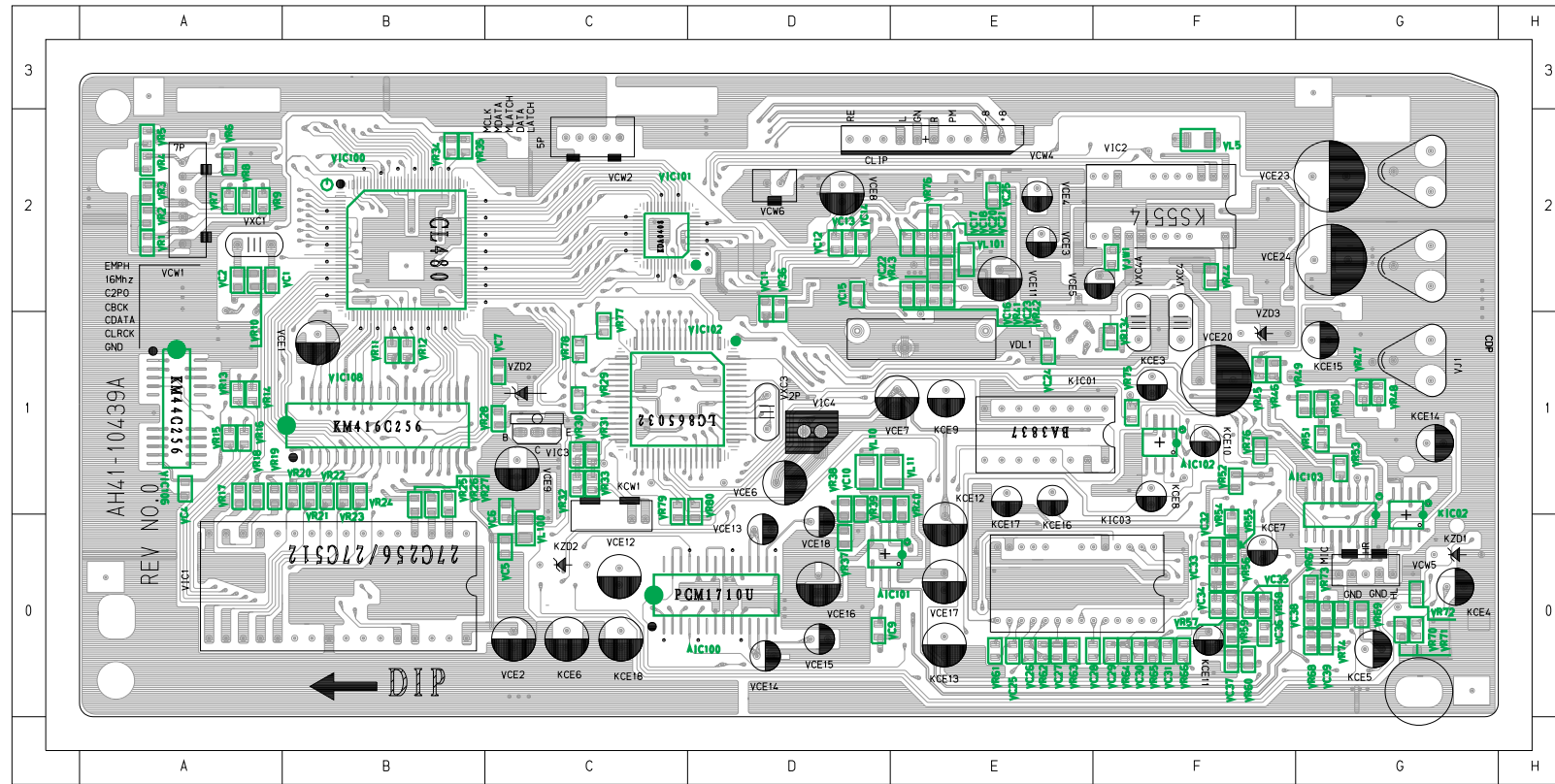
3-2 Main



- *** RESISTOR *****
- | | | | | |
|------------|-------------|------------|-----------|------------|
| DR10 (F6) | SR22 (J11) | T08 (H1) | VC89 (D5) | XC2A (B7) |
| DRR1 (I6) | SR5 (A1) | VC47Y (C4) | VC90 (D4) | XC3 (A6) |
| DRR2 (I6) | SR6 (A0) | VC65A (C2) | VC91 (D4) | XC38A (C6) |
| ER20 (J6) | SR8 (D1) | VC66 (D3) | VC93 (B5) | XC4 (B6) |
| GR1 (J5) | SR7 (E1) | VC67 (D3) | VC95 (B5) | XC76A (D7) |
| GR2 (J6) | SR8Z (E1) | VC68 (D2) | VC96 (B5) | XC76B (C6) |
| GR12A (J6) | SR9 (B1) | VC68Z (D2) | VC97 (A5) | XX1 (H7) |
| LR10 (F6) | TR25 (H0) | VC69 (E2) | VC98 (A5) | |
| LR13 (K2) | TR28 (I1) | VC70 (E2) | VC99 (A5) | |
| LR135 (K2) | TR32 (I1) | VC70A (C4) | VX1 (F3) | |
| MR12A (K6) | TR32A (I2) | VC71 (E2) | VX2 (D3) | |
| MR13 (J2) | TR32C (I1) | VC72 (C4) | XC1 (A7) | |
| MR13A (K6) | VR139A (D3) | VC73 (C4) | XC11 (D6) | |
| MR14 (K3) | VR140 (F2) | VC74 (E3) | XC12 (D6) | |
| MR6 (K9) | VR141 (F2) | VC75 (E3) | XC13 (D6) | |
| PRAL (K5) | VR142 (F2) | VC76 (F3) | XC14 (E7) | |
| SR1 (A1) | VR142A (F2) | VC77 (G3) | XC15 (E7) | |
| SR10 (B1) | VR143 (C4) | VC78 (F4) | XC16 (E7) | |
| SR11 (C0) | VR144 (B5) | VC79 (F4) | XC17 (E5) | |
| SR12 (D0) | VR145 (B5) | VC80 (F4) | XC18 (D6) | |
| SR13 (D0) | VR146 (A5) | VC81 (F5) | XC19 (E5) | |
| SR15 (D1) | VR147 (A5) | VC82 (E4) | XC2 (A7) | |
| SR17 (F1) | VR17A (E3) | VC83 (E4) | XC20 (F7) | |
| SR19 (F1) | XR150A (G5) | VC85 (E4) | XC22 (F7) | |
| SR2 (B1) | XR (C6) | VC86 (D4) | XC23 (F7) | |
| SR20 (H2) | XR47 (C6) | VC87 (E5) | XC24 (F7) | |
| SR21 (G2) | XR50 (C6) | VC88 (D5) | XC25 (F6) | |
- *** CONDENSER *****
- | | | | |
|------------|------------|------------|----------|
| DC10 (H6) | NC26 (C4) | SC30 (F1) | TC4 (H1) |
| DC102 (G7) | NC27 (C4) | SC31 (E1) | TC5 (I1) |
| DC103 (G7) | NC28 (C4) | SC32 (F1) | |
| DC104 (F7) | NC29 (C4) | SC33 (F1) | |
| DC11 (G6) | NC30 (B5) | SC34 (E1) | |
| DC13 (G7) | NC30A (A3) | SC35 (F1) | |
| DEC1 (J7) | NC32 (B5) | SC36 (E2) | |
| DEC10 (I8) | NX1 (B4) | SC37 (D2) | |
| DEC2 (J6) | NX2 (C3) | SC38 (D1) | |
| EC55 (J6) | SC1 (A0) | SC4 (B1) | |
| EC56 (J7) | SC10 (D0) | SC40 (D2) | |
| EC57 (K7) | SC12 (C1) | SC41 (D2) | |
| EC58 (K7) | SC12A (C1) | SC42 (H2) | |
| EC59 (K7) | SC13 (C1) | SC44 (H2) | |
| EC60 (K7) | SC17 (C2) | SC5 (B1) | |
| MC100 (K1) | SC18 (C2) | SC6 (B1) | |
| MC1A (J5) | SC19 (D2) | SC7 (B1) | |
| MC3 (K3) | SC2 (A1) | TC10 (I1) | |
| MC4 (K3) | SC20 (D1) | TC11 (H1) | |
| MC4A (K5) | SC21 (C1) | TC12 (I1) | |
| Mx1 (J5) | SC23 (E1) | TC12A (I2) | |
| NC20 (A2) | SC24 (E1) | TC14 (H1) | |
| NC21 (B3) | SC25 (E1) | TC15 (H2) | |
| NC22 (B3) | SC26 (E1) | TC16 (I1) | |
| NC23 (A4) | SC28 (F0) | TC2 (G1) | |
| NC24 (B4) | SC29 (F0) | TC3 (H1) | |
| NC25 (C3) | SC3 (B1) | | |
- *** DIODE *****
- | | | |
|-----------|-------------|-----------|
| DZ01 (J6) | XDS (H6) | S01 (A1) |
| GL1 (H6) | XZ01 (B6) | T01 (H1) |
| KV01 (K6) | XZ050B (B6) | TQ39 (F1) |
| KV02 (K6) | | |
| KV03 (K6) | | |
| L01 (L3) | | |
| L02 (L3) | | |
| L03 (K3) | | |
| M01 (L7) | | |
| M02 (L7) | | |
| M03 (L3) | | |
| M04 (L3) | | |
| M05 (L3) | | |
| M06 (L3) | | |
| M07 (L3) | | |
| S01 (A1) | | |
| S02 (E1) | | |
| SZ01 (E0) | | |
| T01 (H3) | | |
| V01 (F3) | | |
| V02 (E4) | | |
| V03 (E4) | | |
| VZ01 (C3) | | |
| VZ02 (D4) | | |
| X01 (F6) | | |
| X02 (F6) | | |
| X03 (G7) | | |
| X04 (H7) | | |
- *** IC/WAFER *****
- | |
|-------------|
| DCW1 (J6) |
| DRIC1 (J7) |
| EIC1 (J7) |
| KW1 (K6) |
| LCW2 (K2) |
| LCW2-2 (B5) |
| MCW2 (F2) |
| MIC3 (K1) |
| NCW1 (A5) |
| SCW2 (A2) |
| SCW3 (D1) |
| SIC4 (C0) |
| SIC5 (D0) |
| TCW1 (K0) |
| TCW2 (G3) |
| TCW2A (H3) |
| TCW3 (K1) |
| TCW4 (J2) |
| XCW1 (B7) |
| XCW1 (C7) |
| XCW2 (B6) |
| XCW4 (F7) |
| XIC1 (B7) |
| XIC2 (B6) |
| XIC3 (C7) |
| XIC4 (C6) |

3-3 Video-cd

3-3-1 Top View

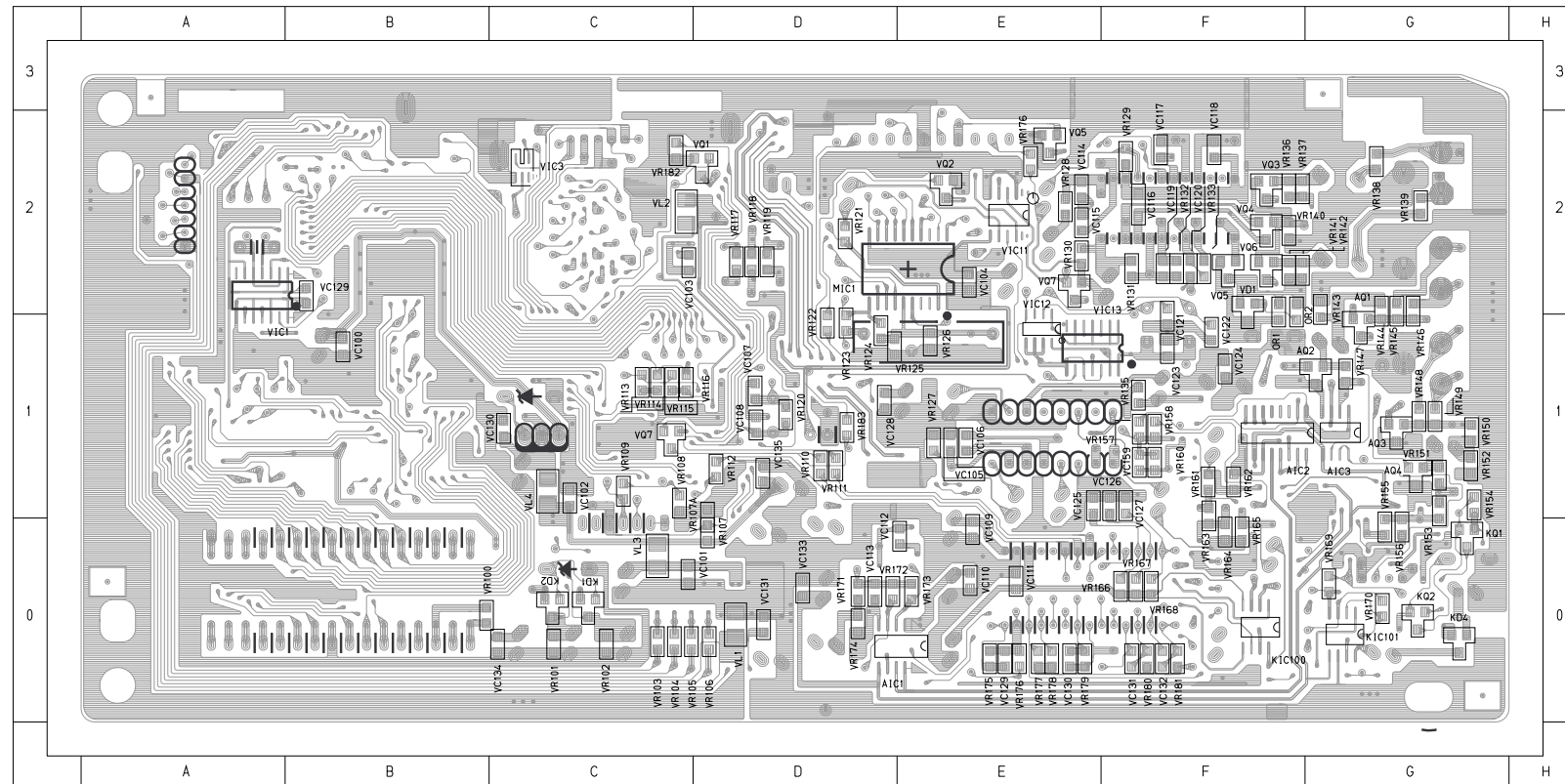


XXX IC&WAFER XXX

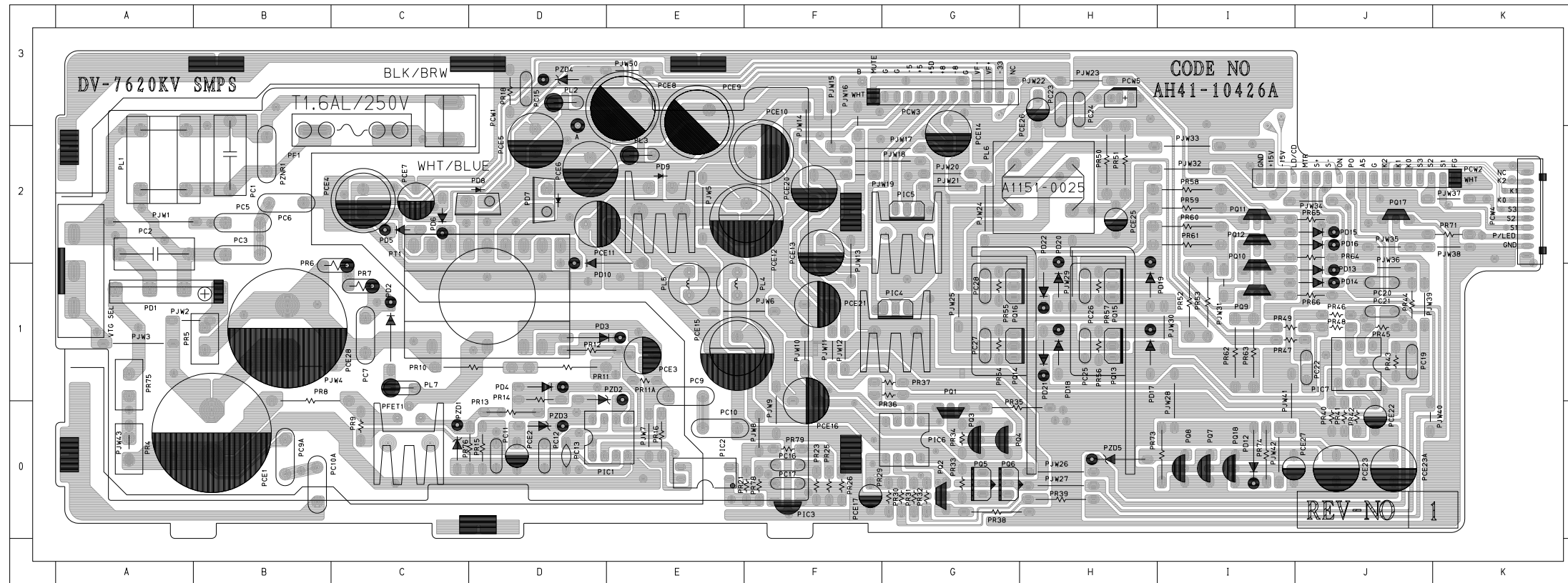
XXX CHIP XXX

VIC1 (A2)	AIC1 (D0)	VC108 (D1)	VC134 (C0)	VC6 (C1)
VIC13 (E1)	AIC100 (D0)	VC109 (E0)	VC135 (D1)	VC7 (C1)
	AIC101 (D0)	VC11 (D2)	VC14 (D2)	VC9 (D0)
	AIC102 (F1)	VC10 (E0)	VC15 (D2)	VD1 (F2)
	AIC103 (G0)	VC11 (E0)	VC159 (F1)	VIC1 (A2)
	AIC2 (F1)	VC12 (E0)	VC16 (E2)	VIC100 (B2)
	AIC3 (G1)	VC13 (D0)	VC17 (E2)	VIC100 (B2)
	AQ1 (G1)	VC14 (E2)	VC18 (E2)	VIC101 (C2)
	AQ2 (G1)	VC15 (E2)	VC2 (A2)	VIC102 (C1)
	AQ3 (G1)	VC16 (F2)	VC20 (E2)	VIC106 (A1)
	AQ4 (G1)	VC17 (F2)	VC21 (E2)	VIC108 (B1)
	KD1 (C0)	VC18 (F2)	VC22 (E2)	VIC11 (E2)
	KD2 (C0)	VC19 (F2)	VC23 (E2)	VIC12 (E1)
	KD4 (G0)	VC12 (D2)	VC24 (E1)	VIC13 (E1)
	KIC02 (G0)	VC120 (F2)	VC25 (E0)	VIC3 (C2)
	KIC100 (F0)	VC121 (F1)	VC25 (E2)	VJW1 (F2)
	KIC101 (G0)	VC122 (F1)	VC26 (E0)	VL1 (D0)
	KQ1 (G0)	VC123 (F1)	VC27 (E0)	VL10 (D1)
	KQ2 (G0)	VC124 (F1)	VC28 (F0)	VL100 (C0)
	MIC1 (E2)	VC125 (E1)	VC29 (F0)	VL101 (E2)
	OR1 (F2)	VC126 (F1)	VC30 (F0)	VL11 (E1)
	OR2 (F2)	VC127 (F1)	VC31 (F0)	VL2 (C2)
	VC1 (A2)	VC128 (D1)	VC32 (F0)	VL3 (C0)
	VC10 (D1)	VC129 (E0)	VC33 (F0)	VL4 (C1)
	VC100 (B1)	VC129 (B2)	VC34 (F0)	VL5 (F2)
	VC101 (C0)	VC13 (D2)	VC35 (F0)	VQ1 (D2)
	VC102 (C1)	VC130 (E0)	VC36 (F0)	VQ2 (E2)
	VC103 (C2)	VC130 (C1)	VC37 (F0)	VQ3 (F2)
	VC104 (E2)	VC131 (F0)	VC38 (G0)	VQ4 (F2)
	VC105 (E1)	VC131 (D0)	VC39 (G0)	VQ5 (F2)
	VC106 (E1)	VC132 (F0)	VC4 (A1)	VQ5 (E2)
	VC107 (D1)	VC133 (D0)	VC5 (C0)	VQ6 (F2)
	VQ7 (C1)	VR125 (D1)	VR154 (G1)	VR183 (D1)
	VQ7 (E2)	VR126 (E1)	VR155 (G0)	VR19 (A1)
	VR1 (A2)	VR127 (E1)	VR156 (G0)	VR2 (A2)
	VR10 (A2)	VR128 (E2)	VR157 (F1)	VR20 (B1)
	VR100 (B0)	VR129 (F2)	VR158 (F1)	VR21 (B1)
	VR101 (C0)	VR13 (A1)	VR16 (A1)	VR22 (B1)
	VR102 (C0)	VR130 (E2)	VR160 (F1)	VR23 (B1)
	VR103 (C0)	VR131 (F2)	VR161 (F1)	VR24 (B1)
	VR104 (C0)	VR132 (F2)	VR162 (F1)	VR25 (B1)
	VR105 (C0)	VR133 (F2)	VR163 (F1)	VR26 (B1)
	VR106 (D0)	VR134 (F1)	VR164 (F0)	VR27 (B1)
	VR107 (D0)	VR135 (F1)	VR165 (F0)	VR28 (C1)
	VR107A (D1)	VR136 (F2)	VR166 (F0)	VR29 (C1)
	VR108 (C1)	VR137 (F2)	VR167 (F0)	VR3 (A2)
	VR109 (C1)	VR138 (G2)	VR168 (F0)	VR30 (C1)
	VR11 (B1)	VR139 (G2)	VR169 (G0)	VR31 (C1)
	VR110 (D1)	VR14 (A1)	VR17 (A1)	VR32 (C1)
	VR111 (D1)	VR140 (F2)	VR170 (G0)	VR33 (C1)
	VR112 (D1)	VR141 (F2)	VR171 (D0)	VR34 (B2)
	VR113 (C1)	VR142 (F2)	VR172 (D0)	VR35 (B2)
	VR114 (C1)	VR143 (G2)	VR173 (E0)	VR36 (D2)
	VR115 (C1)	VR144 (G2)	VR174 (D0)	VR37 (D0)
	VR116 (C1)	VR145 (G2)	VR175 (E0)	VR38 (D1)
	VR117 (D2)	VR146 (G2)	VR176 (E0)	VR39 (D1)
	VR118 (D2)	VR147 (G1)	VR176 (E2)	VR4 (A2)
	VR119 (D2)	VR148 (G1)	VR177 (E0)	VR40 (E1)
	VR12 (B1)	VR149 (G1)	VR178 (E0)	VR41 (E2)
	VR120 (D1)	VR15 (A1)	VR179 (E0)	VR42 (E2)
	VR121 (D2)	VR150 (G1)	VR18 (A1)	VR43 (E2)
	VR122 (D1)	VR151 (G1)	VR180 (F0)	VR44 (F2)
	VR123 (D1)	VR152 (G1)	VR181 (F0)	VR45 (F1)
	VR124 (D1)	VR153 (G1)	VR182 (C2)	VR46 (F1)
	VR47 (G1)	VR76 (E2)		
	VR48 (G1)	VR76 (F1)		
	VR49 (G1)	VR77 (C1)		
	VR5 (A2)	VR78 (C1)		
	VR50 (G1)	VR79 (C1)		
	VR51 (G1)	VR8 (A2)		
	VR52 (F1)	VR80 (D1)		
	VR53 (G1)	VR9 (A2)		
	VR54 (F0)			
	VR55 (F0)			
	VR56 (F0)			
	VR57 (F0)			
	VR58 (F0)			
	VR59 (F0)			
	VR6 (A2)			
	VR60 (F0)			
	VR61 (E0)			
	VR62 (E0)			
	VR63 (E0)			
	VR64 (F0)			
	VR65 (F0)			
	VR66 (F0)			
	VR67 (G0)			
	VR68 (G0)			
	VR69 (G0)			
	VR7 (A2)			
	VR70 (G0)			
	VR71 (G0)			
	VR72 (G0)			
	VR73 (G0)			
	VR74 (G0)			
	VR75 (F1)			

3-3-2 bottom View



3-4 Power



*** RESISTOR ***

PR10 (I1)
PR11 (D1)
PR11A (E1)
PR12 (D1)
PR13 (D0)
PR14 (D1)
PR15 (D0)
PR16 (E0)
PR18 (D3)
PR21 (F0)
PR23 (F0)
PR25 (F0)
PR26 (F0)
PR29 (G0)
PR30 (G0)
PR31 (G0)
PR32 (G0)
PR33 (G0)
PR34 (G0)
PR35 (G0)
PR36 (F1)
PR37 (F1)
PR38 (G0)
PR39 (H0)
PR40 (J0)
PR41 (J0)
PR42 (J0)
PR43 (J1)
PR44 (J1)

PR52 (I1)
PR53 (I1)
PR54 (G1)
PR55 (G1)
PR56 (H1)
PR57 (H1)
PR58 (H2)
PR59 (H2)
PR60 (H2)
PR61 (H2)
PR62 (I1)
PR63 (I1)
PR64 (I2)
PR65 (I2)
PR66 (I1)
PR71 (J2)
PR73 (I0)
PR74 (I0)
PR76 (D0)
PR78 (F0)
PR79 (F0)
PR8 (B1)
PR9 (C0)
PR45 (J1)
PR46 (J1)
PR47 (I1)
PR48 (J1)
PR49 (I1)
PR50 (H2)
PR51 (H2)

*** CONDENSER ***

PC10 (E0)
PC10A (B0)
PC11 (D0)
PC12 (D0)
PC13 (D0)
PC15 (D3)
PC16 (F0)
PC17 (F0)
PC19 (J1)
PC20 (J1)
PC21 (J1)
PC22 (J1)
PC23 (H3)
PC24 (H3)
PC25 (H1)
PC26 (H1)
PC27 (G1)
PC28 (G1)
PC3 (B2)
PC5 (B2)
PC6 (B2)
PCE25 (H2)

PCE26 (H3)
PCE27 (I0)
PCE3 (E1)
PCE4 (C2)
PCE5 (D2)
PCE6 (D2)
PCE7 (C2)
PZNR1 (B2)
PC7 (C1)
PC9 (E1)
PC9A (B0)
PCE10 (F2)
PCE13 (F2)
PCE14 (G3)
PCE16 (F1)
PCE17 (F0)
PCE2 (D0)
PCE20 (F2)
PCE21 (F1)
PCE22 (J0)
PCE23 (J0)
PCE23A (J0)

*** DIODE ***

PD12 (I0)
PD13 (J1)
PD14 (J1)
PD15 (J2)
PD16 (J2)
PD17 (H1)
PD18 (H1)
PD19 (H2)
PD2 (C1)
PD20 (H2)
PD21 (H1)
PD22 (H1)
PD3 (E1)
PD4 (D1)
PD5 (C2)
PD6 (C2)
PDZ1 (C0)
PDZ2 (E1)
PDZ3 (D0)
PDZ4 (D3)
PDZ5 (H0)

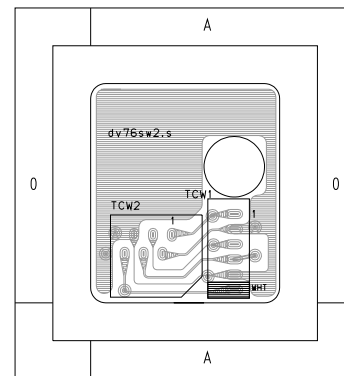
*** TR ***

PIC3 (F0)
PQ1 (G0)
PQ10 (I1)
PQ11 (I2)
PQ12 (I2)
PQ17 (J2)
PQ18 (I0)
PQ2 (G0)
PQ3 (G0)
PQ4 (G0)
PQ7 (I0)
PQ8 (I0)
PQ9 (I1)

*** IC&WAFER ***

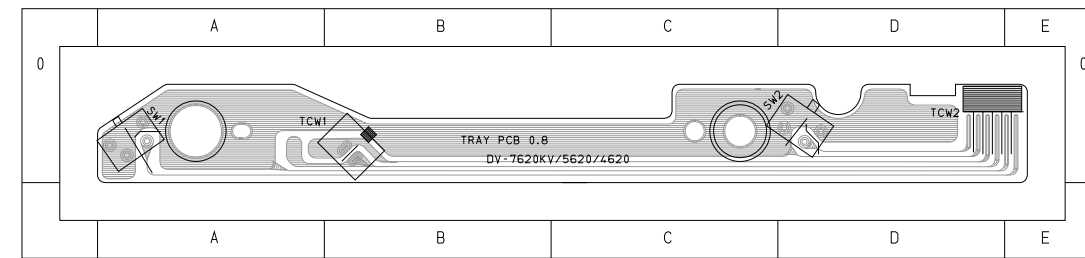
PCW2 (J2)
PCW3 (G3)
PCW4 (K2)
PCW5 (H3)
PIC1 (D0)
PIC6 (G0)
PIC7 (J1)

3-5 Tray



*** IC&WAFER ***

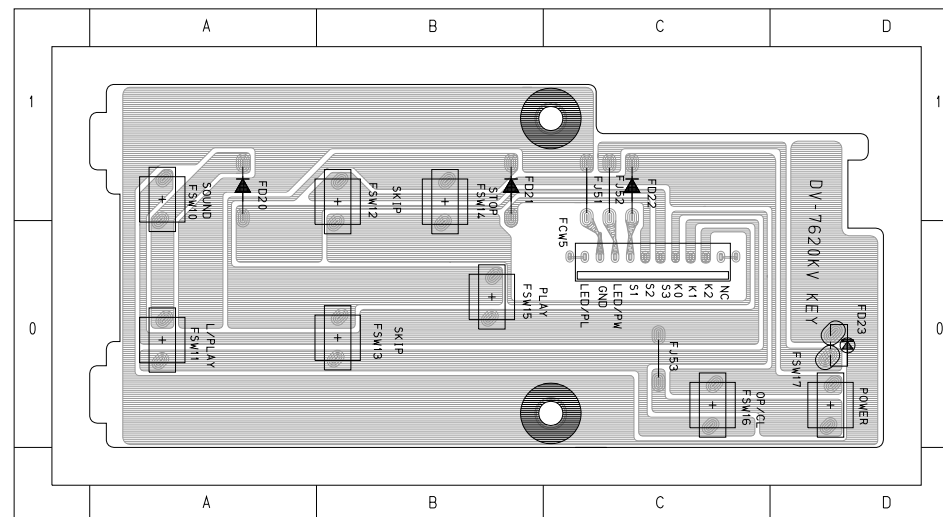
TCW1 (A0)



*** IC&WAFER ***

TCW1 (B0)

3-6 Key



*** DIODE ***

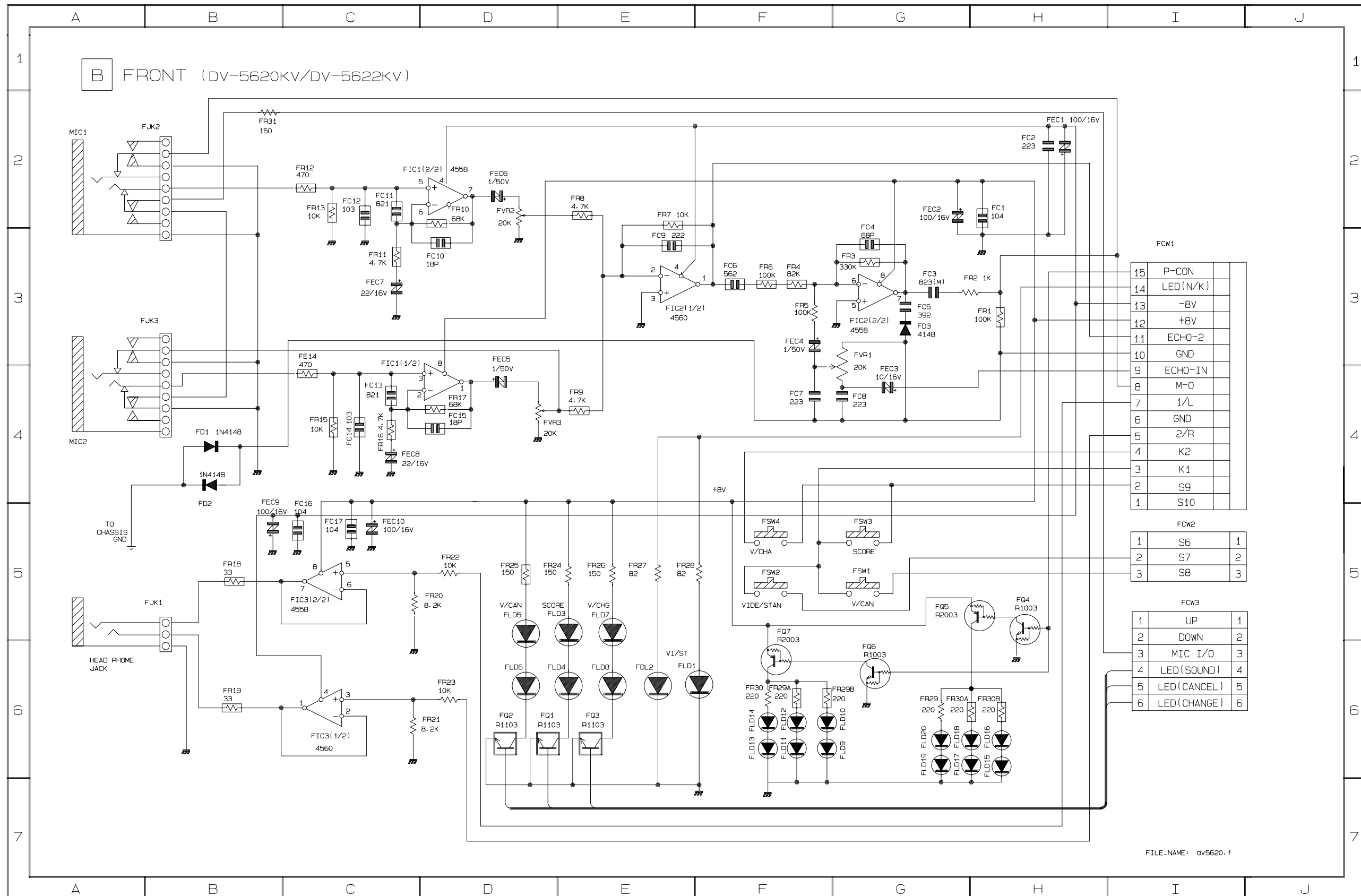
FD20 (A1)
FD21 (B1)
FD22 (C1)

*** IC&WAFER ***

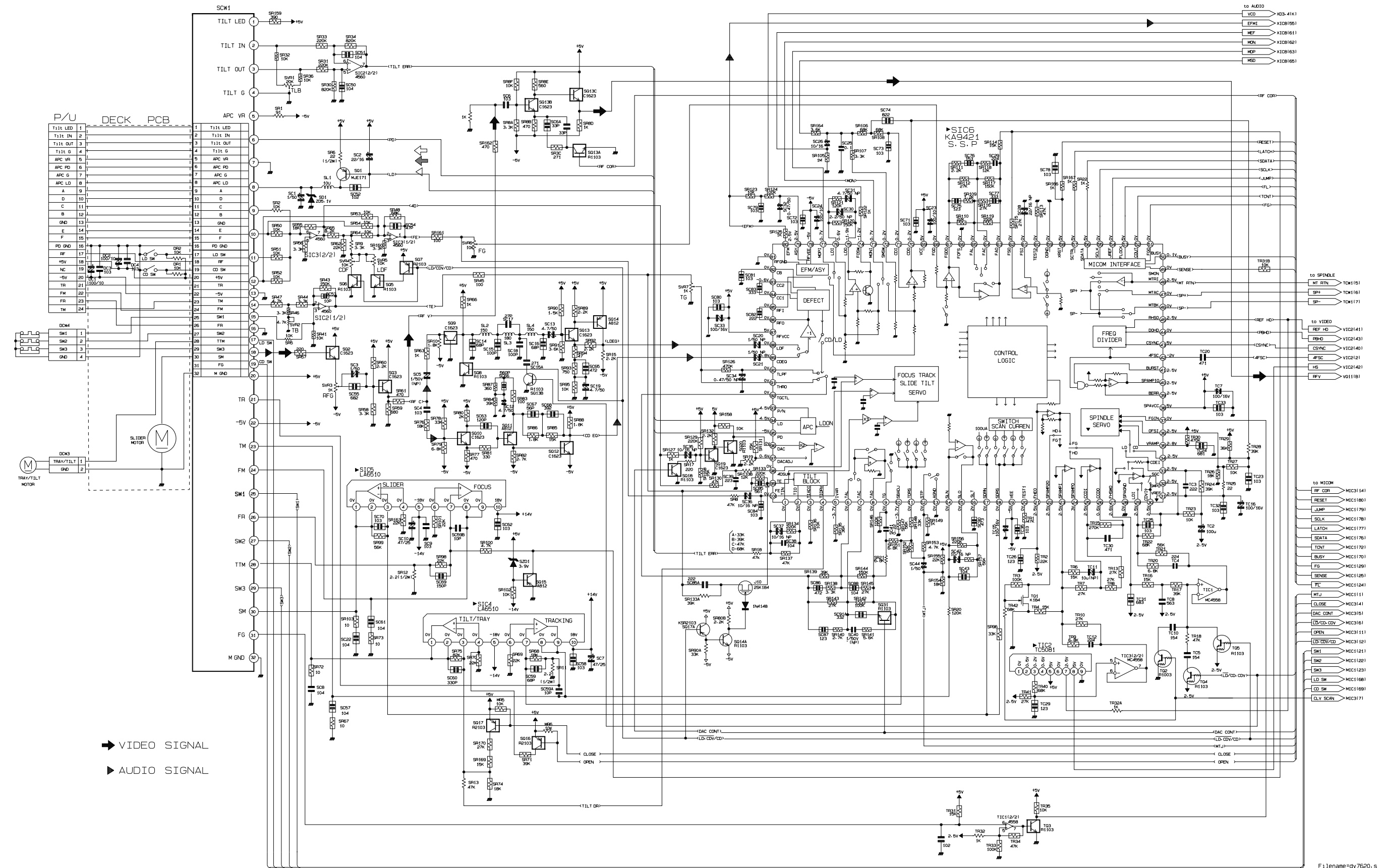
FSW10 (A1)
FSW11 (A0)
FSW12 (B1)
FSW13 (B0)
FSW14 (B1)
FSW15 (B0)
FSW16 (C0)
FSW17 (D0)

4.Schematic Diagram

4-1.Front (DV5620KV)

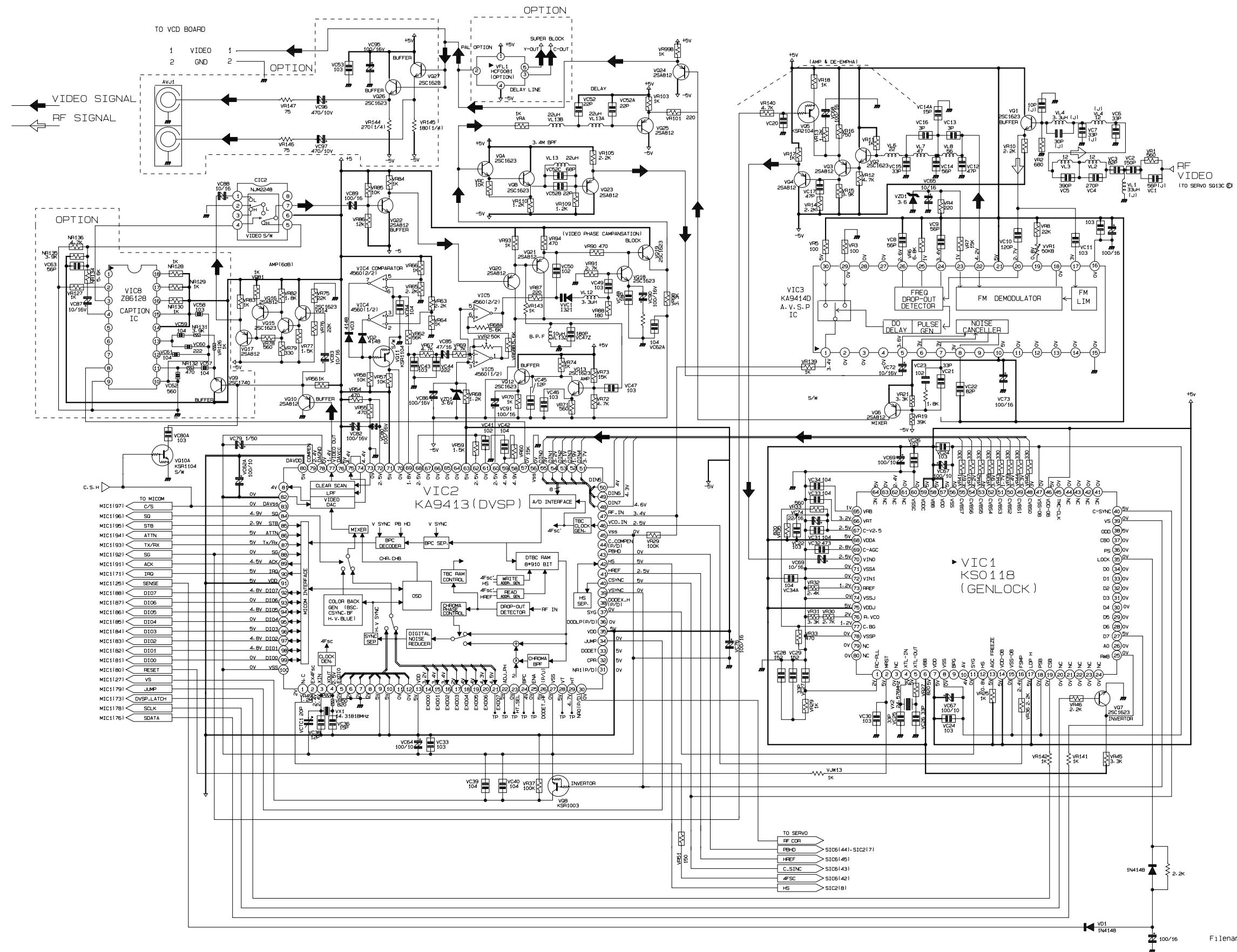


4-2. Main (1/4 Servo Section, DV5620KV /DV4620V)



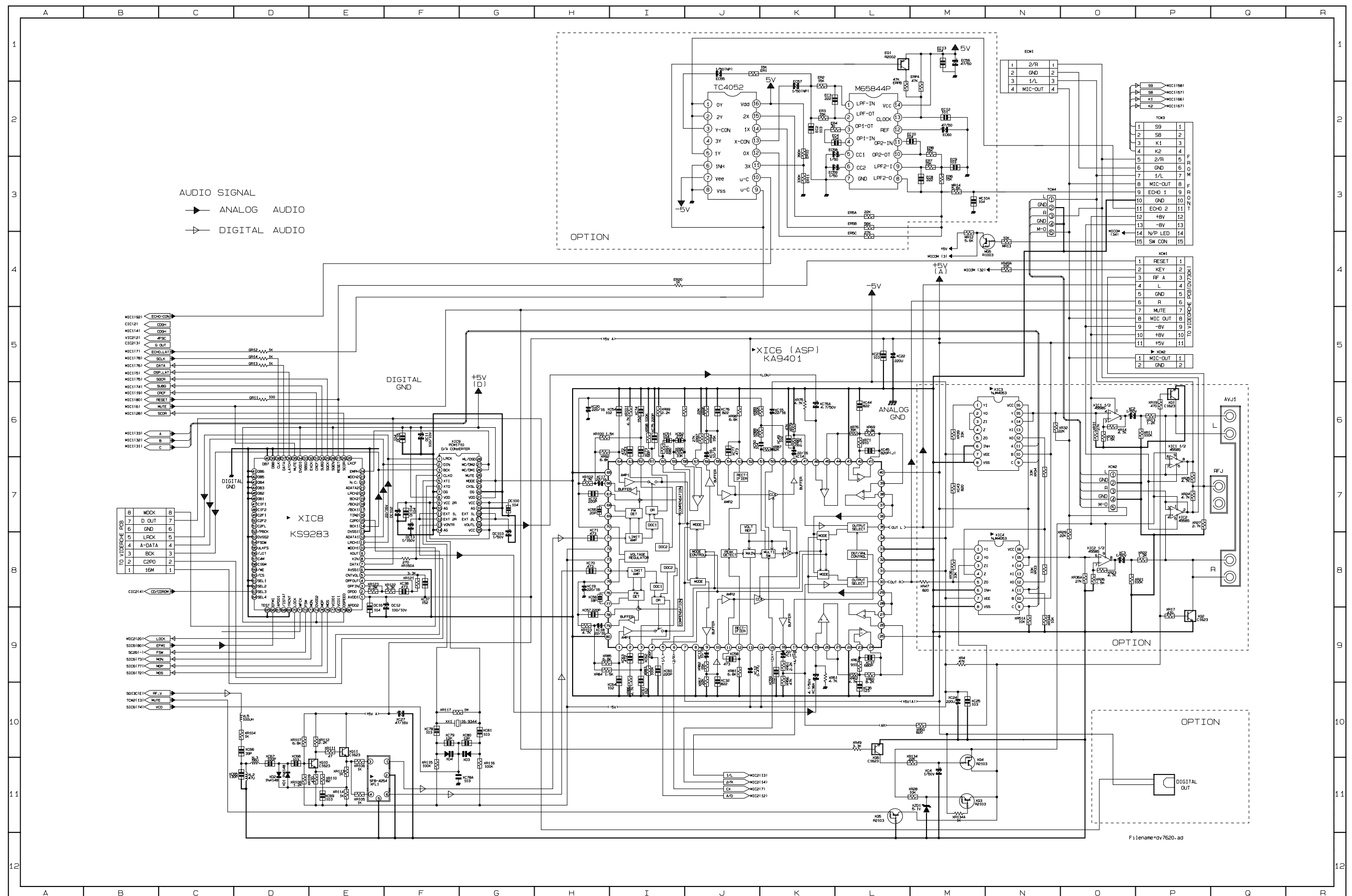
F11name=dv7620.s

4-3. Main (2/4 LD Video Section, DV5620KV /DV4620V)

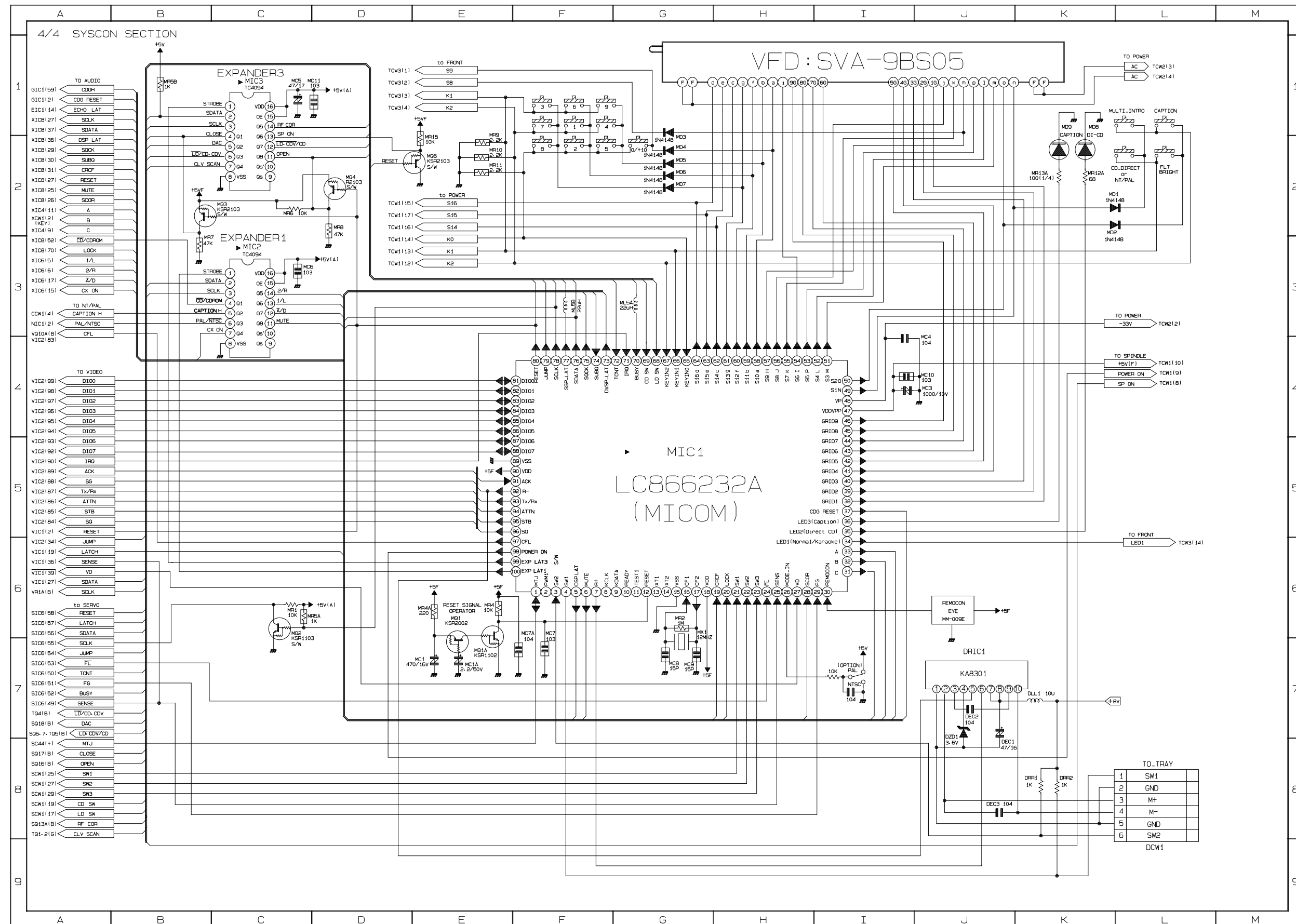


F:\name=dv 7620. v1

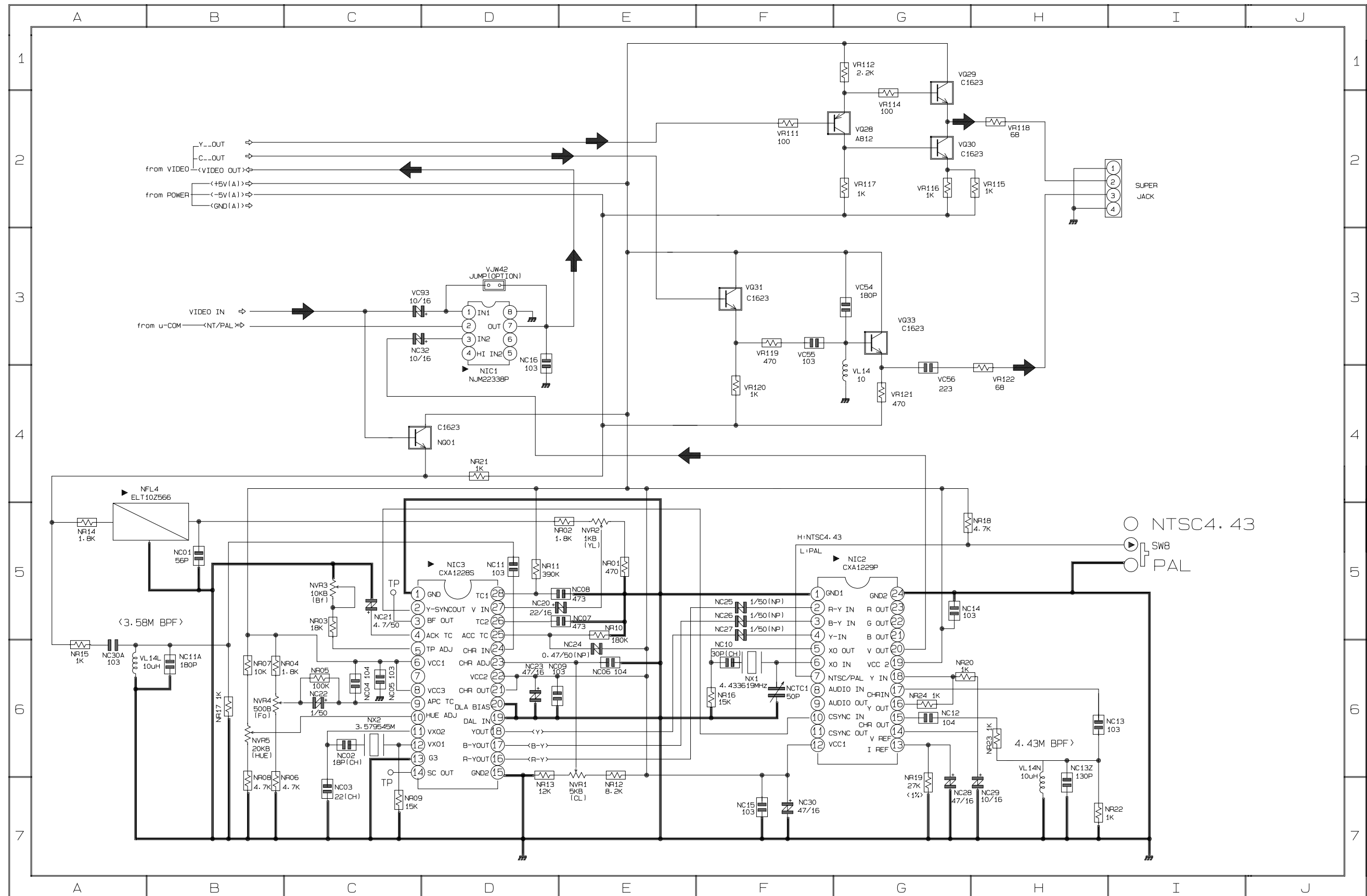
4-4. Main (3/4 Audio Section, DV5620KV /DV4620V)



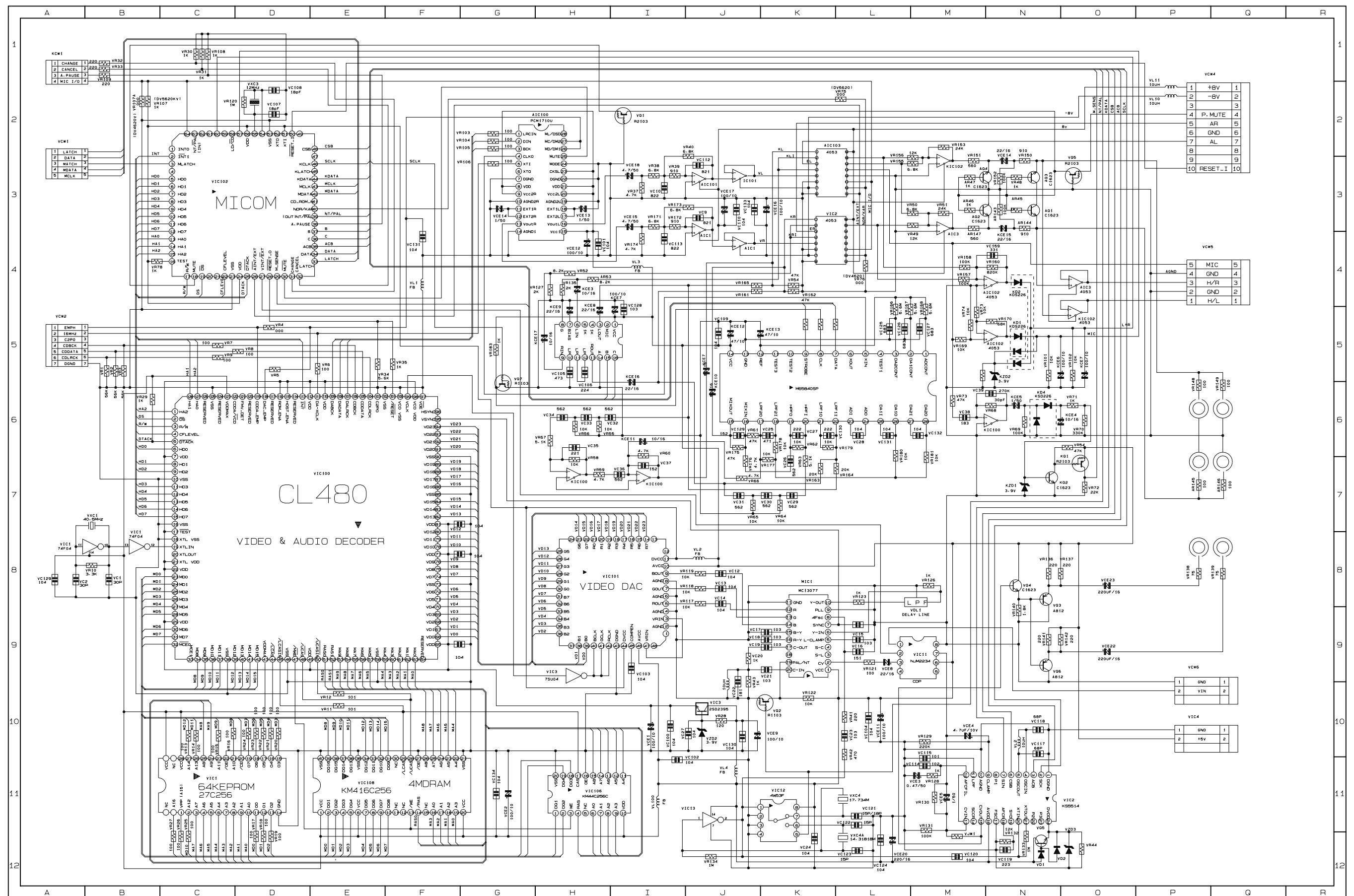
4-5. Main (4/4 Syscon Section, DV5620KV/DV4620V)



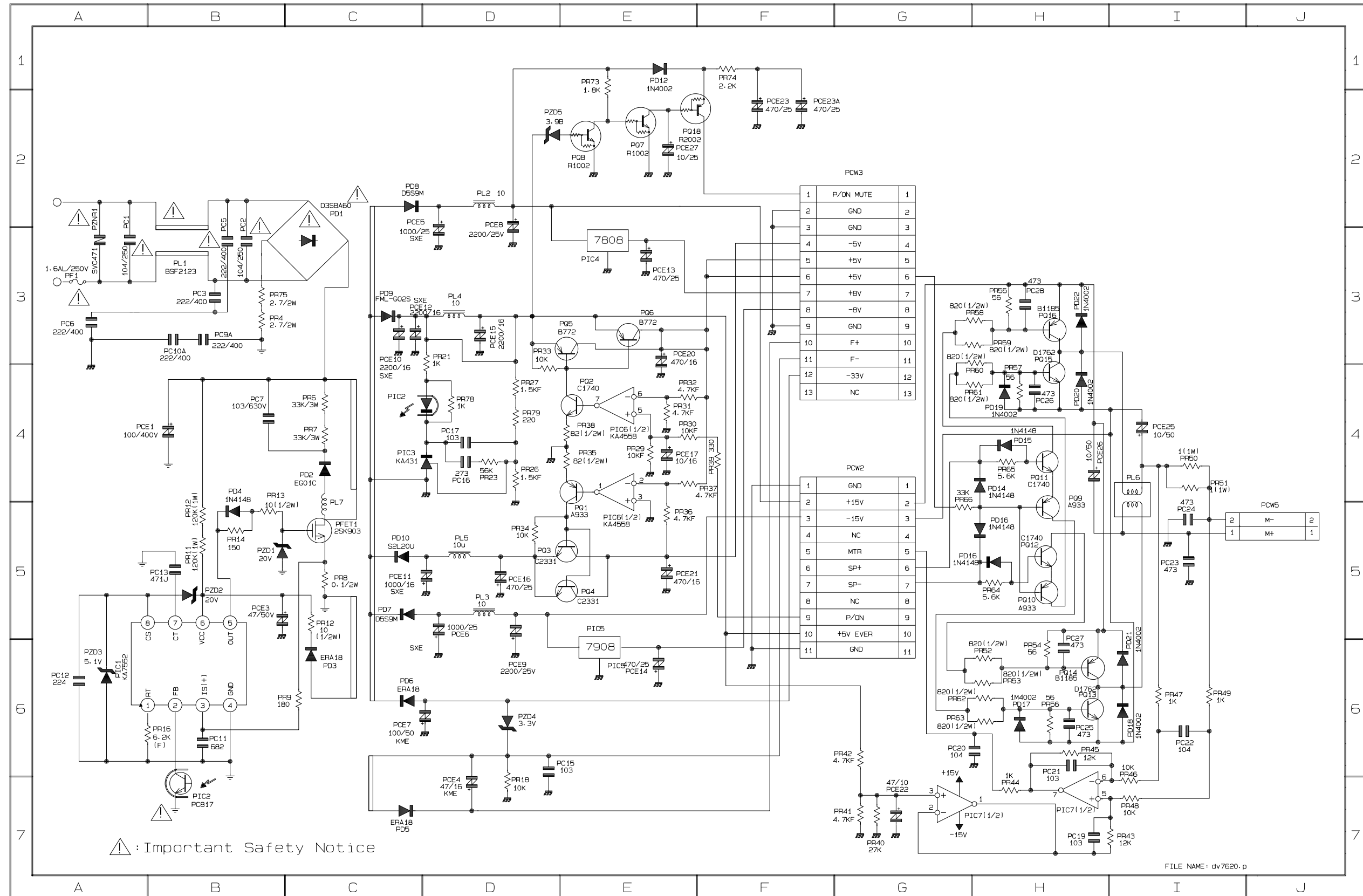
4-6. Main (NTSC / PAL Section)



4-7. Video-CD (DV5620KV /DV4620V)



4-8. Power (DV5620KV/DV4620V)



5. Exploded View and Parts List

5-1 Cabinet front parts

5-1-1 Exploded ploded view Parts list : DV5620KV

NO	CODE NO.	DESCRIPTION	SPECIFICATION	QTY	REMARK
1	AH64-30364A	CABINET-FRONT	ABS 94HB BLACK	1	CHN
2	AH64-50312B	DOOR-GUIDE	ABS 94HB BLACK	1	CHN
3	AH64-40371A	DECORATION-DOOR	PC BLACK	1	
4	AH64-40370A	WINDOW-FLT	ACRYL IF850 41802	1	CHN
5	AH67-20011A	REFELETOR	ACRYL CLEAR	1	
6	AH64-11055A	KNOB-POWER	ABS 94HB BLACK	1	
7	AH64-11056A	KNOB-PLAY	ABS 94HB BLACK	1	
8	AH64-11057A	KNOB-STOP	ABS 94HB BLACK	1	
9	AH67-10119A	LENS-POWER	ACRYL MILKY	1	
10	AH64-11059A	KNOB-10	ABS BLACK	1	
11	AH64-11060A	KNOB-CD	ABS BLACK	1	
12	AH64-11063A	KNOB-DISC (A)	ACRYL MILKY	1	
13	AH64-11064A	KNOB-DISC (B)	ACRYL MILKY	1	
14	AH61-10642A	BRKT-HINGE	SECC 1.0T	2	
15	AH61-10643A	BRKT-DOOR	SECC 1.0T BLACK	1	
16	AH61-10644A	BRKT-DAMPER	SECC 1.0T BLACK	1	
17	AH61-20405A	HOLDER-KEYCON	PC BLACK	1	
18	AH61-20404A	HOLDER-KARAOKE	PC BLACK	1	
19	AH64-11091A	KNOB-KARAOKE	ABS BLACK	1	
20	AH64-11092A	KNOB-KEYCON	ABS CLEAR	3	
21	AH69-20018A	CUSHION-STOPPER	RUBBER BLACK	2	
22	AH61-80005A	DAMPER-GEAR	DP802 SKY BLUE	1	
23	AH63-30201A	COVER-FRONT	ABS 94HB BLACK	1	CHN
24	AH61-60325A	SPRING-DOOR	STS PI0.7	1	
25	AH64-70003F	BADGE-BRAND	AL GOLD 35MM	1	

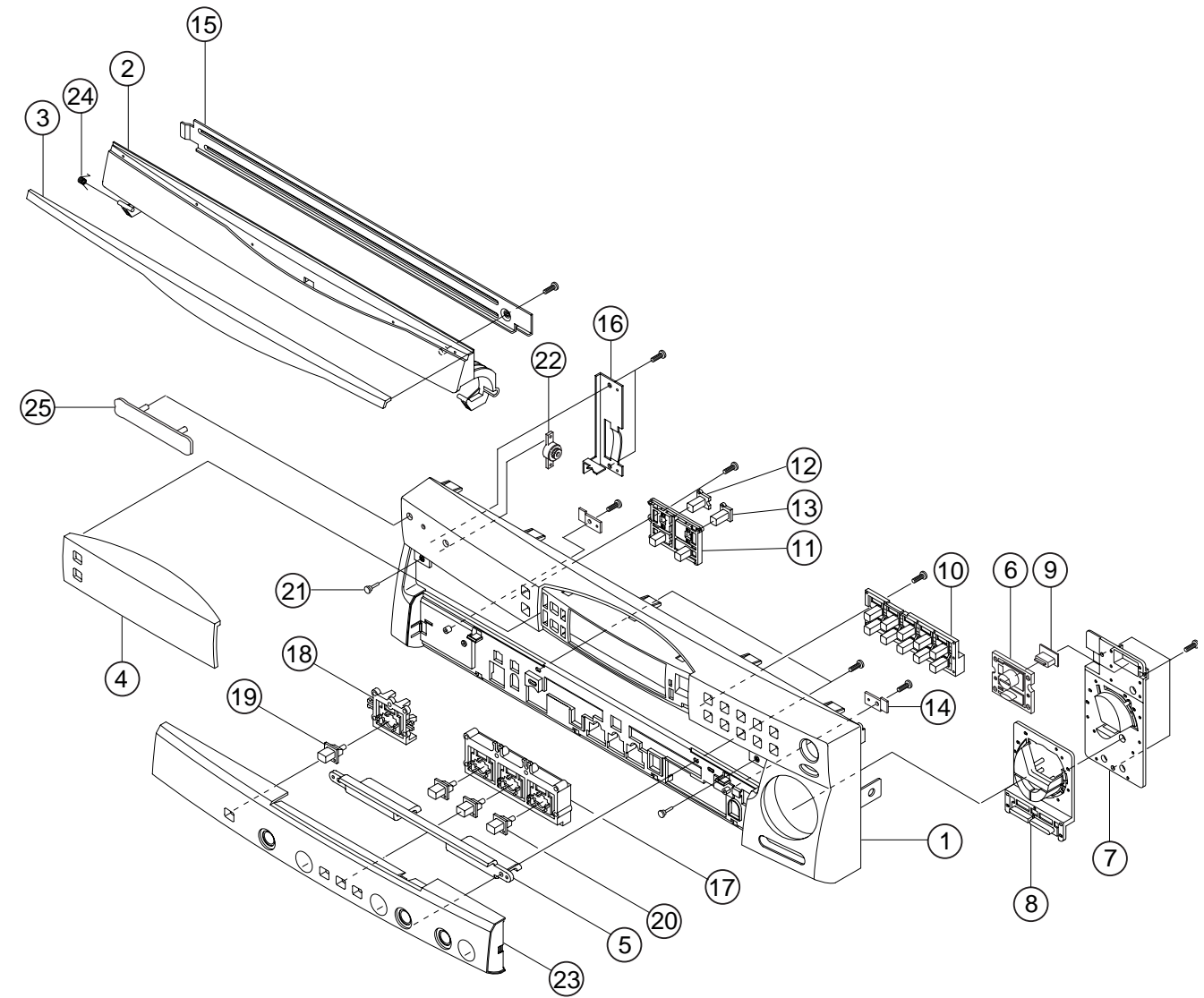


Fig5-1. Cabinet front Exploded View : DV5620KV

5-1-2 Exploded ploded view Parts list : DV4620V

NO	CODE NO.	DESCRIPTION	SPECIFICATION	Q.ITY	REMARK
1	AH64-30364A	CABINET-FRONT	ABS 94HB BLACK	1	CHN
2	AH64-50312C	DOOR-GUIDE	ABS 94HB BLACK	1	CHN
3	AH64-40371A	DECORATION-DOOR	PC BLACK	1	
4	AH64-40370A	WINDOW-FLT	ACRYL IF850 41802	1CHN	
5	AH67-20011A	REFELETOR	ACRYL CLEAR1		
6	AH64-11055A	KNOB-POWER	ABS 94HB BLACK	1	
7	AH64-11056A	KNOB-PLAY	ABS 94HB BLACK	1	
8	AH64-11057A	KNOB-STOP	ABS 94HB BLACK	1	
9	AH67-10119A	LENS-POWER	ACRYL MILKY	1	
10	AH64-11059A	KNOB-10	ABS BLACK	1	
11	AH64-11060A	KNOB-CD	ABS BLACK	1	
12	AH64-11063A	KNOB-DISC (A)	ACRYL MILKY	1	
13	AH64-11064A	KNOB-DISC (B)	ACRYL MILKY	1	
14	AH61-10642A	BRKT-HINGE	SECC 1.0T	2	
15	AH61-10643A	BRKT-DOOR	SECC 1.0T BLACK	1	
16	AH61-10644A	BRKT-DAMPER	SECC 1.0T BLACK	1	
17	AH69-20018A	CUSHION-STOPPER	RUBBER BLACK	2	
18	AH61-80005A	DAMPER-GEAR	DP802 SKY BLUE	1	
19	AH63-30202A	COVER-FRONT	ABS 94HB BLACK	1	CHN
20	AH61-60325A	SPRING-DOOR	STS PI0.7	1	
21	AH64-70003F	BADGE-BRAND	AL GOLD 35MM	1	

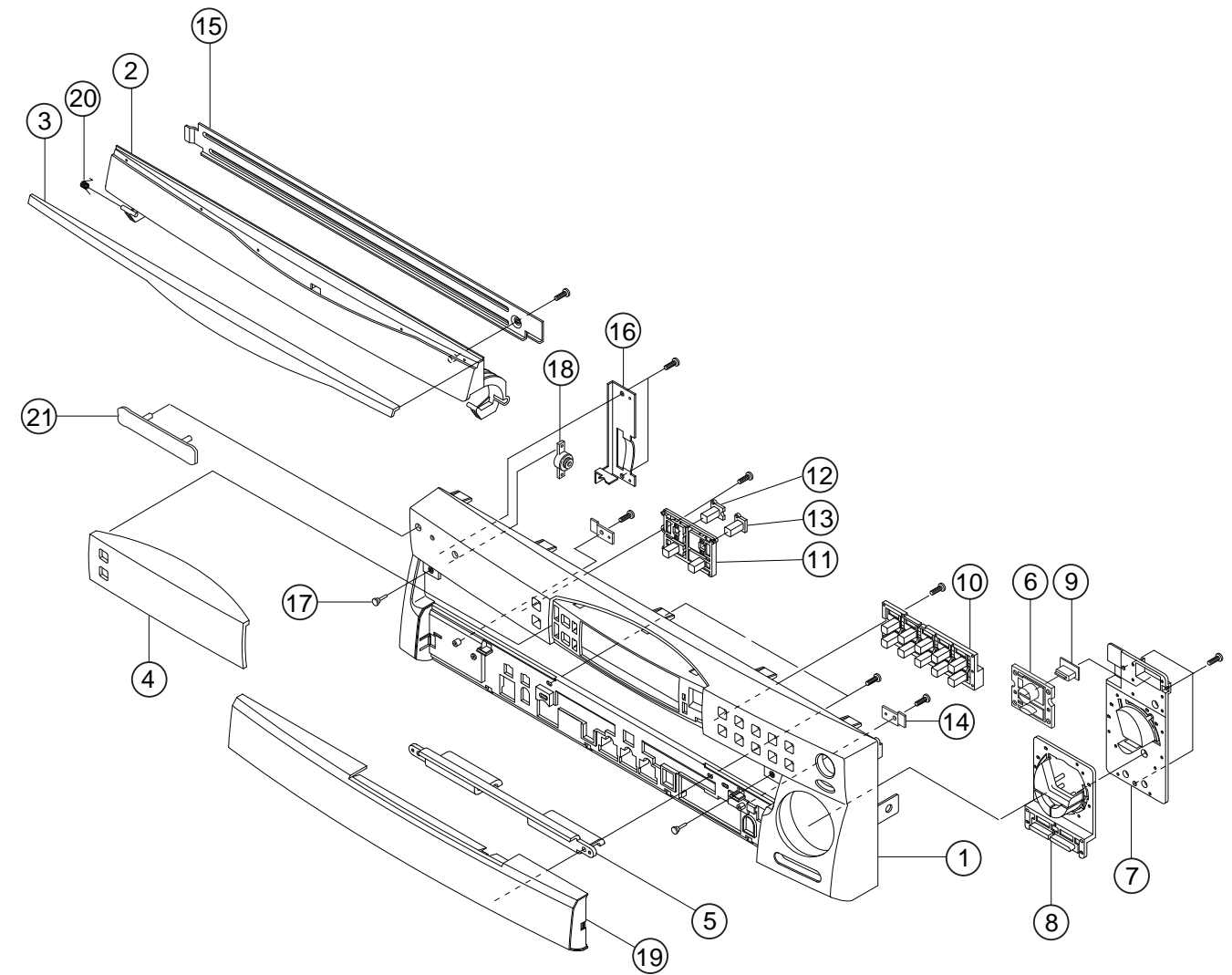


Fig5-2. Cabinet front Exploded View : DV4620V

5-2 Main Mechanical Parts

5-2-1 Main Mechanical exploded view : DV5620KV /DVC4620V

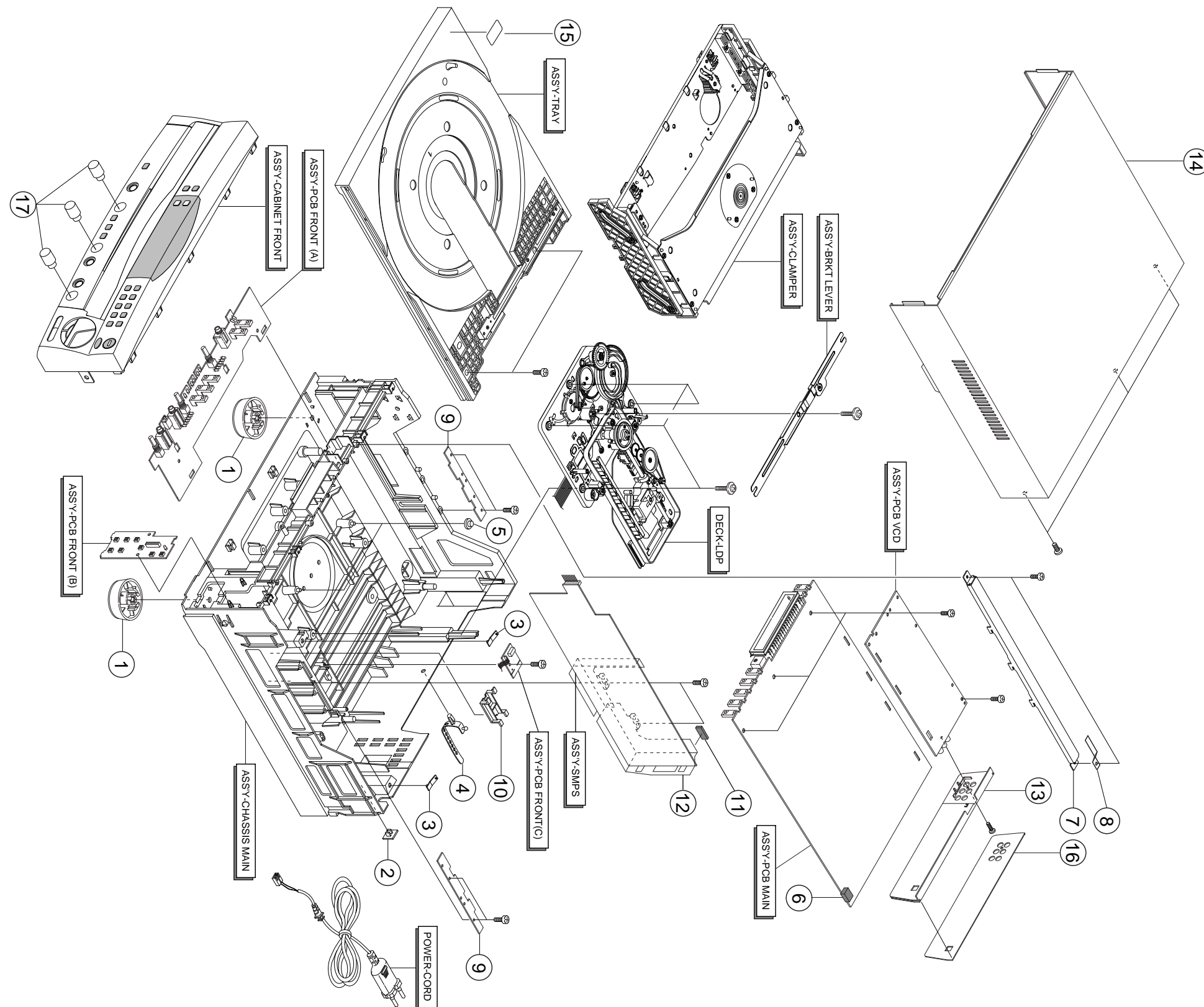


Fig 5-3. Main Mechanical Exploded View(DV5620KV)

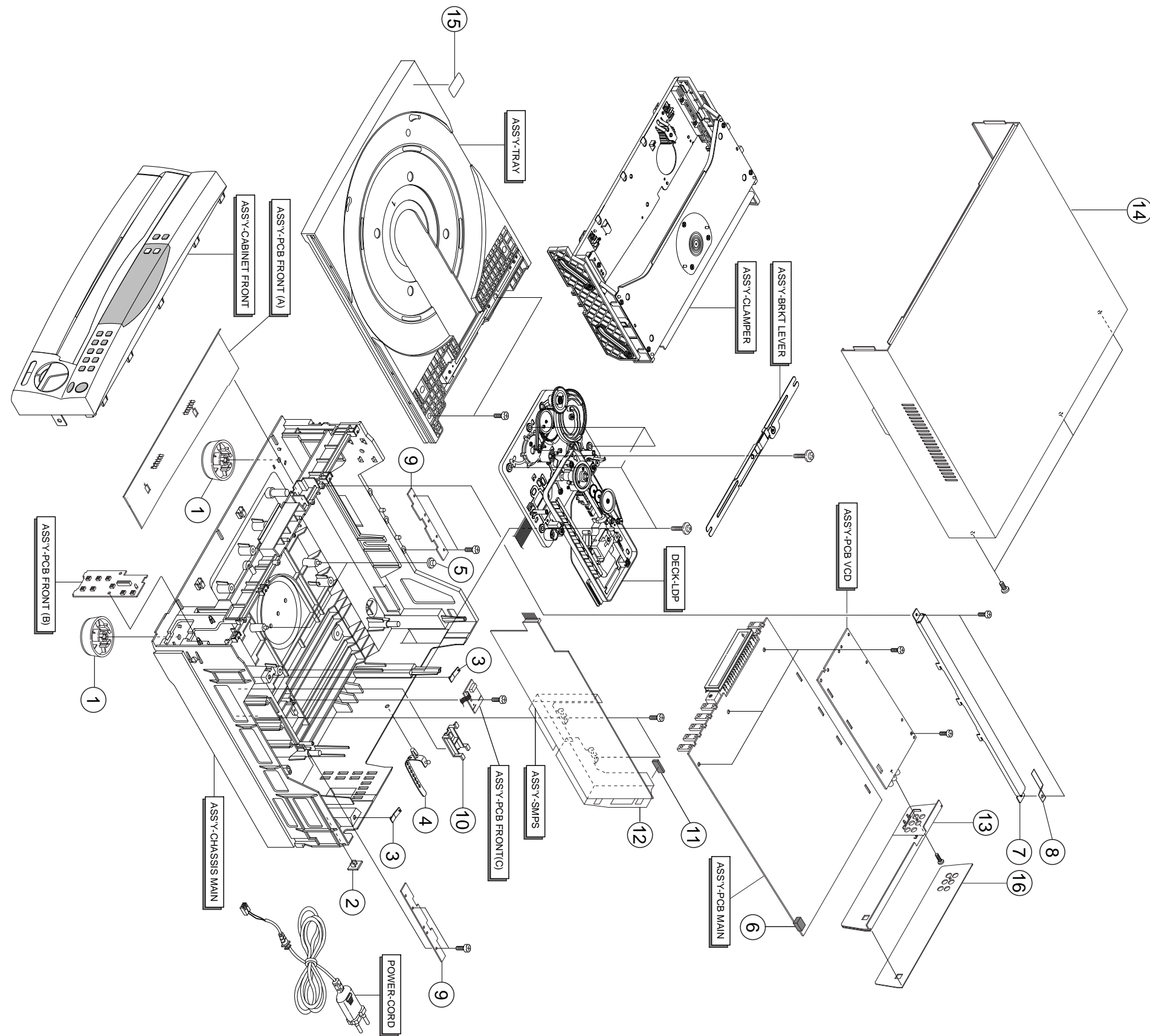


Fig 5-4. Main Mechanical Exploded View(DV4620V)

5-2-1. Parts Lists : DV5620KV/DV4620V**EXPLODED VIEW PARTS LIST(DV-5620KV)**

NO	CODE-NO	DESCRIPTION	SPECIFICATION	Q _i TY	REMARK
	AH90-30450C	ASS;Y1-PCB MAIN	DV-5620KV	1	CHN
	AH90-10601C	ASS;Y1-PCB FRONT(A) ASS;Y1-PCB FRONT(B)(C)	DV-5620KV	1	
	AH90-10669A	ASS;Y1-PCB VCD	DV-5620KV	1	CHN
	AH90-10603B	ASS;Y1-PCB SMPS	DV-7620KV	1	CHN
	AH39-10002Y	POWER-CORD	CP2 KCLE-2F 1.5M		
	AJ59-20150H	DECK-LDP	CVM55R2 EXP	1	
	AH95-50200A	ASS;Y1-CLAMPER(2CD)	DV-7620KV	1	
	AH95-50201A	ASS;Y1-TRAY(2CD)	DV-7620KV	1	
	AH95-50202A	ASS;Y1-BRKT-LEVER	DV-7620KV	1	
	AH95-10308B	ASS;Y1-CABINET FRONT	DV-7620KV	1	CHN
	AH95-30050A	ASS;Y1-CHASSIS MAIN	DV-7620KV	1	EXP
1.	AH64-80030A	FOOT-DECORATION	ABS 94HB BLK	2	
2.	AH63-30081A	COVER-VOLTAGE	ABS 94HB BLK	1	
3.	AH61-20279A	HOLDER-PWB	NYLON 12 WHITE	2	
4.	AH65-20001A	CABLE-CLAMP	PE BLK	1	
5.	16154-507-910	RUBBER-CHASSIS	SILICON 60	2	
6.	16804-521-510	CUSHION-DECK	EVA SPONGE T7	1	
7.	AH61-10151A	BRKT-PCB	SECC T1.2	1	
8.	AH61-10513A	BRKT-PCB	PBS T0.2 YELLOW	1	
9.	AH61-10618A	BRKT-HOLDER	SECC T1.6	2	
10.	AH63-30185A	COVER-WIRE	ABS 94HB BLK	1	
11.	AH63-70110A	SHEET-CUSHION	EVA SPONGE T4.5	1	
12.	AH61-10620A	BRKT-SHIELD(A)	SPTT T0.5	1	
13.	AH63-30056(A)	COVER-REAR	ABS 94HB BLK	1	
14.	AH63-30240G	CABINET-TOP	SECC+VINYL T0.75 BLK	1	
15.	AH68-50272F	LABEL-DISC	TETRON PAPER T0.3	1	EXP
16.	AH68-50017F	LABEL-JACK	PVC T0.5 BLK	1	EXP
17.	AH64-11062A	KNOB-VOLUME	ABS 94HB BLK	3	

EXPLODED VIEW PARTS LIST(DV-4620V)

NO	CODE-NO	DESCRIPTION	SPECIFICATION	Q _i TY	REMARK
	AH90-10716A	ASS;Y1-PCB MAIN	DV-4620V	1	CHN
	AH90-10706A	ASS;Y1-PCB FRONT(A) ASS;Y1-PCB FRONT(B)(C)	DV-4620V	1	
	AH90-10716B	ASS;Y1-PCB VCD	DV-4620V	1	CHN
	AH90-10603B	ASS;Y1-PCB SMPS	DV-7620KV	1	CHN
	AH39-10002Y	POWER-CORD	CP2 KCLE-2F 1.5M		
	AJ59-20150H	DECK-LDP	CVM55R2 EXP	1	
	AH95-50200A	ASS;Y1-CLAMPER(2CD)	DV-7620KV	1	
	AH95-50201A	ASS;Y1-TRAY(2CD)	DV-7620KV	1	
	AH95-50202A	ASS;Y1-BRKT-LEVER	DV-7620KV	1	
	AH95-10308B	ASS;Y1-CABINET FRONT	DV-7620KV	1	CHN
	AH95-30050A	ASS;Y1-CHASSIS MAIN	DV-7620KV	1	EXP
1.	AH64-80030A	FOOT-DECORATION	ABS 94HB BLK	2	
2.	AH63-30081A	COVER-VOLTAGE	ABS 94HB BLK	1	
3.	AH61-20279A	HOLDER-PWB	NYLON 12 WHITE	2	
4.	AH65-20001A	CABLE-CLAMP	PE BLK	1	
5.	16154-507-910	RUBBER-CHASSIS	SILICON 60	2	
6.	16804-521-510	CUSHION-DECK	EVA SPONGE T7	1	
7.	AH61-10151A	BRKT-PCB	SECC T1.2	1	
8.	AH61-10513A	BRKT-PCB	PBS T0.2 YELLOW	1	
9.	AH61-10618A	BRKT-HOLDER	SECC T1.6	2	
10.	AH63-30185A	COVER-WIRE	ABS 94HB BLK	1	
11.	AH63-70110A	SHEET-CUSHION	EVA SPONGE T4.5	1	
12.	AH61-10620A	BRKT-SHIELD(A)	SPTT T0.5	1	
13.	AH63-30056(A)	COVER-REAR	ABS 94HB BLK	1	
14.	AH63-30240G	CABINET-TOP	SECC+VINYL T0.75 BLK	1	
15.	AH68-50272F	LABEL-DISC	TETRON PAPER T0.3	1	EXP
16.	AH68-50017F	LABEL-JACK	PVC T0.5 BLK	1	EXP

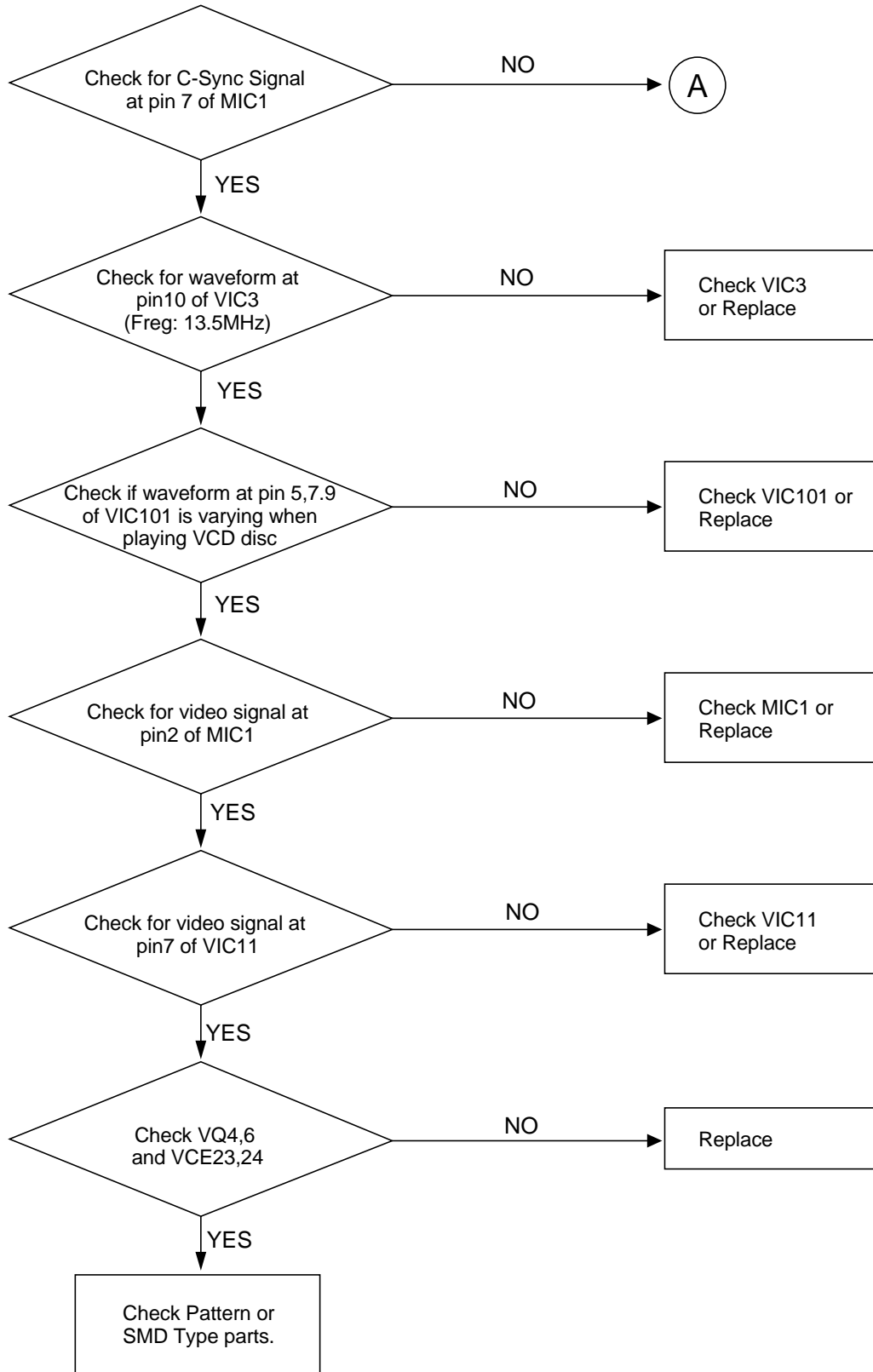
6. Troubleshooting

When troubleshooting, make sure the disc is not dirty or warped.

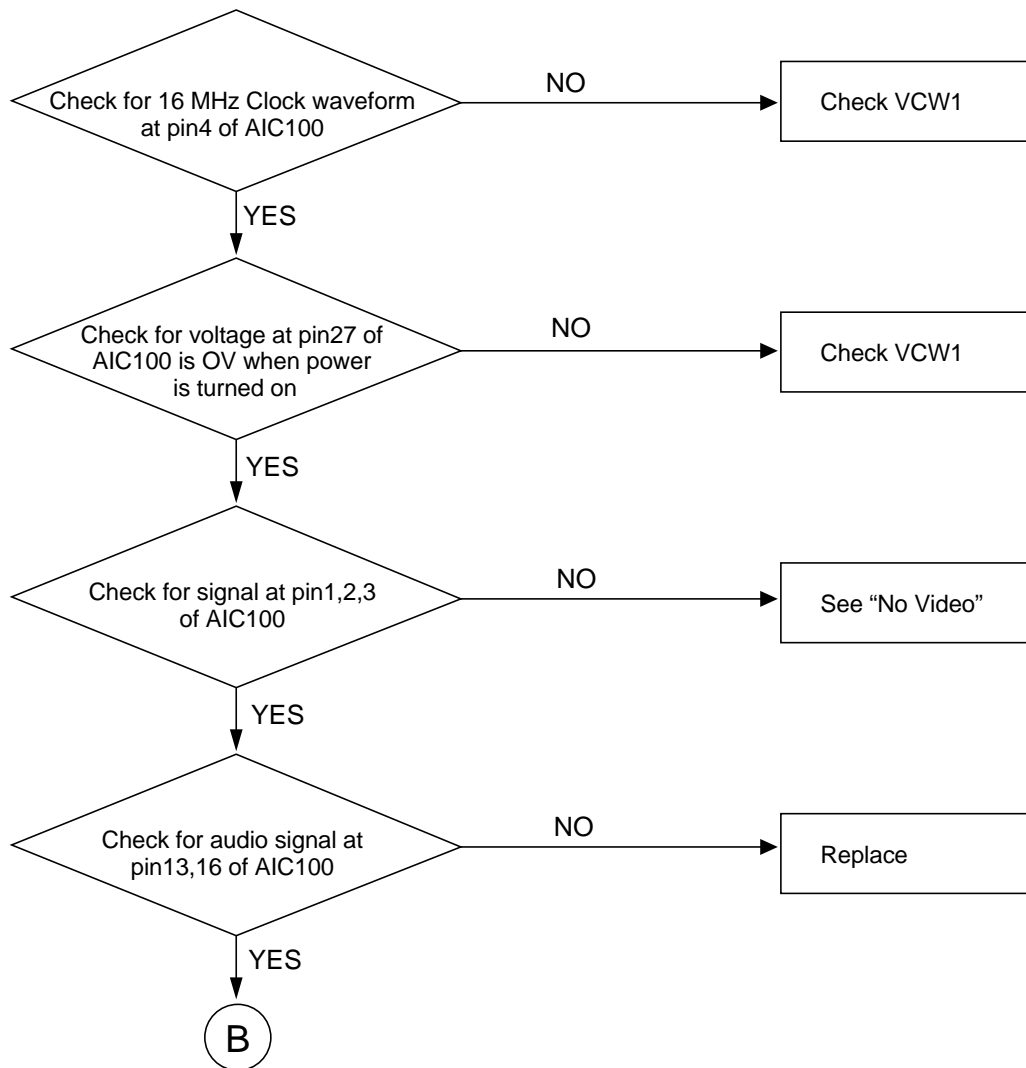
Check all connection between VCD PCB and main PCB

Check all supply voltage (+8V,-8V,+5V,-5V)

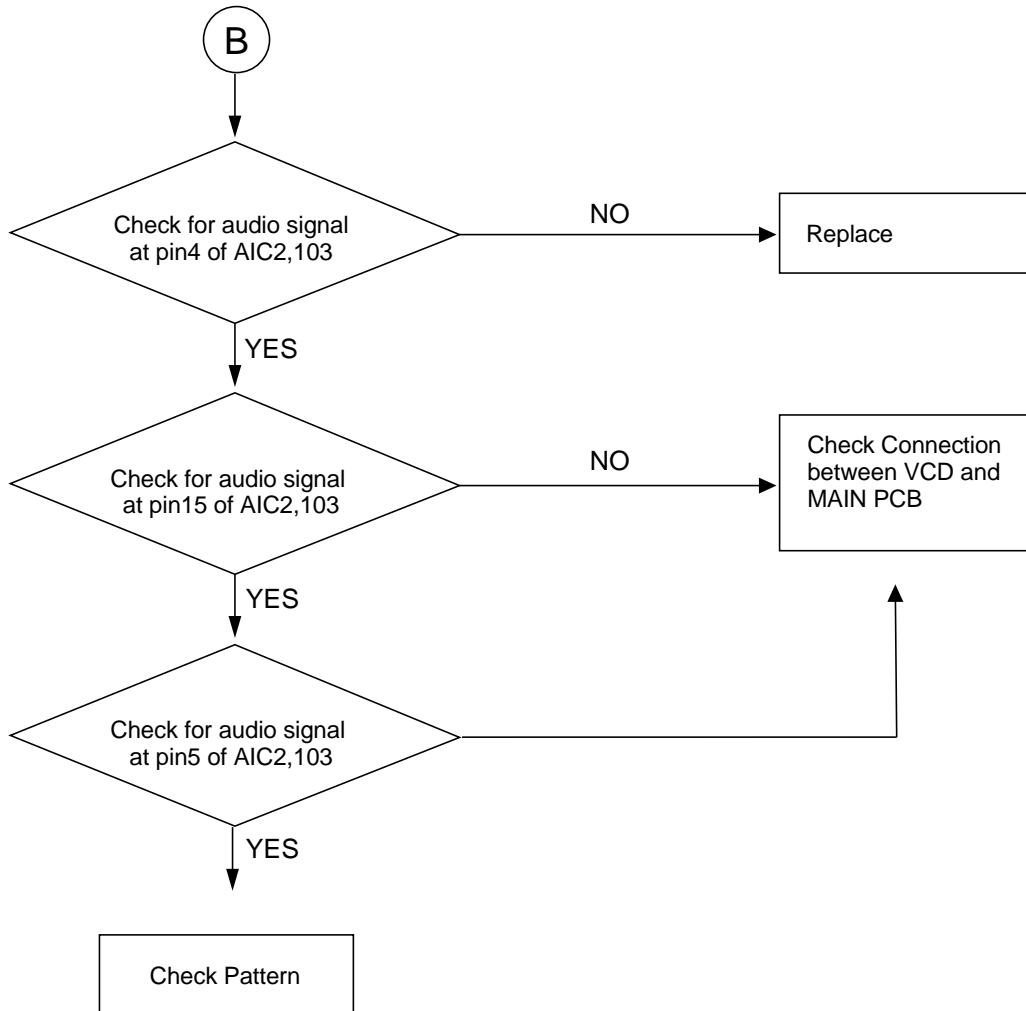
6-1 No Video.(Video CD)



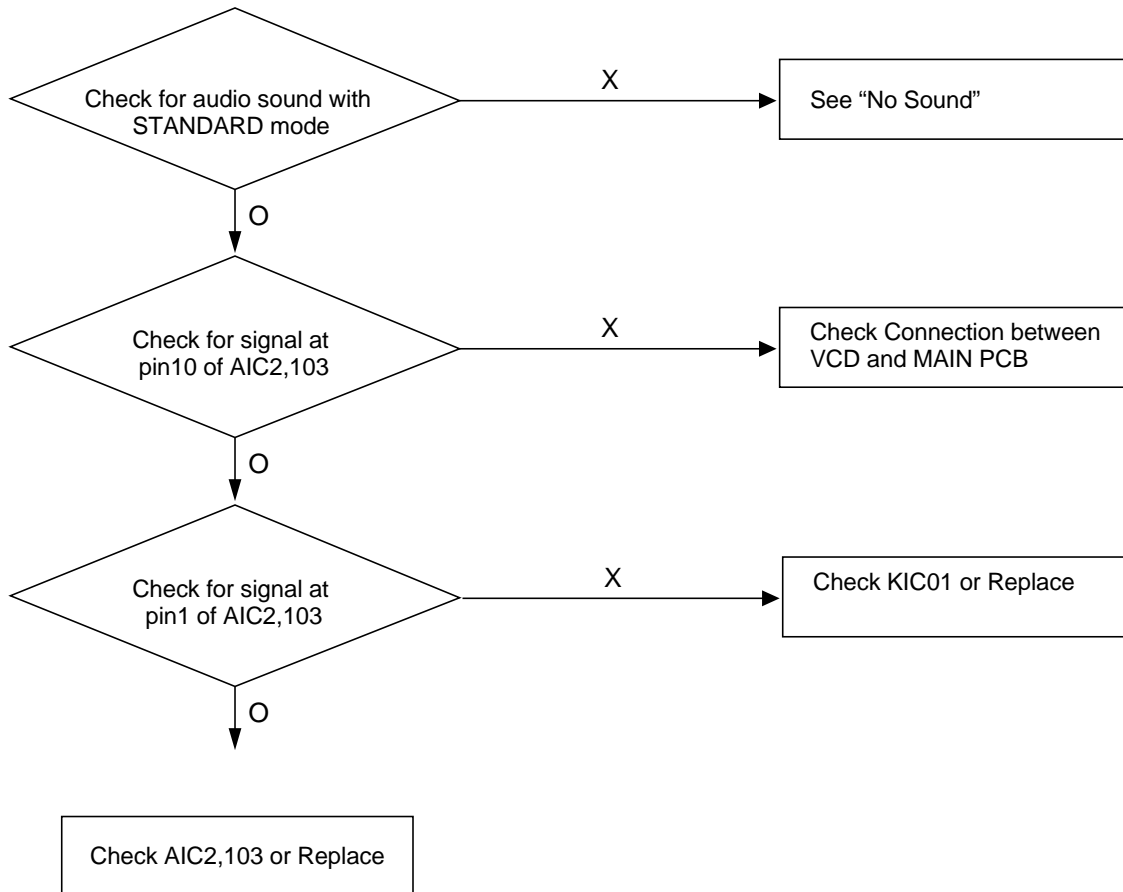
6-2 No digital sound(VCD1.1,VCD2.0,CD,LD DIGITAL)



6-3 No analog audio(LD Analog)

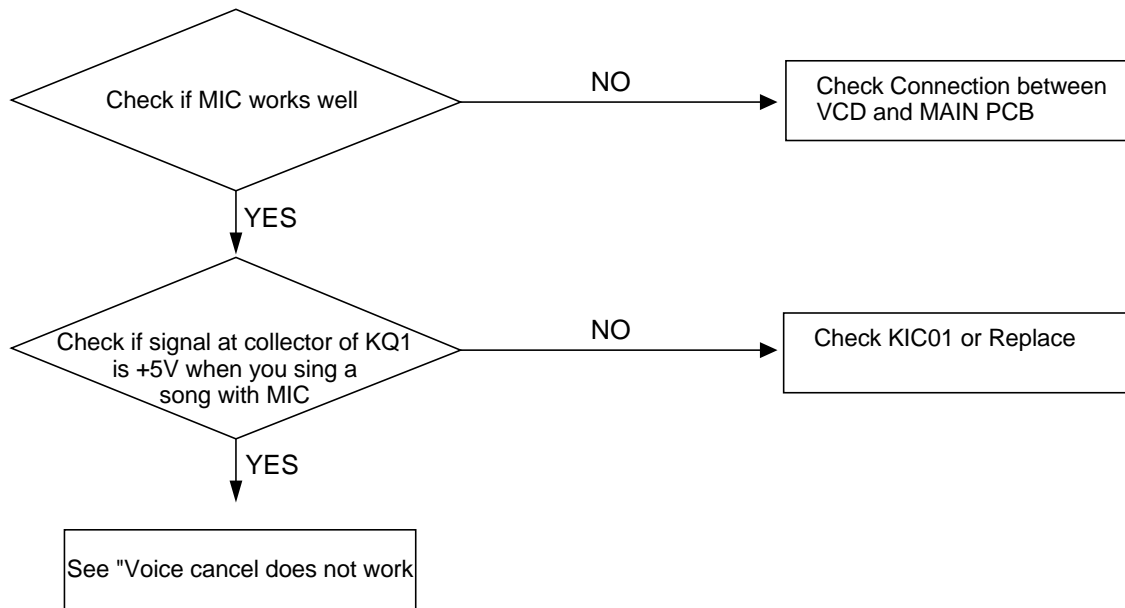


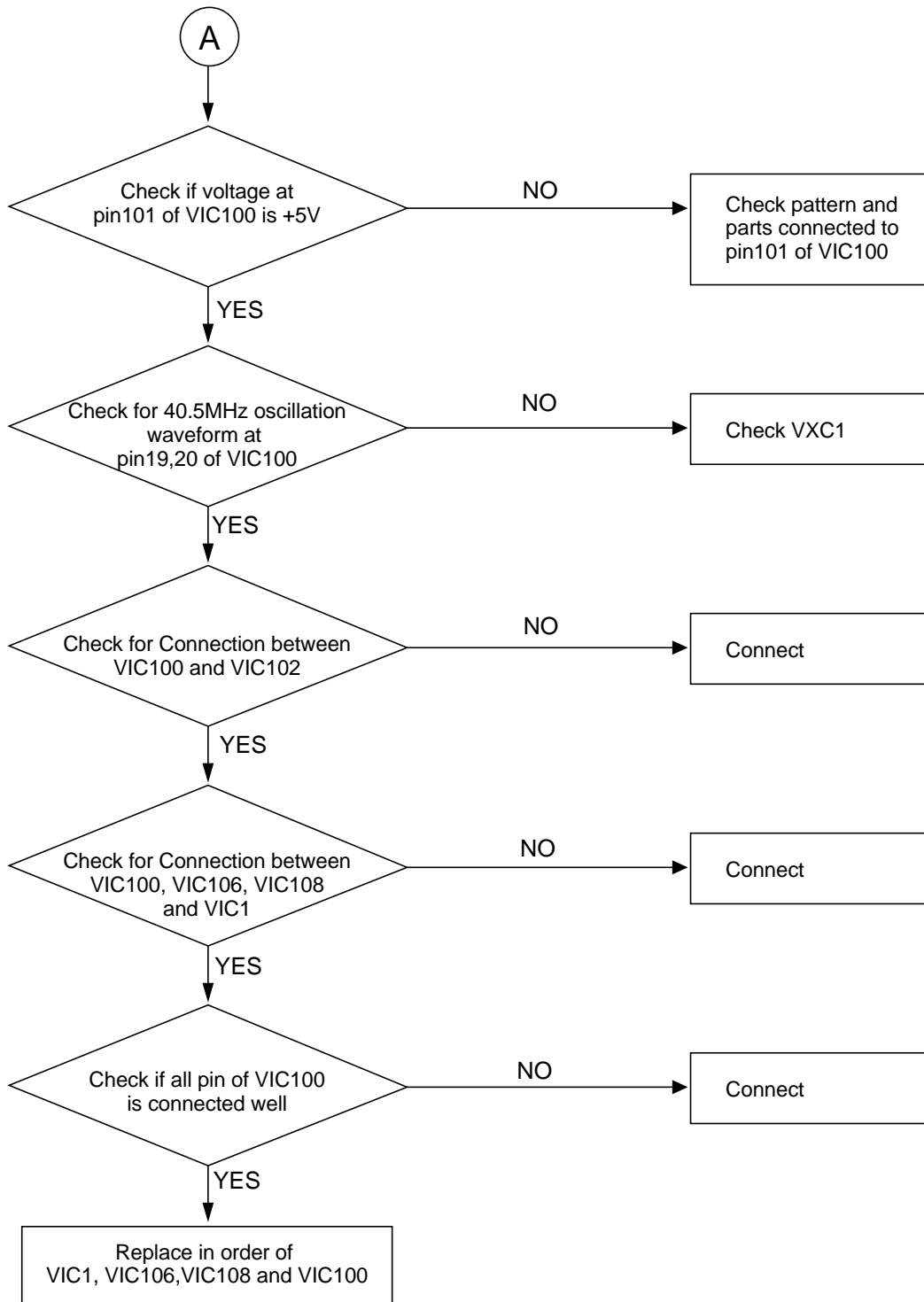
6-4 Voice cancel and change does not work



6-5 Voice change Does Not Work

ⓘ **CAUTION** : You must connect a wire from Tray to unit. If not , unit will be troubled.





7. Electric Parts List

Loc No	New Parts	Description ; Specification	Ald Parts
	AH59-10080D	REMOCON;-,-,LC7461,32,DV7620KV,S.S	
	AH90-10600C	ASSY-PCB,MAIN;DV5620KV,CHN	
MD1,2,3,4,5,6,7,VD1,2,3 XD1,2,5,GL1,TD1 SD2,LD3,MD52,XZD50B KVD1,2,3 VZD2,VZD1 SZD1 XZD1,SD1 VVC1 VVC1 SQ11,14,15,VQ28,6,16,22,3 VQ17,20,21,10,4,25 VQ23,24 XQ1,VQB XQ6,10,11,VQ1,19,29,30,9 VQ2,7,12,13,14,15,27,31 VQ18,XQ2,SQ19 VQA,VQ33 SQ2,3,9,10,12,13,13C,13B SQ1 MQ1A SQ5,6,13A,18,20,14A,31 MQ2,TQ3,4,5,VQ8 TQ2,5A,SQ8 VQ10A,11 MQ1,6,VQ32 SQ7,16,17,MQ3,4,XQ3,4,5 SQ17A,MQ8 VQ5 TQ1,39 MD8,9 XIC3,4 MIC2,3 XIC9 SR31,33 SIC2,3,TIC1,3,VIC4,5 XIC6 SIC6 VIC2 VIC3 XIC8 VIC1 SR6 VR145 JW206 SR10 SR2,5,MR6,JW242A SR20 MR12A,13A VR143,141,142,TR32,VR47A GR11,12,13,14,TR32A,ER20 VR139A,JW400,389F SR15,19,VR142A SR17 TR25 SR9 SR8Y TR28	0401-000101 0403-000342 0403-000344 0403-000354 0405-000122 0405-000140 0501-000314 0501-000314 0501-000341 0502-000001 0504-000127 0504-000128 0504-000129 0504-000153 0504-000156 0504-000158 0505-000191 0601-000146 0801-000138 0801-000278 1002-000169 11119-101-394 1201-000163 1204-000109 1204-000218 1204-000241 1204-000242 1204-001098 1205-000528 2001-000020 2001-000118 2001-000241 2001-000258 2001-000290 2001-000319 2001-000362 2001-000429 2001-000449 2001-000515 2001-000527 2001-000591 2001-000613 2001-000702	DIODE-SWITCHING;1N4148,100V,200MA,5 DIODE-ZENER;UZ3.6BSA,3.6V,3.47-3.68 DIODE-ZENER;UZ3.9B,3.9V,3.7-4.1V,50 DIODE-ZENER;UZ5.1B,5.1V,4.8-5.4V,50 DIODE-VARACTOR;1SV70A,30V,10NA,DO-3 DIODE-VARACTOR;SVC321SP,-15V,-100NA TR-SMALL SIGNAL;-,-,PNP,150MW,SOT-23, TR-SMALL SIGNAL;-,-,PNP,150MW,SOT-23, TR-SMALL SIGNAL;-,-,NPN,200MW,SOT-23, TR-POWER;MJE171,PNP,-80V,-60V,-3A,1 TR-DIGITAL;KSR1102,NPN,200MW,10K-10 TR-DIGITAL;NPN,200MW,22K-22KOHM,SOT TR-DIGITAL;KSR1104,NPN,200MW,47K-47 TR-DIGITAL;KSR2102,PNP,200MW,10K-10 TR-DIGITAL;PNP,200MW,22K-22KOHM,SOT TR-DIGITAL;KSR2104,PNP,200MW,47K-47 FET-SILICON;2SK184Y,N,-,-,-,200MW,T LED;ROUND,GRN,3.1MM,563NM IC-CMOS LOGIC;14053B,MUTIPLEXER,DIP IC-CMOS LOGIC;4094B,SHIFT REGISTER, IC-D/A CONVERTER;PCM1710U,16BIT,SOP R-CHIP;SCR2012S 390K-J IC-OP AMP;4560,SOP,8P,150MIL,DUAL,1 IC-ASP;KA9401,QFP,80P,-,PLASTIC,6V, IC-SSP;KA9421,QFP,100P,-,PLASTIC,6V IC-VSP;KA9413,QFP,100P,-,PLASTIC,6V IC-VSP;KA9414D,SOP,30P,-,PLASTIC,6V IC-AUDIO PROCESSOR;KS9284,QFP,80P,- IC-GENERATOR;KS0118,QFP,80P,-,PLAST R-CARBON(S);22OHM,5%,1/2W,AA,TP,2.4 R-CARBON(S);180OHM,5%,1/2W,AA,TP,2. R-CARBON;1.5KOHM,5%,1/8W,AA,TP,1.8X R-CARBON;1.8KOHM,5%,1/8W,AA,TP,1.8X R-CARBON;10KOHM,5%,1/8W,AA,TP,1.8X3 R-CARBON;120KOHM,5%,1/8W,AA,TP,1.8X R-CARBON;150OHM,5%,1/8W,AA,TP,1.8X3 R-CARBON;1KOHM,5%,1/8W,AA,TP,1.8X3. R-CARBON;2.2KOHM,5%,1/8W,AA,TP,1.8X R-CARBON;220OHM,5%,1/8W,AA,TP,1.8X3 R-CARBON;22OHM,5%,1/8W,AA,TP,1.8X3. R-CARBON;3.3KOHM,5%,1/8W,AA,TP,1.8X R-CARBON;3.9KOHM,5%,1/8W,AA,TP,1.8X R-CARBON;39KOHM,5%,1/8W,AA,TP,1.8X3	 12169-404-770 12169-403-490 12169-403-310 12169-501-220 12169-501-230 11139-801-022 11139-801-022 11139-801-032 12149-305-100 11139-801-040 11139-801-182 11139-901-012 11139-801-101 11139-801-060 12139-601-120 A4150-0123 B4004-0080 B4012-0381 12119-401-300 A4012-0211 A4012-0210 A4012-0379 A4012-0380 11018-377-220 11018-377-181 11018-877-152 11018-877-182 11018-877-103 11018-877-124 11018-877-151 11018-877-102 11018-877-222 11018-877-221 11018-877-220 11018-877-332 11018-877-392 11018-877-393

Loc No	New Parts	Description ; Specification	Ald Parts
VR140	2001-000734	R-CARBON;4.7KOHM,5%,1/8W,AA,TP,1.8X	11018-877-472
XR150A	2001-000780	R-CARBON;470OHM,5%,1/8W,AA,TP,1.8X3	11018-877-471
SR8,XR4	2001-000786	R-CARBON;47KOHM,5%,1/8W,AA,TP,1.8X3	11018-877-473
MR13,14	2001-000812	R-CARBON;5.6KOHM,5%,1/8W,AA,TP,1.8X	11018-877-562
SR21,22	2001-000890	R-CARBON;6.8KOHM,5%,1/8W,AA,TP,1.8X	11018-877-682
VR147,146	2001-000969	R-CARBON;75OHM,5%,1/8W,AA,TP,1.8X3.	11018-877-750
XR47,50	2001-000995	R-CARBON;820OHM,5%,1/8W,AA,TP,1.8X3	11018-877-821
SR13	2001-001000	R-CARBON;82KOHM,5%,1/8W,AA,TP,1.8X3	11018-877-823
SR1	2001-001035	R-CARBON;91OHM,5%,1/8W,AA,TP,1.8X3.	11018-877-910
SR11,12	2001-001096	R-CARBON(S);2.2OHM,5%,1/2W,AA,TP,2.	11018-377-229
JW135	2003-000468	R-METAL OXIDE(S);10OHM,5%,1W,AA,TP,	11048-477-100
SR48,106,108,TR40,22	2007-000001	R-CHIP;68KOHM,5%,1/10W,DA,TP,2012	11119-101-683
SR18,TR42			
SR126,TR30	2007-000068	R-CHIP;470KOHM,5%,1/10W,DA,TP,2012	11119-101-474
SR109,XR108,VR68,109,13	2007-000221	R-CHIP;1.2KOHM,5%,1/10W,DA,TP,2012	11119-101-122
VR110			
VR49	2007-000225	R-CHIP;1.2MOHM,5%,1/10W,DA,TP,2012	A1020-0302
SR90,XR84,30,26	2007-000241	R-CHIP;1.5KOHM,5%,1/10W,DA,TP,2012	11119-101-152
VR59,20,77,XR100,SR57Z			
SR86,88,VR18,82	2007-000267	R-CHIP;1.8KOHM,5%,1/10W,DA,TP,2012	11119-101-182
SR124,142,146,TR3,33	2007-000282	R-CHIP;100KOHM,5%,1/10W,DA,TP,2012	11119-101-104
XR83,98,115,116			
VR37,36A,XR21,11			
SR45,83,161,XR16,12,20,15	2007-000290	R-CHIP;100OHM,5%,1/10W,DA,TP,2012	11119-101-101
VR5,3,114,111,74A			
SR8F,95,102,123,136,158	2007-000300	R-CHIP;10KOHM,5%,1/10W,DA,TP,2012	11119-101-103
SR32,36,MR4,5,VRC			
TR23,27,35,XR34A,VR57			
XR28,51A,VR58,85,TR31B			
SR41,50,51,52,53			
SR54,64,MR15,5D			
SR67,72,73,103	2007-000308	R-CHIP;100OHM,5%,1/10W,DA,TP,2012	11119-101-100
SR121	2007-000338	R-CHIP;120KOHM,5%,1/10W,DA,TP,2012	11119-101-124
SR118,133B,VR86,124	2007-000355	R-CHIP;12KOHM,5%,1/10W,DA,TP,2012	11119-101-123
SR117,119,120,144,43	2007-000395	R-CHIP;150KOHM,5%,1/10W,DA,TP,2012	11119-101-154
XR88,89			
VR51	2007-000401	R-CHIP;150OHM,5%,1/10W,DA,TP,2012	11119-101-151
SR85,114,131,168,169,55,VR60	2007-000409	R-CHIP;15KOHM,5%,1/10W,DA,TP,2012	11119-101-153
TR4,6,16,31,XR82,94,VR7,73			
VR88	2007-000449	R-CHIP;180OHM,5%,1/10W,DA,TP,2012	11119-101-181
SR68,74,76,154,TR26	2007-000457	R-CHIP;18KOHM,5%,1/10W,DA,TP,2012	11119-101-183
SR8D,66,122,127,125,166	2007-000468	R-CHIP;1KOHM,5%,1/10W,DA,TP,2012	11119-101-102
VR74,70,29,84,66,64,115,56			
VR116,126,117,102A			
VR11,83,81,93,120			
VR17,25,127,XR106,13,104,105			
XR113,114,TR40A,MR5A,5B			
SR63,66A,VR99B,103			
SR46,149,VR4			
SR105,MR2	2007-000477	R-CHIP;1MOHM,5%,1/10W,DA,TP,2012	11119-101-105
SR60,89,111,132,MR9,10,11	2007-000493	R-CHIP;2.2KOHM,5%,1/10W,DA,TP,2012	11119-101-222
VR112,65,63,10,46,36			
XR61,80,99,112,134A			
VR14,49B,SR92,90B	2007-000493	R-CHIP;2.2KOHM,5%,1/10W,DA,TP,2012	11119-101-222
VR105			
VR32	2007-000511	R-CHIP;2.4KOHM,5%,1/10W,DA,TP,2012	A1020-0066
SR82,140,VR30,91,89	2007-000518	R-CHIP;2.7KOHM,5%,1/10W,DA,TP,2012	11119-101-272
XR33,34,SR44			
SR129,134,156,XR123	2007-000565	R-CHIP;220KOHM,5%,1/10W,DA,TP,2012	11119-101-224
SR133			

Loc No	New Parts	Description ; Specification	Ald Parts
SR57,MR4A,VR4,92,87,101	2007-000572	R-CHIP;220OHM,5%,1/10W,DA,TP,2012	11119-101-221
SR62,69,70,98,101,155,110	2007-000586	R-CHIP;22KOHM,5%,1/10W,DA,TP,2012	11119-101-223
SR163,TR2,VR75,8,76			
XR57,95,134			
TR15	2007-000635	R-CHIP;270KOHM,5%,1/10W,DA,TP,2012	11119-101-274
SR3C,VR27	2007-000642	R-CHIP;270OHM,5%,1/10W,DA,TP,2012	11119-101-270
SR112,115,116,145,170	2007-000653	R-CHIP;27KOHM,5%,1/10W,DA,TP,2012	11119-101-273
TR7,8,XR31,36A,SR143			
XR97,93,TR10,MR5C,TR41			
SR80	2007-000671	R-CHIP;2KOHM,5%,1/10W,DA,TP,2012	A1020-0054
XR49,121,122,36,39,VR31	2007-000686	R-CHIP;3.3KOHM,5%,1/10W,DA,TP,2012	11119-101-332
SR138,107,8A,58,56,160			
VR98,45,21,SR47			
SR91,164	2007-000703	R-CHIP;3.6KOHM,5%,1/10W,DA,TP,2012	11119-101-362
SR81,VR41,44,42,43	2007-000766	R-CHIP;330OHM,5%,1/10W,DA,TP,2012	11119-101-331
VR39,38,79,40			
SR159,VR37			
SR78,96,148,90A,TR13	2007-000774	R-CHIP;33KOHM,5%,1/10W,DA,TP,2012	11119-101-333
XR90,VR22B			
SR87	2007-000798	R-CHIP;360OHM,5%,1/10W,DA,TP,2012	A1020-0085
SR135	2007-000804	R-CHIP;36KOHM,5%,1/10W,DA,TP,2012	11119-101-363
ER4	2007-000822	R-CHIP;390OHM,5%,1/10W,DA,TP,2012	11119-101-391
SR71,84,139	2007-000830	R-CHIP;39KOHM,5%,1/10W,DA,TP,2012	11119-101-393
TR17,29,24,VR19,SR133A	2007-000830	R-CHIP;39KOHM,5%,1/10W,DA,TP,2012	11119-101-393
XR23,51,24,SR100	2007-000872	R-CHIP;4.7KOHM,5%,1/10W,DA,TP,2012	11119-101-472
XR14,VR12,67,72,SR153			
XR102,103,VR69,136,XR75			
MR20,XR10			
SR61,77,8B,XR109,17,19,VR54,55	2007-000931	R-CHIP;470OHM,5%,1/10W,DA,TP,2012	11119-101-471
VR119,94,132,90,34,121			
SR62A			
SR113,130,137,MR7,8	2007-000941	R-CHIP;47KOHM,5%,1/10W,DA,TP,2012	11119-101-473
TR1,34,18,XR79,86,101,56			
SR94,XR111,MR12B	2007-000947	R-CHIP;47OHM,5%,1/10W,DA,TP,2012	11119-101-470
SR141,VR68B,68A,134,109A	2007-000981	R-CHIP;5.6KOHM,5%,1/10W,DA,TP,2012	11119-101-562
MR5E			
VR71,SR8E,VR1,33	2007-001028	R-CHIP;560OHM,1%,1/10W,DA,TP,2012	
SR147,,157,TR21	2007-001039	R-CHIP;56KOHM,5%,1/10W,DA,TP,2012	11119-101-563
SR99,VR62			
SR65,152,79,TR9,VR6,TR20	2007-001071	R-CHIP;6.8KOHM,5%,1/10W,DA,TP,2012	11119-101-682
XR81,85,92,96,107,60,69			
VR78	2007-001092	R-CHIP;620OHM,5%,1/10W,DA,TP,2012	
SR59,XR91,VR2	2007-001118	R-CHIP;680OHM,5%,1/10W,DA,TP,2012	11119-101-681
VR118,122	2007-001133	R-CHIP;68OHM,5%,1/10W,DA,TP,2012	11119-101-680
SR93,VR16	2007-001155	R-CHIP;750OHM,5%,1/10W,DA,TP,2012	A1020-0122
VR123	2007-001166	R-CHIP;75OHM,5%,1/10W,DA,TP,2012	A1020-0121
SR30,34	2007-001195	R-CHIP;820KOHM,5%,1/10W,DA,TP,2012	11119-101-824
VR35,50	2007-001201	R-CHIP;820OHM,5%,1/10W,DA,TP,2012	11119-101-821
SR75,151,XR87	2007-001208	R-CHIP;82KOHM,5%,1/10W,DA,TP,2012	11119-101-823
XR110	2007-001216	R-CHIP;82OHM,5%,1/10W,DA,TP,2012	11119-201-820
XR63,71	2007-001239	R-CHIP;910OHM,5%,1/10W,DA,TP,2012	A1020-0132
SVR4,5,6	2103-000171	VR-SEMI;10KOHM,30%,1/10W,TP	11249-102-034
SVR3	103-000213	VR-SEMI;1KOHM,30%,1/10W,TP	
SVR1	2103-000290	VR-SEMI;20KOHM,30%,1/10W,TP	11249-102-044
SVR7	2103-000435	VR-SEMI;500OHM,30%,1/10W,TP	11249-102-014
VVR1,VVR2	2103-000461	VR-SEMI;50KOHM,30%,1/10W,TP	11249-102-064
SVR2	2103-000492	VR-SEMI;5KOHM,30%,1/10W,TP	11249-102-024
SC17	2202-000216	C-CERAMIC,MLC-AXIAL;27PF,5%,50V,SL,	11449-148-270
MC4,REC1,MC4A	2202-000780	C-CERAMIC,MLC-AXIAL;100NF,+80-20%,5	11449-010-104
SC18	2202-000781	C-CERAMIC,MLC-AXIAL;100PF,10%,50V,Y	11449-518-101

Electric Parts List

Loc No	New Parts	Description ; Specification	Ald Parts
SC4,6,XC23,24,VC47Y	2202-000797	C-CERAMIC,MLC-AXIAL;10NF,30%,16V,Y5	
VC68Z	2202-000854	C-CERAMIC,MLC-AXIAL;47NF,0.3,50V,Y5	
SC22,43,50,51,57,61	2203-000199	C-CERAMIC,CHIP;100NF,+80-20%,50V,Z5	
XC50,51,VC59,84,33,34,42			
VC57,61,DC15,100,101,104A			
MC7A,VC34A,SC88,8			
DC100,JC95,98,99			
MC10A,REC1,VC62A,31A,UC01A			
XC67,SC15,VC51A	2203-000239	C-CERAMIC,CHIP;100PF,5%,50V,NPO,201	11129-009-101
SC58,62,71,72,73,78,79,80	2203-000260	C-CERAMIC,CHIP;10NF,10%,50V,X7R,201	11129-004-103
SC81,84,XC31,68,69,78,81			
MC6,7,10,11,TC23,32,33,25			
VC55,56,30,35,18,19,20,XC78A			
VC24,11,53,43,49,47,46,51,31			
VC58,TC35,SC9,XC30			
SC53,59A,59B	2203-000295	C-CERAMIC,CHIP;10PF,5%,50V,NPO,2012	11129-009-100
SC63,VC22,10	2203-000316	C-CERAMIC,CHIP;120PF,5%,50V,NPO,201	11129-008-121
SC87,75,TC26,29	2203-000323	C-CERAMIC,CHIP;12NF,10%,50V,X7R,201	11129-004-123
VC45,38	2203-000335	C-CERAMIC,CHIP;12PF,5%,50V,NPO,2012	11129-001-120
XC65	2203-000342	C-CERAMIC,CHIP;130PF,5%,50V,NPO,321	11128-001-131
SC69,VC2	2203-000361	C-CERAMIC,CHIP;150PF,5%,50V,NPO,201	
SC76	2203-000374	C-CERAMIC,CHIP;15NF,10%,50V,X7R,201	11129-004-153
MC8,9,VC14A,XC79,VC52F	2203-000391	C-CERAMIC,CHIP;15PF,5%,50V,NPO,3216	11129-008-150
VC25,26,XC80			
VC54,47Z	2203-000408	C-CERAMIC,CHIP;180PF,5%,50V,NPO,201	11129-008-181
XC56,VC36,48	2203-000429	C-CERAMIC,CHIP;18PF,5%,50V,NPO,2012	11129-008-180
SC91,82,85A,VC60,VC44	2203-000495	C-CERAMIC,CHIP;2.2NF,10%,50V,X7R,20	11129-004-222
XC52	2203-000533	C-CERAMIC,CHIP;2.7NF,10%,50V,X7R,20	11129-004-272
XC55	2203-000555	C-CERAMIC,CHIP;20PF,5%,50V,NPO,2012	11129-009-200
XC57,60,72,75,VC27	2203-000595	C-CERAMIC,CHIP;220PF,5%,50V,NPO,201	11129-001-221
VC80A,SC39,VC34A	2203-000609	C-CERAMIC,CHIP;22NF,10%,50V,X7R,201	11129-004-223
VC4	2203-000661	C-CERAMIC,CHIP;270PF,5%,50V,NPO,201	11129-015-271
SC91A	2203-000716	C-CERAMIC,CHIP;3.3NF,10%,50V,X7R,20	11129-004-332
SC68	2203-000727	C-CERAMIC,CHIP;3.9NF,10%,50V,X7R,20	11129-004-392
VC7A	2203-000749	C-CERAMIC,CHIP;30PF,5%,50V,NPO,2012	11129-009-300
SC60	2203-000787	C-CERAMIC,CHIP;330PF,5%,50V,NPO,201	
SC77,83	2203-000802	C-CERAMIC,CHIP;33NF,10%,50V,X7R,201	11129-001-333
VC15,7,SC6Z	2203-000818	C-CERAMIC,CHIP;33PF,5%,50V,NPO,2012	11129-008-330
VC5	2203-000840	C-CERAMIC,CHIP;390PF,5%,50V,NPO,201	
XC66,SC6A	2203-000858	C-CERAMIC,CHIP;39PF,5%,50V,NPO,2012	11129-021-390
SC65,86,XC53,63	2203-000892	C-CERAMIC,CHIP;4.7NF,10%,50V,X7R,20	
TC20,21,30	2203-000953	C-CERAMIC,CHIP;470PF,5%,50V,NPO,201	11129-004-471
SC90,XC58,70,71,77,38,VC32	2203-000979	C-CERAMIC,CHIP;47NF,10%,50V,X7R,201	
SC70	2203-001036	C-CERAMIC,CHIP;5.6NF,10%,50V,X7R,20	
SC66,VC62,SC85	2203-001058	C-CERAMIC,CHIP;560PF,5%,50V,NPO,201	11129-019-561
SC55	2203-001105	C-CERAMIC,CHIP;6.8NF,10%,50V,X7R,20	11129-004-682
TC24	2203-001132	C-CERAMIC,CHIP;680PF,5%,50V,NPO,201	11129-009-681
TC31,VC40	2203-001137	C-CERAMIC,CHIP;68NF,+80-20%,50V,Y5V	11129-004-683
SC74,XC32,76,35,44	2203-001214	C-CERAMIC,CHIP;8.2NF,10%,50V,X7R,20	11129-004-822
XC37,45	2203-001230	C-CERAMIC,CHIP;820PF,5%,50V,NPO,201	A1100-0760
VC3	2203-001246	C-CERAMIC,CHIP;82PF,5%,50V,NPO,2012	
SC54,VC17,12,1	2203-001524	C-CERAMIC,CHIP;47PF,5%,50V,NPO,2012	
SC67,XC62,73,VC63,8,9	2203-001525	C-CERAMIC,CHIP;56PF,5%,50V,NPO,2012	
VC14			
VC14			
SC52,XC49,54,59,64,VC50,41,21	2203-001537	C-CERAMIC,CHIP;1NF,10%,50V,X7R,2012	
TC23A			
TC23A			
XC61,VC28,29,XC74	2203-001551	C-CERAMIC,CHIP;1.5NF,10%,50V,X7R,20	
VC6,52A,52B,52	2203-001611	C-CERAMIC,CHIP;22PF,5%,50V,NPO,2012	
VC13,16	2203-001646	C-CERAMIC,CHIP;3PF,0.5PF,50V,NPO,20	

Loc No	New Parts	Description ; Specification	Ald Parts
SC14,16,59,XC37A,VC52C	2203-001684	C-CERAMIC,CHIP;68PF,5%,50V,X7R,2012	
SC29,41,TC4,12	2301-000218	C-FILM,PEF;220NF,5%,50V,-,-,TP	11517-213-224
TC5,10	2301-000389	C-FILM,PEF;150NF,5%,50V,12.5X15X7.5	11505-713-154
TC3	2301-000404	C-FILM,PEF;2.2NF,10%,50V,5.5X7X3.2M	
TC8	2301-000458	C-FILM,PEF;56NF,5%,50V,8X12X4.5MM,5	
SC25,38	2303-000312	C-FILM,PPF;100NF,5%,63V,7.5X12.5X3.	A1102-0164
MC3	2401-000118	C-AL;1000UF,20%,10V,GP,10X12.5,5MM,	
SC23,24,XC76B	2401-000240	C-AL;100UF,20%,10V,GP,6*11MM,5MM,TP	11608-102-104
XC13,16,SC26,VC83,87,88,93,85	2401-000419	C-AL;10UF,20%,16V,GP,5X11,2.5MM,	
VC70,71,70A,66	2401-000778	C-AL;220UF,20%,10V,GP,6.3X11,2.5MM,	11608-102-224
XC19,20,22	2401-000795	C-AL;220UF,20%,16V,GP,8X11.5,3.5MM,	
SC28	2401-000905	C-AL;22UF,20%,16V,BP,6X11,2.5MM,	
XC2,3,4,11,14,15,17,18	2401-000907	C-AL;22UF,20%,16V,GP,5*11,2MM,	11608-103-223
SC2,VC74,DC102,104			
XC1,2A,VC96,97,XC25	2401-001355	C-AL;470UF,20%,10V,GP,8X11.5,5MM,	
SC7,SC10	2401-001538	C-AL;47UF,20%,25V,GP,6X11,2.5MM,-	
VC89	2401-001891	C-AL;100UF,20%,10V,BP,6X11MM,5MM,TP	11608-202-101
DC10,11	2401-001893	C-AL;100UF,20%,16V,-,6.3X7MM,2.5MM,	
VC65A,98			
VC81,82,78,90,91,75,76,77	2401-001895	C-AL;100UF,20%,16V,GP,6.3X11MM,2.5M	
VC80,73,65,95,99,SC33			
TC2,7,15,SC12A,VC86,67,68			
VC69,72	2401-001904	C-AL;10UF,20%,16V,-,4X7MM,2.5MM,TP	
SC35,36,42,TC11,SC37	2401-001905	C-AL;10UF,20%,16V,BP,6X11MM,2.5MM,B	
SC5,20,21,40	2401-001911	C-AL;1UF,20%,50V,BP,6X11MM,2MM,BK	
SC3,44,VC79,DC13,103	2401-001912	C-AL;1UF,20%,50V,GP,5X11MM,2MM,BK	
SC30	2401-001920	C-AL;2.2UF,20%,50V,BP,5X11MM,2MM,BK	
SC31	2401-001953	C-AL;4.7UF,20%,50V,BP,6.3X11MM,2.5M	
SC12,13,19,XC38A,76A,TC12A	2401-001954	C-AL;4.7UF,20%,50V,GP,5X11MM,2.5MM,	
SC32,XC12	2401-001965	C-AL;470NF,20%,50V,-,4X7MM,1.5MM,BK	
SC34	2401-001967	C-AL;470NF,20%,50V,BP,6X11MM,2MM,BK	
MC5,TC16	2401-001975	C-AL;47UF,20%,16V,GP,5X11MM,2MM,BK	
MC1A	2401-002180	C-AL;2.2UF,0.2,50V,GP,5X11,5MM,TP	
MC160A	2402-000214	C-AL,SMD;47UF,20%,6.3V,WT,5.3X5.3MM	
VCTC1	2502-000127	C-CERAMIC TRIMMER;20-4.6PF,+50-0%,1	11829-512-030
VL11	2701-000111	INDUCTOR-AXIAL;100UH,10%,2.5X3.4MM	12429-411-101
VL10,14,ML1A,SL1	2701-000114	INDUCTOR-AXIAL;10UH,10%,2.5X3.4MM	12429-411-100
VL13Z	2701-000114	INDUCTOR-AXIAL;10UH,10%,2.5X3.4MM	12429-411-100
VL2,3,4	2701-000120	INDUCTOR-AXIAL;12UH,10%,2.5X3.4MM	12429-211-120
SL2,4	2701-000123	INDUCTOR-AXIAL;150UH,10%,2.5X3.4MM	12429-211-151
SL3	2701-000134	INDUCTOR-AXIAL;180UH,10%,4.2X9.8MM	12429-311-181
VL13,13A,13B	2701-000159	INDUCTOR-AXIAL;22UH,10%,4.2X9.8MM	12429-311-220
ML5B,VL6,GL1A			
VL12,5	2701-000166	INDUCTOR-AXIAL;3.3UH,10%,2.5X3.4MM	12429-211-339
VL1	2701-000181	INDUCTOR-AXIAL;33UH,5%,2.4X3.4MM	
XL2,VL7	2701-000195	INDUCTOR-AXIAL;47UH,5%,2.4X3.4MM	
XL3,ML4,5,VL8	2701-000205	INDUCTOR-AXIAL;56UH,10%,2.5X3.4MM	12429-211-560
VX1	2801-001420	CRYSTAL-UNIT;14.31818MHZ,30PPM,28-A	A1280-0248
XX1	2801-001423	CRYSTAL-UNIT;16.9344MHZ,17PPM,28-AA	A1280-0249
VX2	2801-001427	CRYSTAL-UNIT;24.576MHZ,30PPM,28-AAM	A1280-0252
MX1	2802-000108	RESONATOR-CERAMIC;12MHZ,0.5%,BK,10.	14539-503-130
XFL1	2909-000157	FILTER-LC;2.3/2.81MHZ,+50KHZ,3DB,3	A1240-0115
SW1,2,3,4,5,6,7	3404-000157	SWITCH-TACT;12V,50MA,160GF+-50GF,-,	A3018-0026
SCW1	3708-000266	CONNECTOR-FPC/FC/PIC;32P,1.25MM,STR	B6013-0069
TCW2	3711-000678	CONNECTOR-HEADER;BOX,13P,1R,2.5MM,S	13349-103-130
TCW3	3711-000724	CONNECTOR-HEADER;BOX,15P,1R,2MM,STR	A6010-0169
TCW1	3711-000736	CONNECTOR-HEADER;BOX,18P,1R,2.5MM,B	A6010-0753
TCW4	3711-001018	CONNECTOR-HEADER;BOX,5P,1R,2MM,STRA	13349-119-050
FL-TUBE	AH07-20045D	VF-DISPLAY;SVA-9BS06S,16,26X107.5,D	
TIC2	AH14-10001R	IC-PHASE COMP;TC5081AP,SIP,	
SIC4,5	AH14-10004V	IC-DRIVER;LA6510,SIP,	
MCW1	AH39-20004N	LEAD-CONNECTOR ASS'Y;51004,-,5P,200	13052-901-560

Loc No	New Parts	Description ; Specification	Ald Parts
XCW3	AH39-20008M	LEAD-CONNECTOR ASS'Y;5264,5395,2P,1	13078-472-115
NCW1	AH39-20022C	LEAD-CONNECTOR ASS'Y;51004,35023,2P	16439-0199-00
TCW4	AH39-20024W	LEAD-CONNECTOR ASS'Y;51004,50011,5P	16439-0271-00
XCW4	AH39-20519A	LEAD CONNECTOR-ASSY;-;51004,5295,7P	
XCW1	AH39-20520A	LEAD CONNECTOR-ASSY;-;5264,5395,10P	
EYE	AH59-60001F	MODULE-REMOCON;ORC-638V,38KHZ,-;MES	A1294-0024
TAP1,2	AH61-40022B	TAP-STUD;SPC1,T0.5,BT2,-;	13124-100-711
AH90-40135C ASSY-OPT PCB;DV532KV,-;			
NQ01	0501-000341	TR-SMALL SIGNAL;-;NPN,200MW,SOT-23,	11139-801-032
NIC1	1001-000197	IC-VIDEO SWITCH;NJM2233BM,2-INPUT,S	
NR11	11119-101-394	R-CHIP;SCR2012S 390K-J	
NIC3	1204-000379	IC-PAL/NTSC DECODER;CXA1228S,DIP,28	
NIC2	1204-000381	IC-PAL/NTSC ENCODER;CXA1229P,DIP,24	
PAL	2001-000290	R-CARBON;10KOHM,5%,1/8W,AA,TP,1.8X3	11018-877-103
JC24,26A,28	2007-000029	R-CHIP;0OHM,5%,1/10W,DA,TP,2012	11119-101-000
NR02,04,14	2007-000267	R-CHIP;1.8KOHM,5%,1/10W,DA,TP,2012	11119-101-182
NR05	2007-000282	R-CHIP;100KOHM,5%,1/10W,DA,TP,2012	11119-101-104
NR07	2007-000300	R-CHIP;10KOHM,5%,1/10W,DA,TP,2012	11119-101-103
NR09,16	2007-000409	R-CHIP;15KOHM,5%,1/10W,DA,TP,2012	11119-101-153
NR10	2007-000444	R-CHIP;180KOHM,5%,1/10W,DA,TP,2012	11119-101-184
NR03	2007-000457	R-CHIP;18KOHM,5%,1/10W,DA,TP,2012	11119-101-183
NR15,17,20,21,22,23,24	2007-000468	R-CHIP;1KOHM,5%,1/10W,DA,TP,2012	11119-101-102
NR19	2007-000653	R-CHIP;27KOHM,5%,1/10W,DA,TP,2012	11119-101-273
NR06,08	2007-000710	R-CHIP;3.9KOHM,5%,1/10W,DA,TP,2012	11119-101-392
NR18	2007-000872	R-CHIP;4.7KOHM,5%,1/10W,DA,TP,2012	11119-101-472
NR01	2007-000931	R-CHIP;470OHM,5%,1/10W,DA,TP,2012	11119-101-471
NR13	2007-001071	R-CHIP;6.8KOHM,5%,1/10W,DA,TP,2012	11119-101-682
NR12	2007-001177	R-CHIP;8.2KOHM,5%,1/10W,DA,TP,2012	11119-101-822
NVR3	2103-000171	VR-SEMI;10KOHM,30%,1/10W,TOP	11249-102-034
NVR2	2103-000213	VR-SEMI;1KOHM,30%,1/10W,TOP	
NVR5	2103-000290	VR-SEMI;20KOHM,30%,1/10W,TOP	11249-102-044
NVR4	2103-000435	VR-SEMI;500OHM,30%,1/10W,TOP	11249-102-014
NVR1	2103-000492	VR-SEMI;5KOHM,30%,1/10W,TOP	11249-102-024
NC30A	2202-000797	C-CERAMIC,MLC-AXIAL;10NF,30%,16V,Y5	
NC04,06,12,14A,15A,14	2203-000199	C-CERAMIC,CHIP;100NF,+80-20%,50V,Z5	
NC05,09,11,13	2203-000260	C-CERAMIC,CHIP;10NF,10%,50V,X7R,201	11129-004-103
NC13Z	2203-000316	C-CERAMIC,CHIP;120PF,5%,50V,NPO,201	11129-008-121
NC11A	2203-000408	C-CERAMIC,CHIP;180PF,5%,50V,NPO,201	11129-008-181
NC02	2203-000429	C-CERAMIC,CHIP;18PF,5%,50V,NPO,2012	11129-008-180
NC10	2203-000749	C-CERAMIC,CHIP;30PF,5%,50V,NPO,2012	11129-009-300
NC07,08	2203-000979	C-CERAMIC,CHIP;47NF,10%,50V,X7R,201	
NC01	2203-001525	C-CERAMIC,CHIP;56PF,5%,50V,NPO,2012	
NC03	2203-001611	C-CERAMIC,CHIP;22PF,5%,50V,NPO,2012	
NC32,29	2401-000419	C-AL;10UF,20%,16V,GP,5X11,2.5MM,	
NC20	2401-000907	C-AL;22UF,20%,16V,GP,5*11,2MM,	11608-103-223
NC30	2401-001895	C-AL;100UF,20%,16V,GP,6.3X11MM,2.5MM	
NC25,26,27	2401-001911	C-AL;1UF,20%,50V,BP,6X11MM,2MM,BK	
NC21,22	2401-001912	C-AL;1UF,20%,50V,GP,5X11MM,2MM,BK	
NC24	2401-001967	C-AL;470NF,20%,50V,BP,6X11MM,2MM,BK	
NC23,28	2401-001975	C-AL;47UF,20%,16V,GP,5X11MM,2MM,BK	
NCTC1	2502-000151	C-CERAMIC TRIMMER;50-13.5PF,+50-0%,	A1111-0012
VL14L,14N	2701-000114	INDUCTOR-AXIAL;10UH,10%,2.5X3.4MM	12429-411-100
NX2	2801-001432	CRYSTAL-UNIT;3.579545MHZ,30PPM,28-A	A1280-0250
NX1	2801-001436	CRYSTAL-UNIT;4.433619MHZ,30PPM,28-A	A1280-0251
SW8	3408-000250	SWITCH-SLIDE;30V,300MA,SPDT,-	13519-930-220
JW303,304,VJW44	3811-000389	WIRE-NO SHEATH CU;SPCW,300V,52.4MM,	
NFL4	B1146-0070	DELAY-LINE;SEL-5620 600NS STICK	

Loc No	New Parts	Description ; Specification	Ald Parts
AH90-40192C ASSY-OPT PCB;DV535K,			
EQ1	0504-000153	TR-DIGITAL;KSR2102,PNP,200MW,10K-10	
EIC1	1204-000204	IC-SOUND PROCESSOR;M65844P,DIP,14P,	B4012-0421
JW398	2001-000290	R-CARBON;10KOHM,5%,1/8W,AA,TP,1.8X3	11018-877-103
JE3,3A	2007-000029	R-CHIP;0OHM,5%,1/10W,DA,TP,2012	11119-101-000
ER1,2,3,6,7,8	2007-000409	R-CHIP;15KOHM,5%,1/10W,DA,TP,2012	11119-101-153
ER5E	2007-000457	R-CHIP;18KOHM,5%,1/10W,DA,TP,2012	11119-101-183
ER5D	2007-000653	R-CHIP;27KOHM,5%,1/10W,DA,TP,2012	11119-101-273
ER10,11	2007-000778	R-CHIP;330KOHM,5%,1/10W,DA,TP,2012	11119-101-334
ER4	2007-000822	R-CHIP;390OHM,5%,1/10W,DA,TP,2012	11119-101-391
ER9A,9B	2007-000941	R-CHIP;47KOHM,5%,1/10W,DA,TP,2012	11119-101-473
ER5H	2007-001039	R-CHIP;56KOHM,5%,1/10W,DA,TP,2012	11119-101-563
JE1	2007-001071	R-CHIP;6.8KOHM,5%,1/10W,DA,TP,2012	11119-101-682
EC4,10,13	2203-000199	C-CERAMIC,CHIP;100NF,+80-20%,50V,Z5	
EC12	2203-000239	C-CERAMIC,CHIP;100PF,5%,50V,NPO,201	11129-009-101
EC2,9	2203-000260	C-CERAMIC,CHIP;10NF,10%,50V,X7R,201	11129-004-103
EC3	2203-000495	C-CERAMIC,CHIP;2.2NF,10%,50V,X7R,20	11129-004-222
EC8	2203-000892	C-CERAMIC,CHIP;4.7NF,10%,50V,X7R,20	
EC56,60	2401-001572	C-AL;47UF,20%,50V,GP,6.3*11,2.5MM,	11608-106-470
EC55,57	2401-001911	C-AL;1UF,20%,50V,BP,6X11MM,2MM,BK	
EC58,59	2401-001912	C-AL;1UF,20%,50V,GP,5X11MM,2MM,BK	
JW395C	2701-000195	INDUCTOR-AXIAL;47UH,5%,2.4X3.4MM	
AH90-40300C ASSY-OPT PCB,MAIN;DV5620KV,CHN			
DZD1	0403-000352	DIODE-ZENER;UZ4.7BM,4.7V,4.4-5.0V,5	12169-403-200
DRR1,2,GR12A	2001-000429	R-CARBON;1KOHM,5%,1/8W,AA,TP,1.8X3.	11018-877-102
KVJC1	2007-000029	R-CHIP;0OHM,5%,1/10W,DA,TP,2012	11119-101-000
DEC10	2202-000780	C-CERAMIC,MLC-AXIAL;100NF,+80-20%,5	11449-010-104
DEC2	2202-000797	C-CERAMIC,MLC-AXIAL;10NF,30%,16V,Y5	
DEC5	2203-000199	C-CERAMIC,CHIP;100NF,+80-20%,50V,Z5	
DEC1	2401-001975	C-AL;47UF,20%,16V,GP,5X11MM,2MM,BK	
DLL1	2701-000178	INDUCTOR-AXIAL;33UH,10%,2.8X7MM	12429-511-330
KVW1	3711-000907	CONNECTOR-HEADER;BOX,3P,1R,2MM,STRA	13349-119-030
DCW1	3711-001062	CONNECTOR-HEADER;BOX,6P,1R,2MM,STRA	13349-119-060
DRIC1	AC14-12003K	IC;KA8301(N.M),-,-	
MIC1	AH09-10061H	IC-MCU MASKING;LC86P6232,-,QFP,DV56	
AH90-10601C ASSY-PCB,FRONT;DV5620KV,CHN			
FD1,2,3	0401-000101	DIODE-SWITCHING;1N4148,100V,200MA,5	
FQ4,6	0504-000118	TR-DIGITAL;KSR1003,NPN,300MW,22K-22	12159-301-780
FQ1,2,3	0504-000128	TR-DIGITAL;NPN,200MW,22K-22KOHM,SOT	11139-801-182
FQ5,7	0504-001003	TR-DIGITAL;KSR2003,PNP,300MW,22K-22	
FLD1,2,3,4,5,6,7,8	0601-000146	LED;ROUND,GRN,3.1MM,563NM	A4150-0123
FLD9,10,11,12,13,14	0601-000245	LED;ROUND,RED,3.1MM,650NM	12309-001-450
FLD15,16,17,18,19,20			
FIC1,2,3	1201-000461	IC-OP AMP;4558,SOP,8P,150MIL,DUAL,2	
FR22,23	2001-000008	R-CARBON;15KOHM,5%,1/8W,AA,TP,1.8X3	11018-877-153
FR5	2001-000273	R-CARBON;100KOHM,5%,1/8W,AA,TP,1.8X	11018-877-104
FR31,24,26	2001-000362	R-CARBON;150OHM,5%,1/8W,AA,TP,1.8X3	11018-877-151
FR2	2001-000429	R-CARBON;1KOHM,5%,1/8W,AA,TP,1.8X3.	11018-877-102
FR29,30	2001-000515	R-CARBON;220OHM,5%,1/8W,AA,TP,1.8X3	11018-877-221
FR20,21	2001-000812	R-CARBON;5.6KOHM,5%,1/8W,AA,TP,1.8X	11018-877-562
FR27,28	2001-001006	R-CARBON;82OHM,5%,1/8W,AA,TP,1.8X3.	11018-877-820
FR10,17	2007-000001	R-CHIP;68KOHM,5%,1/10W,DA,TP,2012	11119-101-683
FJ101,102,103	2007-000029	R-CHIP;0OHM,5%,1/10W,DA,TP,2012	11119-101-000
FR1,6	2007-000282	R-CHIP;100KOHM,5%,1/10W,DA,TP,2012	11119-101-104
FR7,13,15	2007-000300	R-CHIP;10KOHM,5%,1/10W,DA,TP,2012	11119-101-103
FR25	2007-000401	R-CHIP;150OHM,5%,1/10W,DA,TP,2012	11119-101-151
FR29A,29B,30A,30B	2007-000572	R-CHIP;220OHM,5%,1/10W,DA,TP,2012	11119-101-221

Loc No	New Parts	Description ; Specification	Ald Parts
FR3	2007-000778	R-CHIP;330KOHM,5%,1/10W,DA,TP,2012	11119-101-334
FR18,19	2007-000781	R-CHIP;330OHM,5%,1/10W,DA,TP,2012	A1020-0083
FR8,9,11,16	2007-000872	R-CHIP;4.7KOHM,5%,1/10W,DA,TP,2012	11119-101-472
FR12,14	2007-000931	R-CHIP;470OHM,5%,1/10W,DA,TP,2012	11119-101-471
FR4	2007-001208	R-CHIP;82KOHM,5%,1/10W,DA,TP,2012	11119-101-823
FVR1,2,3	2101-001011	VR-ROTARY;20KOHM,20%,1/20W,SIDE	
FC7,8	2201-000381	C-CERAMIC,DISC;22NF,20%,50V,Y5V,8.0	11417-344-223
FC5	2202-000718	C-CERAMIC,MLC-AXIAL;3.9NF,20%,16V,Y	11447-619-392
FC2	2202-000807	C-CERAMIC,MLC-AXIAL;22NF,+80-20%,25	11448-010-223
FC1,16,17	2203-000199	C-CERAMIC,CHIP;100NF,+80-20%,50V,Z5	
FC12,14	2203-000260	C-CERAMIC,CHIP;10NF,10%,50V,X7R,201	11129-004-103
FC10,15	2203-000429	C-CERAMIC,CHIP;18PF,5%,50V,NPO,2012	11129-008-180
FC9	2203-000495	C-CERAMIC,CHIP;2.2NF,10%,50V,X7R,20	11129-004-222
FC6	2203-001036	C-CERAMIC,CHIP;5.6NF,10%,50V,X7R,20	
FC11,13	2203-001230	C-CERAMIC,CHIP;820PF,5%,50V,NPO,201	A1100-0760
FC4	2203-001684	C-CERAMIC,CHIP;68PF,5%,50V,X7R,2012	
FC3	2301-000476	C-FILM,PEF;82NF,10%,50V,10.5X12.5X6	11505-714-823
FEC3	2401-000419	C-AL;10UF,20%,16V,GP,5X11,2.5MM,	
FEC7,8	2401-000907	C-AL;22UF,20%,16V,GP,5*11,2MM,	11608-103-223
FEC1,2,9,10	2401-001895	C-AL;100UF,20%,16V,GP,6.3X11MM,2.5MM	
FEC4,5,6	2401-001912	C-AL;1UF,20%,50V,GP,5X11MM,2MM,BK	
FSW1,2,3,4	3404-000160	SWITCH-TACT;12V,50MA,160GF+-50GF,6.	13559-901-110
FJK1	3722-000345	JACK-PHONE;3P,6.4MM,AG,BLK,-	B3040-0048
FJK2,3	3722-000363	JACK-PHONE;9P,6.4MM,AU,BLK,-	A3040-0115
FCW1	AH39-20018R	LEAD-CONNECTOR ASS'Y;51004,35023,15	16439-0103-00
FCW3	AH39-20522A	LEAD CONNECTOR-ASSY;-51004,5295,6P	
FCW2	AH39-20523A	LEAD CONNECTOR-ASSY;-51004,5295,3P	
WIRE	AH39-50001E	LEAD-FASTEN;;1007#24,220MM,RED	13059-101-251
CLIP	AH65-30013A	CLAMP-CORD;;-DALA-2,-	16634-517-300

AH90-40301C ASSY-OPT PCB,FRONT;DV5620KV,CHN

FD20,21,22	0401-000101	DIODE-SWITCHING;1N4148,100V,200MA,5	
FD23	0601-000245	LED;ROUND,RED,3.1MM,650NM	12309-001-450
FSW10,11,12,13,14,15,16,17	3404-000165	SWITCH-TACT;12V,50MA,160GF+-50GF,6X	13559-901-100
TCW2	3708-000303	CONNECTOR-FPC/FC/PIC;6P,1.25MM,STRA	B6010-0352
FCW5	3710-000123	CONNECTOR-SOCKET;10P,1R,2MM,STRAIGH	13349-168-101
TCW1	AH39-20537A	LEAD CONNECTOR-ASSY;-51004,35023,6	

AH90-10603B ASSY-SMPS;DV7620KV,CHN

PD4,13,14,15,16	0401-000101	DIODE-SWITCHING;1N4148,100V,200MA,5	
PD1	0402-000104	DIODE-BRIDGE;D3SBA60,600V,4A,-	B4104-0121
PD2	0402-000378	DIODE-RECTIFIER;EG01C,1000V,500MA,D	B4102-0006
PD3,5,6	0402-000382	DIODE-RECTIFIER;ERA18-04V1,400V,800	B4102-0047
PD10	0402-000385	DIODE-RECTIFIER;S2L20U-4000,200V,1.	B4102-0088
PZD4	0403-000341	DIODE-ZENER;UZ3.3B,3.3V,3.1-3.5V,50	12169-403-660
PZD5	0403-000345	DIODE-ZENER;UZ3.9BSB,3.9V,3.92-4.14	12169-403-860
PZD3	0403-000354	DIODE-ZENER;UZ5.1B,5.1V,4.8-5.4V,50	12169-403-310
PZD1,2	0403-000384	DIODE-ZENER;UZP20B,20V,18.9-21.1V,1	12169-403-930
PD7,8	0404-000127	DIODE-SCHOTTKY;D5S9M-4000,90V,5A,TO	B4112-0032
PQ1,9,10	0501-000167	TR-SMALL SIGNAL;2SA933,PNP,300MW,TO	12149-102-350
PQ3,4	0501-000369	TR-SMALL SIGNAL;-NPN,1W,TO-92L,-,1	12149-301-910
PQ2,11,12	0501-000637	TR-SMALL SIGNAL;2SC1740S,NPN,50V,40	12139-307-170
PQ14,16,5,6	0502-000424	TR-POWER;2SB1566-F,PNP,-60V,-50V,-3	B4052-0086
PQ13,15	0502-000425	TR-POWER;2SD2395-F,NPN,60V,50V,3A,2	B4052-0087
PQ8, PQ7	0504-000117	TR-DIGITAL;KSR1002,NPN,300MW,10K-10	12159-301-840
PQ18	0504-000144	TR-DIGITAL;KSR2002,PNP,300MW,10K-10	12159-301-340
PQ17	0504-001003	TR-DIGITAL;KSR2003,PNP,300MW,22K-22	
PIC2	0604-000119	PHOTO-COUPLER;TR,200-400%,200MW,DIL	B4161-0027
PIC6,7	1201-000191	IC-OP AMP;4558,DIP,8P,300MIL,DUAL,2	12119-401-170
PIC5	1203-000122	IC-NEGA.FIXED REG.;7908,TO-220,3P,-	12119-601-840

Loc No	New Parts	Description ; Specification	Ald Parts
PIC4	1203-000294	IC-POSI.FIXED REG.;7808,TO-220,3P,-	12109-401-730
PD12,17,18,19,20,21,22	12169-201-090	DIODE-RECTIFIER;1N 4002,TAPE	
PZNR1	1405-000147	VARISTOR;470V,4500A,17X12MM,BK	
PR39	2001-000003	R-CARBON;330OHM,5%,1/8W,AA,TP,1.8X3	11018-877-331
PR12,13	2001-000019	R-CARBON(S);100HM,5%,1/2W,AA,TP,2.4	11018-377-100
PR18	2001-000065	R-CARBON;10KOHM,5%,1/4W,AA,TP,2.4X6	11018-277-103
PR71	2001-000111	R-CARBON;150OHM,5%,1/4W,AA,TP,2.4X6	11018-277-151
PR29,30,46,48	2001-000282	R-CARBON;10KOHM,1%,1/8W,AD,TP,1.8X3	
PR33,34	2001-000290	R-CARBON;10KOHM,5%,1/8W,AA,TP,1.8X3	11018-877-103
PR14	2001-000362	R-CARBON;150OHM,5%,1/8W,AA,TP,1.8X3	11018-877-151
PR9,79	2001-000405	R-CARBON;180OHM,5%,1/8W,AA,TP,1.8X3	
PR44,47,49,21, PR78	2001-000429	R-CARBON;1KOHM,5%,1/8W,AA,TP,1.8X3.	11018-877-102
PR76	2001-000435	R-CARBON;1MOHM,5%,1/8W,AA,TP,1.8X3.	11018-877-105
PR40	2001-000563	R-CARBON;27KOHM,5%,1/8W,AA,TP,1.8X3	11018-877-273
PR66	2001-000660	R-CARBON;33OHM,5%,1/8W,AA,TP,1.8X3.	11018-877-333
PR64,65	2001-000812	R-CARBON;5.6KOHM,5%,1/8W,AA,TP,1.8X	11018-877-562
PR23	2001-000869	R-CARBON;56OHM,5%,1/8W,AA,TP,1.8X3.	11018-877-560
PR73	2001-001055	R-CARBON(S);1.8KOHM,5%,1/2W,AA,TP,2	11018-377-182
PR74	2001-001093	R-CARBON(S);2.2KOHM,5%,1/2W,AA,TP,2	11018-377-222
PR52,53,58,59,60,61,62,63	2001-001192	R-CARBON(S);820OHM,5%,1/2W,AA,TP,2.	11018-377-821
PR35,38	2001-001195	R-CARBON(S);82OHM,5%,1/2W,AA,TP,2.4	11018-377-820
PR6,7	2003-000273	R-METAL OXIDE;33KOHM,5%,2W,AA,TP,6X	
PR50,51	2003-000542	R-METAL OXIDE(S);1OHM,5%,1W,AA,TP,3	11048-477-109
PR25,26	2004-000151	R-METAL;1.5KOHM,1%,1/8W,AA,TP,1.8X3	A1000-0517
PR43,45	2004-000285	R-METAL;12KOHM,1%,1/8W,AA,TP,1.8X3.	A1006-0829
PR16	2004-001126	R-METAL;6.2KOHM,1%,1/8W,AA,TP,1.8X3	A1000-0566
PR31,32,36,37,41,42	2004-001880	R-METAL;4.7KOHM,1%,1/8W,AA,TP,1.8X3	A1006-0570
PR8	2005-000104	R-WIRE WOUND;0.1OHM,5%,2W,AA,TP,6.5	A1012-0038
PR4,75	2006-000268	R-CEMENT;2.7OHM,5%,2W,CA,BK,6.4X27X	A1014-0011
PC13	2201-000557	C-CERAMIC,DISC;470PF,10%,50V,SL,10.	11407-018-471
PC3,5,6,9A,10A	2201-000808	C-CERAMIC,DISC;2.2NF,10%,400V,Y5P,1	
PC7	2301-000140	C-FILM,PEF;10NF,10%,630V,16.5X9.5X5	
PC1,2	2301-000371	C-FILM,PEF;100NF,1%,250V,-,-,TP	A1102-0367
PC15,19,21,17	2301-000383	C-FILM,PEF;10NF,5%,50V,6X7X3.2MM,5M	
PC12	2301-000411	C-FILM,PEF;220NF,5%,50V,-,-,BK	11509-121-300
PC16	2301-000419	C-FILM,PEF;27NF,10%,50V,7.5X10.5X4M	
PC23,24,25,26,27,28	2301-000449	C-FILM,PEF;47NF,10%,50V,8X11X4.5MM,	
PC11	2301-000464	C-FILM,PEF;6.8NF,5%,50V,5.5X7X3MM,5	
PC20,22	2303-000312	C-FILM,PPF;100NF,5%,63V,7.5X12.5X3.	A1102-0164
PCE17	2401-000419	C-AL;10UF,20%,16V,GP,5X11,2.5MM,	
PCE25,26,27	2401-000475	C-AL;10UF,20%,50V,GP,5*11,2MM,	11608-106-100
PCE8,9	2401-000722	C-AL;2200UF,20%,25V,WT,16*25MM,7.5M	
PCE20,21	2401-001355	C-AL;470UF,20%,10V,GP,8X11.5,5MM,	
PCE22	2401-001465	C-AL;47UF,20%,10V,GP,5*11,2MM,	11608-102-473
PCE3	2401-001583	C-AL;47UF,20%,50V,WT,6.3X11,2.5MM,T	
PCE11,4	2401-001882	C-AL;1000UF,20%,16V,LZ,10X20,-,	A1104-0751
PCE5,6	2401-001884	C-AL;1000UF,20%,25V,LZ,12.5X25,-,	A1104-0753
PCE7	2401-001902	C-AL;100UF,20%,50V,GP,11X6,-,	A1104-0750
PCE13,14,16,23,23A	2401-001969	C-AL;470UF,20%,25V,GP,10X12MM,5MM,T	11608-104-471
PCE2	2401-002180	C-AL;2.2UF,0.2,50V,GP,5X11,5MM,TP	
PF1	3602-000147	FUSE-CLIP;250V,7.5A,30MOHM	13164-101-913
PCW1	3711-000190	CONNECTOR-HEADER;1WALL,2P,1R,7.92MM	13349-156-020
PCW5	3711-000820	CONNECTOR-HEADER;BOX,2P,1R,2.5MM,ST	13349-512-561
PR10,11	A1004-0463	R-METAL OXIDE;RS 1 T 124-J	
PIC3	AC14-12006D	IC;KA431Z,TO-92,TAPING	
PIC1	AC14-12014M	IC-S/W REGU;FA5311,DIP,STICK	
PL2,3,7	AC27-92001M	INDUCTOR;70UH-M RT BFS3565R2F,-,-,-	
PT1	AH26-20020B	TRANS-SWITCHING;-;220V,CCIB,CCEE,EE	
PL4,5	AH27-10001R	COIL-CHOKE;10UH,K,Q80,-,-,-,-,-,	A1130-0077
PL1	AH29-30001B	FILTER-LINE;20MH,-,	A1151-0001
PL6	AH29-30001C	FILTER-LINE;12MH-18MH,500UH,	A1151-0025

Loc No	New Parts	Description ; Specification	Ald Parts
A	AH39-50001A	LEAD-FASTEN;;1007#24,80MM,BLK	13059-101-083
AH90-40303B ASSY-OPT PCB SMPS;DV7620KV,CHN			
PD9	0404-000128	DIODE-SCHOTTKY;FMB-G14L,45V,5A,TO-2	B4112-0021
PCE1	2401-001901	C-AL;100UF,20%,400V,-,22X30,-,	A1104-0756
PCE10,12,15	2401-001924	C-AL;2200UF,20%,16V,LZ,22X30,-,	A1104-0755
FUSE	3601-000170	FUSE-FERRULE;250V,1.6A,TIME LAG,GLA	14709-241-240
PCW4	3711-001199	CONNECTOR-HEADER;NOWALL,10P,1R,2.0M	13349-169-101
POWER-CORD	AH39-10002Y	POWER-CORD;CP2,KLCE-2F,2.15M,5239,V	A6006-0293
PCW3	AH39-20018Q	LEAD-CONNECTOR ASS'Y;5264,51088,13P	16439-0102-00
PCW2	AH39-20018S	LEAD-CONNECTOR ASS'Y;5264,51088,18P	16439-0104-00
AH90-10669A ASSY-PCB VCD;DV5620KV,CHN			
KZD1,2,VZD2	0403-000344	DIODE-ZENER;UZ3.9B,3.9V,3.7-4.1V,50	12169-403-490
KD1,2,4,VD1	0407-000101	DIODE-ARRAY;DA204K,20V,100MA,C2-3,S	A4100-0032
VQ3,6	0501-000314	TR-SMALL SIGNAL;- ,PNP,150MW,SOT-23,	11139-801-022
AQ1,2,3,4,KQ2,VQ4,7	0501-000341	TR-SMALL SIGNAL;- ,NPN,200MW,SOT-23,	11139-801-032
VIC3	0502-000425	TR-POWER;2SD2395-F,NPN,60V,50V,3A,2	B4052-0087
VQ2	0504-000128	TR-DIGITAL;NPN,200MW,22K-22KOHM,SOT	11139-801-182
KQ1,VQ1,5	0504-000156	TR-DIGITAL;PNP,200MW,22K-22KOHM,SOT	11139-801-101
VIC3	0801-000305	IC-CMOS LOGIC;7SU04,INVERTER,SOP,5P	B4004-0199
VIC13	0801-000442	IC-CMOS LOGIC;74HCU04,INVERTER,SOP,	A4004-0258
VIC1	0803-000272	IC-TTL;74F04,INVERTER,SOP,14P,150MI	
VIC11	1001-000200	IC-VIDEO SWITCH;NJM2234M,3-INPUT,SO	
AIC100	1002-000169	IC-D/A CONVERTER;PCM1710U,16BIT,SOP	B4012-0381
VIC101	1002-000172	IC-D/A CONVERTER;KDA0408,8BIT,QFP,4	A4012-0308
VIC1	1101-000150	IC-PROM;27C256B,32KX8BIT,DIP,28P,60	
VIC108	1105-000141	IC-DRAM;416C256,256K*16BIT,SOJ,40P,	A4000-0083
VIC106	1105-000156	IC-DRAM;44C256C,256K*4BIT,SOJ,20P,3	A4000-0063
AIC1,3,101,102,KIC101,102	1201-000163	IC-OP AMP;4560,SOP,8P,150MIL,DUAL,1	12119-401-300
MIC1	1204-000143	IC-ENCODER;MC13077,SOP,20P,-,PLASTI	B4012-0347
VIC100	1204-000361	IC-DECODER;CL480,QFP,128P,-,PLASTIC	
VR170	2007-000001	R-CHIP;68KOHM,5%,1/10W,DA,TP,2012	11119-101-683
VR28	2007-000023	R-CHIP;120OHM,5%,1/10W,DA,TP,2012	11119-201-121
VR140	2007-000267	R-CHIP;1.8KOHM,5%,1/10W,DA,TP,2012	11119-101-182
VR69,131,157,158	2007-000282	R-CHIP;100KOHM,5%,1/10W,DA,TP,2012	11119-101-104
VR6,7,8,9,11,12,13,14,15	2007-000290	R-CHIP;100OHM,5%,1/10W,DA,TP,2012	11119-101-101
VR16,17,18,19,20,21,22,23			
VR24,25,26,27,103,104			
VR105,106,121,145,146			
VR148,149			
VR73,74,122,169,101,102	2007-000300	R-CHIP;10KOHM,5%,1/10W,DA,TP,2012	11119-101-103
VR117,118,119			
VR49,132,156	2007-000355	R-CHIP;12KOHM,5%,1/10W,DA,TP,2012	11119-101-123
VR32,33,109	2007-000449	R-CHIP;180OHM,5%,1/10W,DA,TP,2012	11119-101-181
VR29,30,31,34,36,43,45	2007-000468	R-CHIP;1KOHM,5%,1/10W,DA,TP,2012	11119-101-102
VR46,47,48,71,72,76,78			
VR108,123,125,128,176			
VR120,133,134	2007-000477	R-CHIP;1MOHM,5%,1/10W,DA,TP,2012	11119-101-105
VR129	2007-000565	R-CHIP;220KOHM,5%,1/10W,DA,TP,2012	11119-101-224
VR41,136,137,141,142	2007-000572	R-CHIP;220OHM,5%,1/10W,DA,TP,2012	11119-101-221
VR50,153	2007-000615	R-CHIP;24KOHM,5%,1/10W,DA,TP,2012	A1020-0067
VR68	2007-000635	R-CHIP;270KOHM,5%,1/10W,DA,TP,2012	11119-101-274
VR127,135	2007-000671	R-CHIP;2KOHM,5%,1/10W,DA,TP,2012	A1020-0054
VR10	2007-000686	R-CHIP;3.3KOHM,5%,1/10W,DA,TP,2012	11119-101-332
VR70	2007-000778	R-CHIP;330KOHM,5%,1/10W,DA,TP,2012	11119-101-334
VR37,174	2007-000872	R-CHIP;4.7KOHM,5%,1/10W,DA,TP,2012	11119-101-472
VR42	2007-000931	R-CHIP;470OHM,5%,1/10W,DA,TP,2012	11119-101-471
VR54,67,143,152,162	2007-000941	R-CHIP;47KOHM,5%,1/10W,DA,TP,2012	11119-101-473

Loc No	New Parts	Description ; Specification	Ald Parts
VR154			
VR35,182	2007-000981	R-CHIP;5.6KOHM,5%,1/10W,DA,TP,2012	11119-101-562
VR1,2,3	2007-001039	R-CHIP;56KOHM,5%,1/10W,DA,TP,2012	11119-101-563
VR147,151	2007-001043	R-CHIP;56OHM,5%,1/10W,DA,TP,2012	11119-101-560
VR38,40,171,173	2007-001071	R-CHIP;6.8KOHM,5%,1/10W,DA,TP,2012	11119-101-682
VR138,139	2007-001166	R-CHIP;75OHM,5%,1/10W,DA,TP,2012	A1020-0121
VR160	2007-001195	R-CHIP;820KOHM,5%,1/10W,DA,TP,2012	11119-101-824
VR39,144,150,172	2007-001239	R-CHIP;910OHM,5%,1/10W,DA,TP,2012	A1020-0132
VC4,5,6,7,11,12,13,14	2203-000206	C-CERAMIC,CHIP;100NF,10%,50V,X7R,20	11129-014-104
VC100,101,102,103,104,109			
VC110,111,120,124,128,133			
VC129,130,131,134,135			
VC23,25			
VC115	2203-000239	C-CERAMIC,CHIP;100PF,5%,50V,NPO,201	11129-009-101
VC17,18,20,21,116	2203-000260	C-CERAMIC,CHIP;10NF,10%,50V,X7R,201	11129-004-103
VC16	2203-000363	C-CERAMIC,CHIP;150PF,5%,50V,NPO,201	
VC121,122,123	2203-000391	C-CERAMIC,CHIP;15PF,5%,50V,NPO,3216	11129-008-150
VC22	2203-000408	C-CERAMIC,CHIP;180PF,5%,50V,NPO,201	11129-008-181
VC38	2203-000417	C-CERAMIC,CHIP;18NF,10%,50V,X7R,201	11129-004-183
VC107,108	2203-000429	C-CERAMIC,CHIP;18PF,5%,50V,NPO,2012	11129-008-180
VC106	2203-000575	C-CERAMIC,CHIP;220NF,10%,50V,X7R,20	11129-004-224
VC119	2203-000609	C-CERAMIC,CHIP;22NF,10%,50V,X7R,201	11129-004-223
VC39	2203-000749	C-CERAMIC,CHIP;30PF,5%,50V,NPO,2012	11129-009-300
VC1,2			
VC159	2203-000787	C-CERAMIC,CHIP;330PF,5%,50V,NPO,201	
VC15	2203-000953	C-CERAMIC,CHIP;470PF,5%,50V,NPO,201	11129-004-471
VC105	2203-000979	C-CERAMIC,CHIP;47NF,10%,50V,X7R,201	
VC10,113	2203-001214	C-CERAMIC,CHIP;8.2NF,10%,50V,X7R,20	11129-004-822
VC9,112	2203-001230	C-CERAMIC,CHIP;820PF,5%,50V,NPO,201	A1100-0760
VC23,114	2203-001537	C-CERAMIC,CHIP;1NF,10%,50V,X7R,2012	
VC117,118	2203-001684	C-CERAMIC,CHIP;68PF,5%,50V,X7R,2012	
VCE1,6,11,12,16,17	2401-000243	C-AL;100UF,20%,10V,GP,6.3*5,2.5MM,T	11608-152-101
VCE2,7,9,KCE6,18			
VCE5,KCE3,17	2401-000407	C-AL;10UF,20%,16V,GP,3.5*5,-,TP	11608-173-100
KCE5,VCE13,14	2401-000588	C-AL;1UF,20%,50V,GP,3*5,1MM,TP	11608-106-109
KCE4,8,9,14,15,VCE8	2401-000909	C-AL;22UF,20%,16V,GP,5*5,2MM,TP	11608-153-220
KCE16			
VCE4,15,18	2401-001238	C-AL;4.7UF,20%,25V,GP,3*5,1MM,TP	11608-154-479
VCE3	2401-001324	C-AL;470NF,20%,50V,GP,3*5,1MM,TP	11608-106-478
VCE23,24,20	2401-002183	C-AL;220UF,0.2,16V,GP,8X9,5MM,TP	
VL5,10,11,101	2703-000398	INDUCTOR-SMD;10UH,10%,3.2X2.5X2.2MM	
VXC1	2801-000286	CRYSTAL-UNIT;40.5MHZ,50PPM,28-AAM,2	A1280-0197
VXC3	2802-000108	RESONATOR-CERAMIC;12MHZ,0.5%,BK,10.	14539-503-130
VL1,2,3,4,100	3301-000325	CORE-FERRITE BEAD;AB,3.2X2.5X1.3MM,	B1144-0034
VIC1	3704-000241	SOCKET-IC;28P,DIP,SN,2.54MM	A3045-0018
VDL1	4711-000107	DELAY LINE;175NS/200KHZ,4.43MHZ,-,T	B1146-0011
AIC2,103	AH14-10004G	IC;NJU4053BM,SOP,	
VIC12	B4004-0337	IC-LOGIC;TC4W53F-TE12L SOP 8P	

AH90-40352A ASSY-OPT PCB VCD;DV5620KV,CHN

VIC2	1204-000378	IC-OSD PROCESSOR;KS5514B,DIP,24P,30	
KICO1	1204-000393	IC-SOUND CONT.;BA3837,DIP,16P,300MI	
VR75	2007-000029	R-CHIP;0OHM,5%,1/10W,DA,TP,2012	11119-101-000
VR107	2007-000468	R-CHIP;1KOHM,5%,1/10W,DA,TP,2012	11119-101-102
VR51,155	2007-001071	R-CHIP;6.8KOHM,5%,1/10W,DA,TP,2012	11119-101-682
VR52,53	2007-001177	R-CHIP;8.2KOHM,5%,1/10W,DA,TP,2012	11119-101-822
VXC4	2801-000155	CRYSTAL-UNIT;14.31818MHZ,50PPM,28-A	A1280-0199
VXC4A	2801-000185	CRYSTAL-UNIT;17.734475MHZ,50PPM,28-	A1280-0122
VCW4	3711-000588	CONNECTOR-HEADER;BOX,10P,1R,2.5MM,S	13349-103-103
VIC4	3711-000820	CONNECTOR-HEADER;BOX,2P,1R,2.5MM,ST	13349-512-561

Electric Parts List

Loc No	New Parts	Description ; Specification	Ald Parts
VCW6	3711-000827	CONNECTOR-HEADER;BOX,2P,1R,2MM,STRA	13349-119-020
VCW2,5	3711-001018	CONNECTOR-HEADER;BOX,5P,1R,2MM,STRA	13349-119-050
KCW1	3711-001062	CONNECTOR-HEADER;BOX,6P,1R,2MM,STRA	13349-119-060
VCW1	3711-001102	CONNECTOR-HEADER;BOX,7P,1R,2MM,STRA	13349-119-070
VJ1	3722-000390	JACK-RCA;9P/6C,3.5MM,SN,BLK,#16~22	A3040-0234
VIC102	AH09-10061D	IC-MASK ROM;LC86P5032A,64P,QFP	