

YAMAHA

YAMAHA CORPORATION
P.O. BOX 1, HAMAMATSU, JAPAN

Hi-Fi Stereo

SERVICE NEWS

CDV-1600, CDV-1100
CDV-1200K, CDV-1000

BULLETIN No. : E-553

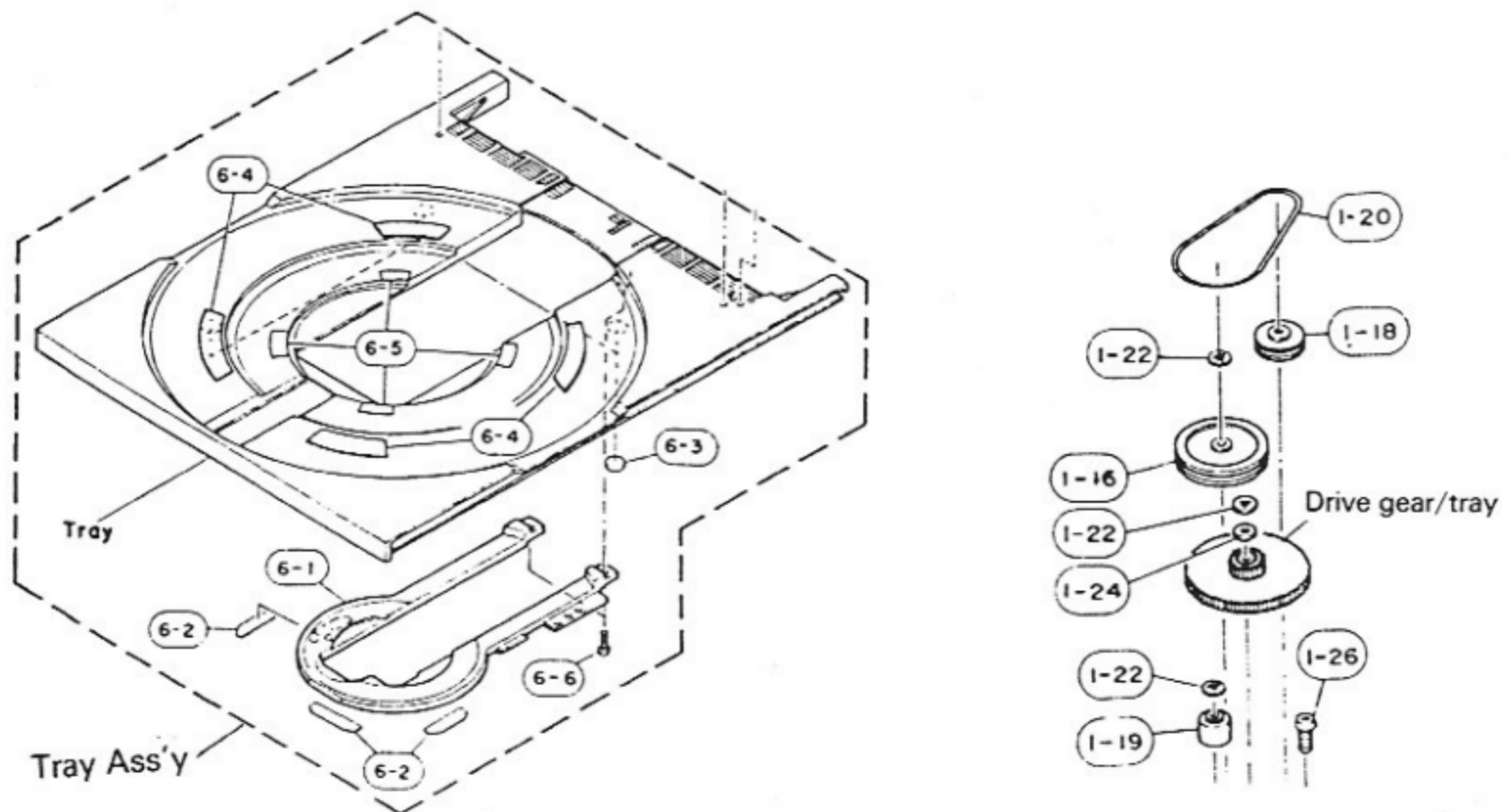
DATE: October, 1991

Introducing the Improved Durability of Tray Rack Gear

[Purpose] The tray does not open or close smoothly due to the nick or crack of the rack gear. Even when the tray is replaced, this symptom occurs again in one year or so.

[Modification] we have made test production and experiment for durability improvement. As a result, we have come to manufacture the products with durability improved approximately three times.

Note: The difference is the use of plastic materials and the number of gears. So the drive gear/tray must be replaced when the tray assembly is replaced.



[Parts]

Old

Model	Part No.	Description
CDV-1600 CDV-1100 CDV1200K	VF803100	Tray Ass'y
CDV-1000	VD901400	Tray Ass'y
Common	VH113100	Gear/tray drive

New

Part No.	Description
VL748000	Tray Ass'y
VL748300	Tray Ass'y
VL372200	Gear/tray drive

