

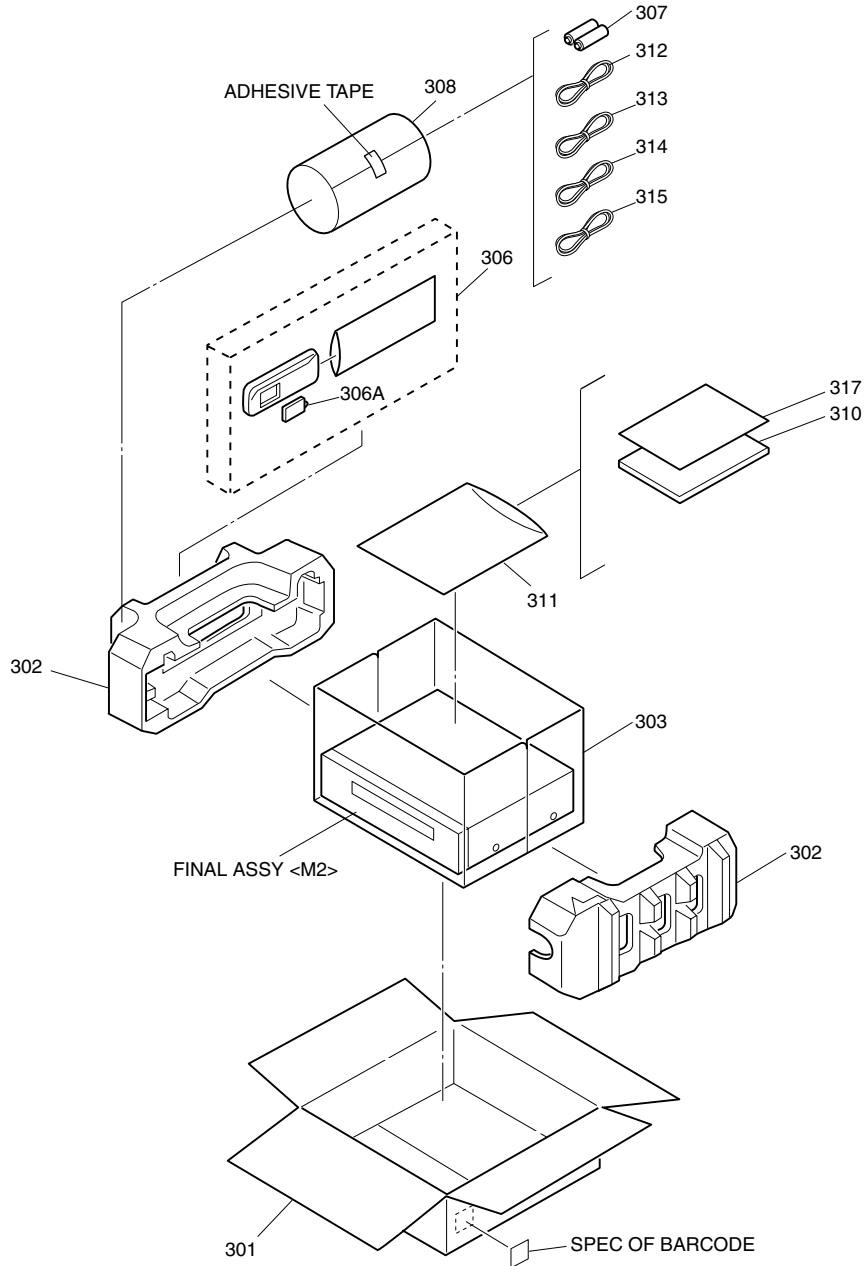
SECTION 5 PARTS LIST

SAFETY PRECAUTION

Parts identified by the \triangle symbol are critical for safety. Replace only with specified part numbers.

5.1 PACKING AND ACCESSORY ASSEMBLY <M1>

The instruction manual to be provided with this product will differ according to the destination.



# \triangle REF No.	PART No.	PART NAME, DESCRIPTION	# \triangle REF No.	PART No.	PART NAME, DESCRIPTION

PACKING AND ACCESSORY ASSEMBLY <M1>					
301	LP30943-001A	PACKING CASE	308	QPC02202230P	POLY BAG
302	LP30536-002A	CUSHION ASSY	\triangle 310	LPT0504-001A	INST.BOOK(EN)
303	PQM30021-103	POLY BAG	\triangle	LPT0504-002A	INST.BOOK(FR),S7900U(C)
306	LP20303-015A	REMOTE CONTROLLER	311	QPC02503530P	POLY BAG
306A	LP40225-002A	COVER(BATTERY)	312	PEAC0294-04	RF CABLE
307	-	BATTERY,X2("AA" TYPE)	313	QAM0004-002	S CABLE
			314	QAM0174-001	CABLE ASSY(AUDIO/VIDEO)
			315	QAL0095-005	LED CABLE ASSY
			317	BT-51020-2	REGIST.CARD

△ REF No. PART No. PART NAME, DESCRIPTION

△ REF No. PART No. PART NAME, DESCRIPTION

FINAL ASSEMBLY <M2>

△ 501	LP10289-064C	FRONT PANEL ASSY
501A	LP20868-005A	CASSETTE DOOR
501B	PQ46448	TORSION SPRING
501C	LP20869-094B	DISPLAY WINDOW
501D	LP21014-001C	ORNAMENT
△ 502	LP10013-057B	TOP COVER
503	QYTDSF3010M	SCREW,X4 TOP COVER(SIDE)
504	QYTDSF3010M	SCREW,TOP COVER(REAR)
505	LP20981-012A	DRUM SUB ASSY
505E	LP40323-001A	CONTACT
505F	LP30004-014A	COMPRESSION SPRING
506	PDZ0179-1-4	ROTOR ASSY
507	QYSPSP3006Z	SCREW,X2
△ 508	QAR0169-002	STATOR ASSY
509	QYSPSPH2606Z	SCREW,X2
510	QYTDST2610Z	SCREW,X3 DRUM
△ 511	LP10108-012F	BOTTOM CHASSIS
513	LP30312-001B	BRACKET(CHASSIS)
514	QYTDSF3010Z	SCREW,X2
515	QYTDSF4012Z	SCREW,MECHA
516	QYTDSF3010Z	SCREW,X2 MECHA
519	LP40407-001A	KNOB ASSY
524	LP40253-001B	STOPPER
525	PQ40413	SPECIAL SCREW,MECHA
526	LP30002-088B	SPACER,SHIELD FRAME
527	QYWWS267505Z	WASHER
528	LP30017-021A	SPACER
529	LP30954-001A	KNOB ASSY, FRONT
530	QYTDSF3010Z	SCREW,MAIN
531	QYTDSF2608Z	SCREW,X2 S JACK
532	QYTDSF2608Z	SCREW,X2 ADV.JOG
533	LP10389-001B	SIDE PANEL(L)
534	LP10390-001B	SIDE PANEL(R)
WR1	QUQ212-0518CG	FFC WIRE,DRUM CN3002
WR2	WJT0005-002A	E-CARD WIRE,A/C HEAD CN2001
WR3	QUQ112-0914CG	FFC WIRE,FRONT CN7001
WR4	WJT0026-001A	E-CARD WIRE,S(FSA) CN7103

5.3 ELECTRICAL PARTS LIST

#	△ REF No.	PART No.	PART NAME, DESCRIPTION

3D DIGITAL/2M BOARD ASSEMBLY <05>			
PW1	LPA10105-02A		3D DIGITAL/2M BOARD ASSY
IC1401	JCP8026		IC
Q1401	2SC1317/RS/-T		TRANSISTOR
Q1402	2SA1576A/QR/-X or 2PA1576/R/-X		TRANSISTOR
Q1403	2SA1576A/QR/-X or 2PA1576/R/-X		TRANSISTOR
Q1406	2SA1576A/QR/-X or 2PA1576/R/-X		TRANSISTOR
Q1407	2SA1576A/QR/-X or 2PA1576/R/-X		TRANSISTOR
Q1408	2SC4081/S/-X		TRANSISTOR
Q1410	2SC4081/QRS/-X or 2PC4081/R/-X		TRANSISTOR
Q1412	2SC4081/QRS/-X or 2PC4081/R/-X		TRANSISTOR
Q1413	2SA1576A/QR/-X or 2PA1576/R/-X		TRANSISTOR
Q1414	DTC144WU or RN1309 or UN521E		TRANSISTOR
Q1417	2SC4081/QRS/-X or 2PC4081/R/-X		TRANSISTOR
Q1418	2SA1576A/QR/-X or 2PA1576/R/-X		TRANSISTOR
Q1419	DTC124TU		TRANSISTOR
Q1420	2SC4081/QRS/-X or 2PC4081/R/-X		TRANSISTOR
D1401	RD4.3ES/B2/-T2 or MTZJ4.3B		ZENER DIODE
D1402	1SS133 or 1N4148M		DIODE
R1401	NRSA02J-181X		MG RESISTOR 180Ω,1/10W
R1402	NRSA02J-101X		MG RESISTOR 100Ω,1/10W
R1404	NRSA02J-182X		MG RESISTOR 1.8kΩ,1/10W
R1406	NRSA02J-471X		MG RESISTOR 470Ω,1/10W
R1407	NRSA02J-272X		MG RESISTOR 2.7kΩ,1/10W
R1410	NRSA02J-241X		MG RESISTOR 240Ω,1/10W
R1411	NRSA02J-152X		MG RESISTOR 1.5kΩ,1/10W
R1413	NRSA02J-471X		MG RESISTOR 470Ω,1/10W
R1414	NRSA02J-821X		MG RESISTOR 820Ω,1/10W
R1415	NRSA02J-221X		MG RESISTOR 220Ω,1/10W
R1416	NRSA02J-104X		MG RESISTOR 100kΩ,1/10W
R1417	NRSA02J-101X		MG RESISTOR 100Ω,1/10W
R1418	NRSA02J-471X		MG RESISTOR 470Ω,1/10W
R1421	NRSA02J-331X		MG RESISTOR 330Ω,1/10W
R1426	NRSA02J-561X		MG RESISTOR 560Ω,1/10W
R1427	NRSA02J-333X		MG RESISTOR 33kΩ,1/10W
R1428	NRSA02J-393X		MG RESISTOR 39kΩ,1/10W
R1429	NRSA02J-152X		MG RESISTOR 1.5kΩ,1/10W
R1430	NRSA02J-222X		MG RESISTOR 2.2kΩ,1/10W
R1431	NRSA02J-821X		MG RESISTOR 820Ω,1/10W
R1432	NRSA02J-182X		MG RESISTOR 1.8kΩ,1/10W
R1433	NRSA02J-510X		MG RESISTOR 51Ω,1/10W
R1434	NRSA02J-153X		MG RESISTOR 15kΩ,1/10W
R1435	NRSA02J-223X		MG RESISTOR 22kΩ,1/10W
R1436	NRSA02J-682X		MG RESISTOR 6.8kΩ,1/10W

#	△ REF No.	PART No.	PART NAME, DESCRIPTION
R1437	NRSA02J-392X		MG RESISTOR 3.9kΩ,1/10W
R1438	NRSA02J-473X		MG RESISTOR 47kΩ,1/10W
R1439	NRSA02J-273X		MG RESISTOR 27kΩ,1/10W
R1440	NRSA02J-473X		MG RESISTOR 47kΩ,1/10W
R1441	NRSA02J-682X		MG RESISTOR 6.8kΩ,1/10W
R1442	NRSA02J-682X		MG RESISTOR 6.8kΩ,1/10W
R1446	NRSA02J-102X		MG RESISTOR 1kΩ,1/10W
R1447	NRSA02J-102X		MG RESISTOR 1kΩ,1/10W
R1448	NRSA02J-102X		MG RESISTOR 1kΩ,1/10W
R1449	NRSA02J-102X		MG RESISTOR 1kΩ,1/10W
R1450	NRSA02J-102X		MG RESISTOR 1kΩ,1/10W
R1452	NRSA02J-471X		MG RESISTOR 470Ω,1/10W
R1453	NRSA02J-102X		MG RESISTOR 1kΩ,1/10W
R1454	NRSA02J-102X		MG RESISTOR 1kΩ,1/10W
R1455	NRSA02J-681X		MG RESISTOR 680Ω,1/10W
R1458	NRSA02J-681X		MG RESISTOR 680Ω,1/10W
R1459	NRSA02J-681X		MG RESISTOR 680Ω,1/10W
R1460	NRSA02J-273X		MG RESISTOR 27kΩ,1/10W
R1461	NRSA02J-121X		MG RESISTOR 120Ω,1/10W
R1463	NRSA02J-101X		MG RESISTOR 100Ω,1/10W
VR1401	QVZ3521-103Z		V RESISTOR
B1412	NRSA02J-0R0X		MG RESISTOR 0Ω,1/10W
C1401	QEKJ1CM-336		E CAPACITOR 33μF,16V
C1402	NCB21HK-103X		CAPACITOR 0.01μF,50V
C1403	QEKJ0JM-337		E CAPACITOR 330μF,6.3V
C1404	NCF21EZ-104X		CAPACITOR 0.1μF,25V
C1405	NCF21EZ-104X		CAPACITOR 0.1μF,25V
C1406	NCB21HK-103X		CAPACITOR 0.01μF,50V
C1407	NDC21HJ-680X		CAPACITOR 68pF,50V
C1408	NDC21HJ-330X		CAPACITOR 33pF,50V
C1410	QEKJ1EM-475		E CAPACITOR 4.7μF,25V
C1411	NCF21EZ-104X		CAPACITOR 0.1μF,25V
C1412	NDC21HJ-680X		CAPACITOR 68pF,50V
C1413	NDC21HJ-330X		CAPACITOR 33pF,50V
C1415	NCF21EZ-104X		CAPACITOR 0.1μF,25V
C1416	QEKJ1CM-106		E CAPACITOR 10μF,16V
C1417	NCF21EZ-104X		CAPACITOR 0.1μF,25V
C1421	NDC21HJ-330X		CAPACITOR 33pF,50V
C1422	NDC21HJ-680X		CAPACITOR 68pF,50V
C1423	NCF21EZ-104X		CAPACITOR 0.1μF,25V
C1424	NCB21HK-103X		CAPACITOR 0.01μF,50V
C1425	NCB21HK-103X		CAPACITOR 0.01μF,50V
C1426	NDC21HJ-390X		CAPACITOR 39pF,50V
C1428	NDC21HJ-220X		CAPACITOR 22pF,50V
C1429	QEKJ0JM-337		E CAPACITOR 330μF,6.3V
C1430	NCF21EZ-104X		CAPACITOR 0.1μF,25V
C1432	NCF21CZ-105X		CAPACITOR 1μF,16V
C1433	NCF21EZ-104X		CAPACITOR 0.1μF,25V
C1435	NCF21EZ-104X		CAPACITOR 0.1μF,25V
C1436	NCF21EZ-104X		CAPACITOR 0.1μF,25V
C1437	NCF21EZ-104X		CAPACITOR 0.1μF,25V
C1438	NCF21EZ-104X		CAPACITOR 0.1μF,25V
C1439	NCF21CZ-105X		CAPACITOR 1μF,16V
C1440	NCF21EZ-104X		CAPACITOR 0.1μF,25V
C1441	NCF21EZ-104X		CAPACITOR 0.1μF,25V
C1442	NCF21CZ-105X		CAPACITOR 1μF,16V
C1444	NCF21EZ-104X		CAPACITOR 0.1μF,25V
C1445	NCF21EZ-104X		CAPACITOR 0.1μF,25V
C1446	QEKJ0JM-107		E CAPACITOR 100μF,6.3V
C1447	NCF21EZ-104X		CAPACITOR 0.1μF,25V
C1448	QEKJ0JM-337		E CAPACITOR 330μF,6.3V

#	△	REF No.	PART No.	PART NAME, DESCRIPTION		#	△	REF No.	PART No.	PART NAME, DESCRIPTION
		C1449	NCF21EZ-104X	CAPACITOR	0.1μF,25V					
		C1450	NCF21EZ-104X	CAPACITOR	0.1μF,25V					
		C1451	QEKJ1EM-475	E CAPACITOR	4.7μF,25V					
		C1452	NCF21EZ-104X	CAPACITOR	0.1μF,25V					
		C1453	NCF21EZ-104X	CAPACITOR	0.1μF,25V					
		C1454	NCF21EZ-104X	CAPACITOR	0.1μF,25V					
		C1455	NCF21EZ-104X	CAPACITOR	0.1μF,25V					
		C1459	NDC21HJ-470X	CAPACITOR	47pF,50V					
		C1460	NDC21HJ-470X	CAPACITOR	47pF,50V					
		C1461	NDC21HJ-470X	CAPACITOR	47pF,50V					
		C1462	NDC21HJ-470X	CAPACITOR	47pF,50V					
		C1463	QEKJ0JM-336	E CAPACITOR	33μF,6.3V					
		C1465	NDC21HJ-470X	CAPACITOR	47pF,50V					
		C1466	NDC21HJ-470X	CAPACITOR	47pF,50V					
		C1467	NDC21HJ-470X	CAPACITOR	47pF,50V					
		C1468	NDC21HJ-101X	CAPACITOR	100pF,50V					
		C1471	NCF21EZ-104X	CAPACITOR	0.1μF,25V					
		C1472	NCF21EZ-104X	CAPACITOR	0.1μF,25V					
		C1473	NCF21EZ-104X	CAPACITOR	0.1μF,25V					
		L1401	QQL29BJ-100Z	COIL	10μH					
		L1402	QQL071J-6R8Y	COIL	6.8μH					
		L1403	QQL071J-6R8Y	COIL	6.8μH					
		L1404	QQL071J-6R8Y	COIL	6.8μH					
		L1405	QQL29BJ-100Z	COIL	10μH					
		L1406	QQL071J-330Y	COIL	33μH					
		L1407	QQL29BJ-100Z	COIL	10μH					
		LC1401	QQR0657-013Z	NOISE FILTER						
		LC1402	QQR0657-010Z	NOISE FILTER						
		SD1	LP30706-001C	SHIELD FRAME(S-VHS)						
		SD2	LP30684-001A	SHIELD CASE(S-VHS)						
		CN1401	QGG2502K1-17	HEADER PIN						